



US00D821386S

(12) **United States Design Patent** (10) **Patent No.:** **US D821,386 S**  
**Dou** (45) **Date of Patent:** **\*\* Jun. 26, 2018**

(54) **MINI PERSONAL COMPUTER**

(71) Applicant: **Kai Dou**, Guangdong (CN)

(72) Inventor: **Kai Dou**, Guangdong (CN)

(\*\*) Term: **15 Years**

(21) Appl. No.: **29/602,937**

(22) Filed: **May 4, 2017**

(51) **LOC (11) Cl.** ..... **14-02**

(52) **U.S. Cl.**  
 USPC ..... **D14/314**

(58) **Field of Classification Search**  
 USPC ..... D14/240, 300, 301, 308, 313, 314,  
 D14/348-356, 364-368, 441-446, 188;  
 D13/123, 158, 162, 184, 199;  
 312/223.1-223.3, 351.11;  
 360/99.01-99.12; 369/34.01-36.01;  
 361/679.31-679.33, 679.37, 679.39,  
 361/679.46, 679.53, 679.4, 679.41, 727  
 CPC . G06F 1/20; G06F 1/181; G06F 1/187; G06F  
 1/183; G06F 1/184; G06F 1/16; H05K  
 7/16; H05K 7/1424; H05K 7/1409; H05K  
 7/20; H05K 7/20545; H05K 7/20727;  
 H05K 7/1425; H05K 7/1488; H05K  
 7/183; H05K 7/14; H05K 5/00; H05K  
 7/00; H05H 7/20; G11B 33/126; G11B  
 33/128; G11B 33/08; G11B 33/02

See application file for complete search history.

(56) **References Cited**

U.S. PATENT DOCUMENTS

D525,968 S *	8/2006	Peng	.....	D14/300
D542,288 S *	5/2007	Andre	.....	D14/314
D596,626 S *	7/2009	Andre	.....	D14/240
D601,583 S *	10/2009	Andre	.....	D14/496
D648,270 S *	11/2011	Jiang	.....	D13/103
D667,411 S *	9/2012	Kim	.....	D14/434
D686,201 S *	7/2013	Lee	.....	D14/314
D726,690 S *	4/2015	Andre	.....	D14/217
D745,480 S *	12/2015	Mathews	.....	D14/125
D760,721 S *	7/2016	Akana	.....	D14/434
D765,073 S *	8/2016	Niizawa	.....	D14/356
D766,218 S *	9/2016	Yang	.....	D14/218
D769,366 S *	10/2016	Hiraguchi	.....	D18/12.1

\* cited by examiner

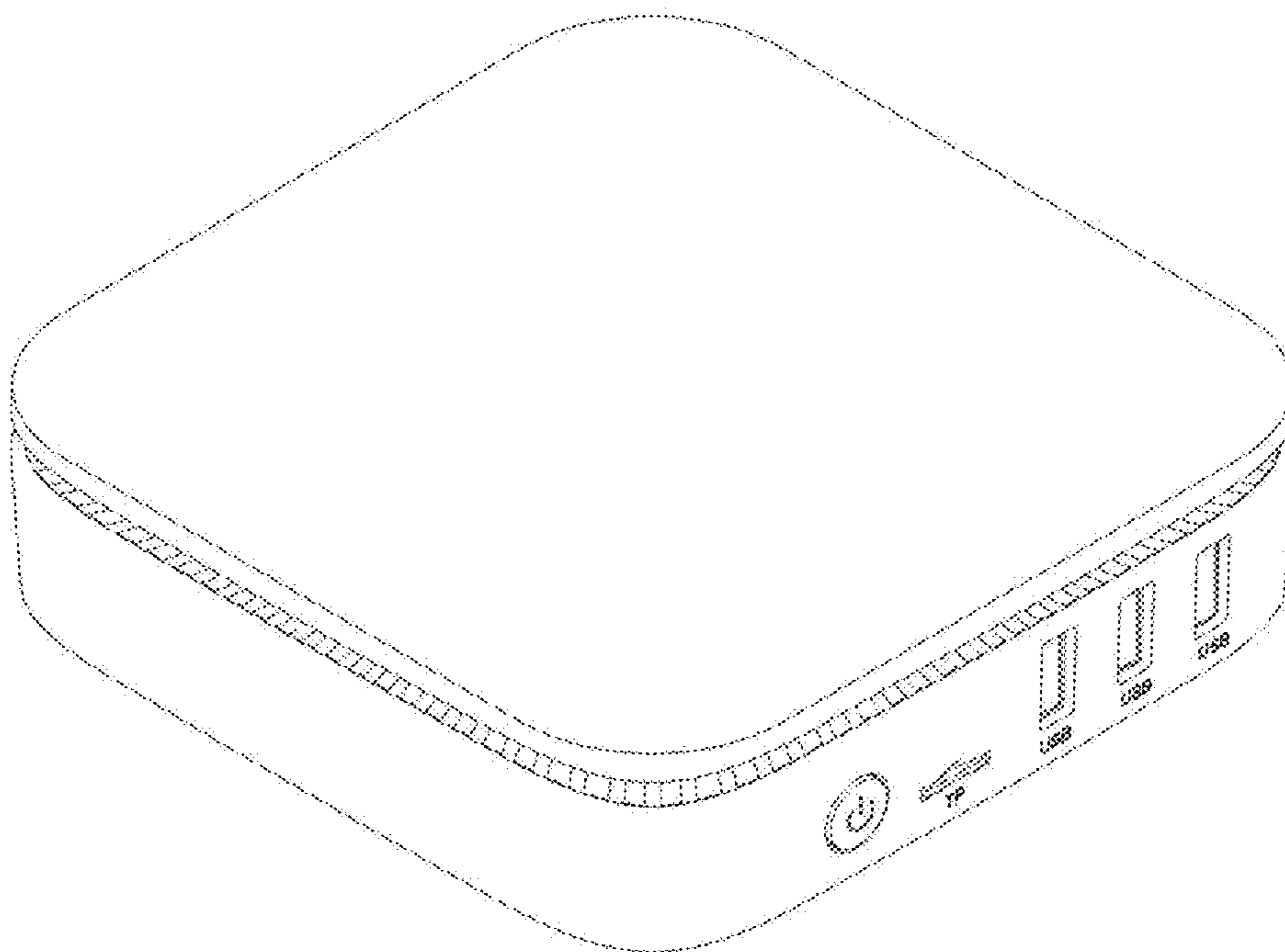
*Primary Examiner* — Freda S Nunn

(57) **CLAIM**  
 The ornamental design for a mini personal computer, as shown and described.

**DESCRIPTION**

FIG. 1 is a perspective view of a mini personal computer showing my new design;  
 FIG. 2 is a front elevational view thereof;  
 FIG. 3 is a rear elevational view thereof;  
 FIG. 4 is a left side elevational view thereof;  
 FIG. 5 is a right side elevational view thereof;  
 FIG. 6 is a top plan view thereof; and,  
 FIG. 7 is a bottom plan view thereof.

**1 Claim, 7 Drawing Sheets**



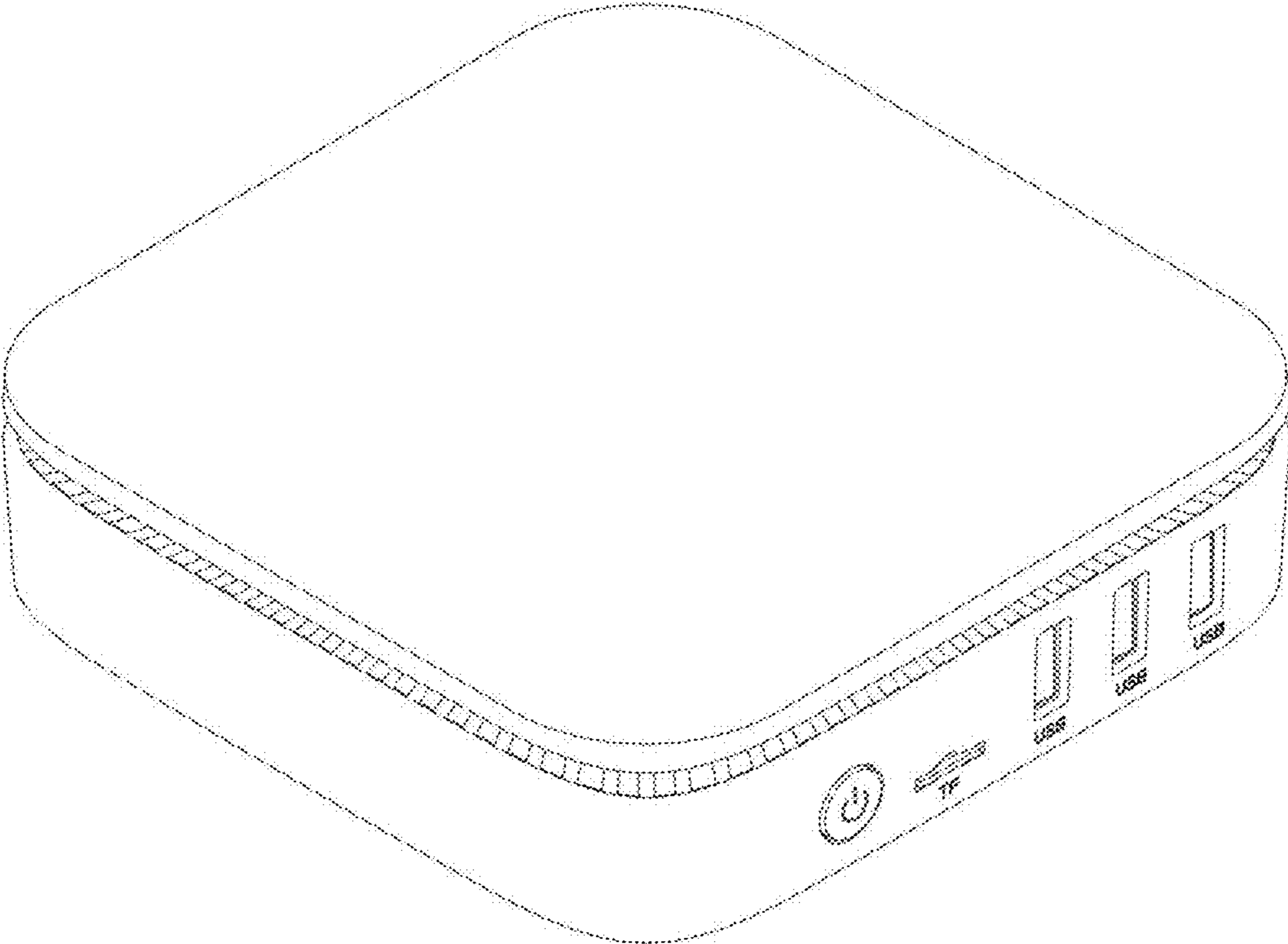


FIG.1

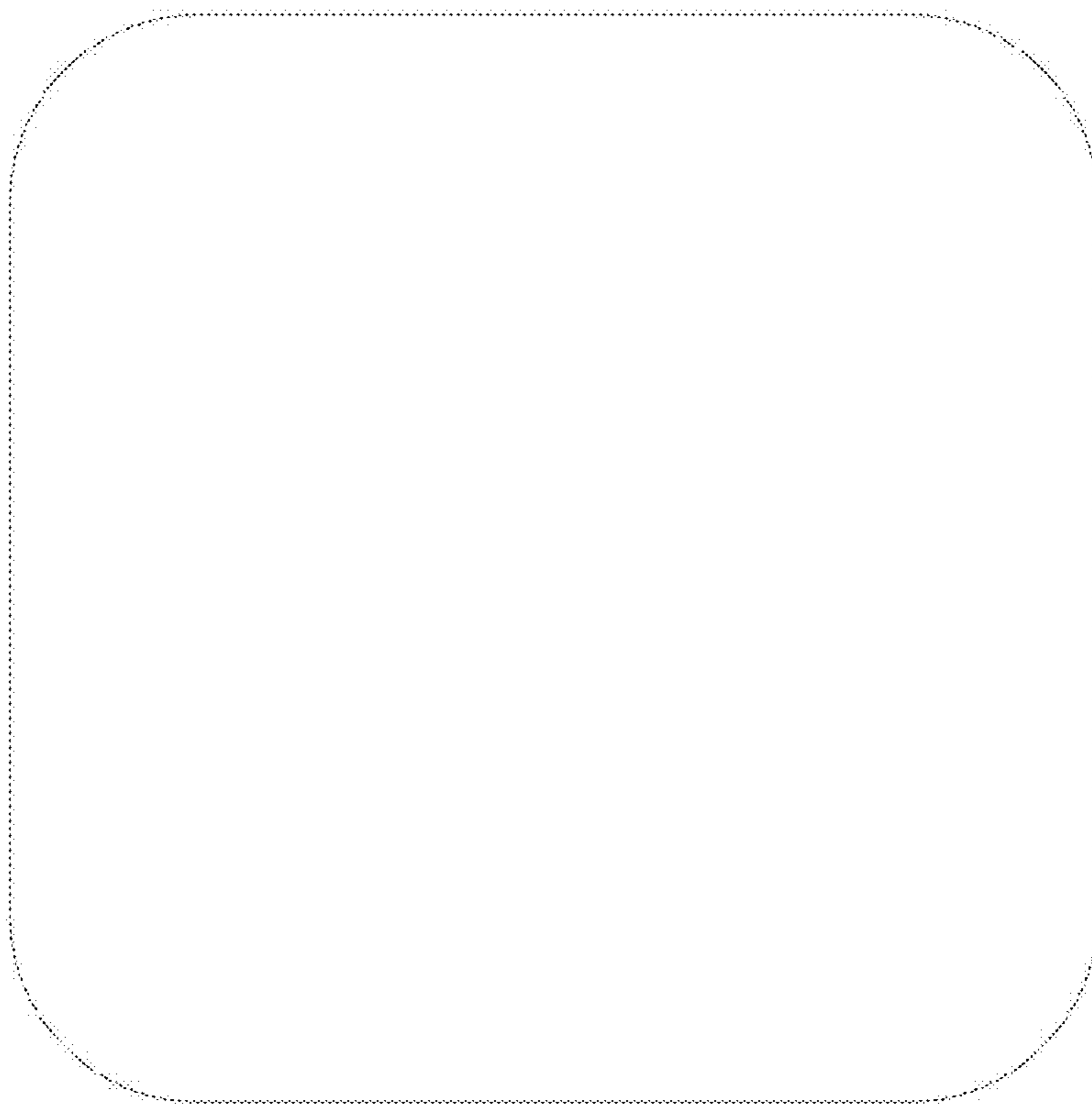


FIG.2

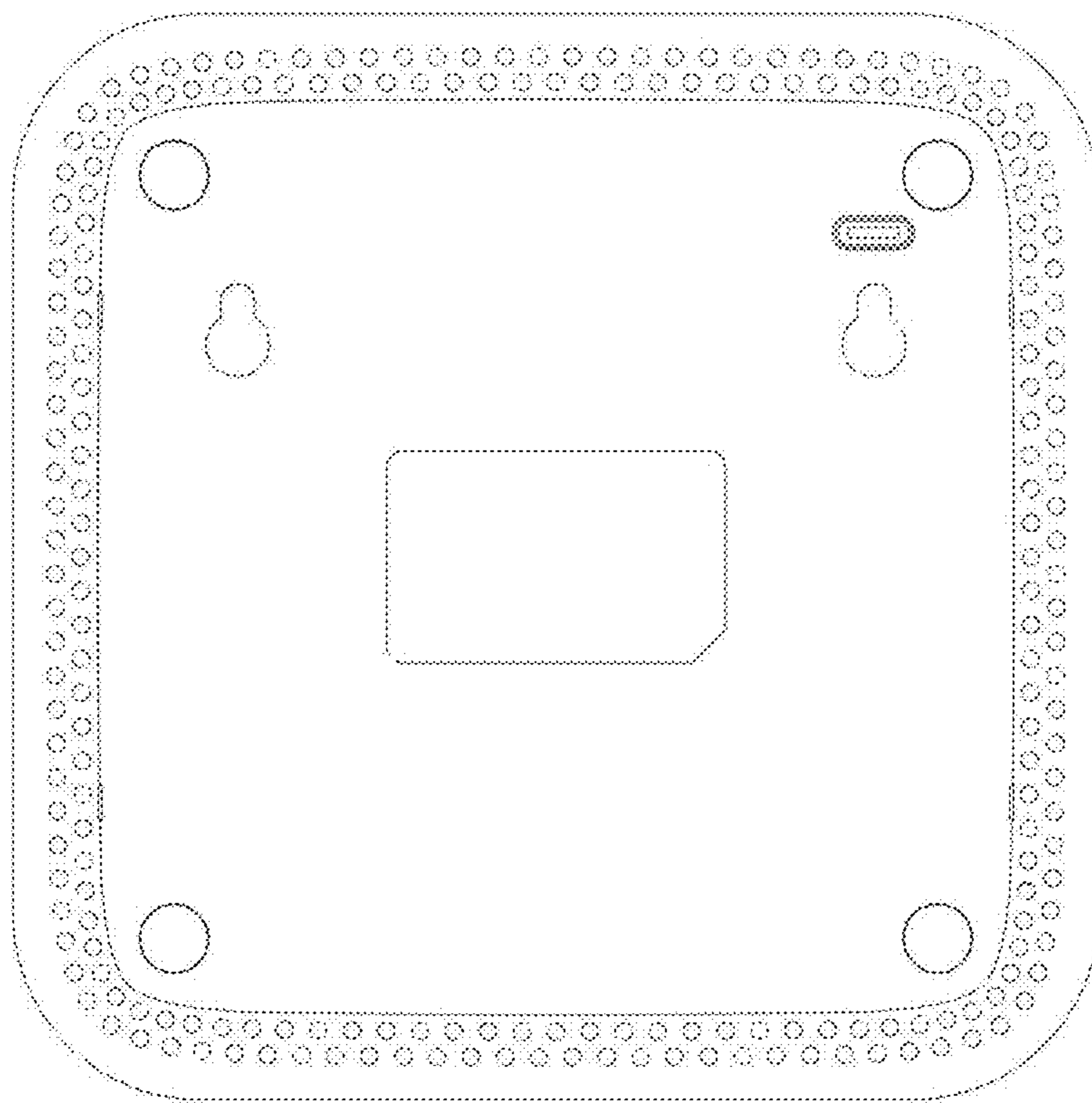


FIG.3

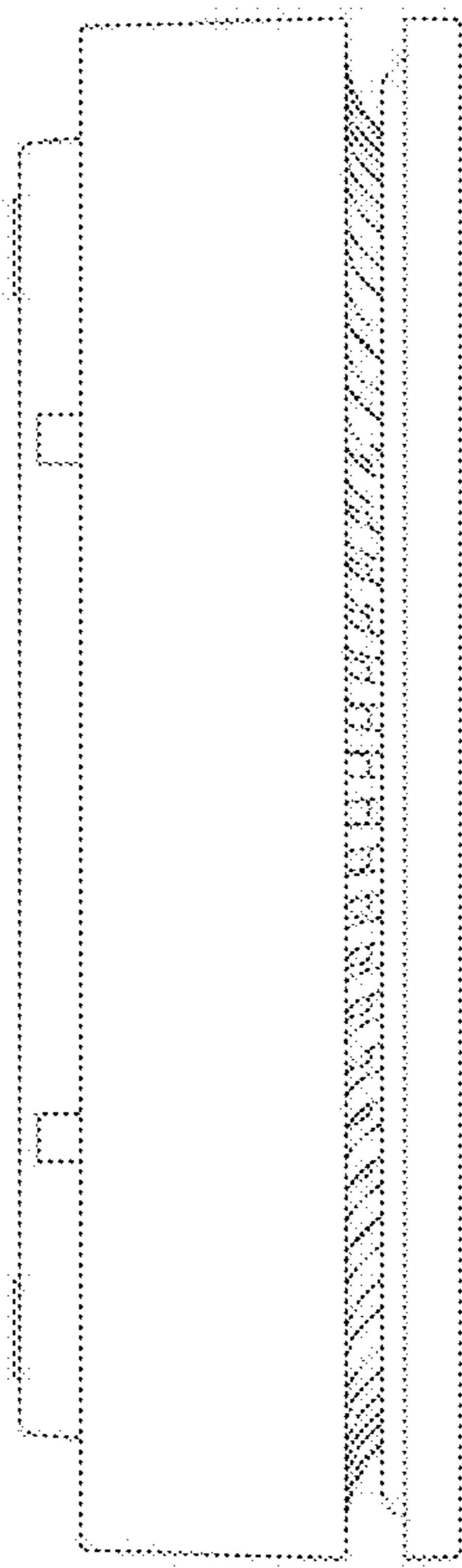


FIG.4

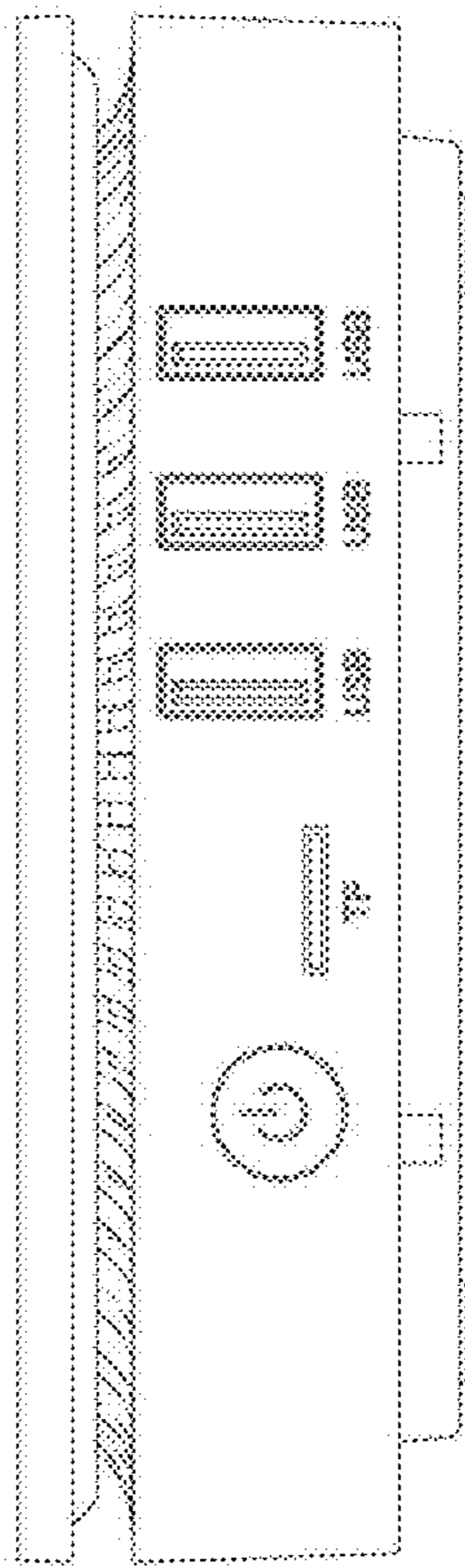


FIG.5

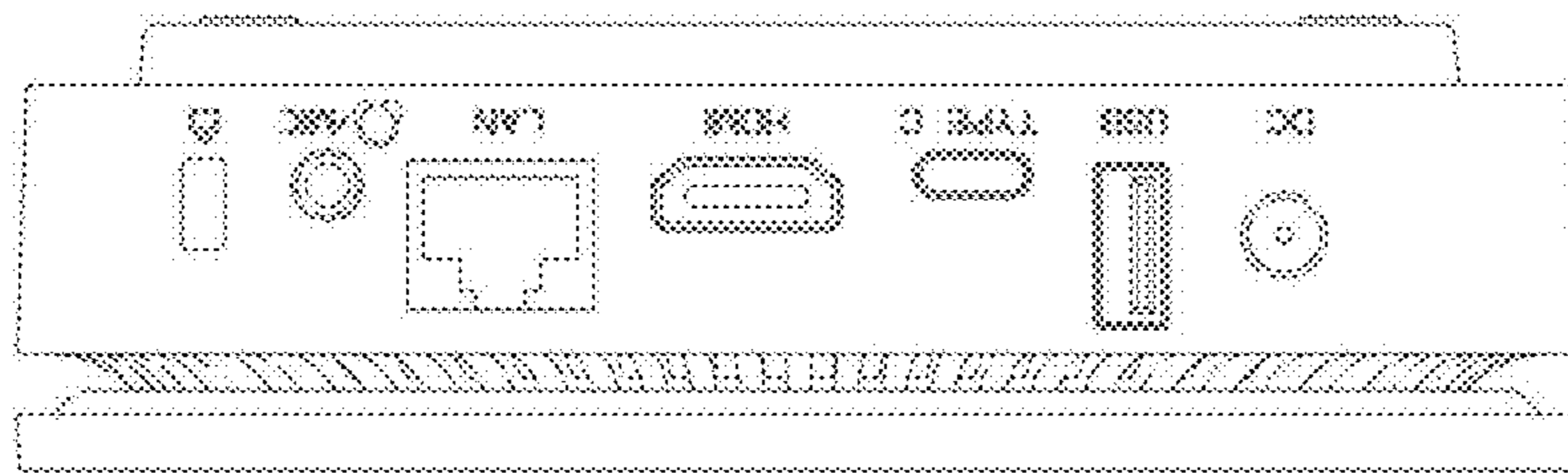


FIG.6

7/7

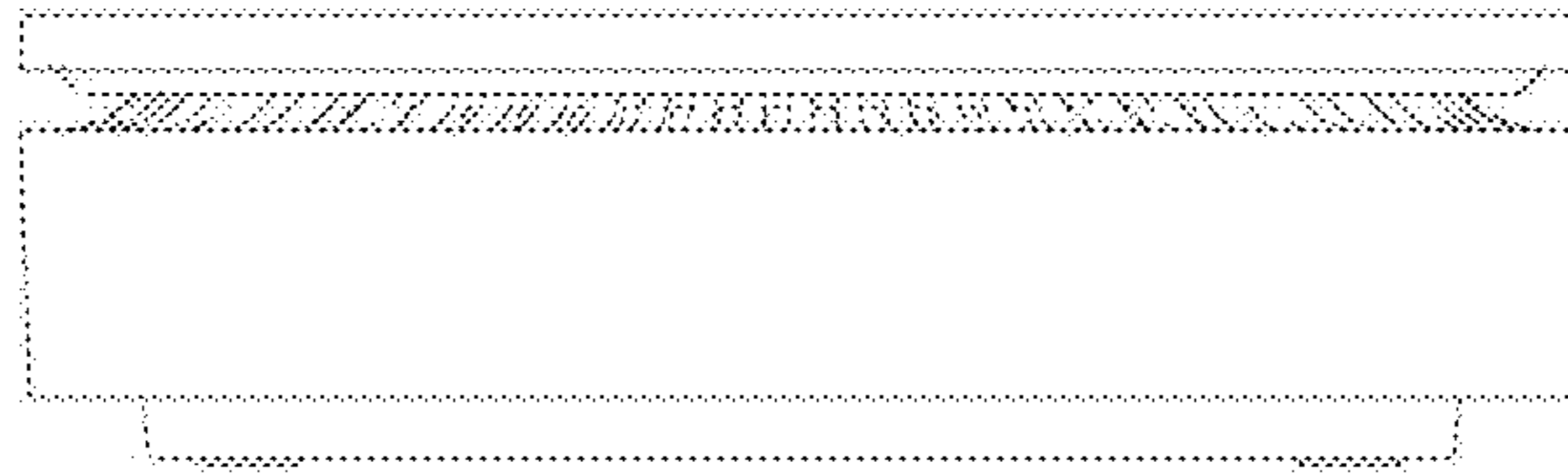


FIG.7