

US00D821385S

(12) **United States Design Patent**  
**Foster et al.**

(10) **Patent No.:** **US D821,385 S**  
(45) **Date of Patent:** **\*\* Jun. 26, 2018**

(54) **KIOSK**

(71) Applicant: **Home Depot Product Authority, LLC**,  
Atlanta, GA (US)

(72) Inventors: **Julie Sandlin Foster**, Atlanta, GA  
(US); **Toni Roeller**, Atlanta, GA (US);  
**Michael Todd Steinemann**, Atlanta,  
GA (US); **Alex Ragland**, Atlanta, GA  
(US); **Keith Boyd**, Atlanta, GA (US)

(73) Assignee: **Home Depot Product Authority, LLC**,  
Atlanta, GA (US)

(\*\*) Term: **15 Years**

(21) Appl. No.: **29/623,912**

(22) Filed: **Oct. 27, 2017**

**Related U.S. Application Data**

(62) Division of application No. 29/471,053, filed on Oct.  
28, 2013, now Pat. No. Des. 807,340.

(51) **LOC (11) Cl.** ..... **14-02**

(52) **U.S. Cl.**  
USPC ..... **D14/307**

(58) **Field of Classification Search**  
USPC ..... D14/302, 303, 304, 305, 306, 307, 900,  
D14/902; D13/163, 162; 187/395, 396;  
361/679.02, 679.21; D20/10; D21/332,  
D21/325; D10/108

CPC ..... G06Q 20/18; G06Q 20/10; G06Q 20/123;  
G06Q 20/20; G06Q 30/02; G06Q 30/06;  
A47F 9/047

See application file for complete search history.

(56) **References Cited**

**U.S. PATENT DOCUMENTS**

D425,875 S 5/2000 Wilson  
6,111,977 A \* 8/2000 Scott ..... G06K 9/0013  
340/5.53

D436,630 S 1/2001 Gonsiorowski et al.  
D466,898 S \* 12/2002 Hoornaert ..... D14/387  
D493,452 S 7/2004 Devane et al.  
D502,175 S 2/2005 Penke et al.  
D518,480 S 4/2006 Zheng et al.  
D530,113 S 10/2006 Cravens et al.  
D563,342 S 3/2008 Takami et al.  
D565,044 S 3/2008 Witts et al.  
D585,943 S 2/2009 Pymm et al.  
D591,078 S 4/2009 Singler et al.  
D601,145 S 9/2009 Chiu et al.  
D626,353 S 11/2010 Magruder  
D637,594 S 5/2011 Carpenter, Jr. et al.  
D639,800 S 6/2011 Magruder et al.  
D646,269 S 10/2011 Crick, Jr. et al.  
8,116,081 B2 2/2012 Crick, Jr.  
D659,836 S \* 5/2012 Bensch ..... D24/167  
D669,464 S 10/2012 Birgeoglu  
8,276,735 B2 10/2012 Georgens

(Continued)

*Primary Examiner* — Austin Murphy

(74) *Attorney, Agent, or Firm* — Greenberg Traurig, LLP

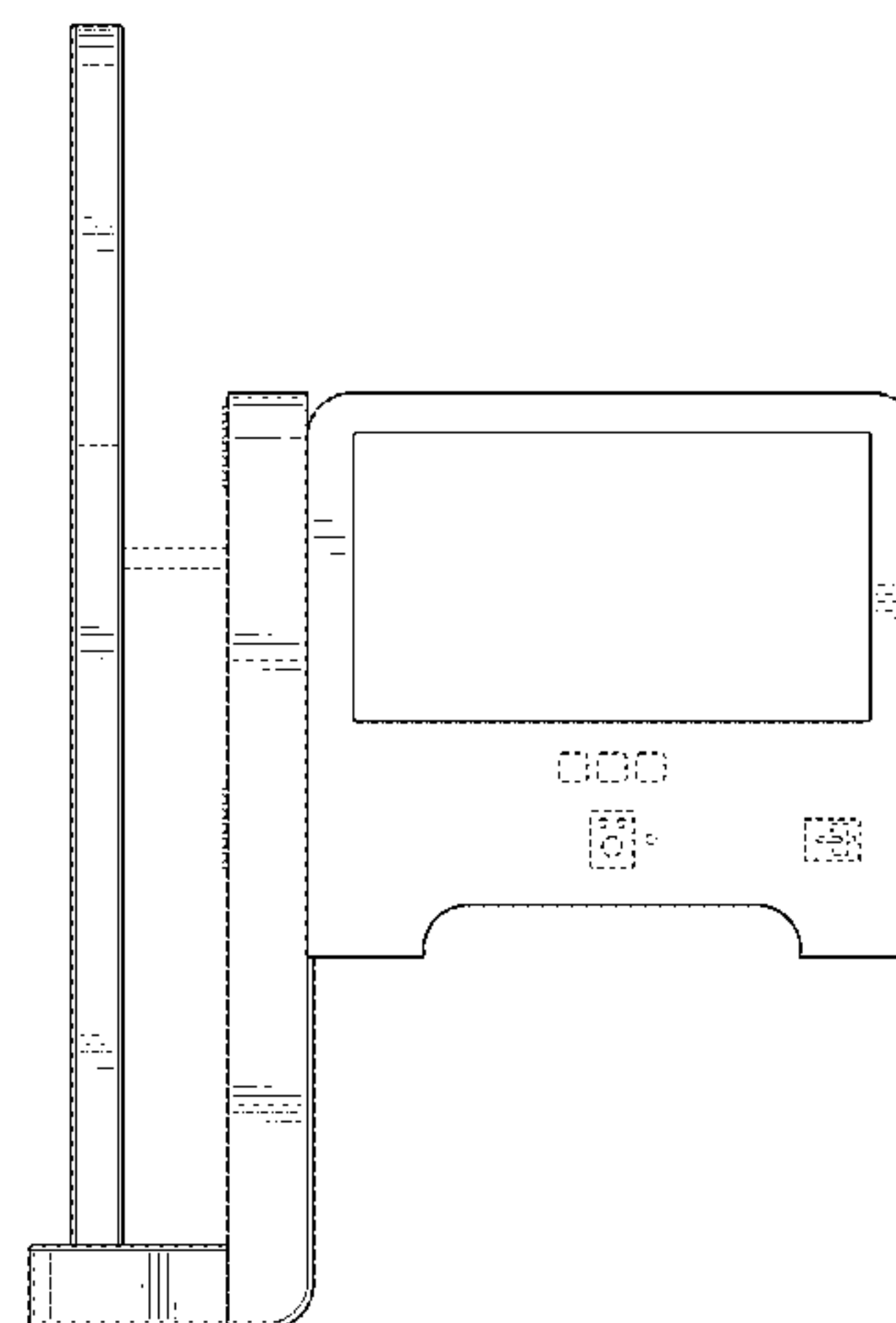
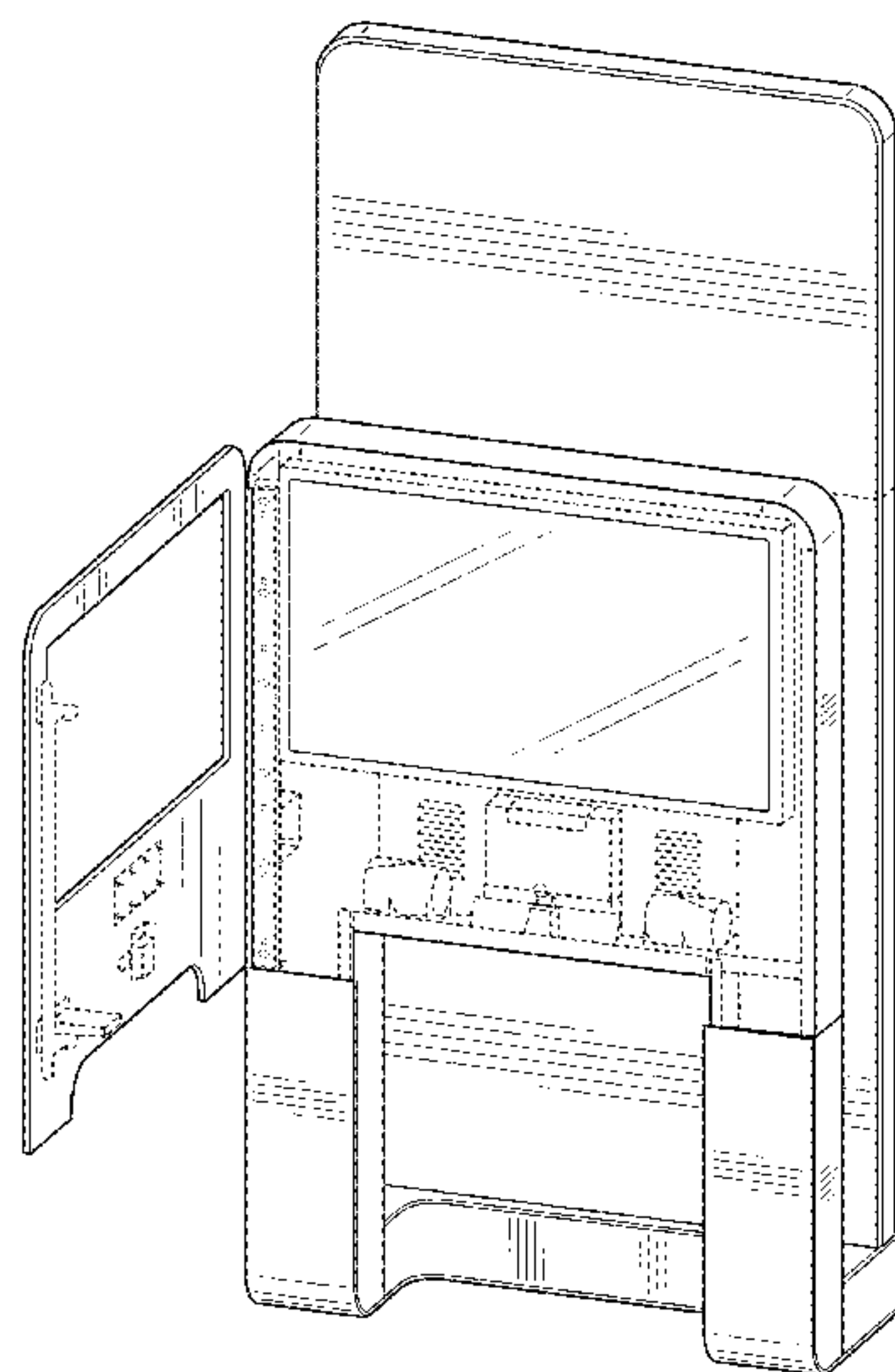
(57) **CLAIM**

The ornamental design for a kiosk, as shown and described.

**DESCRIPTION**

FIG. 1 is a front perspective view of a kiosk;  
FIG. 2 is a front view thereof;  
FIG. 3 is a back view thereof;  
FIG. 4 is a left side view thereof;  
FIG. 5 is a right side view thereof;  
FIG. 6 is a top plan view thereof; and,  
FIG. 7 is a bottom plan view thereof.  
The broken lines shown in the drawings are for illustrative  
purposes only and form no part of the claimed design. The  
shade lines in the figures show contour and not surface  
ornamentation.

**1 Claim, 6 Drawing Sheets**



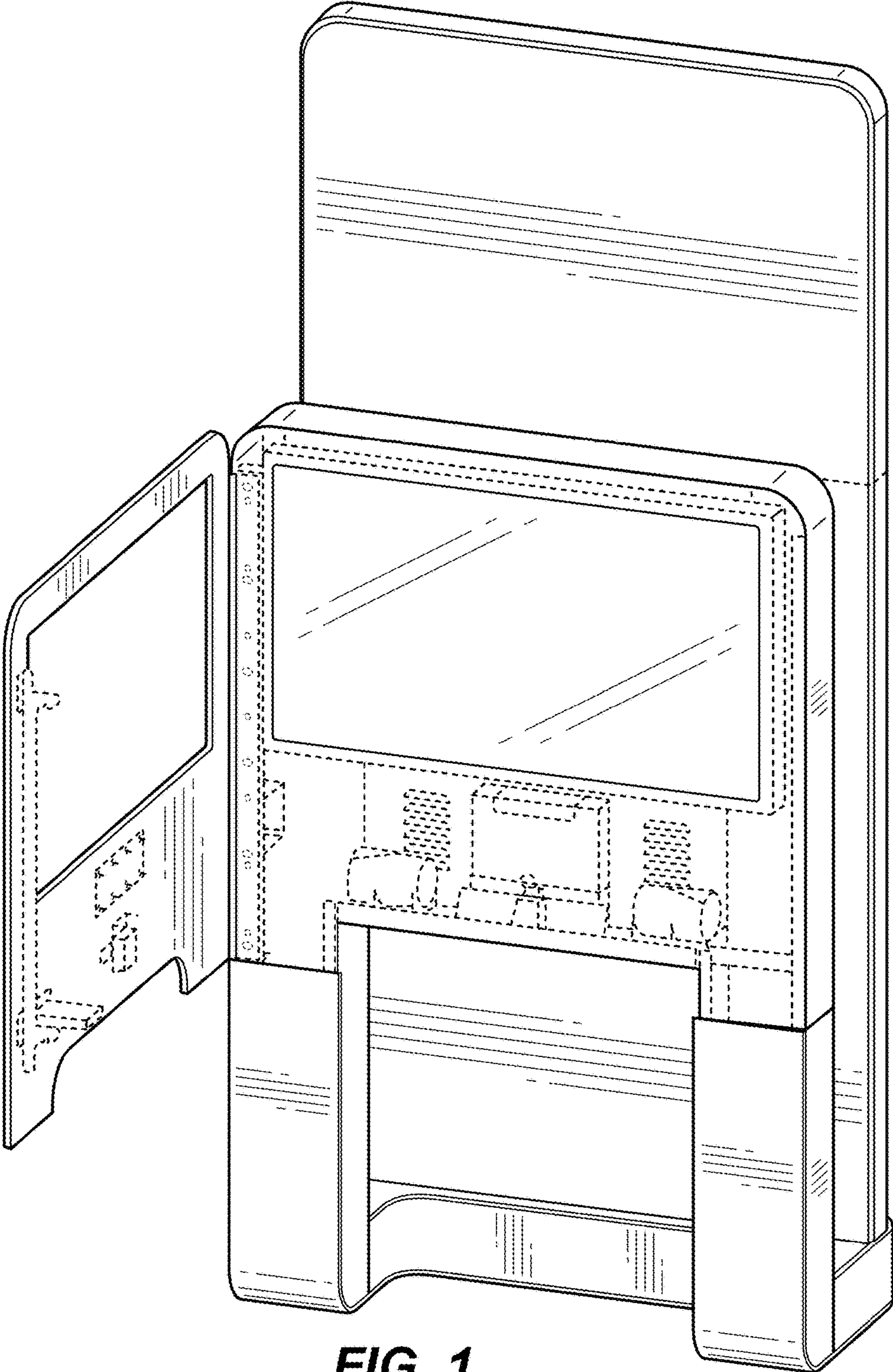
(56)

**References Cited**

## U.S. PATENT DOCUMENTS

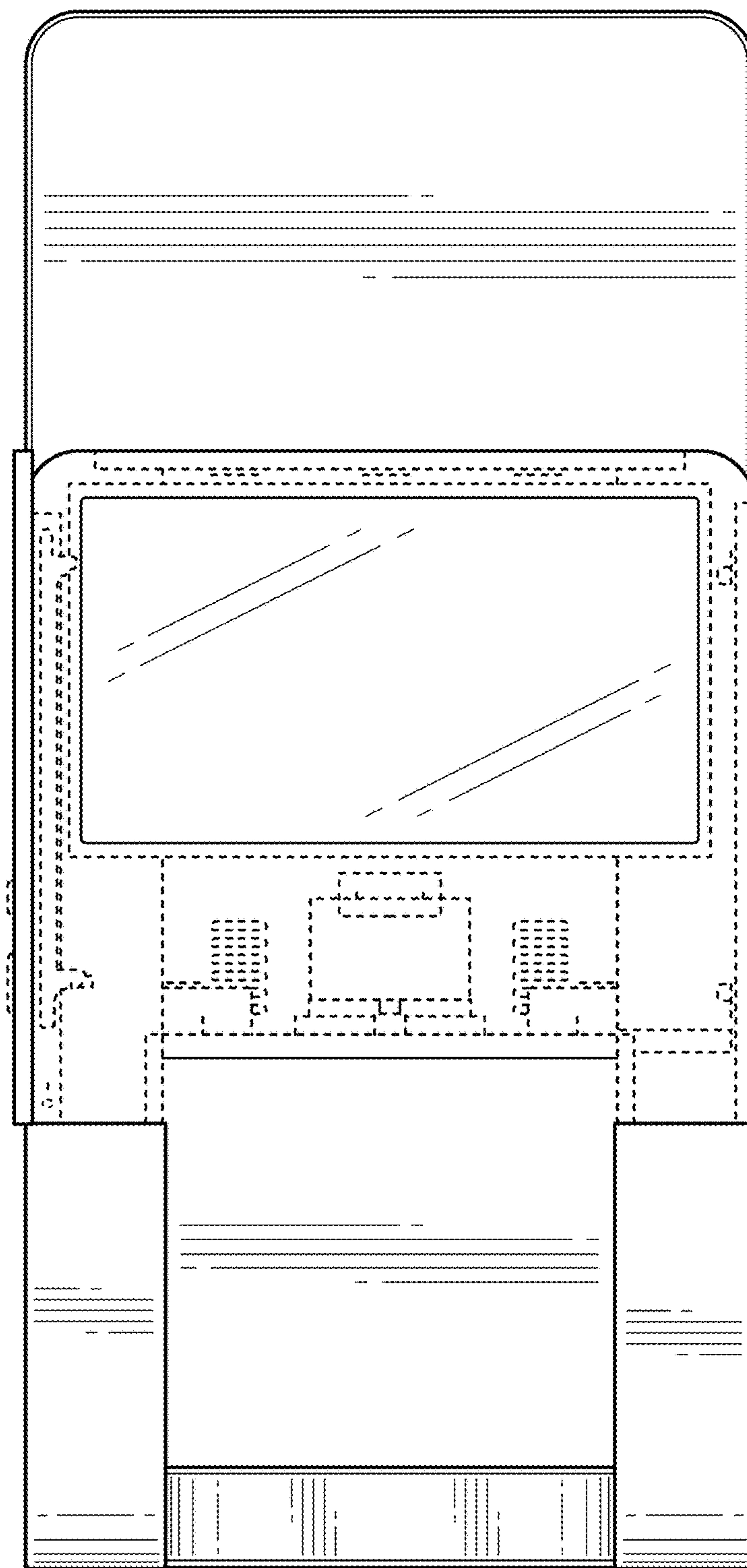
D671,535	S	11/2012	Terashima et al.	
8,359,776	B2	1/2013	Toles et al.	
D675,617	S *	2/2013	Daniel .....	D14/385
D685,789	S *	7/2013	Chang .....	D14/383
D691,152	S *	10/2013	Meisel .....	D14/385
D691,203	S	10/2013	d'Amore et al.	
D696,658	S	12/2013	Winston et al.	
D703,670	S *	4/2014	Rotsaert .....	D14/307
D705,213	S	5/2014	Smith et al.	
D705,445	S	5/2014	Bolos	
D713,658	S	9/2014	Tio et al.	
D717,785	S *	11/2014	Winston .....	D14/307
D723,026	S *	2/2015	Birgeoglu .....	D14/307
D725,947	S *	4/2015	Tio .....	D6/675.1
D726,706	S *	4/2015	Kraft .....	D14/307
D728,557	S *	5/2015	Soares .....	D14/307
D730,899	S *	6/2015	Daniel .....	D14/385
D732,015	S *	6/2015	Alekhin .....	D14/307
D732,521	S *	6/2015	Chadbourne .....	D14/307
D734,074	S	7/2015	Jouin	
D734,314	S *	7/2015	Swaine .....	D14/307
D734,316	S *	7/2015	Alvarez .....	D14/307
D734,965	S *	7/2015	Tio .....	D6/675
D742,870	S	11/2015	Berini	
D751,638	S *	3/2016	Chung .....	D18/53
D752,032	S	3/2016	Taylor	
D762,635	S *	8/2016	Szeredi .....	D14/307
D763,247	S	8/2016	Yepez et al.	
D807,340	S *	1/2018	Foster .....	D14/307
2002/0124271	A1	9/2002	Herrmann	
2008/0255901	A1	10/2008	Carroll et al.	
2010/0204876	A1	8/2010	Comeau et al.	
2011/0192681	A1	8/2011	Johnson et al.	

\* cited by examiner

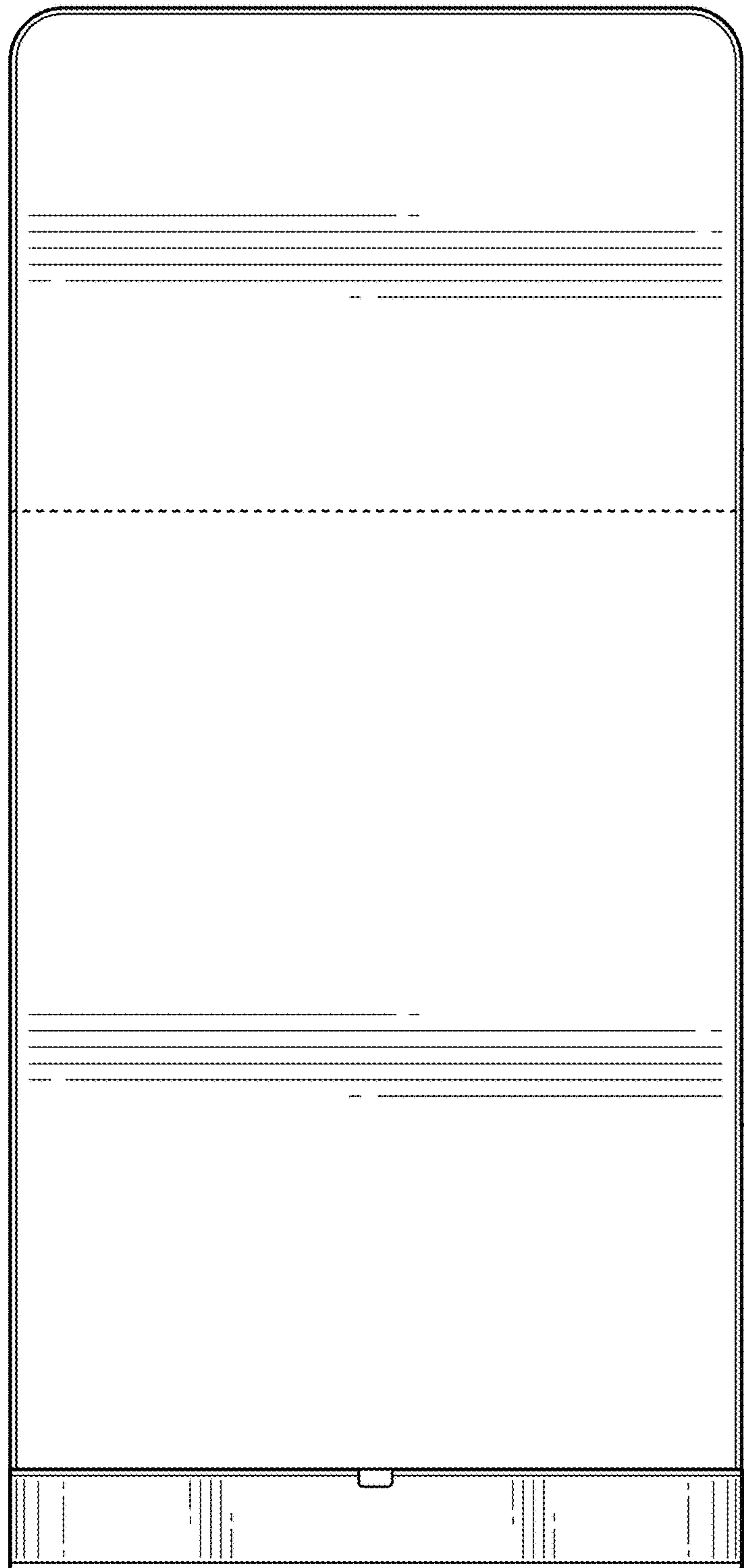


**FIG. 1**

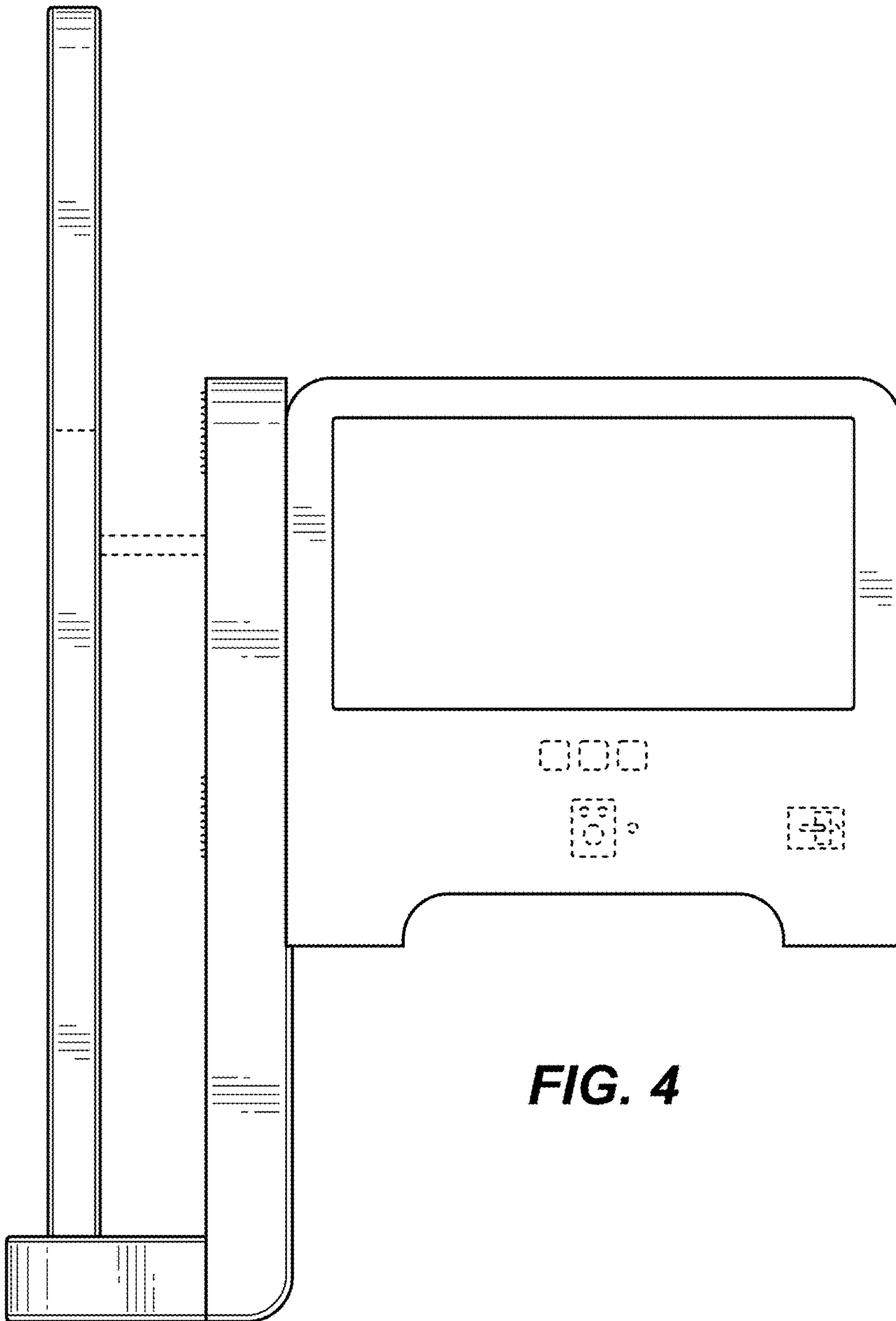




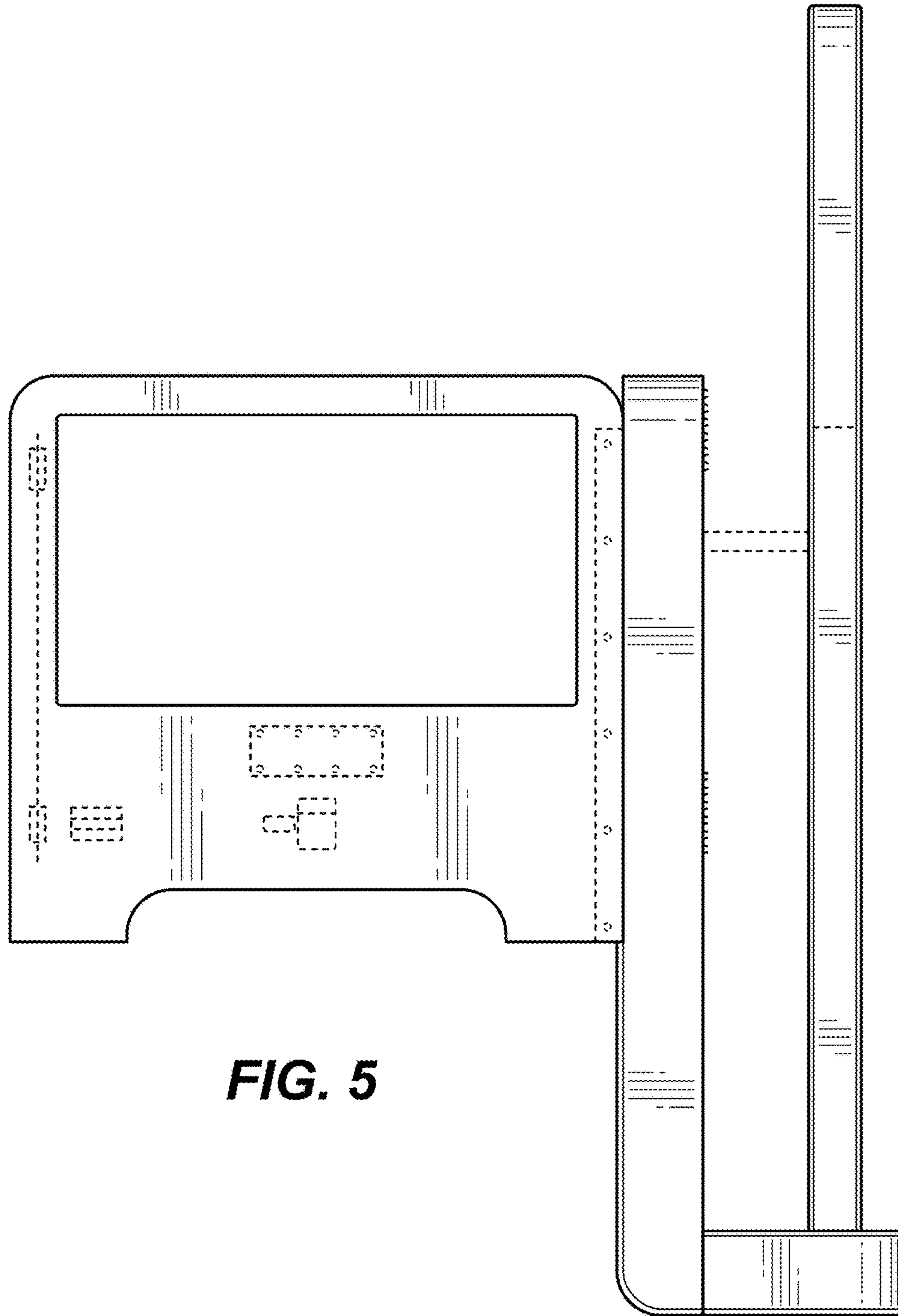
**FIG. 2**

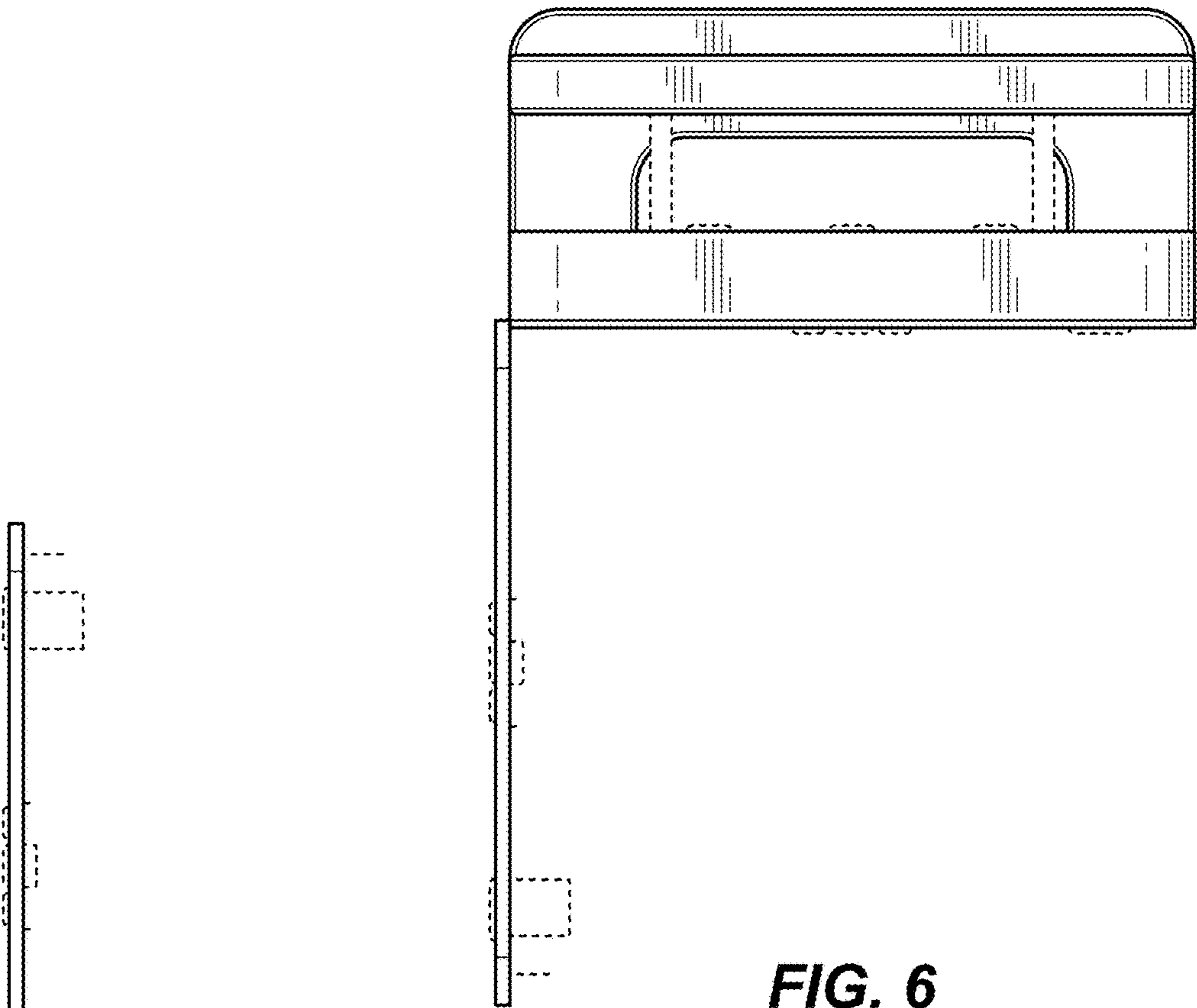


**FIG. 3**

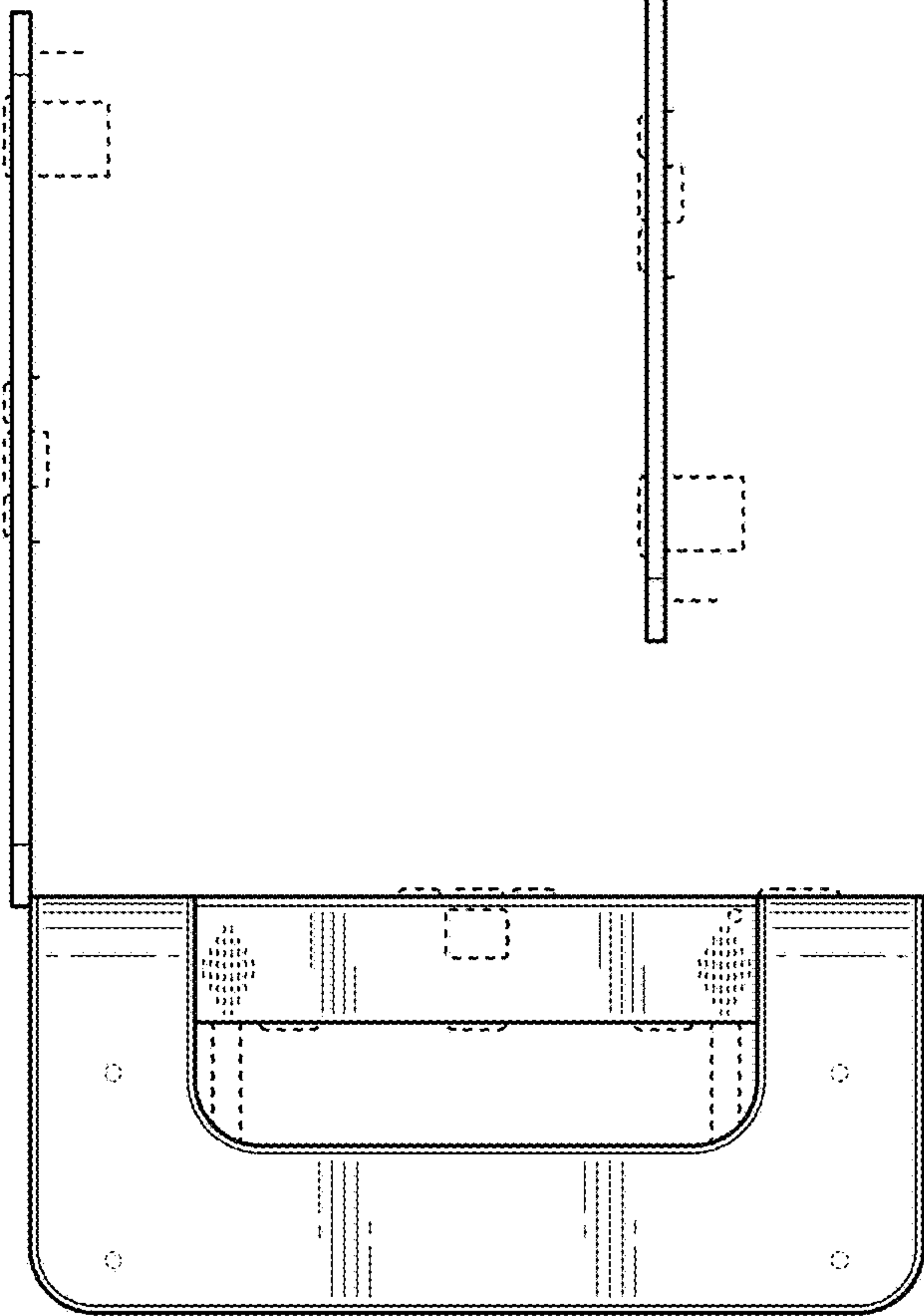


**FIG. 4**





**FIG. 6**



**FIG. 7**