

US00D821384S

(12) **United States Design Patent** (10) **Patent No.:** **US D821,384 S**
Jordin et al. (45) **Date of Patent:** **** Jun. 26, 2018**

(54) **INSTALLATION FRAME FOR SCREEN PROTECTOR**

D710,345 S * 8/2014 Chang D14/250
D710,839 S * 8/2014 Chang D14/250
D718,757 S * 12/2014 Jaffee D14/250
D718,758 S * 12/2014 Jaffee D14/250
D761,779 S * 7/2016 Tsai D14/250

(71) Applicant: **ZAGG Intellectual Property Holding Co., Inc.**, Midvale, UT (US)

(Continued)

(72) Inventors: **Cherell Jordin**, Sandy, UT (US);
Christian Peterson, Kaysville, UT (US);
Mike Jenson, Riverton, UT (US);
Jordan Keith Melville, Salt Lake City, UT (US)

Primary Examiner — Susan E Krakower
Assistant Examiner — L. A. Grabenstetter
(74) *Attorney, Agent, or Firm* — Thorpe, North & Western, LLP

(73) Assignee: **ZAGG Intellectual Property Holding Co.**, Midvale, UT (US)

(57) **CLAIM**

(**) Term: **15 Years**

The ornamental design for an installation frame for screen protector, as shown and described.

(21) Appl. No.: **29/581,623**

DESCRIPTION

(22) Filed: **Oct. 20, 2016**

(51) **LOC (11) Cl.** **14-03**

(52) **U.S. Cl.**
USPC **D14/250**

(58) **Field of Classification Search**
USPC D3/201, 218, 232, 233, 239, 242,
D3/245–247, 250, 251, 269, 273, 301,
D3/303; D13/103, 107, 108, 119;
D14/137, 138 R, 138 AA, 138 C, 138 G,
D14/203.3–203.7, 217, 238.1, 247, 248,
D14/250, 251–253, 440
CPC H04B 1/3888; H04M 1/0283; H04M
1/0202; A45C 1/06; A45C 2011/002;
A45C 23/02; A45C 11/00; A45F
2005/028; A45F 2200/0525; A45F
2200/0518

FIG. 1 is a top perspective view of a first embodiment of the installation frame for screen protector in accordance with our invention;
FIG. 2 is a bottom perspective view hereof;
FIG. 3 is a top plan view thereof;
FIG. 4 is a bottom plan view thereof;
FIG. 5 is a right side elevation view thereof;
FIG. 6 is a left side elevation view thereof;
FIG. 7 is a front elevation view thereof; and
FIG. 8 is a rear elevation view thereof;
FIG. 9 is a top perspective view of second embodiment of the installation frame for screen protector in accordance with our invention;
FIG. 10 is a bottom perspective view thereof;
FIG. 11 is a top plan view thereof;
FIG. 12 is a bottom plan view thereof;
FIG. 13 is a right side elevation view thereof;
FIG. 14 is a left side elevation view thereof;
FIG. 15 is a front elevation view thereof; and,
FIG. 16 is a rear elevation view thereof.

See application file for complete search history.

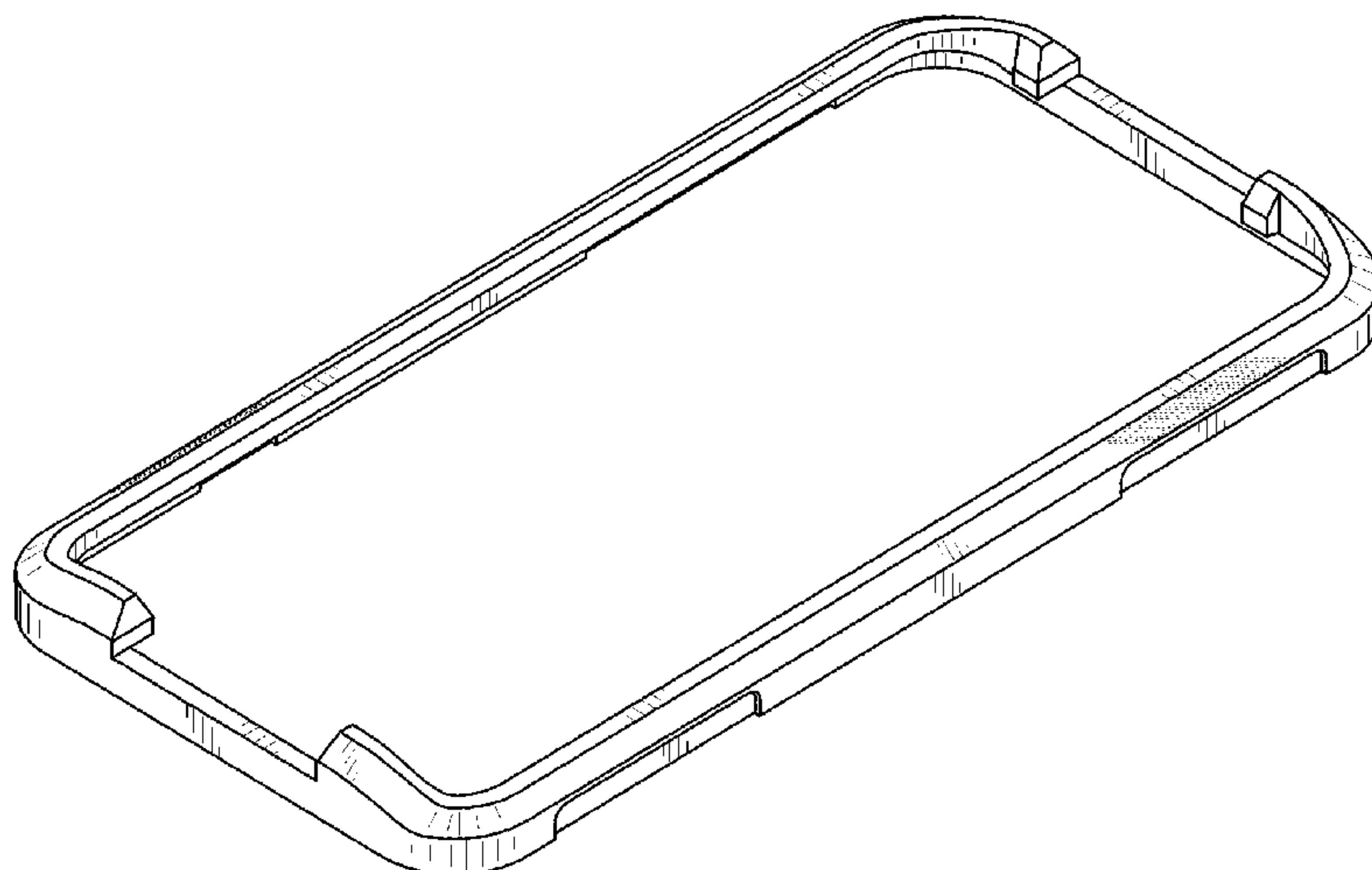
The broken lines in FIGS. 1, 3-6, 9, 11, 13 and 14 represent features of the installation frame for screen protector that form no part of the claimed design.

(56) **References Cited**

U.S. PATENT DOCUMENTS

D671,930 S * 12/2012 Akana D14/250
D679,695 S * 4/2013 Fahrendorff D14/250
D705,206 S * 5/2014 Gengler D14/250
D706,255 S * 6/2014 Akana D14/250

1 Claim, 7 Drawing Sheets



(56)

References Cited

U.S. PATENT DOCUMENTS

2015/0173229	A1*	6/2015	Chao	B65D 81/02 206/524.2
2016/0015138	A1*	1/2016	Poon	A45C 11/00 224/191

* cited by examiner

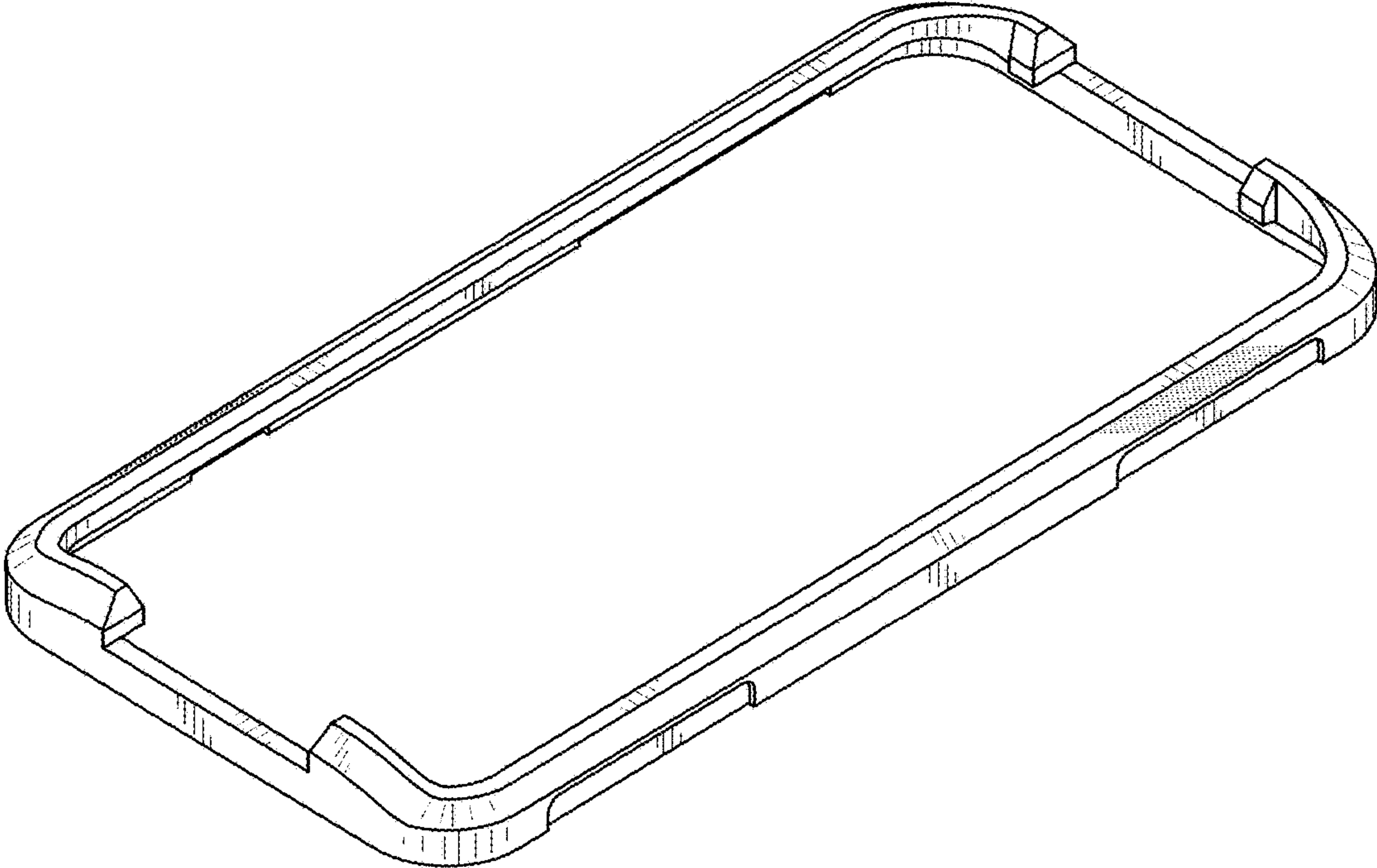


FIG. 1

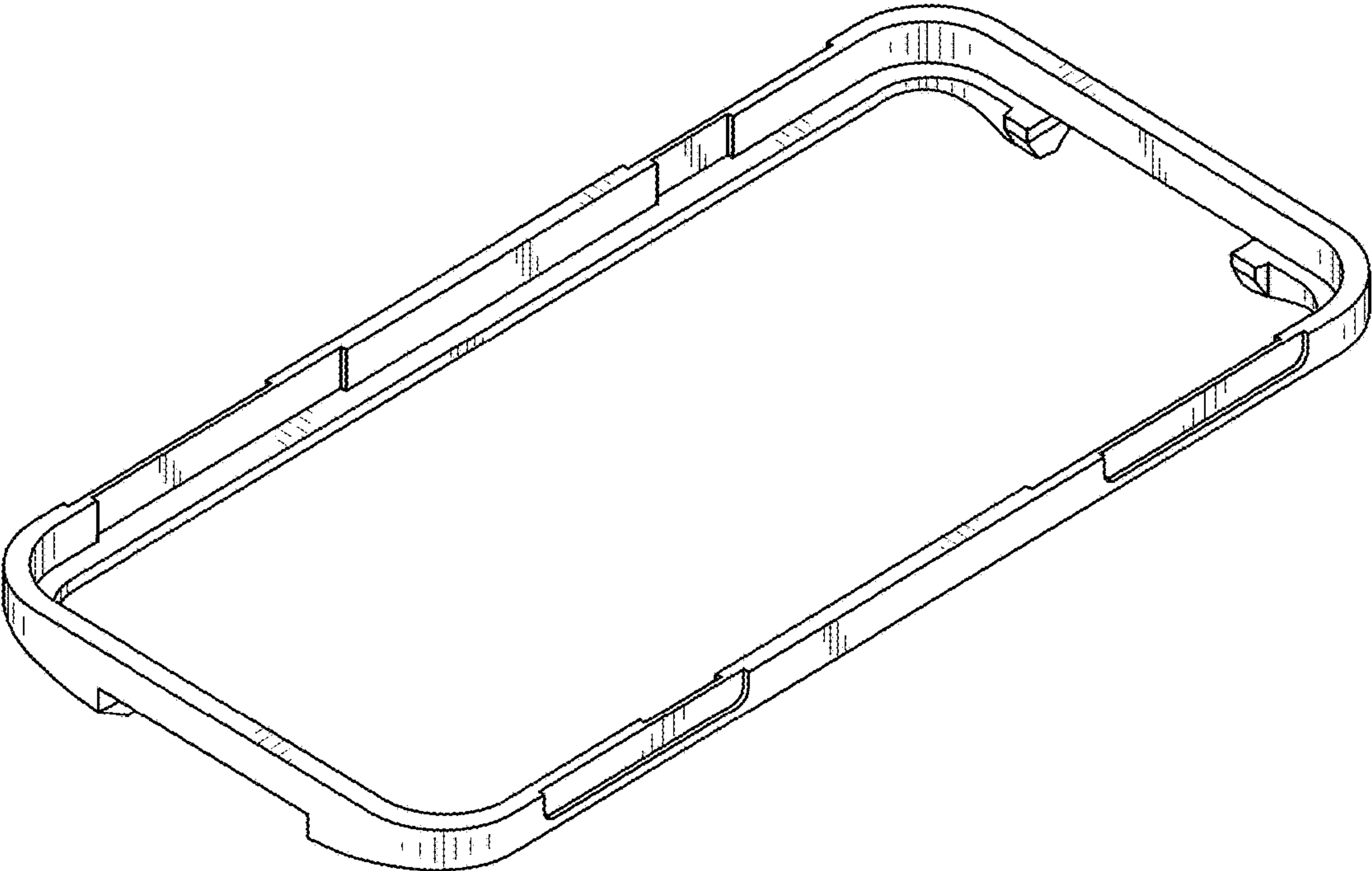


FIG. 2

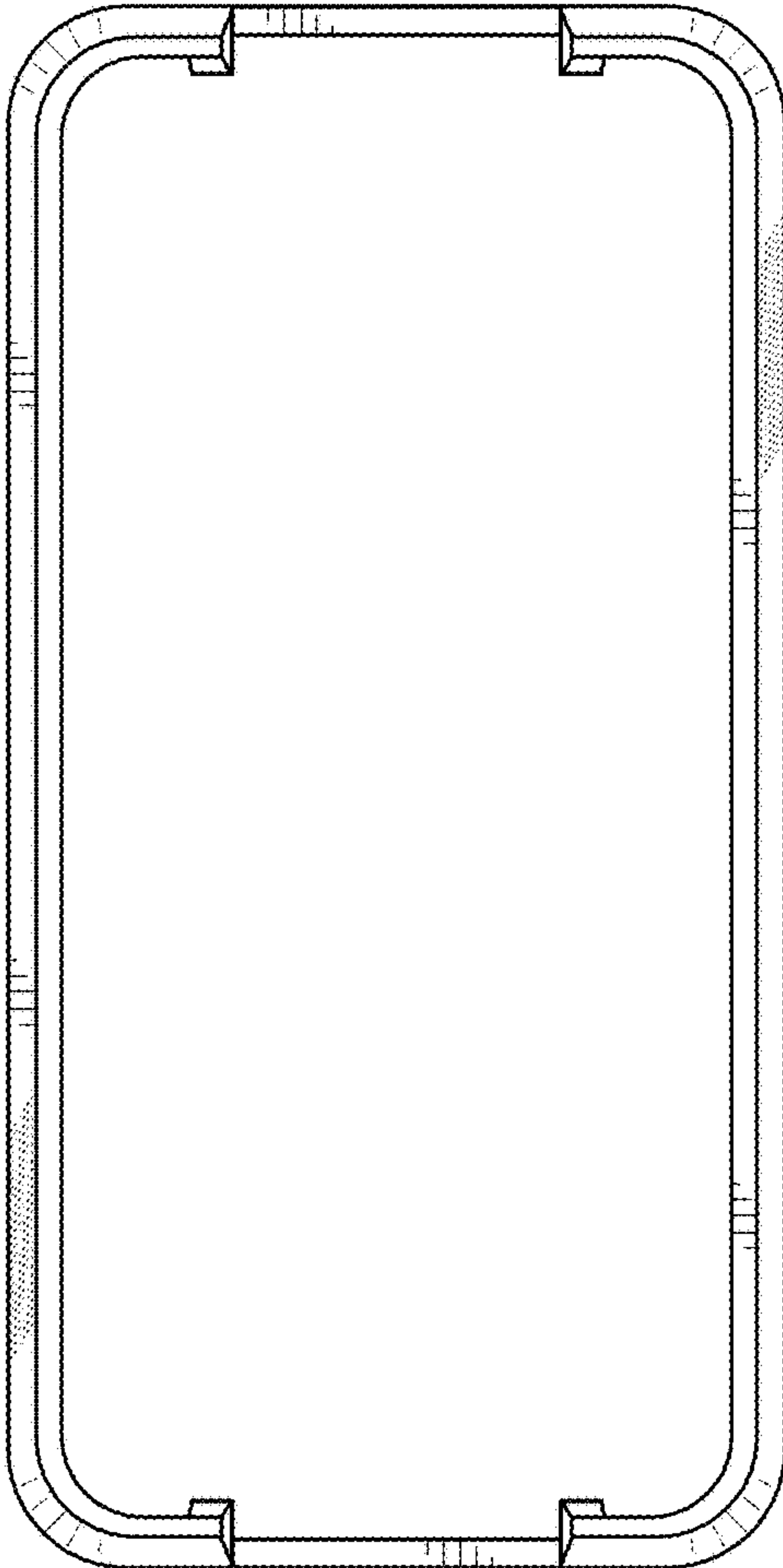


FIG. 3

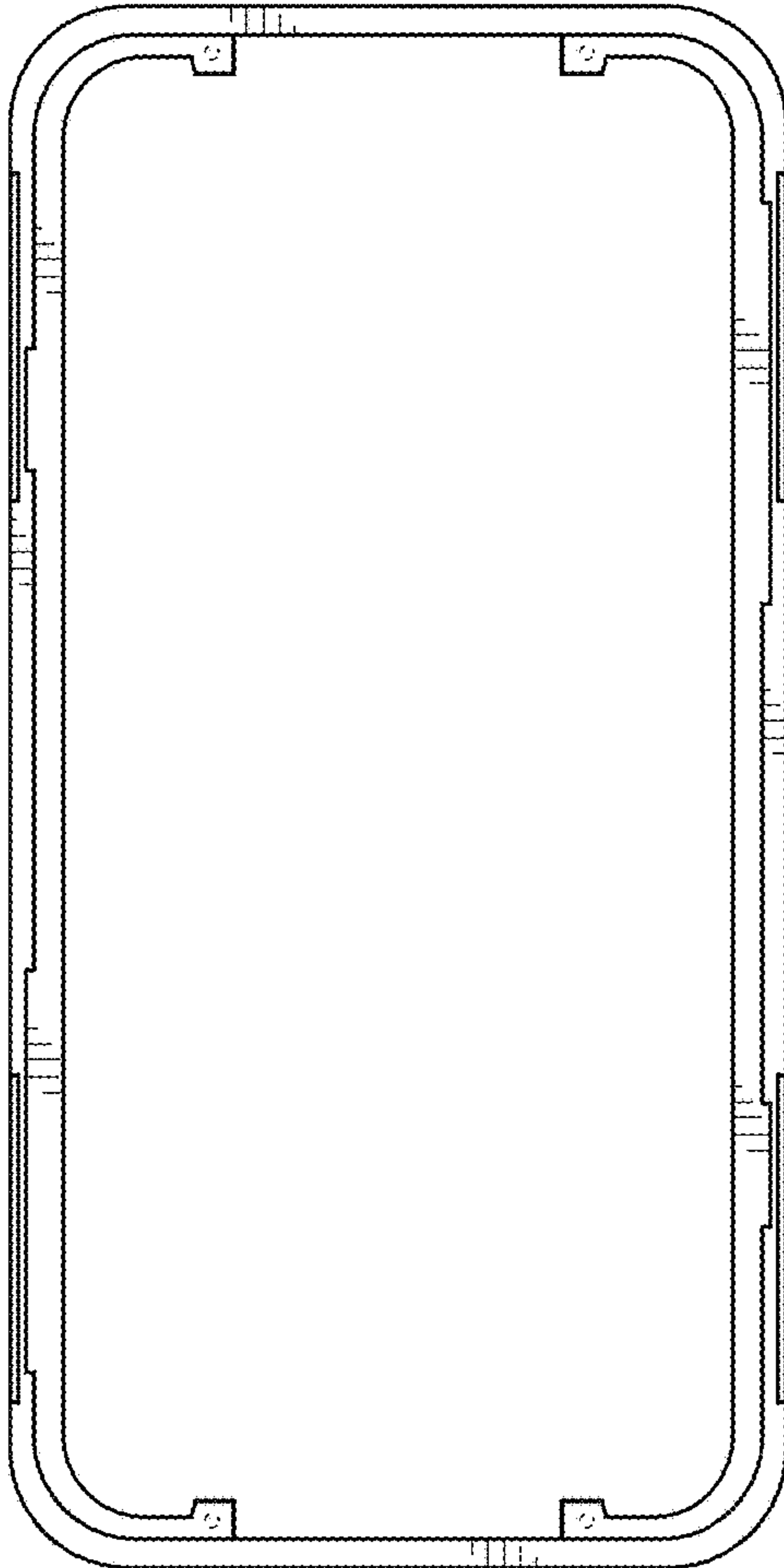


FIG. 4

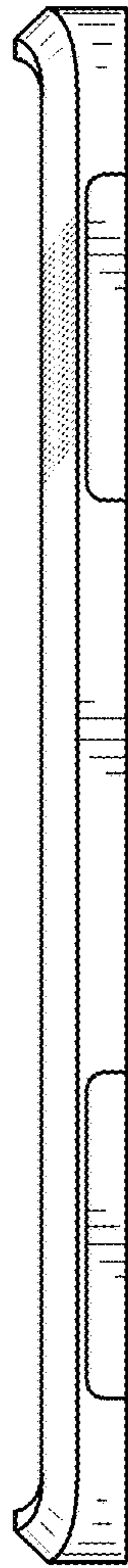


FIG. 5

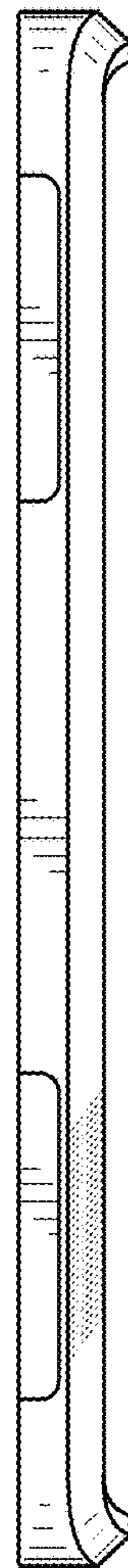


FIG. 6

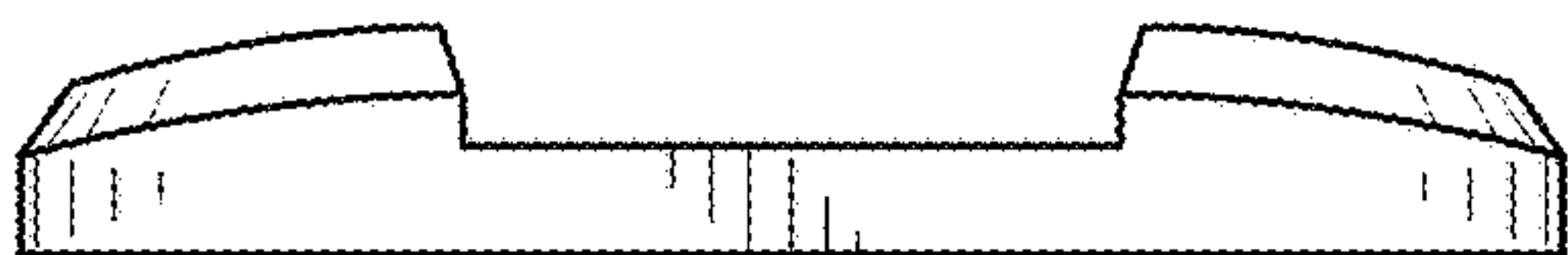


FIG. 7

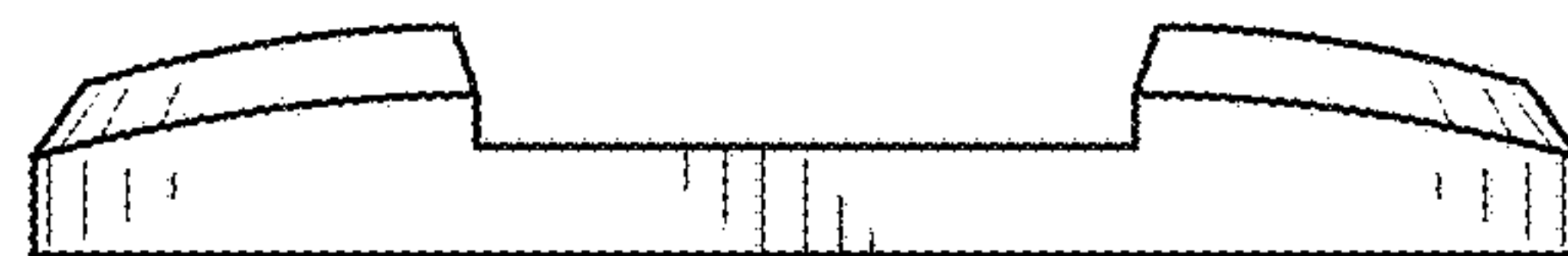


FIG. 8

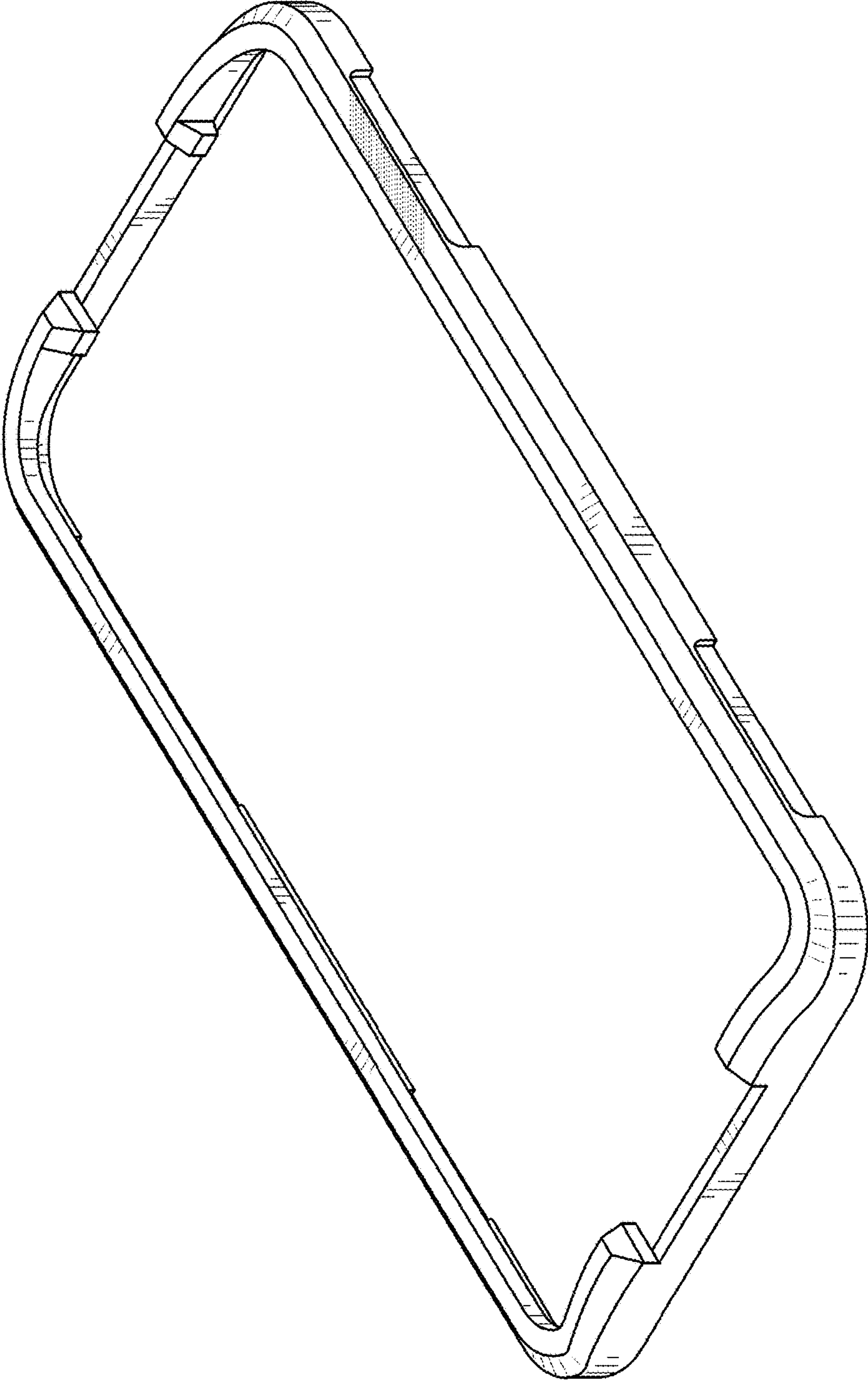


FIG. 9

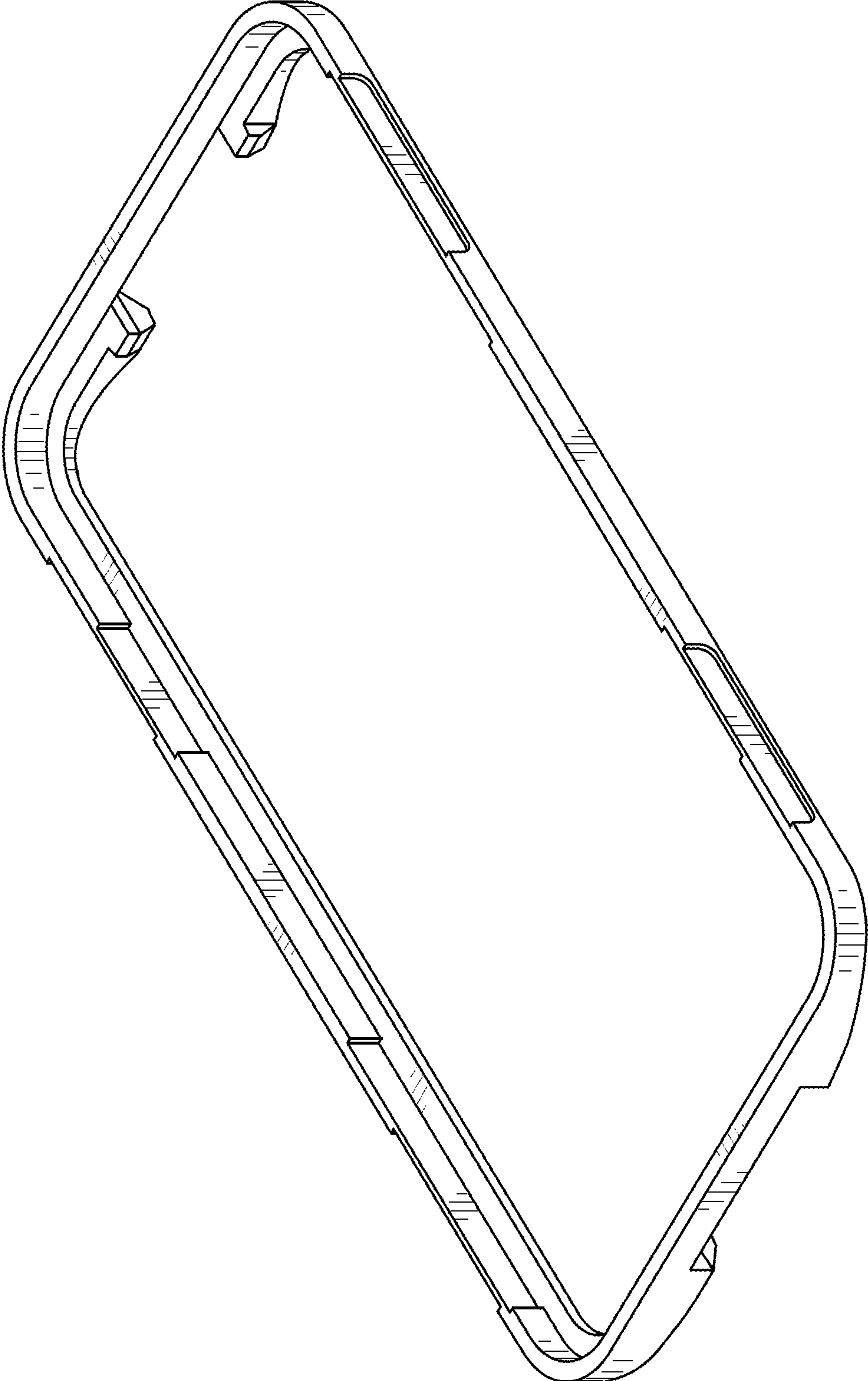


FIG. 10

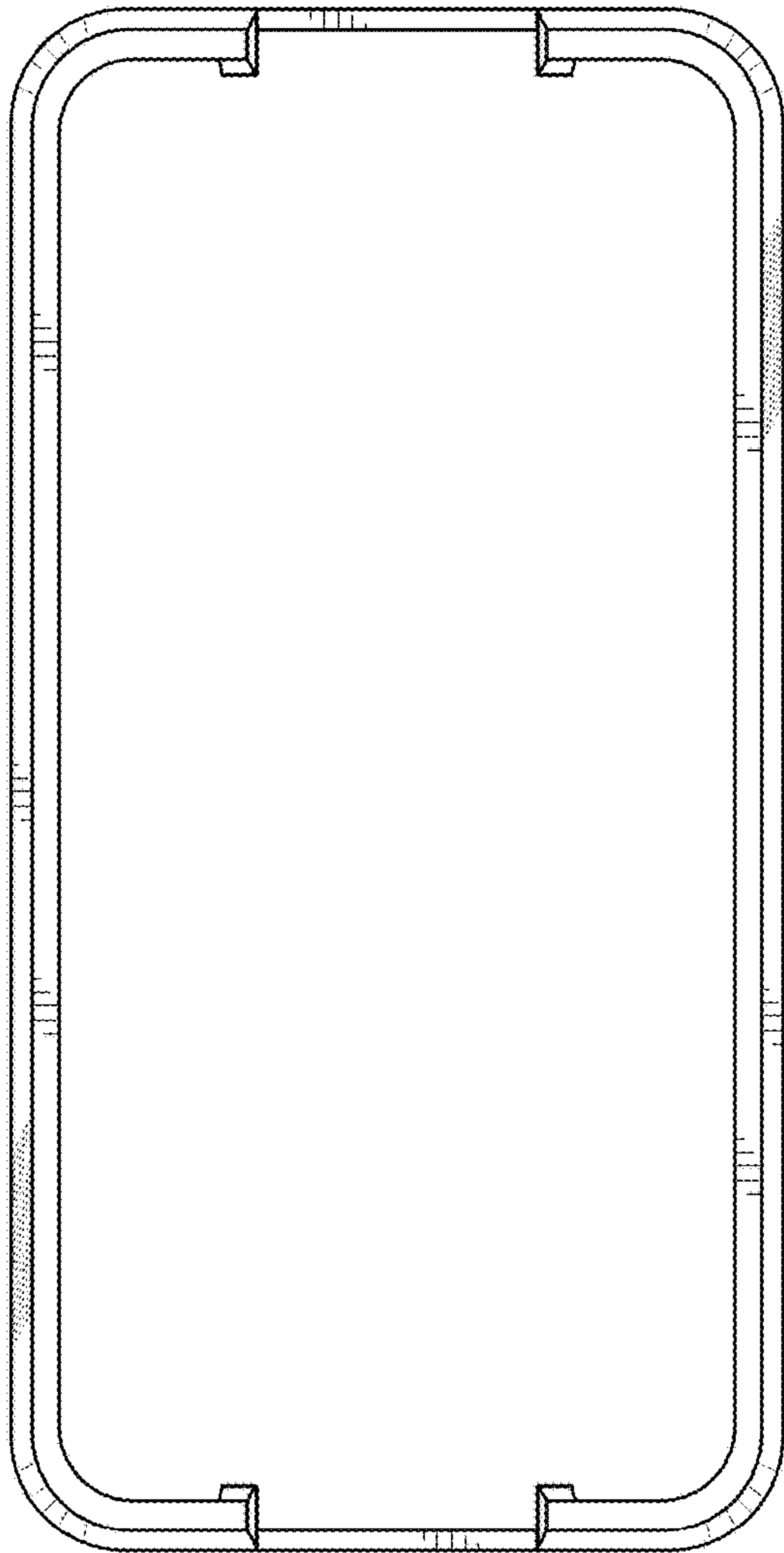


FIG. 11

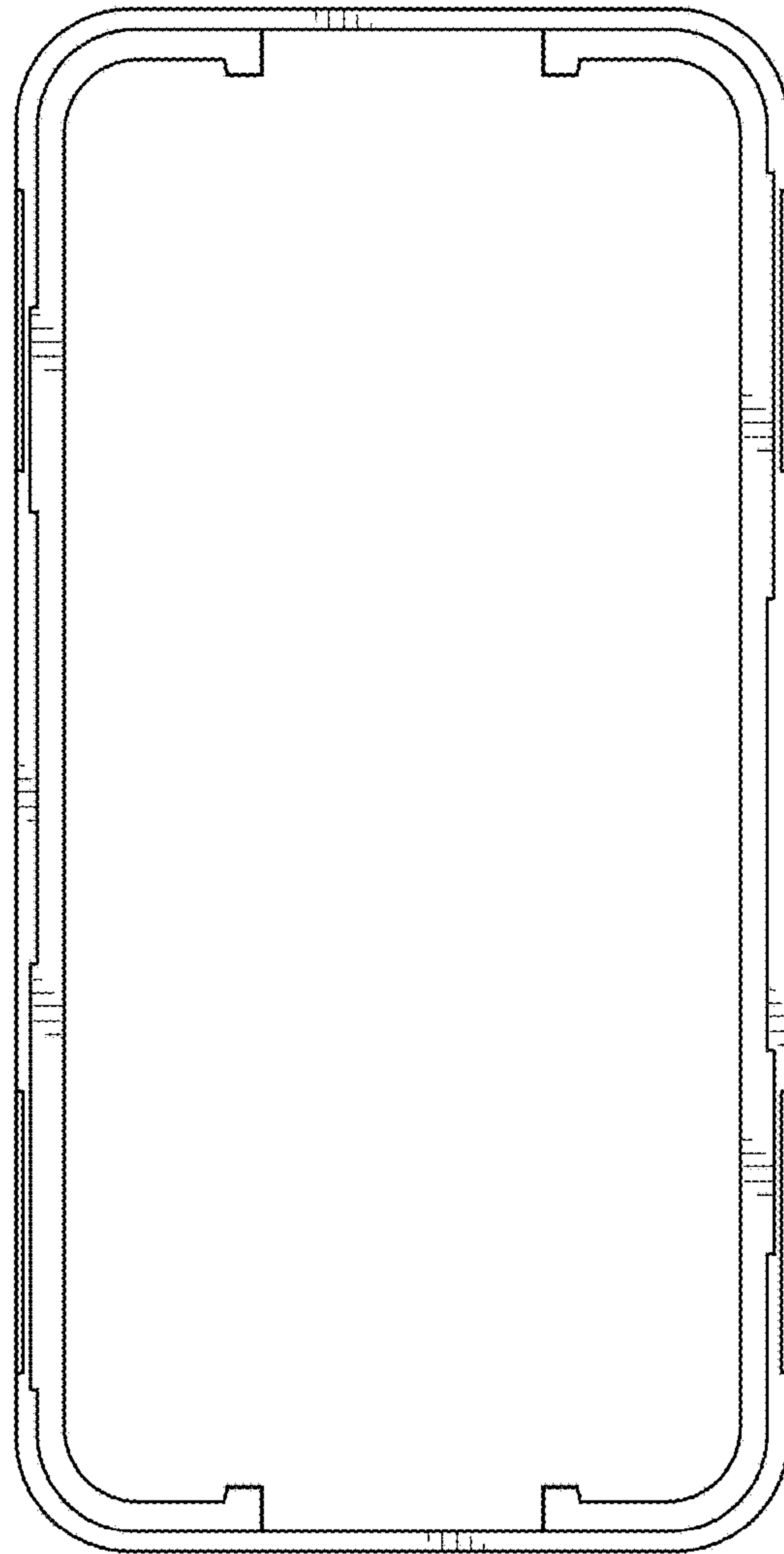


FIG. 12

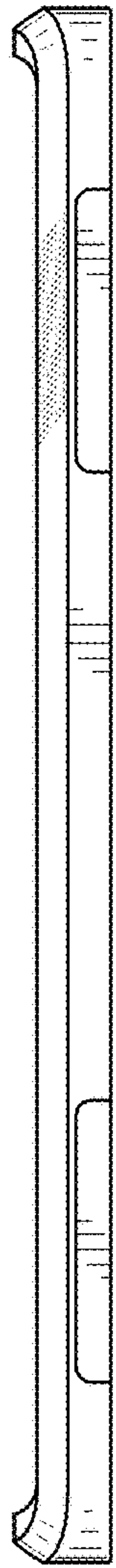


FIG. 13

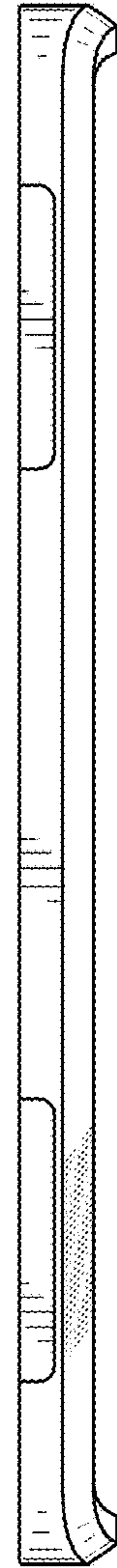


FIG. 14

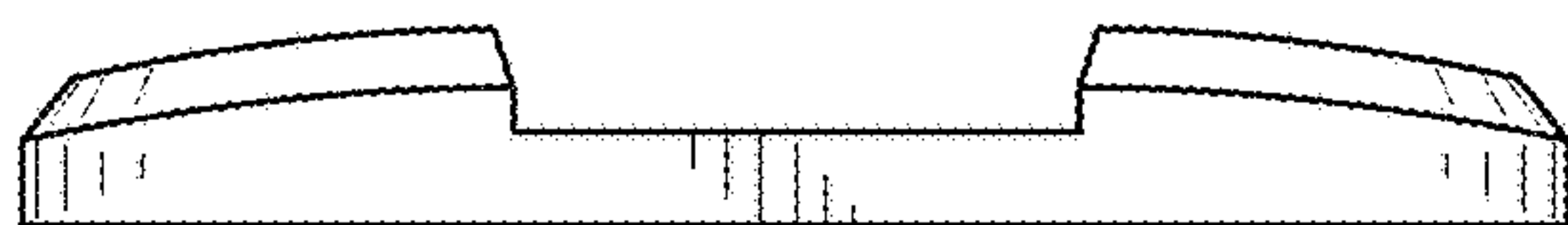


FIG. 15

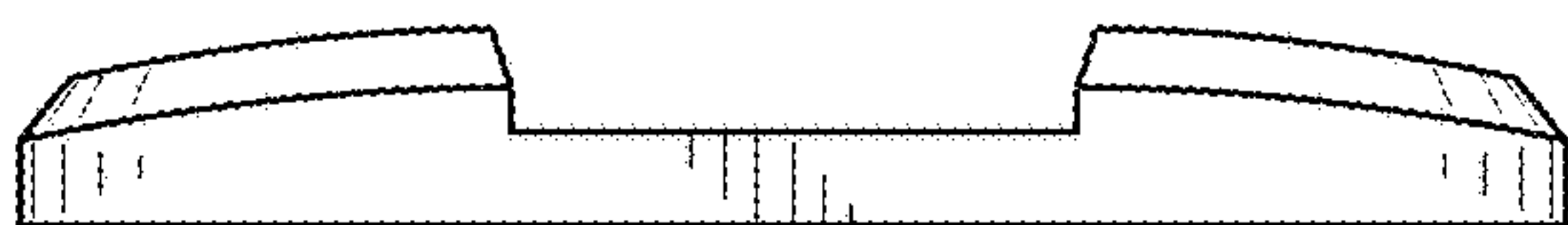


FIG. 16