



US00D821383S

(12) **United States Design Patent**  
**Deng**

(10) **Patent No.:** **US D821,383 S**

(45) **Date of Patent:** **\*\* Jun. 26, 2018**

(54) **PHONE CASE**

(71) Applicant: **Xiuhong Deng**, Guangdong (CN)

(72) Inventor: **Xiuhong Deng**, Guangdong (CN)

(\*\*) Term: **15 Years**

(21) Appl. No.: **29/579,093**

(22) Filed: **Sep. 27, 2016**

(51) **LOC (11) Cl.** ..... **14-03**

(52) **U.S. Cl.**  
USPC ..... **D14/250**

(58) **Field of Classification Search**  
USPC ..... D3/201, 218, 247, 269, 273, 301, 303;  
D13/103, 107, 108, 119;  
D14/203.3-203.7, 217, 238.1, 247, 248,  
D14/250, 251-253, 269, 273, 301, 303,  
D14/440; D16/204  
CPC ..... H04B 1/3888; H04M 1/0283; H04M  
1/0202; A45C 1/06; A45C 2011/002;  
A45C 23/02; A45C 11/00; A45F  
2005/028; A45F 2200/0525; A45F  
2200/0516  
See application file for complete search history.

(56) **References Cited**

**U.S. PATENT DOCUMENTS**

D669,587 S	*	10/2012	Mayer	.....	D14/250
D671,932 S	*	12/2012	Azoulay	.....	D14/250
D699,947 S	*	2/2014	To	.....	D14/250
D700,778 S	*	3/2014	To	.....	D14/250
D707,669 S	*	6/2014	Guzman	.....	D14/250
D710,611 S	*	8/2014	To	.....	D14/250
D712,389 S	*	9/2014	Namminga	.....	D14/250
D712,390 S	*	9/2014	Namminga	.....	D14/250
D716,782 S	*	11/2014	Macrina	.....	D14/250
D717,287 S	*	11/2014	Macrina	.....	D14/250
D717,288 S	*	11/2014	Adams	.....	D14/250

D717,779 S	*	11/2014	Dong	.....	D14/250
D718,294 S	*	11/2014	Barfoot	.....	D14/250
D719,144 S	*	12/2014	Eulette	.....	D14/250
D719,145 S	*	12/2014	Barfoot	.....	D14/250
D721,071 S	*	1/2015	Nelson	.....	D14/250
D728,548 S	*	5/2015	Keung	.....	D14/250
9,172,781 B1	*	10/2015	Goldstein	.....	H04M 1/0202
D742,868 S	*	11/2015	Odhwani	.....	D14/250
D745,505 S	*	12/2015	Barfoot	.....	D14/250
D746,802 S	*	1/2016	Mulumudi	.....	D14/250
D747,306 S	*	1/2016	Kim	.....	D14/250
2013/0170823 A1	*	7/2013	McDonald	.....	G03B 17/565 396/428
2013/0193006 A1	*	8/2013	Bergreen	.....	A45C 11/22 206/37

\* cited by examiner

*Primary Examiner* — Susan E Krakower  
*Assistant Examiner* — L. A. Grabenstetter

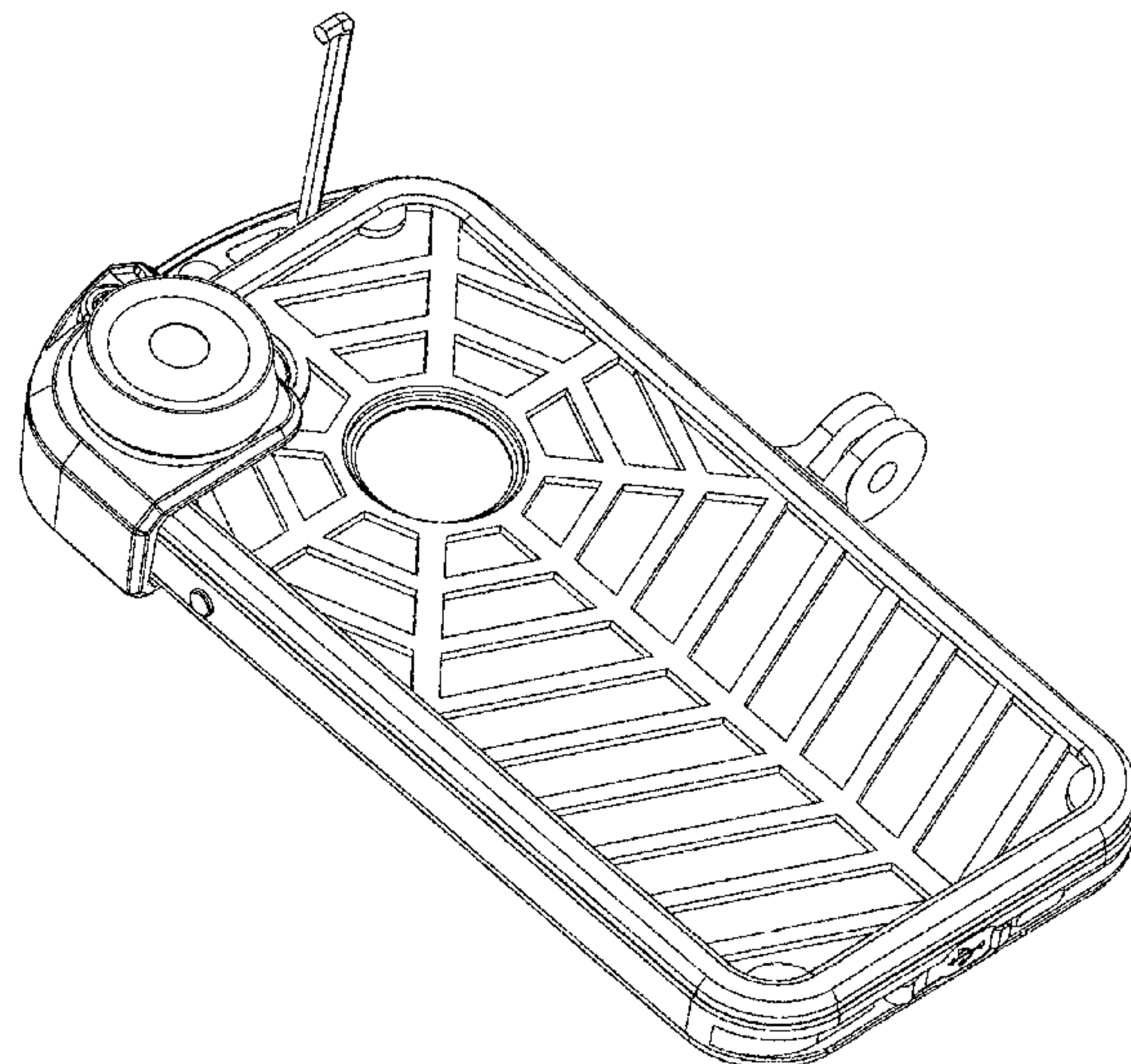
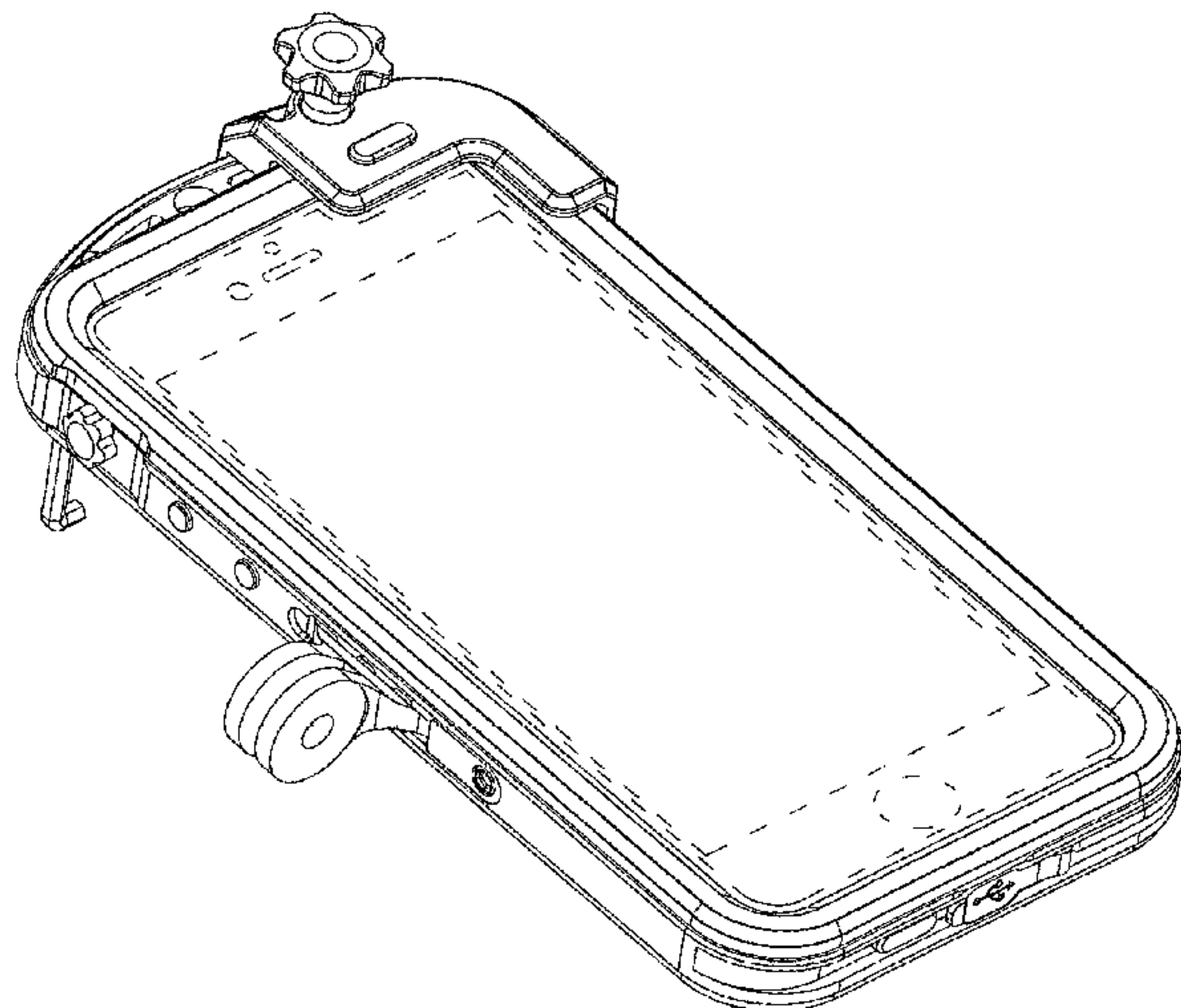
(57) **CLAIM**

The ornamental design for a phone case, as shown and described.

**DESCRIPTION**

FIG. 1 is a front elevational view of a phone case showing my new design;  
FIG. 2 is a rear elevational view thereof;  
FIG. 3 is a left side view thereof;  
FIG. 4 is a right side view thereof;  
FIG. 5 is a top plan view thereof;  
FIG. 6 is a bottom plan view thereof;  
FIG. 7 is a perspective view thereof;  
FIG. 8 is a second perspective view thereof;  
FIG. 9 is a third perspective view thereof;  
FIG. 10 is a fourth perspective view thereof; and,  
FIG. 11 is a fifth perspective view thereof.  
The broken lines shown in Figs. form no part of the claimed design.

**1 Claim, 10 Drawing Sheets**



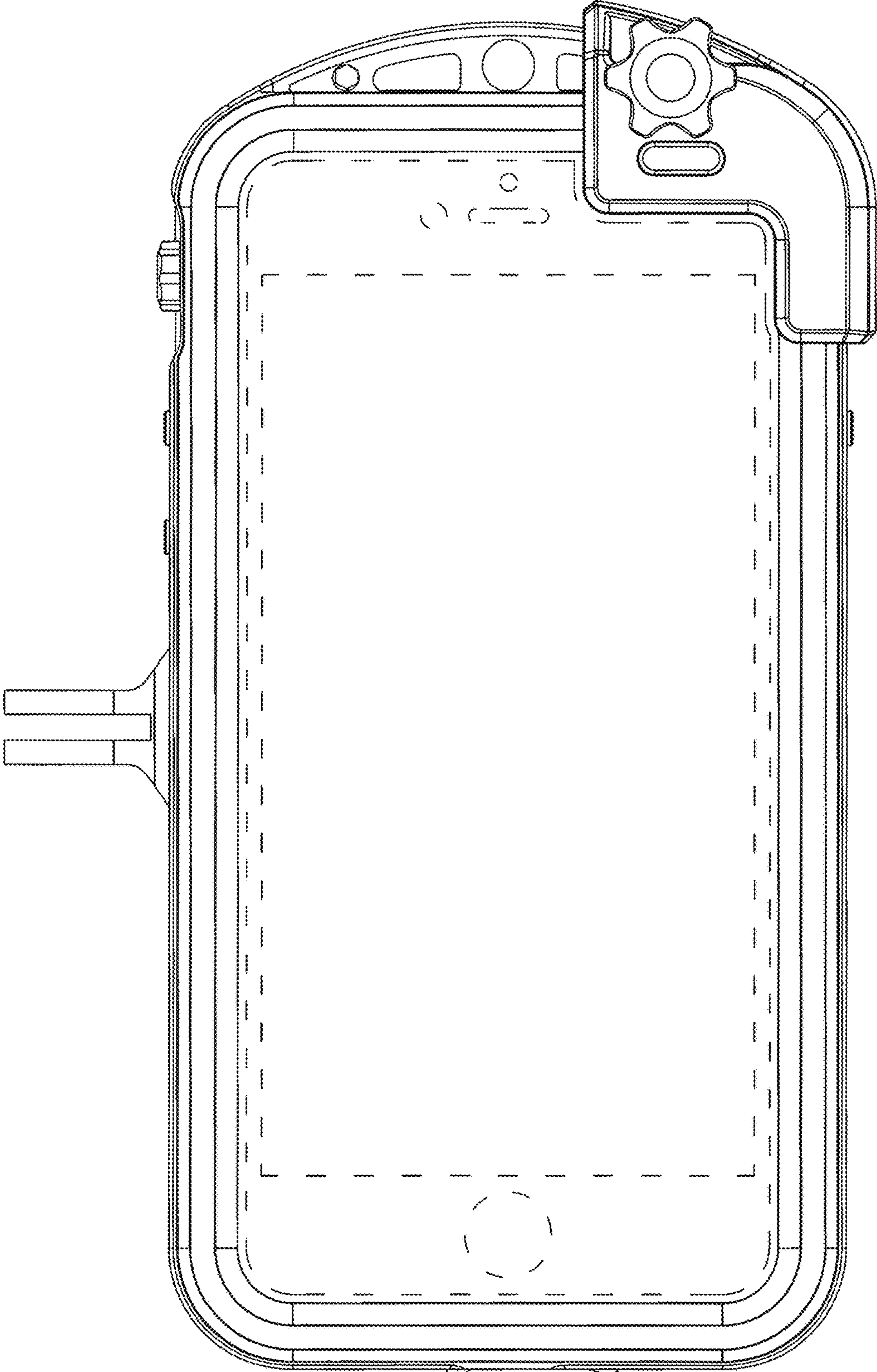


FIG. 1



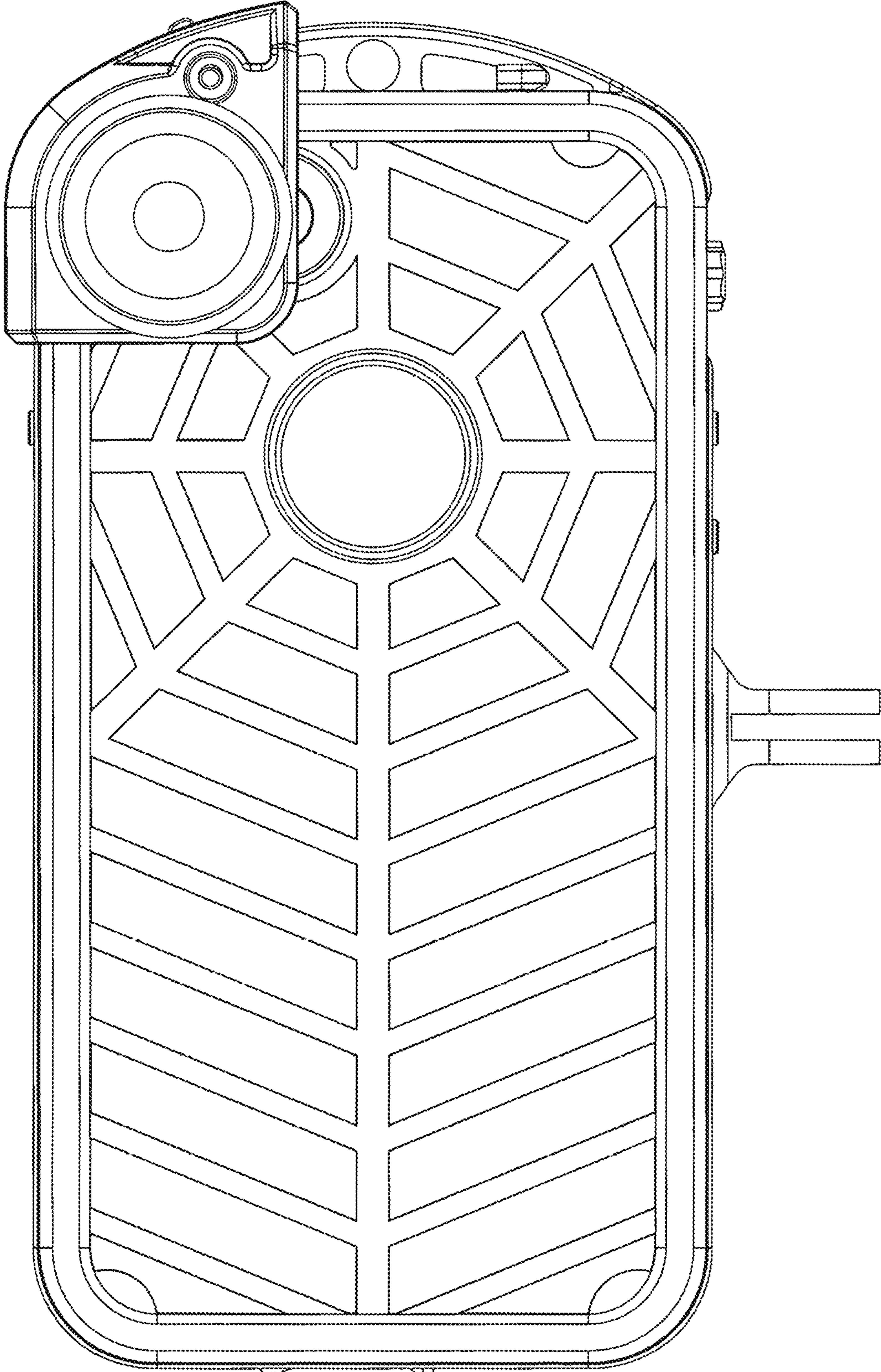


FIG. 2

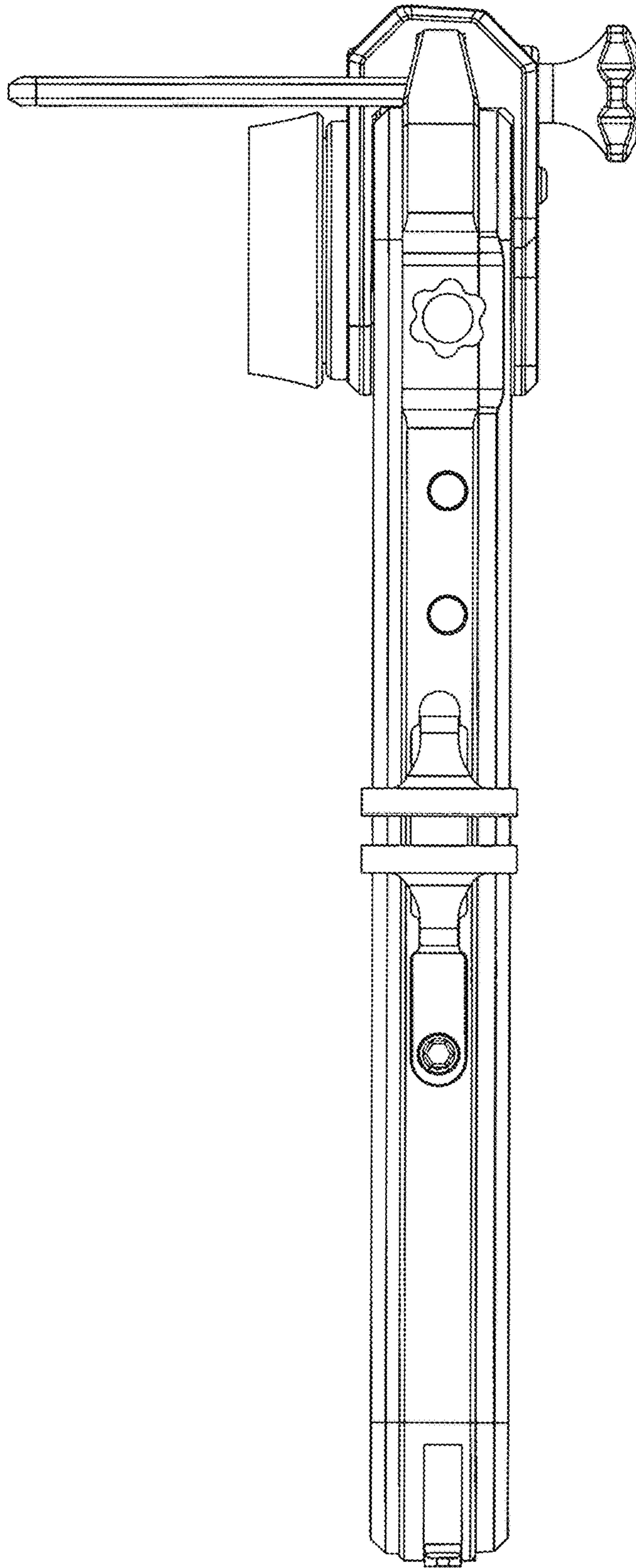


FIG. 3

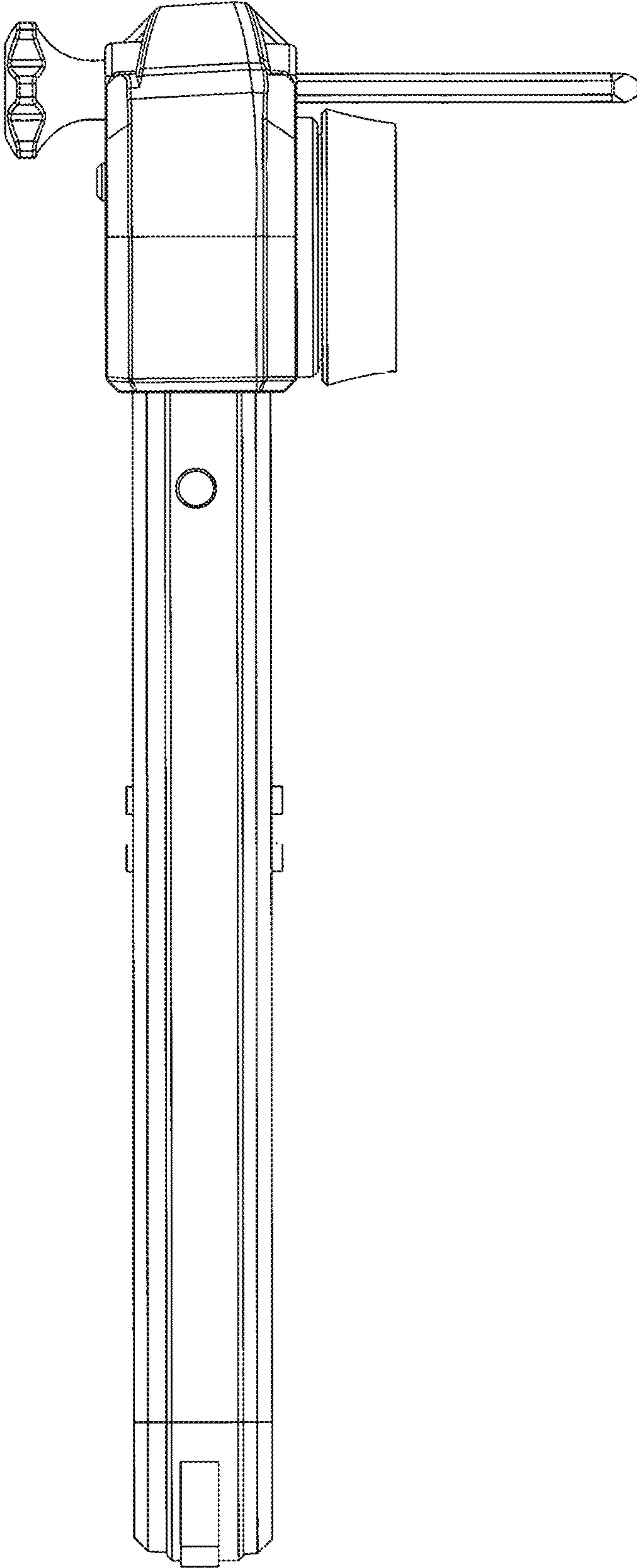


FIG. 4

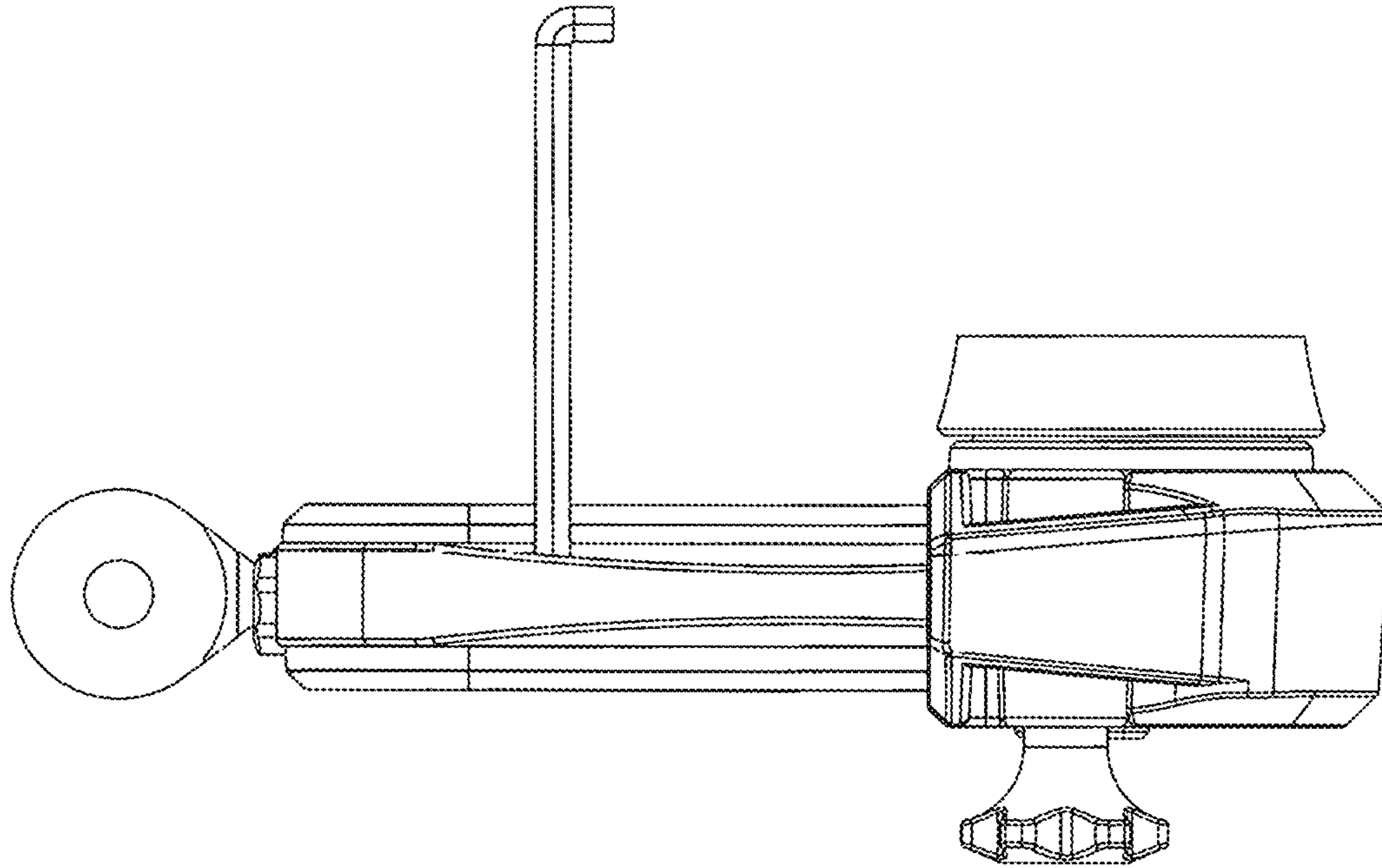


FIG. 5

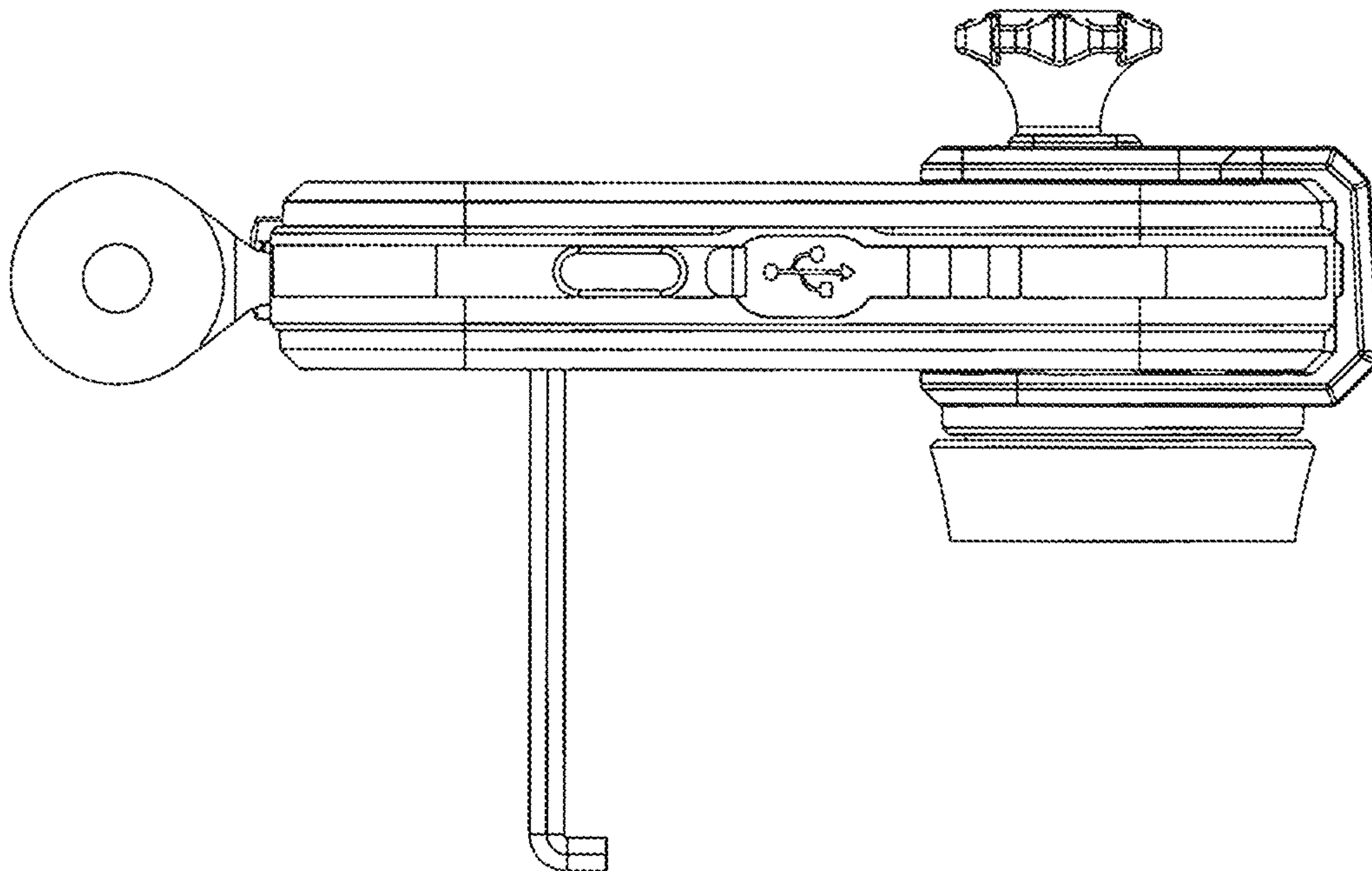


FIG. 6



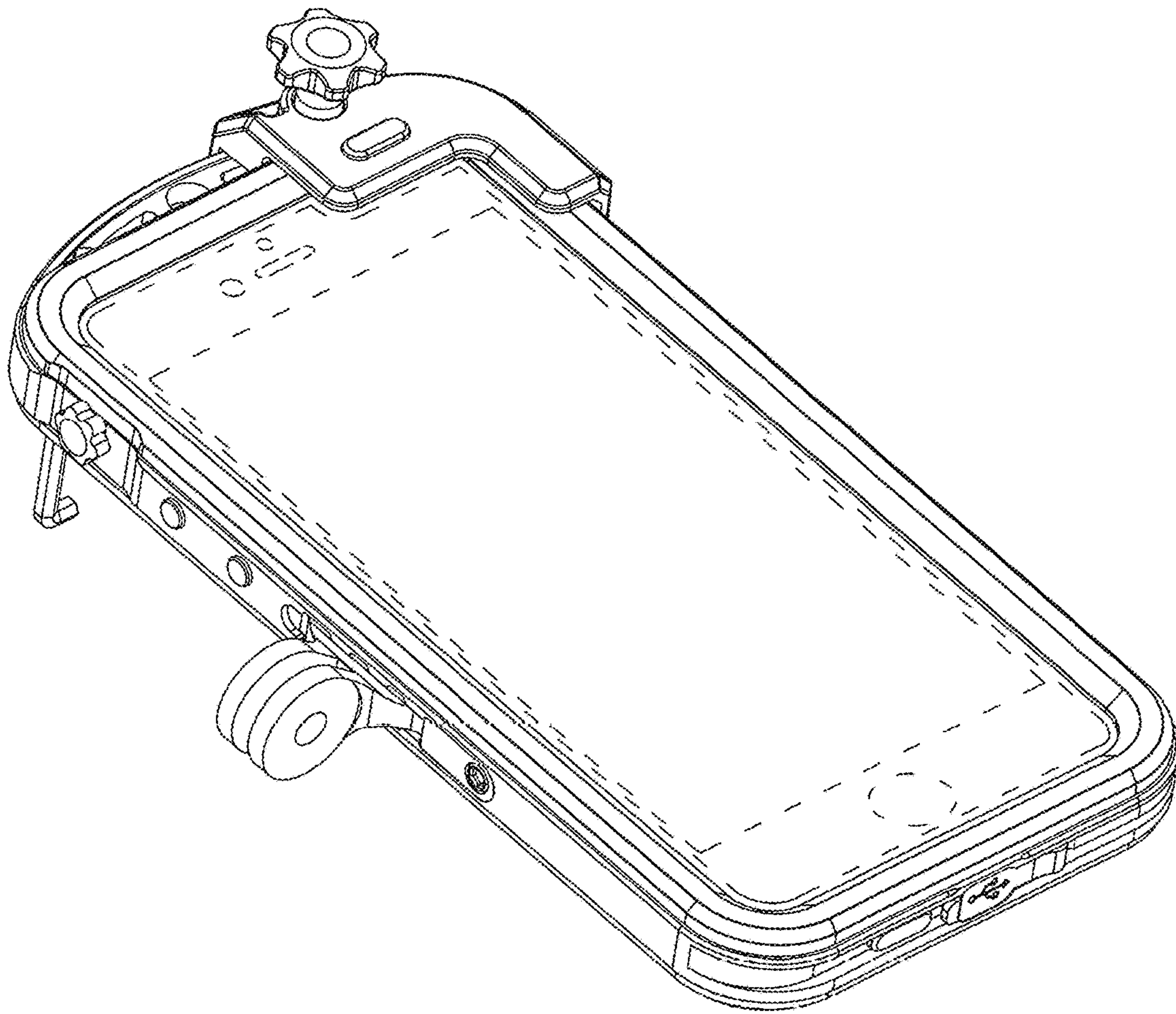


FIG. 7

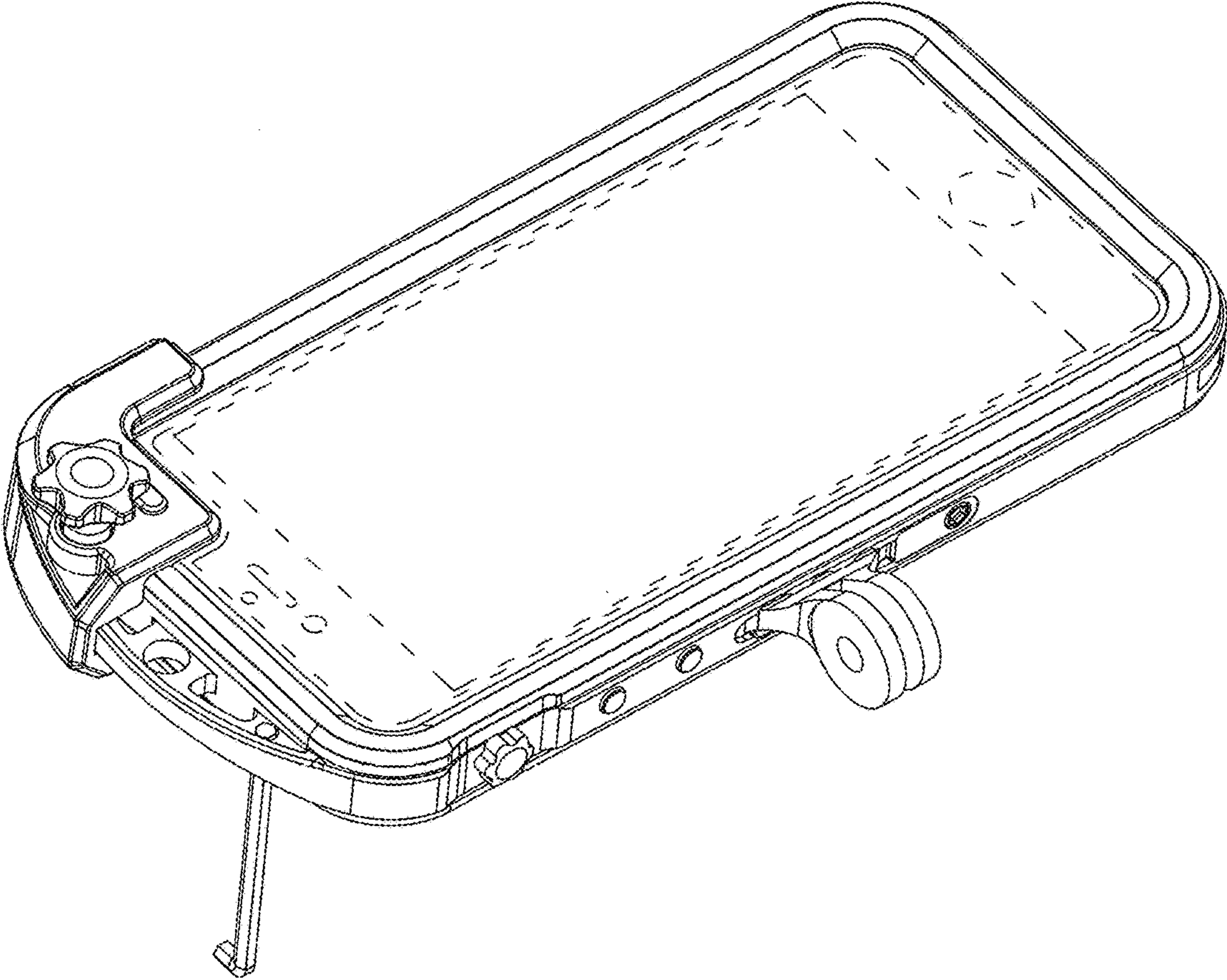


FIG. 8



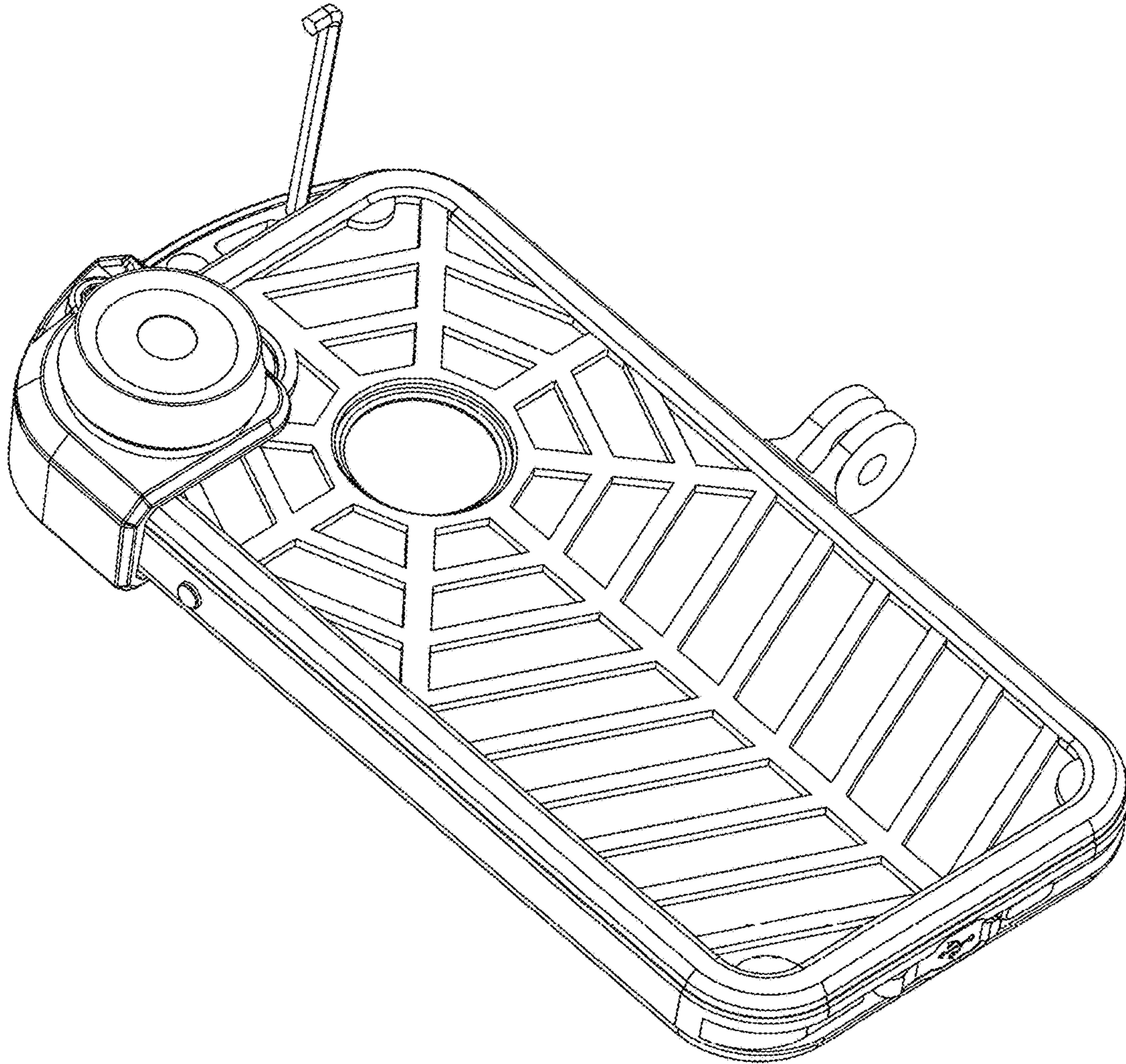


FIG. 9

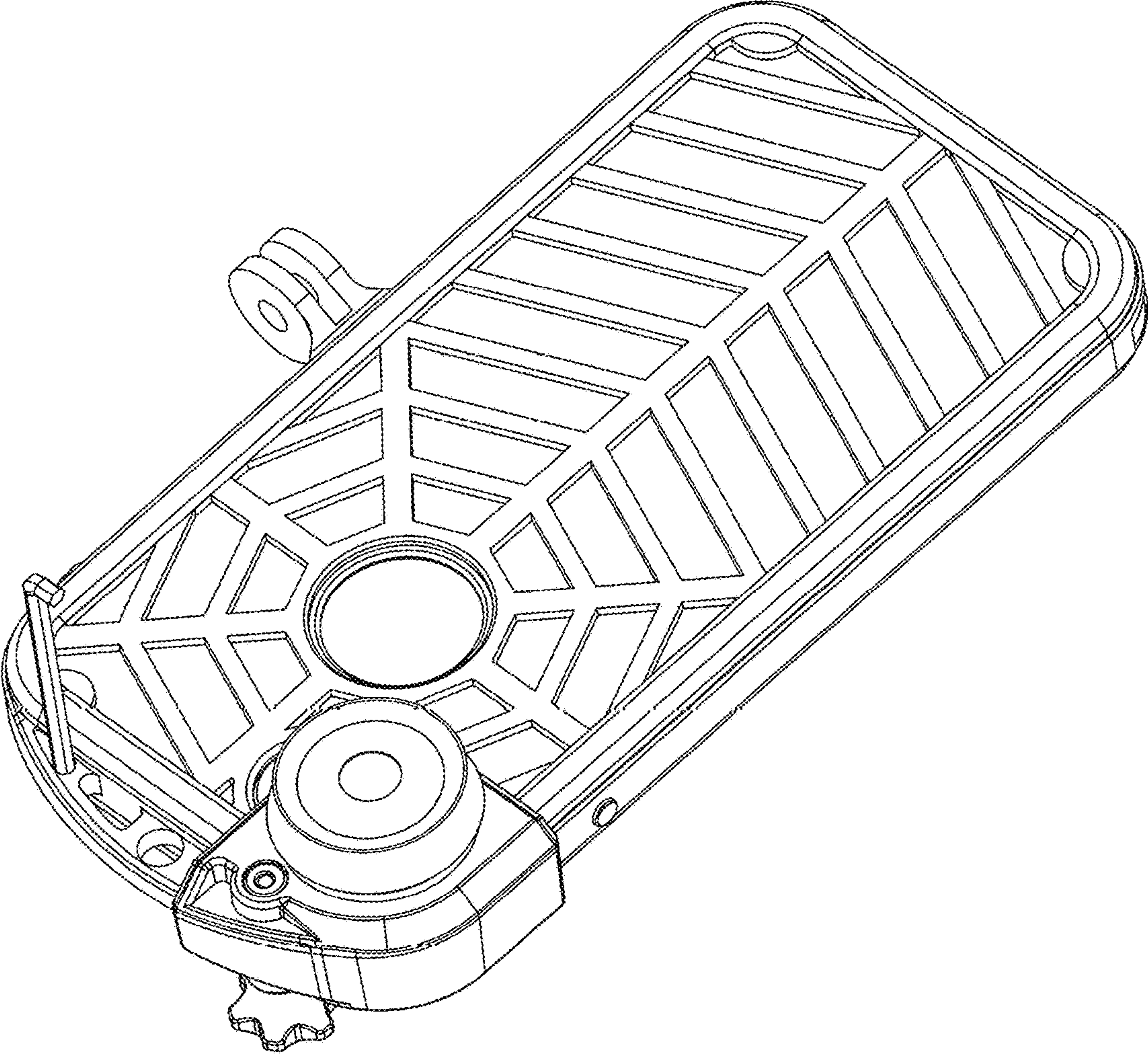


FIG. 10

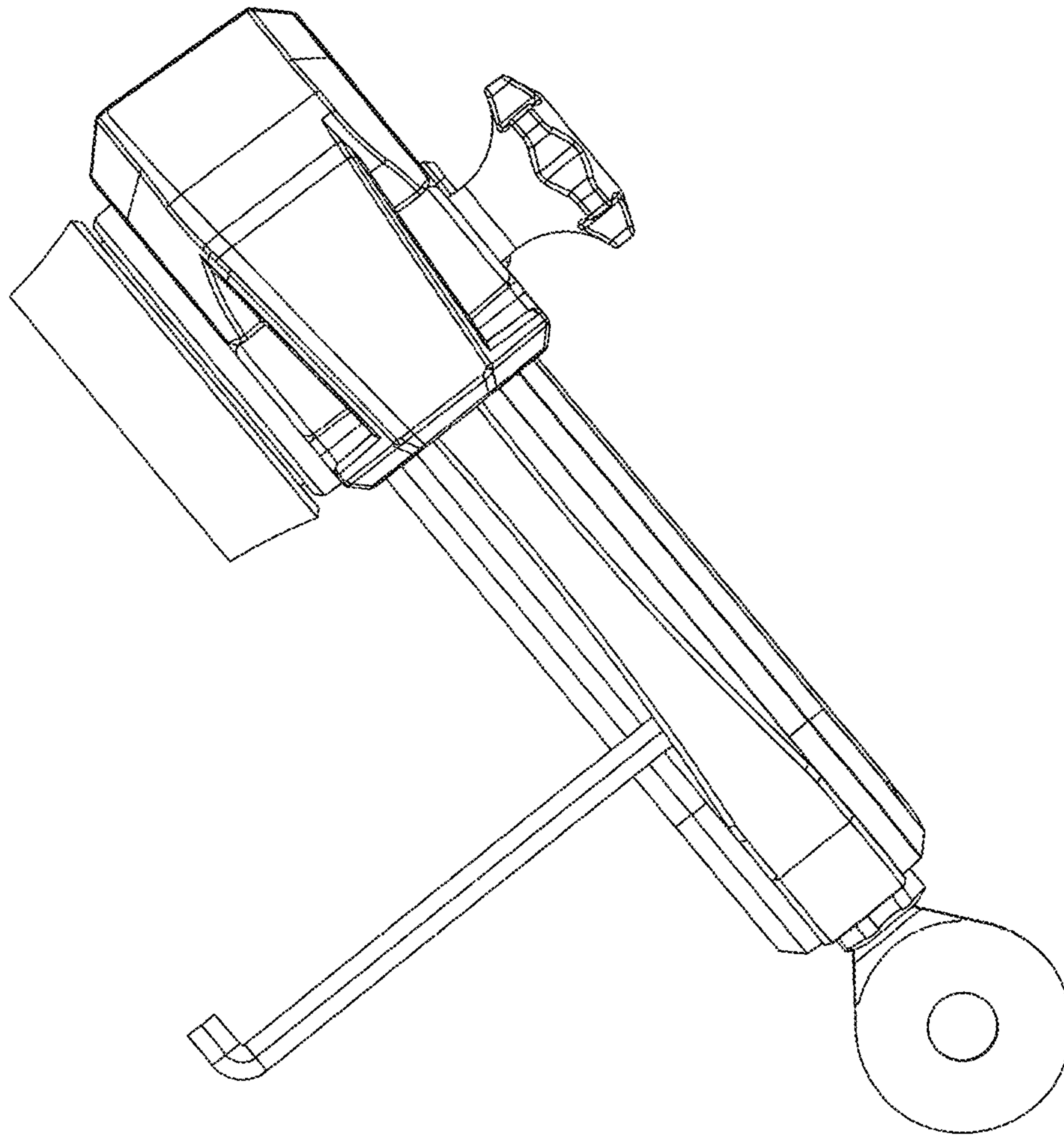


FIG. 11