



US00D821381S

(12) **United States Design Patent** (10) **Patent No.:** **US D821,381 S**  
**Azodi** (45) **Date of Patent:** **\*\* Jun. 26, 2018**

(54) **INTERCHANGEABLY ATTACHABLE ACCESSORY FOR MOBILE PHONE CASE**

(71) Applicant: **Innovative Music, LLC**, Las Vegas, NV (US)

(72) Inventor: **Shervin Azodi**, Irvine, CA (US)

(73) Assignee: **Innovative Music, LLC**, Las Vegas, NV (US)

(\*\*) Term: **15 Years**

(21) Appl. No.: **29/574,179**

(22) Filed: **Aug. 12, 2016**

(51) **LOC (11) Cl.** ..... **14-03**

(52) **U.S. Cl.**

USPC ..... **D14/250**

(58) **Field of Classification Search**

USPC ..... D14/143, 189, 203.2–203.7, 217, 238.1, D14/240, 248, 250–253, 440, 447, 496; D3/201, 218, 247–251, 269, 273, 301, D3/303, 203.2–203.8, 901; D13/103, D13/107–108, 119; D9/432; D28/73, D28/76–84, 64.3; D19/35, 36

CPC ..... A45C 1/06; A45C 11/00; A45C 13/02; A45C 2011/002; A45F 2005/026; A45F 2200/0525; A45F 2200/0516; H04B 1/3888; H04M 1/0283; H04M 1/0202

See application file for complete search history.

(56) **References Cited**

**U.S. PATENT DOCUMENTS**

D398,521 S \* 9/1998 Coe ..... D3/203.3  
D407,856 S \* 4/1999 Orsomando ..... D28/83  
D410,769 S \* 6/1999 Dorizas ..... D3/201  
D411,648 S \* 6/1999 Markham ..... D28/77  
D570,095 S \* 6/2008 Ullersted ..... D3/203.2  
D589,699 S \* 4/2009 Silvera ..... D3/218  
D590,151 S \* 4/2009 Karobkina ..... D3/247

(Continued)

**OTHER PUBLICATIONS**

The Pout Case Has a Built-In Slide-Out Drawer for Makeup, posted at trendhunter.com, date posted Jun. 12, 2017, [online], acquired on Jan. 2, 2018. Available from Internet, <URL: https://www.trendhunter.com/trends/pout-case> (Year: 2017).\*

(Continued)

*Primary Examiner* — Cathron C Brooks

*Assistant Examiner* — Aula Soroush

(74) *Attorney, Agent, or Firm* — Knobbe Martens Olson & Bear LLP

(57) **CLAIM**

The ornamental design for an interchangeably attachable accessory for mobile phone case, as shown and described.

**DESCRIPTION**

FIG. 1 is a right front perspective view of an interchangeably attachable accessory for mobile phone case embodying the new design in a closed configuration.

FIG. 2 is a left rear perspective view thereof.

FIG. 3 is a front view thereof.

FIG. 4 is a rear view.

FIG. 5 is a left view.

FIG. 6 is a right view.

FIG. 7 is a bottom view.

FIG. 8 is a top view.

FIG. 9 is a perspective view of an interchangeably attachable accessory for mobile phone case according to FIG. 1 in an open configuration.

FIG. 10 is a right front perspective view thereof.

FIG. 11 is a left rear perspective view thereof.

FIG. 12 is a front view thereof.

FIG. 13 is a rear view.

FIG. 14 is a left view.

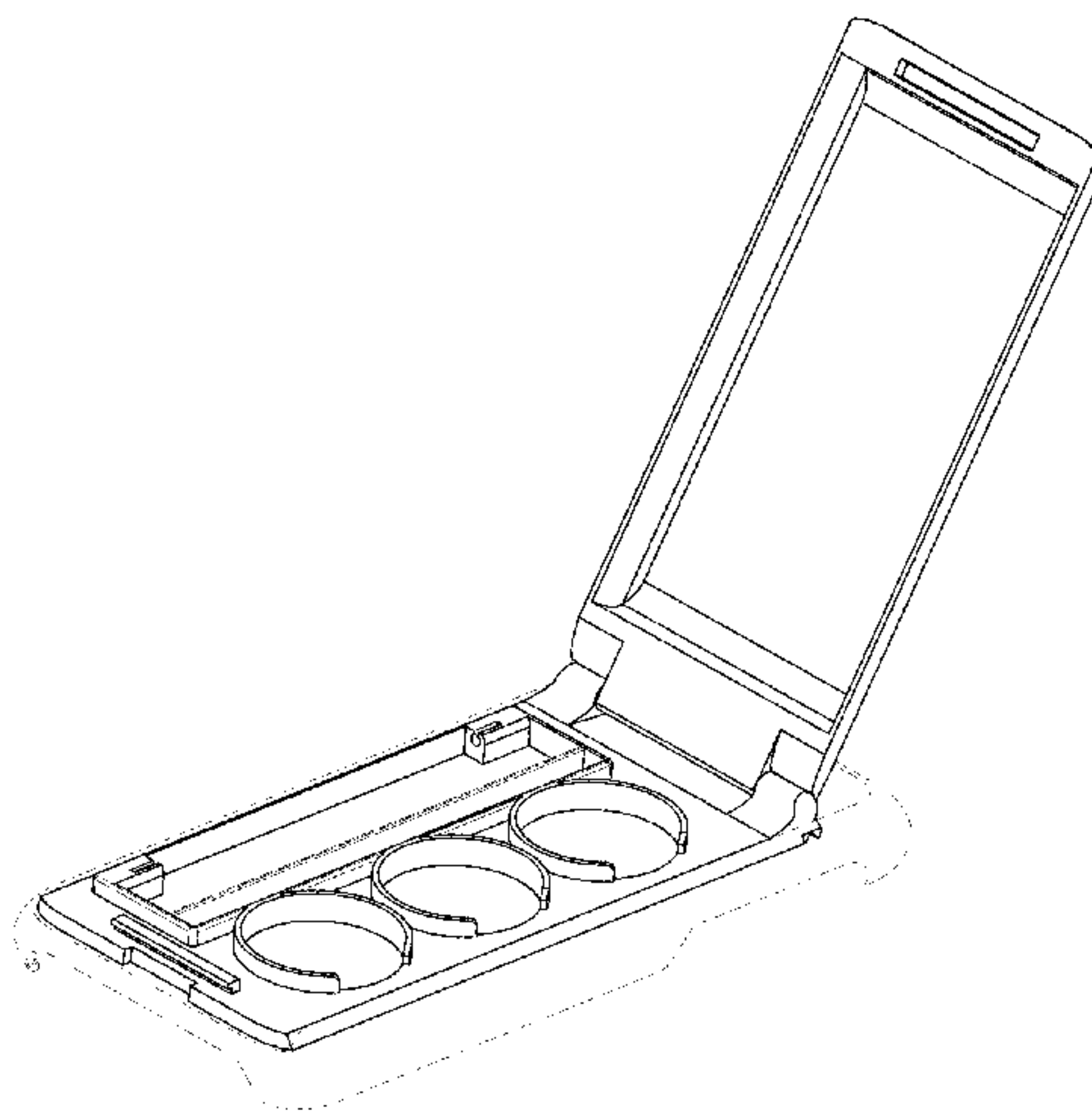
FIG. 15 is a right view.

FIG. 16 is a top view; and,

FIG. 17 is a bottom view.

Broken lines in the drawings illustrate environmental structure which forms no part of the claimed design.

**1 Claim, 15 Drawing Sheets**



(56)

**References Cited**

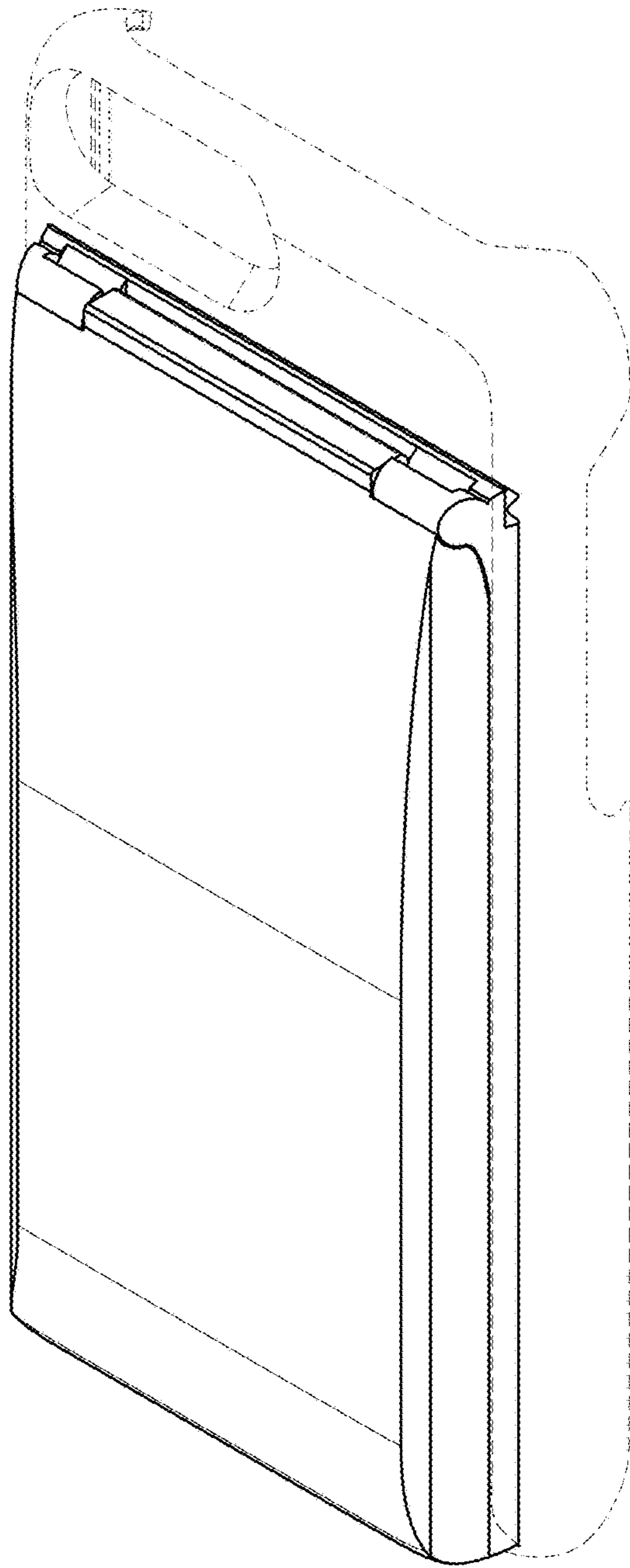
U.S. PATENT DOCUMENTS

D594,599	S	*	6/2009	Thorpe	.....	D28/83
D637,591	S	*	5/2011	Willes	.....	D14/250
D688,831	S	*	8/2013	Giardina	.....	D28/83
D694,009	S	*	11/2013	D'Amore	.....	D3/249
D697,716	S	*	1/2014	Owen	.....	D3/303
D706,536	S	*	6/2014	Nikosey	.....	D3/247
D707,965	S	*	7/2014	Requa	.....	D3/247
D714,058	S	*	9/2014	Owen	.....	D3/247
D719,950	S	*	12/2014	Smith	.....	D14/250
D722,724	S	*	2/2015	Guor	.....	D28/83
D726,171	S	*	4/2015	Edwards	.....	D14/250
D759,966	S	*	6/2016	Pignotti	.....	D3/247
D772,212	S	*	11/2016	Daniel	.....	D14/250
D793,379	S	*	8/2017	Zhang	.....	D14/250

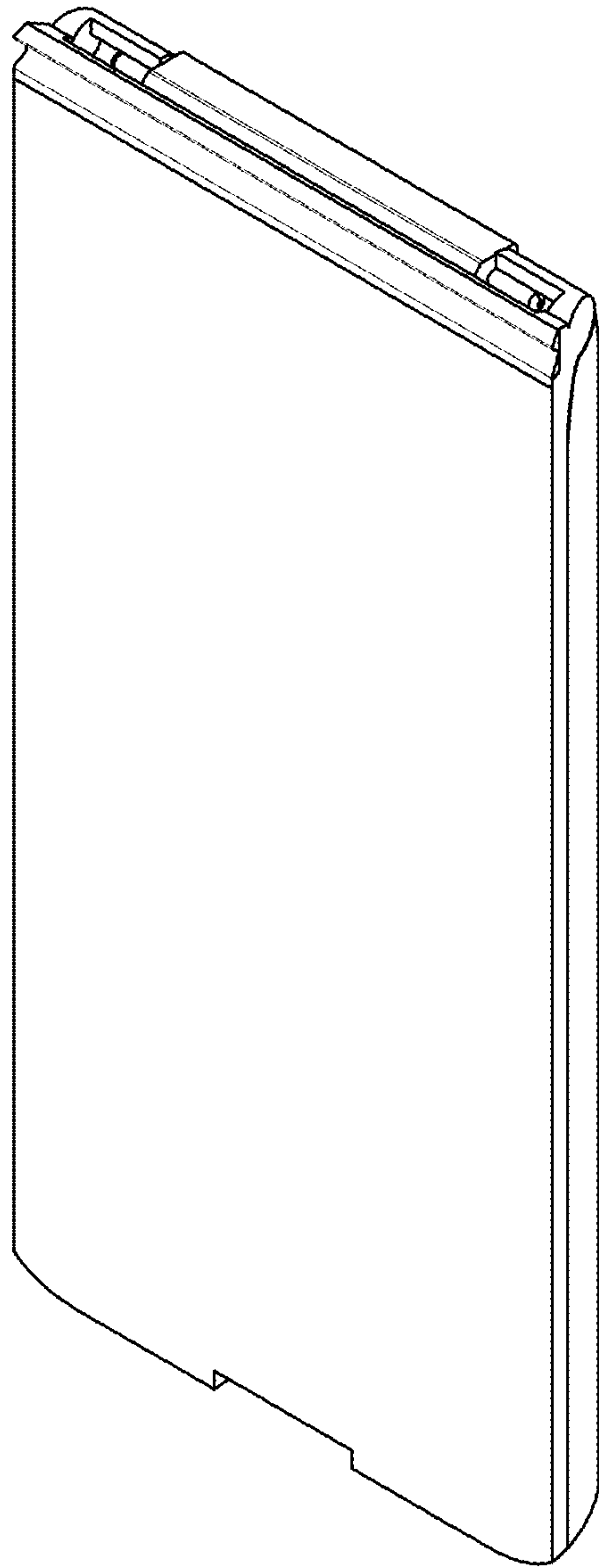
OTHER PUBLICATIONS

MedeStat to crowdfund a pillbox case, posted at mobihealthnews.com, date posted Apr. 8, 2014, [online], acquired on Jan. 2, 2018. Available from Internet, <URL: <http://www.mobihealthnews.com/31849/medestat-to-crowdfund-a-pillbox-case-for-smartphones>> (Year: 2014).\*

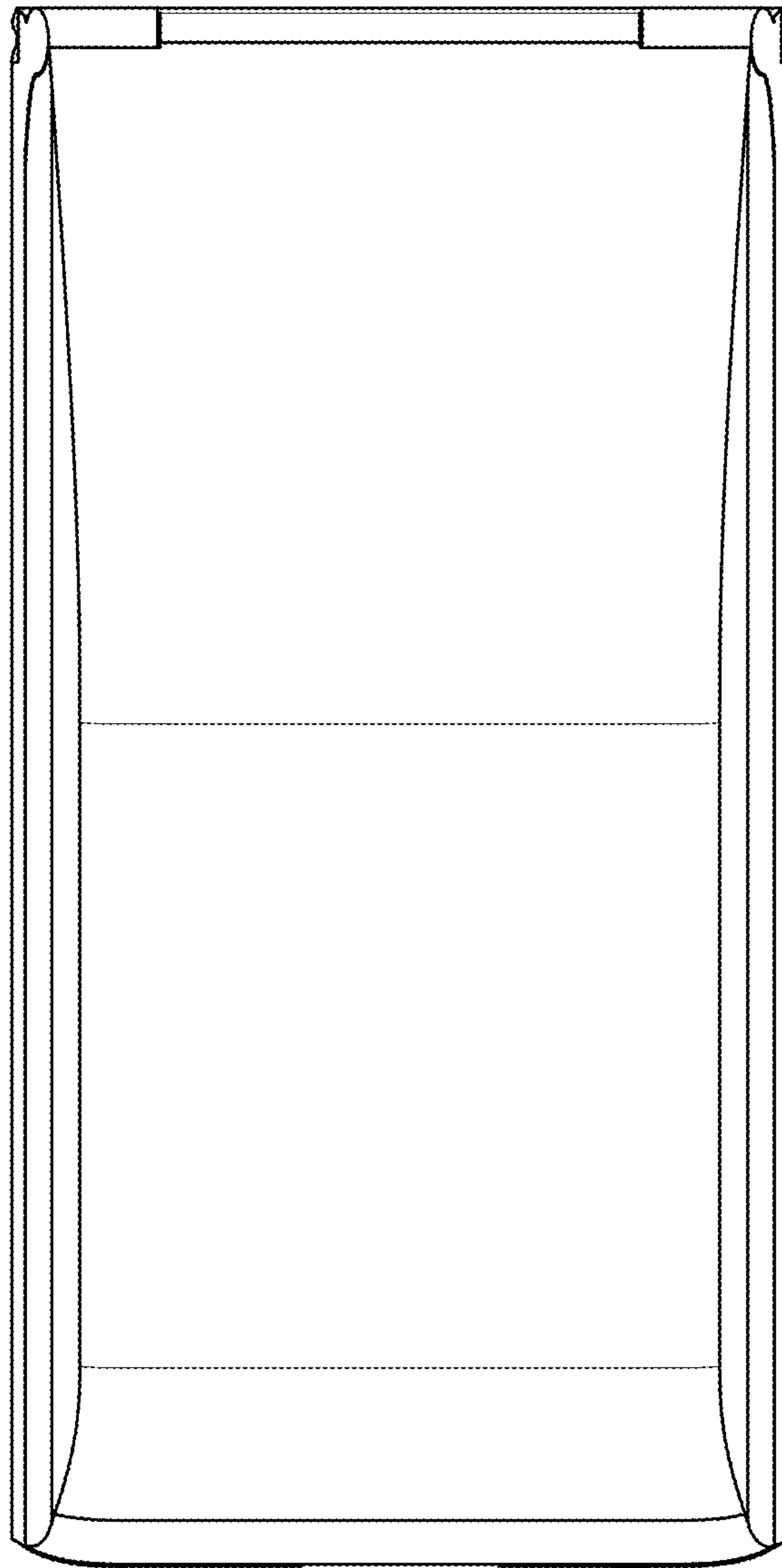
\* cited by examiner



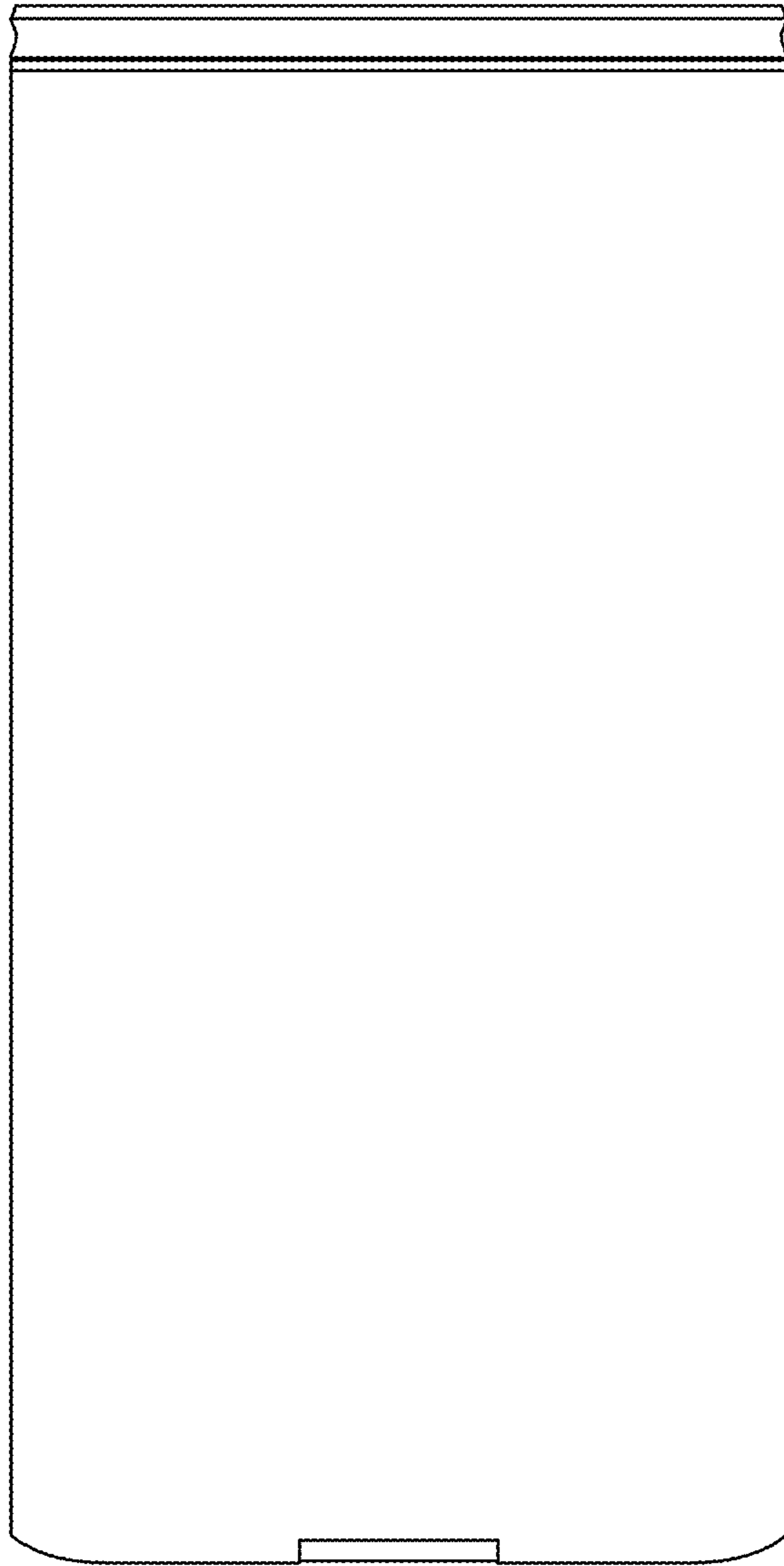
*FIG. 1*



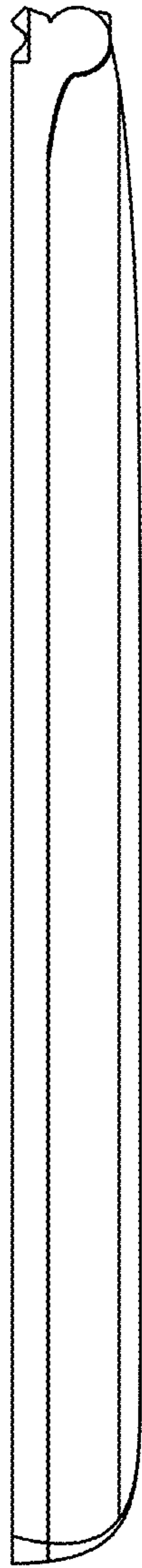
*FIG. 2*



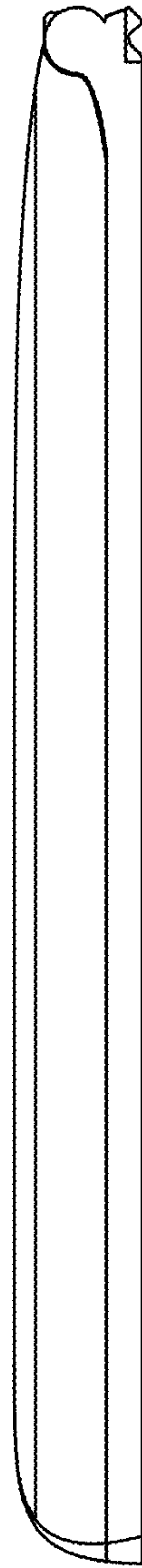
*FIG. 3*



*FIG. 4*

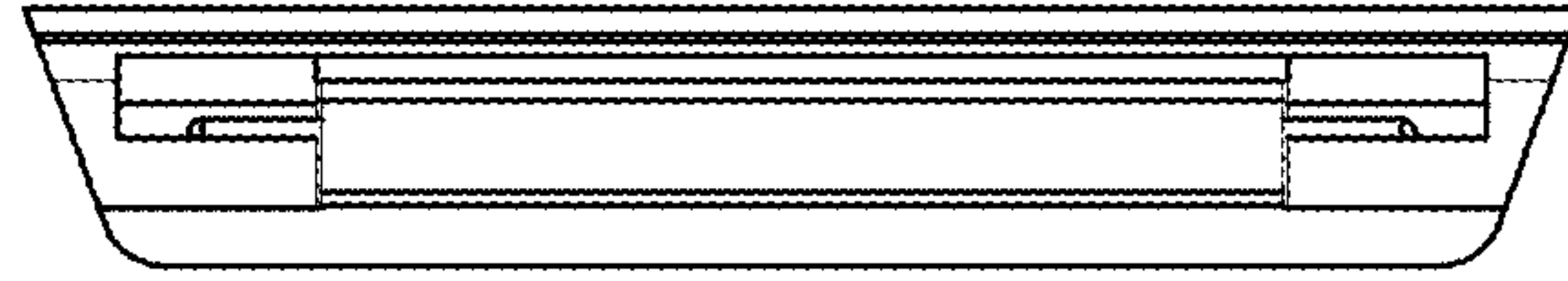


*FIG. 5*



*FIG. 6*





*FIG. 7*



*FIG. 8*



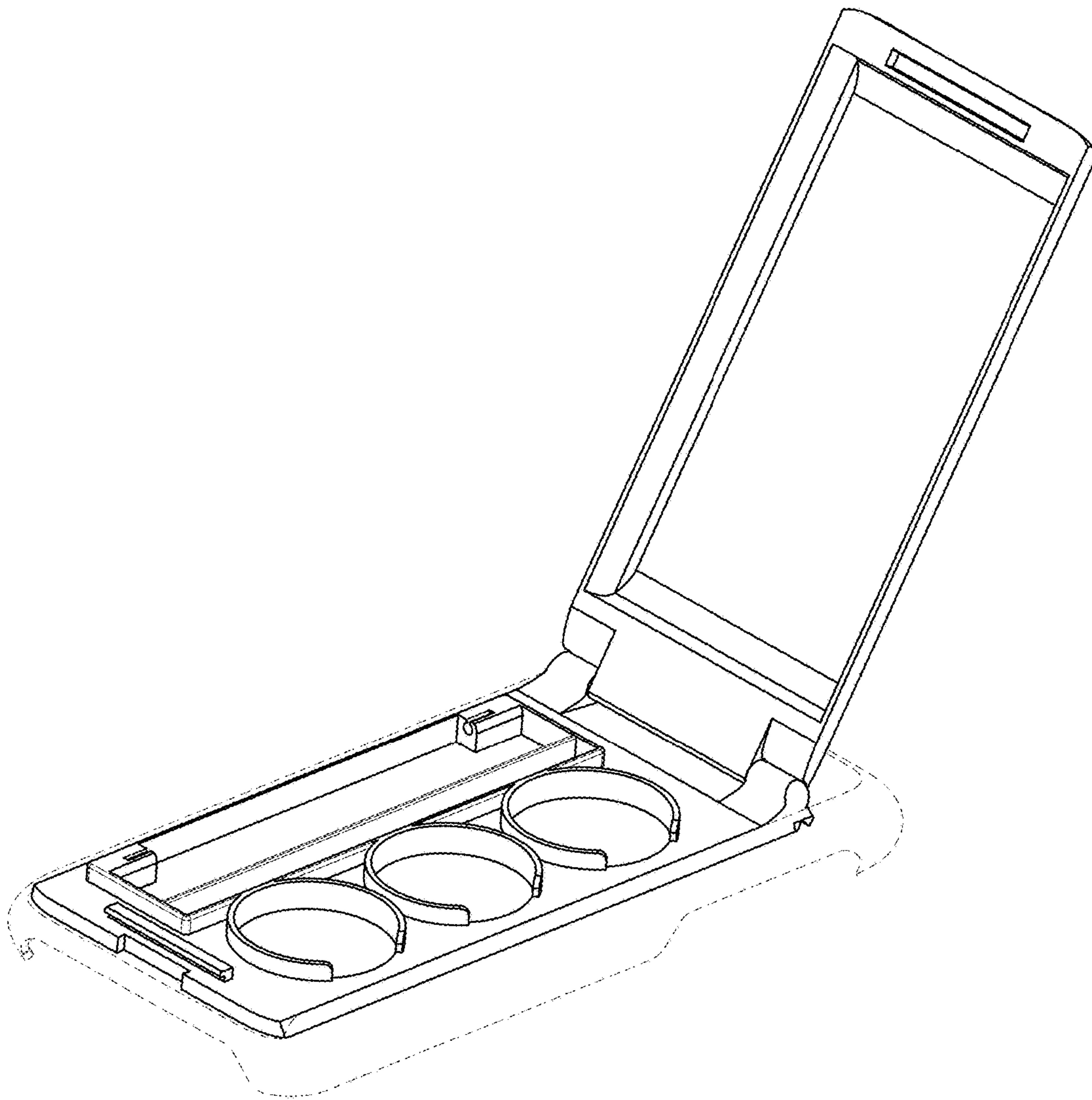


FIG. 9

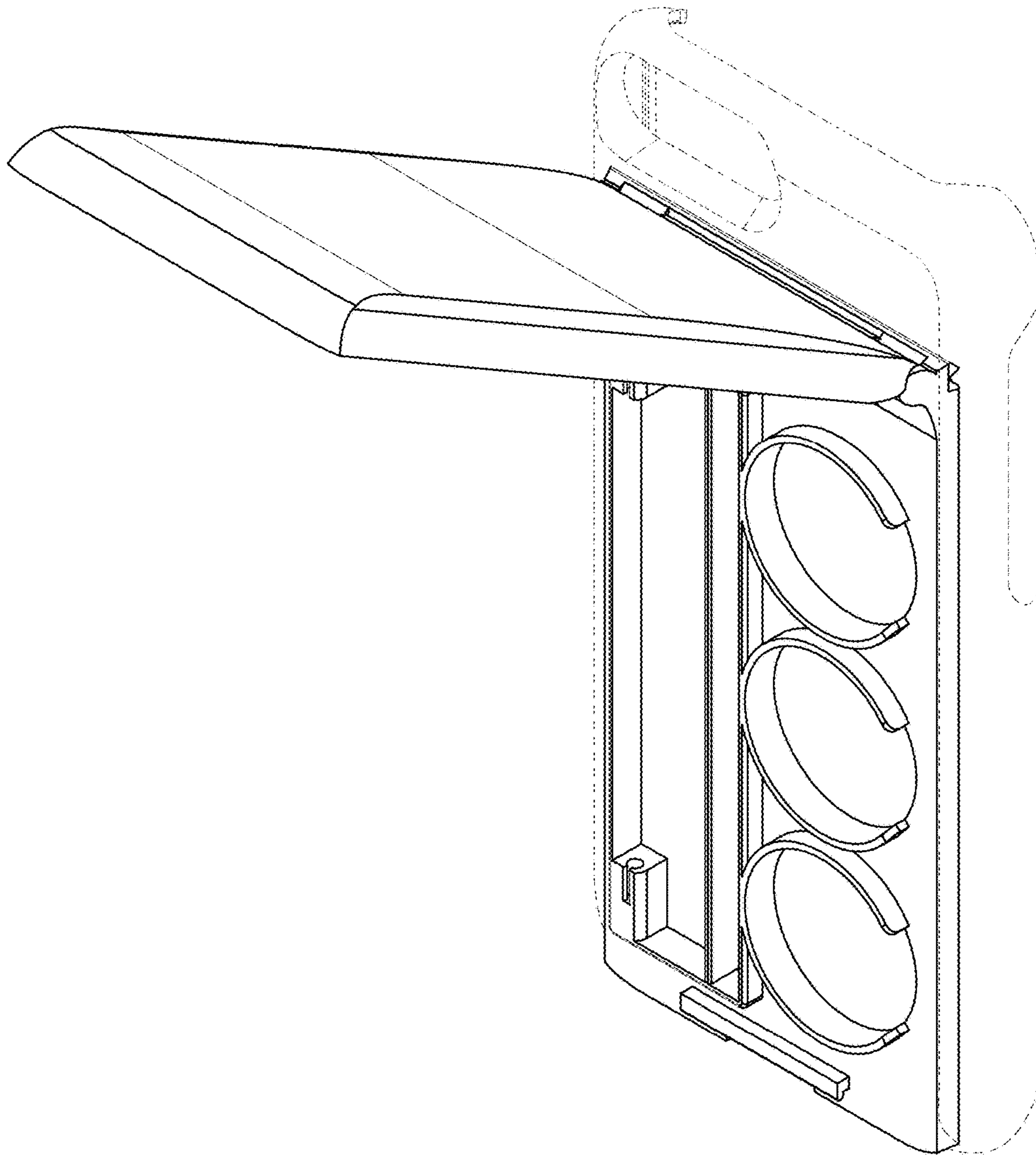
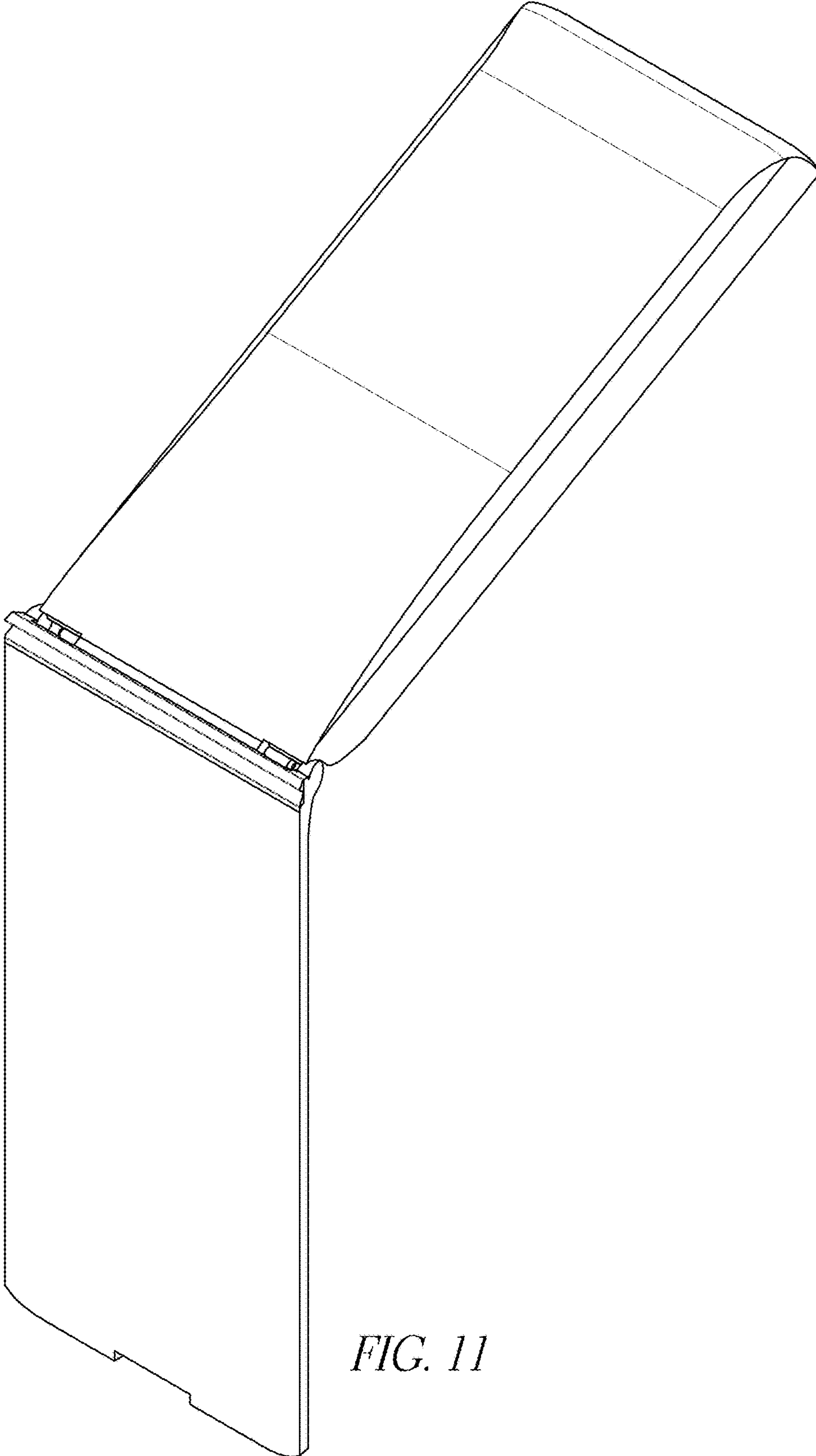


FIG. 10



*FIG. 11*

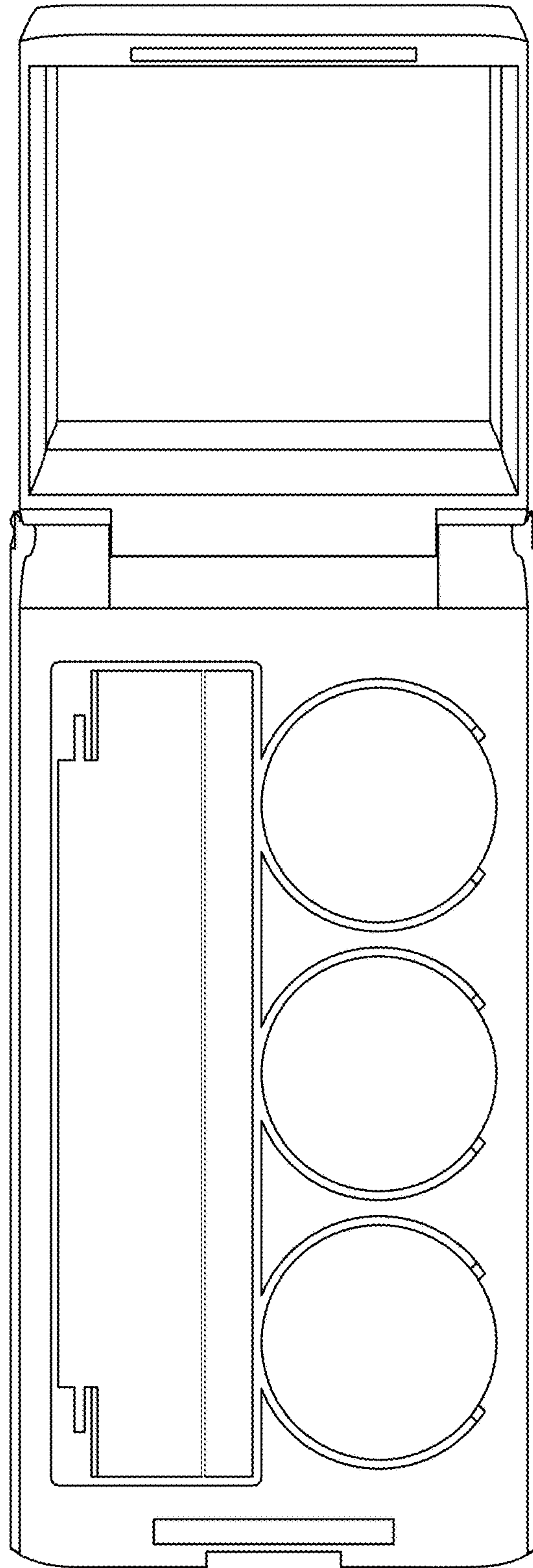
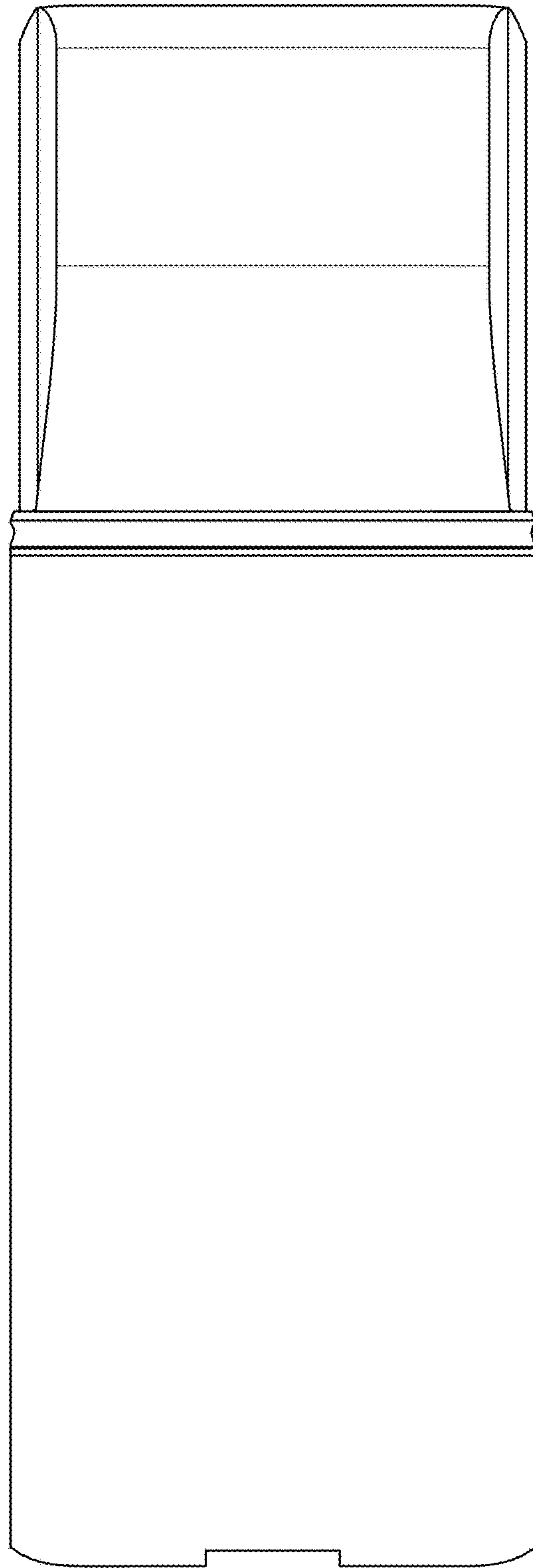
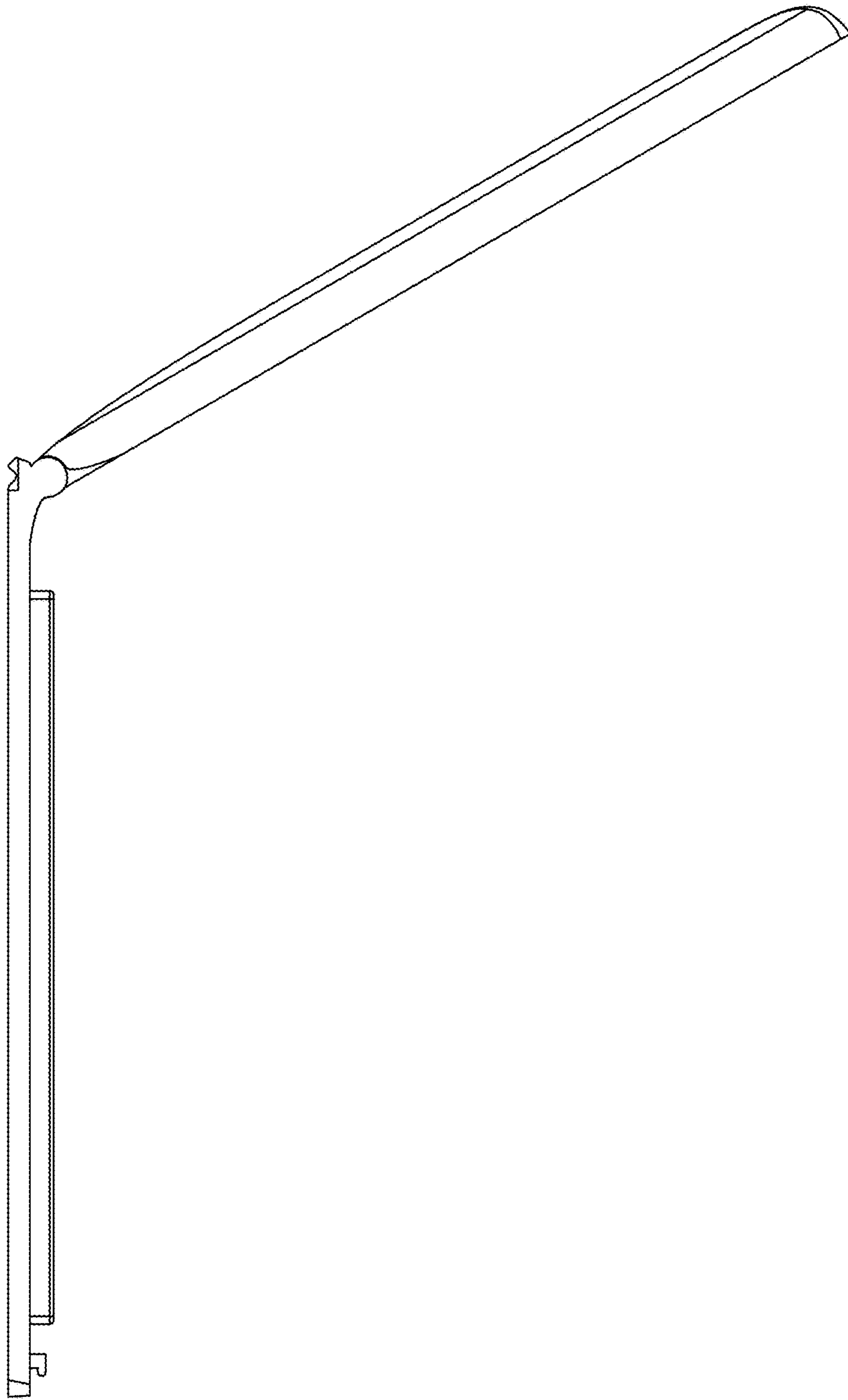


FIG. 12



*FIG. 13*



*FIG. 14*

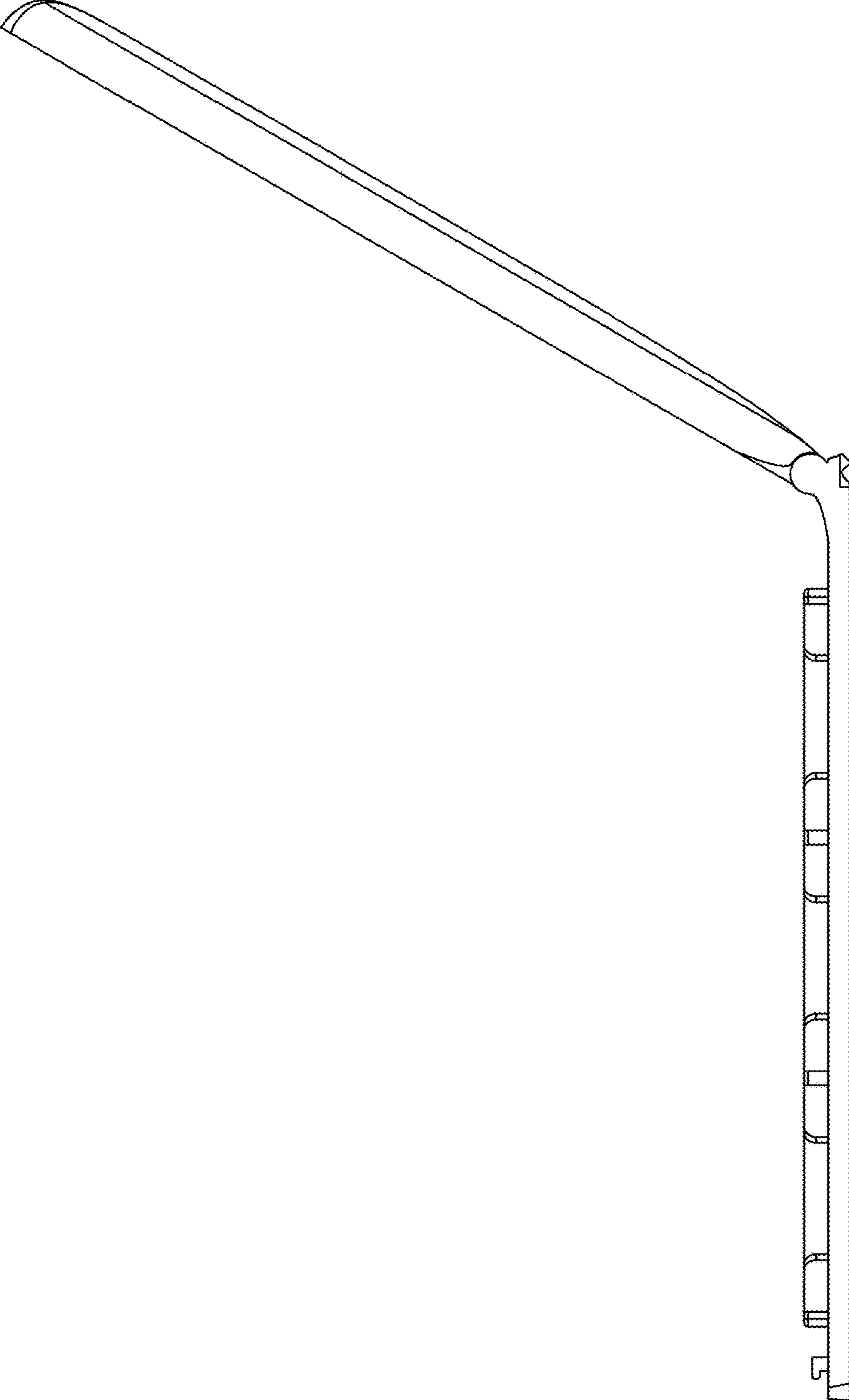
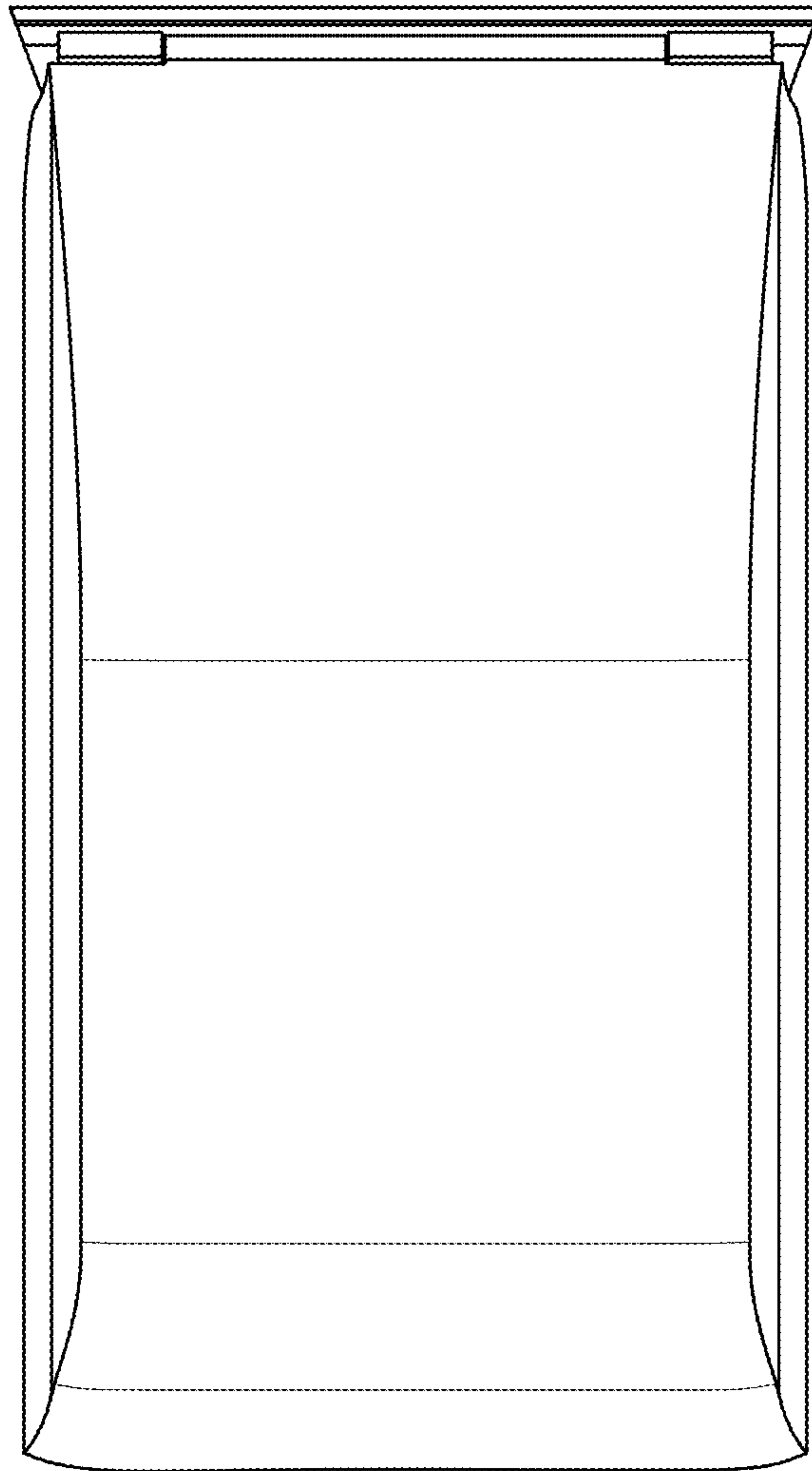
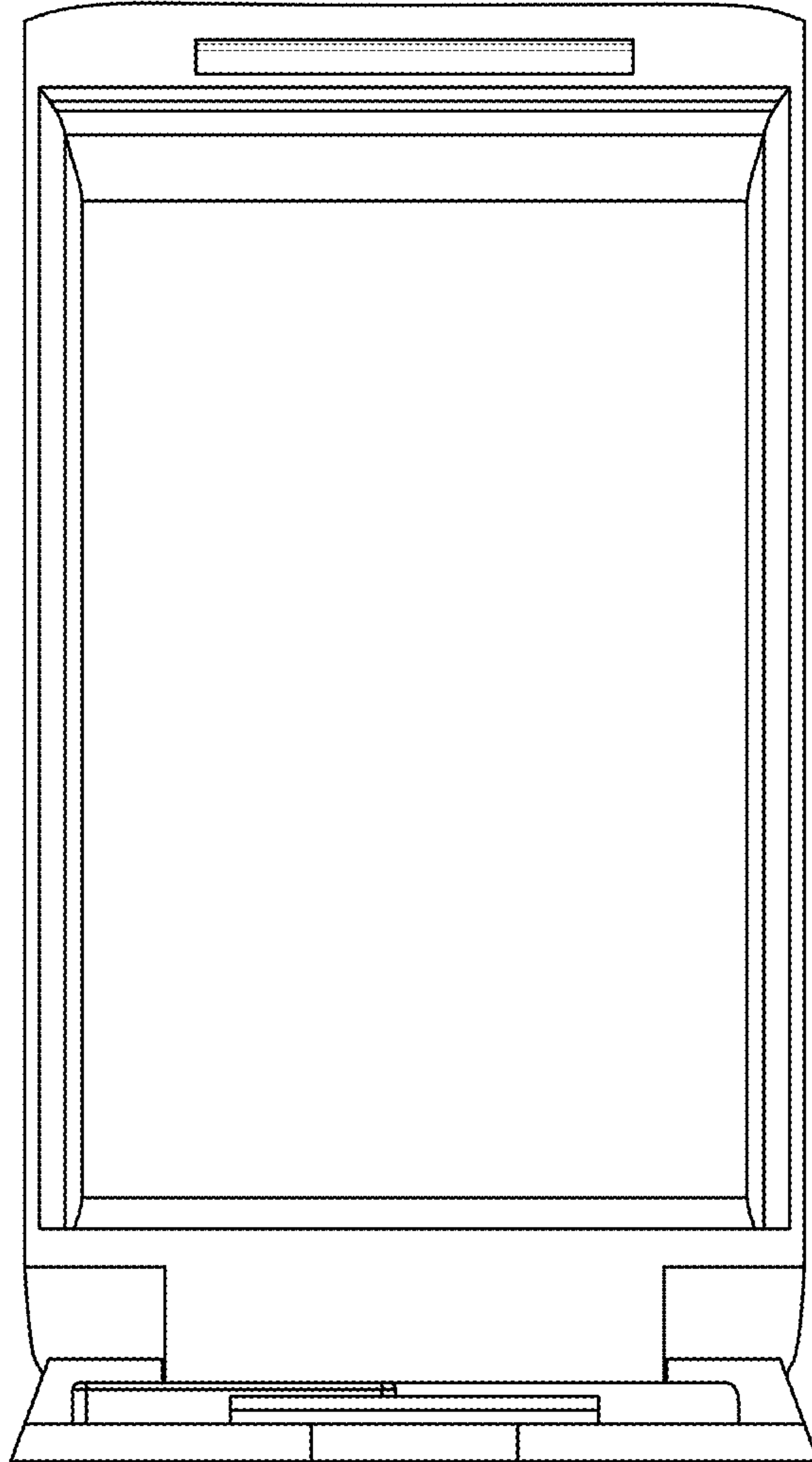


FIG. 15





*FIG. 16*



*FIG. 17*