



US00D821372S

(12) **United States Design Patent** (10) **Patent No.:** **US D821,372 S**  
**Lee et al.** (45) **Date of Patent:** **\*\* Jun. 26, 2018**

(54) **STAND FOR TV RECEIVER**

(56) **References Cited**

(71) Applicant: **LG ELECTRONICS INC.**, Seoul (KR)  
(72) Inventors: **Yongho Lee**, Seoul (KR); **Jongchul Kim**, Seoul (KR); **Jeongrok Lee**, Seoul (KR); **Kyongtae Han**, Seoul (KR); **Sunggu Joe**, Seoul (KR)  
(73) Assignee: **LG ELECTRONICS INC.**, Seoul (KR)  
(\*\*) Term: **15 Years**  
(21) Appl. No.: **35/501,819**  
(22) Filed: **May 2, 2016**

U.S. PATENT DOCUMENTS

D527,247 S *	8/2006	Wolff	.....	D8/380
D551,663 S *	9/2007	Kita	.....	D14/239
D639,760 S *	6/2011	Tierney	.....	D14/126
D691,102 S *	10/2013	Park	.....	D14/126
D704,198 S *	5/2014	Kim	.....	D14/447
D723,527 S *	3/2015	Kim	.....	D14/239
D737,805 S *	9/2015	Park	.....	D14/239
D738,359 S *	9/2015	Ryu	.....	D14/239
D739,390 S *	9/2015	Lee	.....	D14/239
D745,864 S *	12/2015	Jung	.....	D14/239
D747,300 S *	1/2016	Kim	.....	D14/239
D748,080 S *	1/2016	Jung	.....	D14/239
D754,085 S *	4/2016	Son	.....	D14/126
D755,164 S *	5/2016	Lee	.....	D14/239
D756,975 S *	5/2016	Jiang	.....	D14/126
D762,624 S *	8/2016	Hu	.....	D14/239

(Continued)

(80) **Hague Agreement Data**

Int. Filing Date: **May 2, 2016**  
Int. Reg. No.: **DM/090597**  
Int. Reg. Date: **May 2, 2016**  
Int. Reg. Pub. Date: **Nov. 4, 2016**

*Primary Examiner* — Mary Ann Calabrese  
*Assistant Examiner* — Jennifer L Rempfer  
(74) *Attorney, Agent, or Firm* — Birch, Stewart, Kolasch & Birch, LLP

(30) **Foreign Application Priority Data**

Nov. 5, 2015 (KR) ..... 30-2015-0055924

(51) **LOC (11) Cl.** ..... **14-03**

(52) **U.S. Cl.**  
USPC ..... **D14/239**

(58) **Field of Classification Search**  
USPC ..... D14/125-134, 239, 371, 136, 374-377, D14/440, 450, 448, 336, 342, 159; D6/477, 479, 300; D20/10, 19, 39; D16/203, 241; D10/15, 26; D21/329, D21/515, 577, 622, 333, 433, 448, 452, D21/450, 331, 505  
CPC .... G06F 1/1601; G06F 1/1643; G06F 1/1652; G06F 1/1647; G06F 3/0412; H05K 5/0004; H05K 5/0017; H05K 5/02; H05K 5/0217; H04N 13/0459  
See application file for complete search history.

(57) **CLAIM**

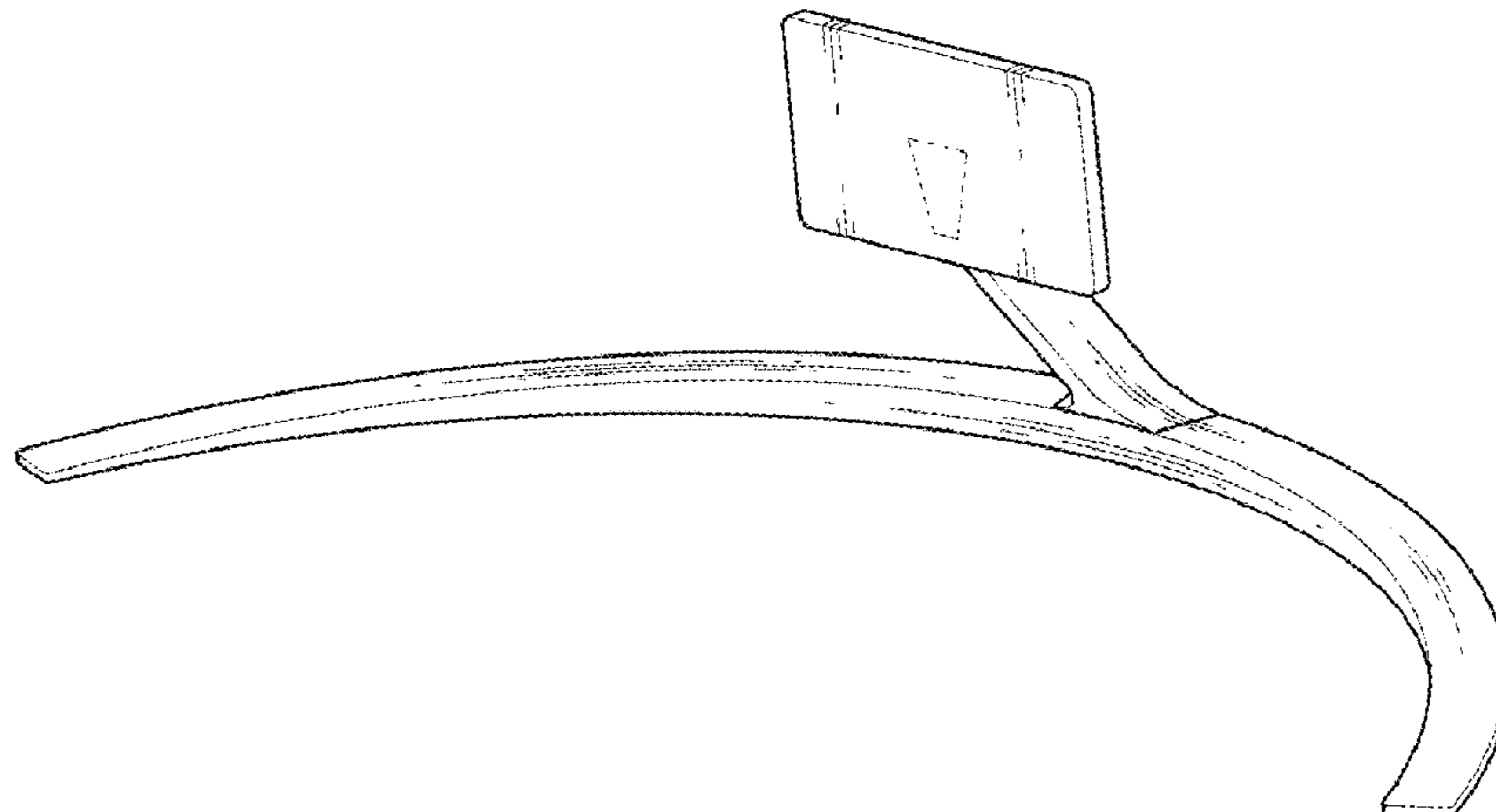
The ornamental design for a stand for TV receiver, as shown and described.

**DESCRIPTION**

- 1. Stand for TV receiver
- 1.1 : Perspective
- 1.2 : Front
- 1.3 : Back
- 1.4 : Left
- 1.5 : Right
- 1.6 : Top
- 1.7 : Bottom

The broken lines represent features of the stand for a TV receiver that form no part of the claimed design.

**1 Claim, 3 Drawing Sheets**



(56)

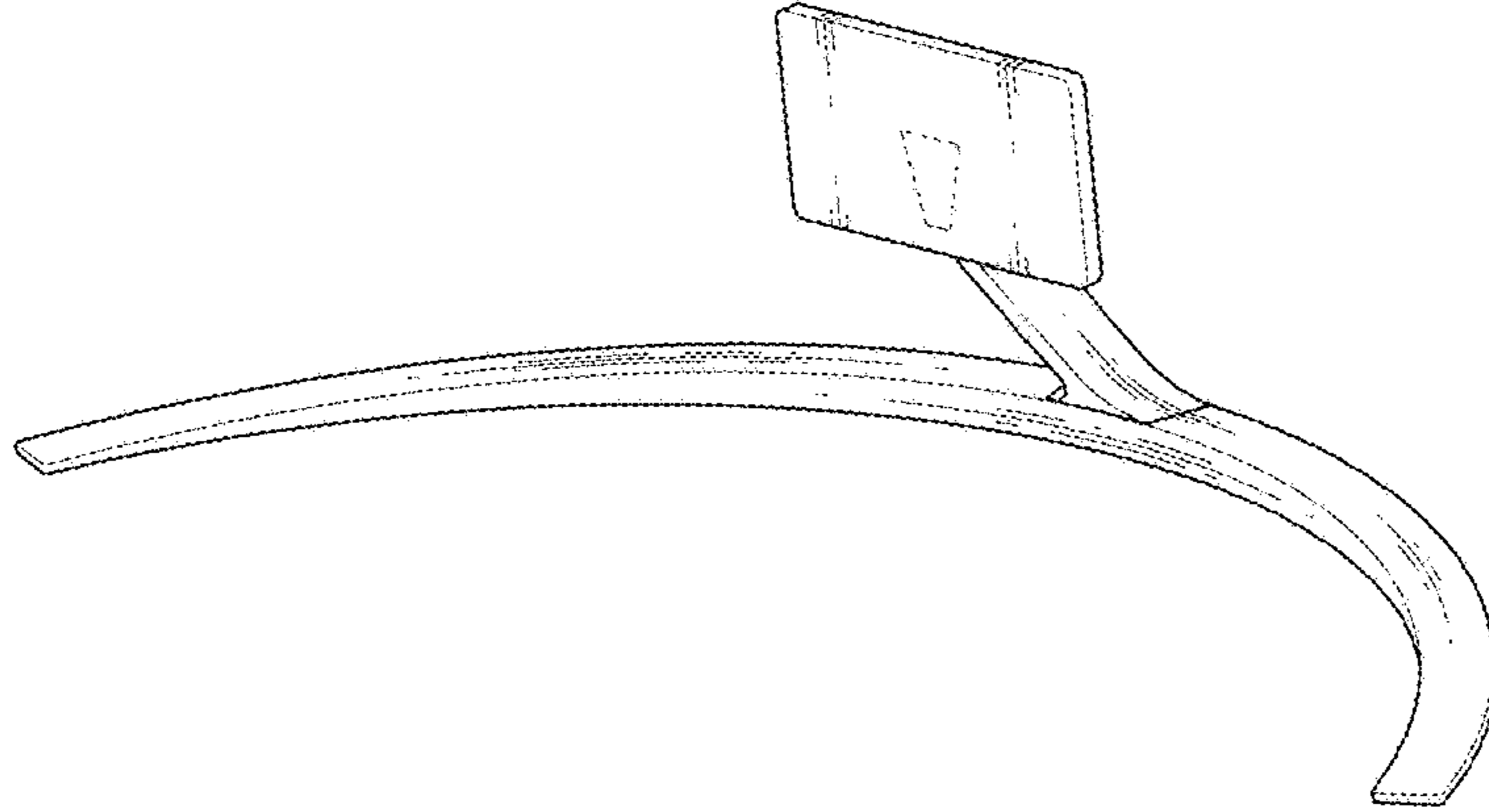
**References Cited**

U.S. PATENT DOCUMENTS

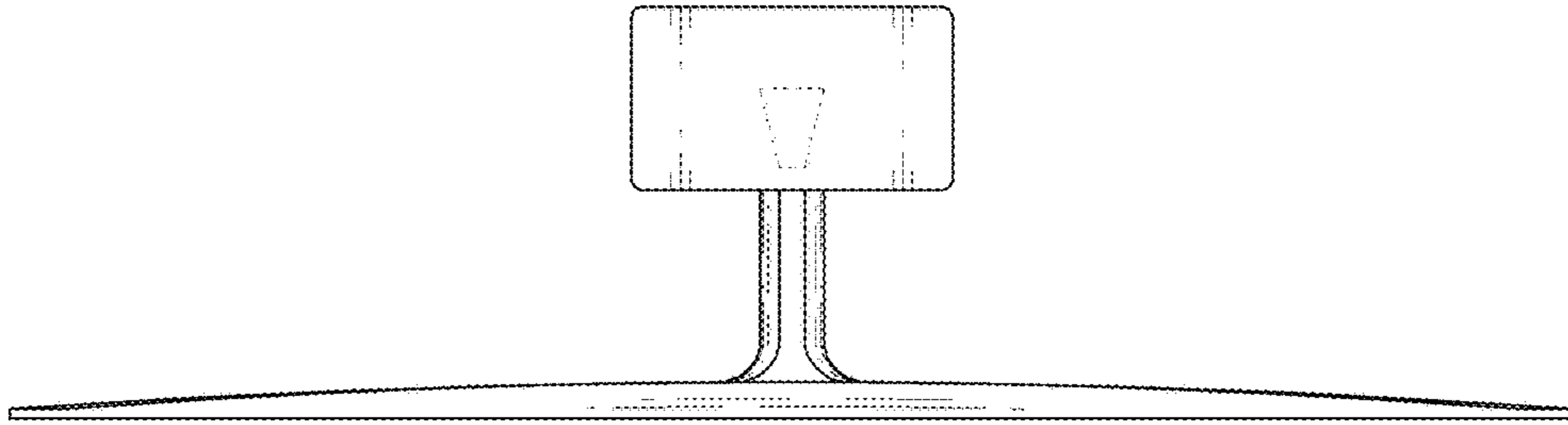
D763,238 S *	8/2016	Kim .....	D14/126
D786,242 S *	5/2017	Ho .....	D14/127
D786,843 S *	5/2017	Lee .....	D14/126
D788,749 S *	6/2017	Lee .....	D14/239
D788,782 S *	6/2017	Lim .....	D14/451
D791,132 S *	7/2017	Oh .....	D14/374
D795,850 S *	8/2017	Choi .....	D14/126
D799,459 S *	10/2017	Lee .....	D14/126
D800,101 S *	10/2017	Park .....	D14/126

\* cited by examiner

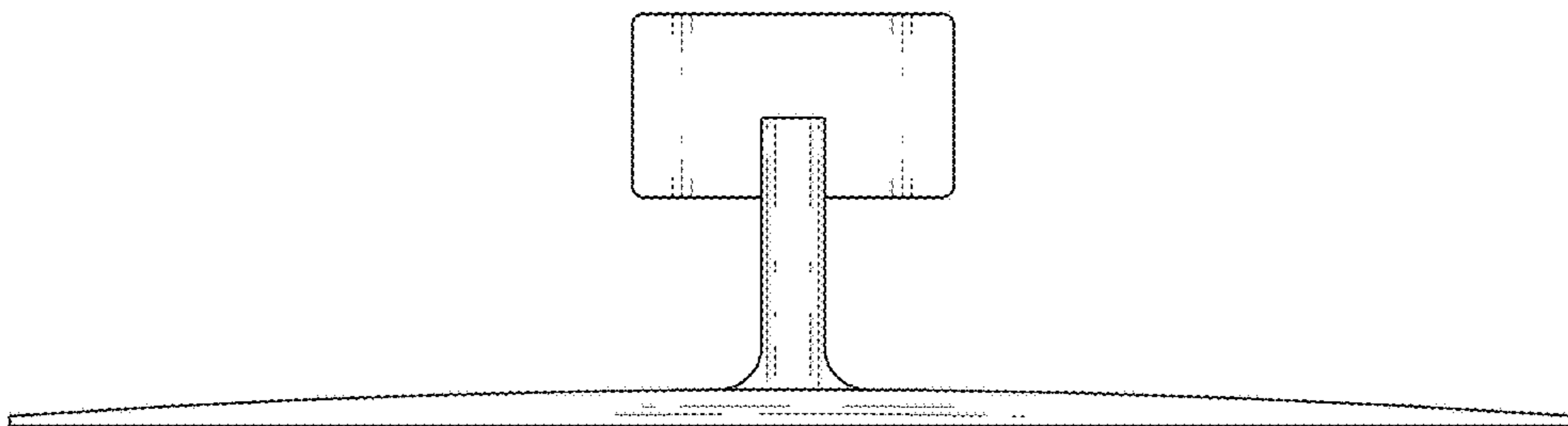
1.1



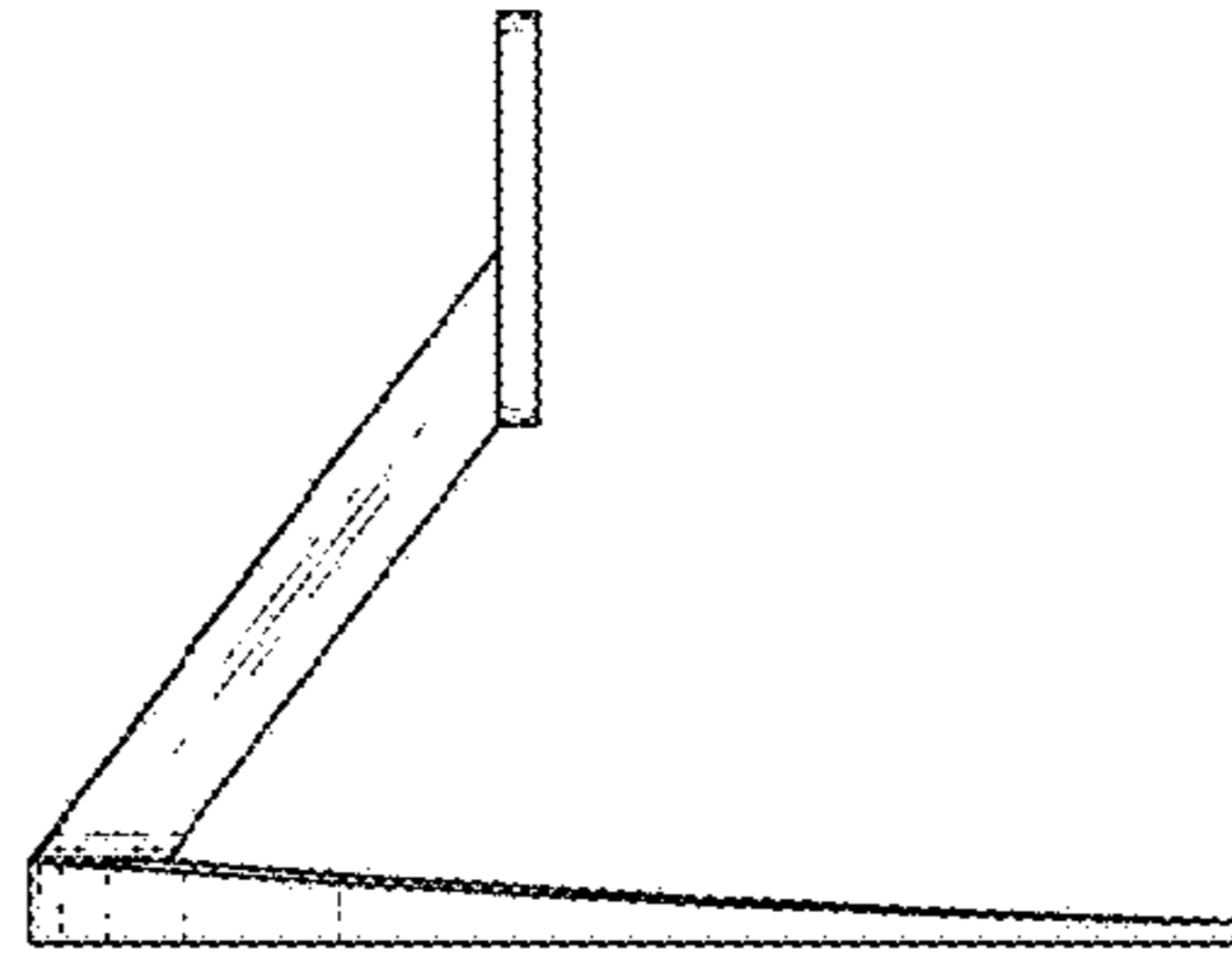
1.2



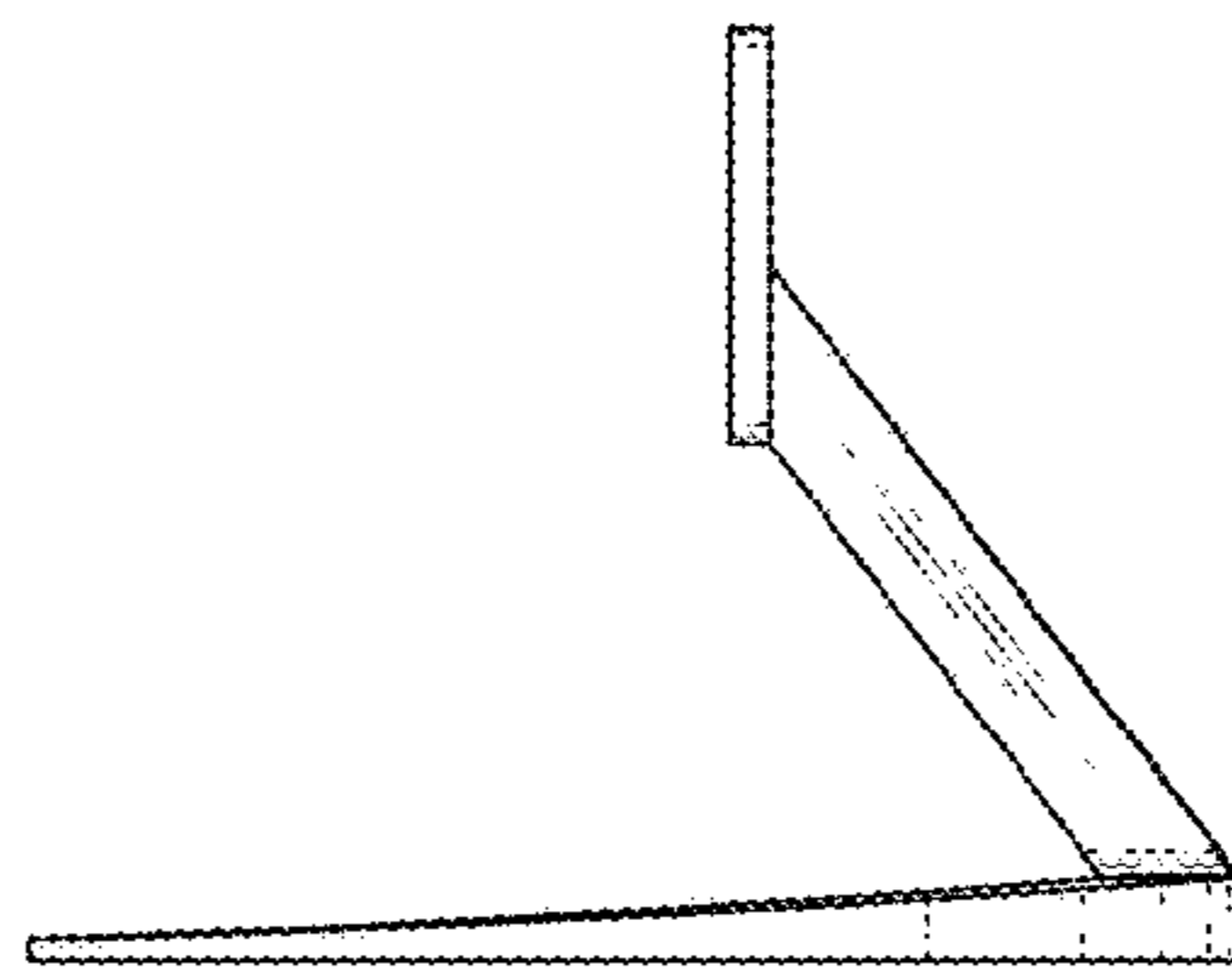
1.3



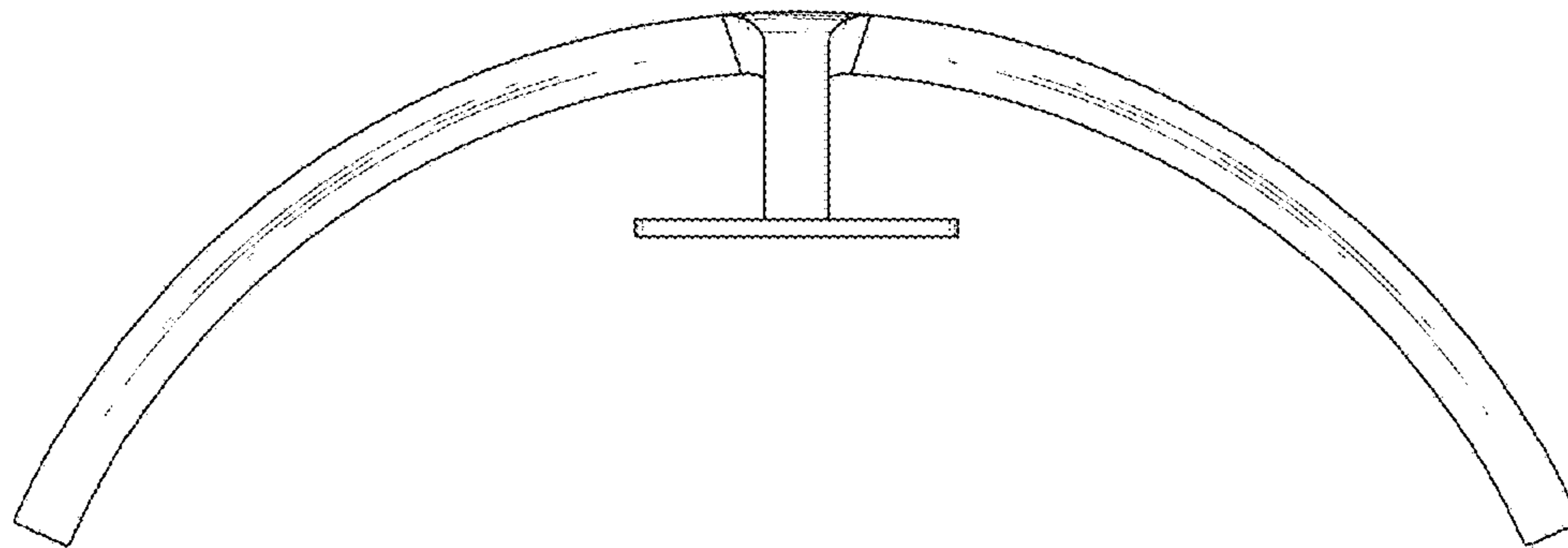
1.4



1.5



1.6



1.7

