



US00D821368S

(12) **United States Design Patent** (10) **Patent No.:** **US D821,368 S**  
**He et al.** (45) **Date of Patent:** **\*\* Jun. 26, 2018**

(54) **ANTENNA**

(71) Applicant: **Airgain Incorporated**, San Diego, CA (US)

(72) Inventors: **Ziming He**, Irvine, CA (US); **Xiangjie Bian**, Zhang Jia Gang (CN)

(73) Assignee: **Airgain Incorporated**, San Diego, CA (US)

(\*\*) Term: **15 Years**

(21) Appl. No.: **29/631,613**

(22) Filed: **Dec. 30, 2017**

**Related U.S. Application Data**

(62) Division of application No. 29/610,824, filed on Jul. 16, 2017, now Pat. No. Des. 807,864, which is a division of application No. 29/555,959, filed on Feb. 25, 2016, now Pat. No. Des. 792,381.

(51) **LOC (11) Cl.** ..... **14-03**

(52) **U.S. Cl.**  
USPC ..... **D14/230**

(58) **Field of Classification Search**  
USPC ..... D14/138, 230, 231, 232, 233, 234, 235, D14/236, 237, 238, 238.1, 299, 358; D13/175, 182  
CPC ..... G01R 29/10; G01S 2013/0245; G01S 2013/0254; G01S 2013/0263; G01S 7/4026; G05B 2219/45001; G06K 19/07773; G06K 19/07775; G06K 19/07777; G08B 13/2468; G08B 13/2477; H01Q 1/088

See application file for complete search history.

(56) **References Cited**

U.S. PATENT DOCUMENTS

D694,738 S *	12/2013	Yang	.....	D14/230
D707,664 S *	6/2014	Chu	.....	D14/230
D792,381 S *	7/2017	He	.....	D14/230
D792,870 S *	7/2017	Zheng	.....	D14/230
D795,848 S *	8/2017	Zheng	.....	D14/230
D799,453 S *	10/2017	Chang	.....	D14/230
D807,864 S *	1/2018	He	.....	D14/230
2005/0259024 A1 *	11/2005	Hung	.....	H01Q 1/36 343/770
2012/0242546 A1 *	9/2012	Hu	.....	H01Q 1/243 343/700 MS
2013/0033399 A1 *	2/2013	Huang	.....	H01Q 9/0421 343/700 MS

OTHER PUBLICATIONS

Airgain Embedded Antennas. Product Catalog Datasheet [online]. Airgain Inc., 2017 [retrieved on Mar. 6, 2017]. Retrieved from the Internet: <<http://airgain.com/products/embedded-antennas/>>.\*

\* cited by examiner

*Primary Examiner* — Manpreet S Matharu

*Assistant Examiner* — Mojtaba Tehrani

(74) *Attorney, Agent, or Firm* — Clause Eight IPS; Michael Catania

(57) **CLAIM**

The ornamental design for an antenna, as shown and described.

**DESCRIPTION**

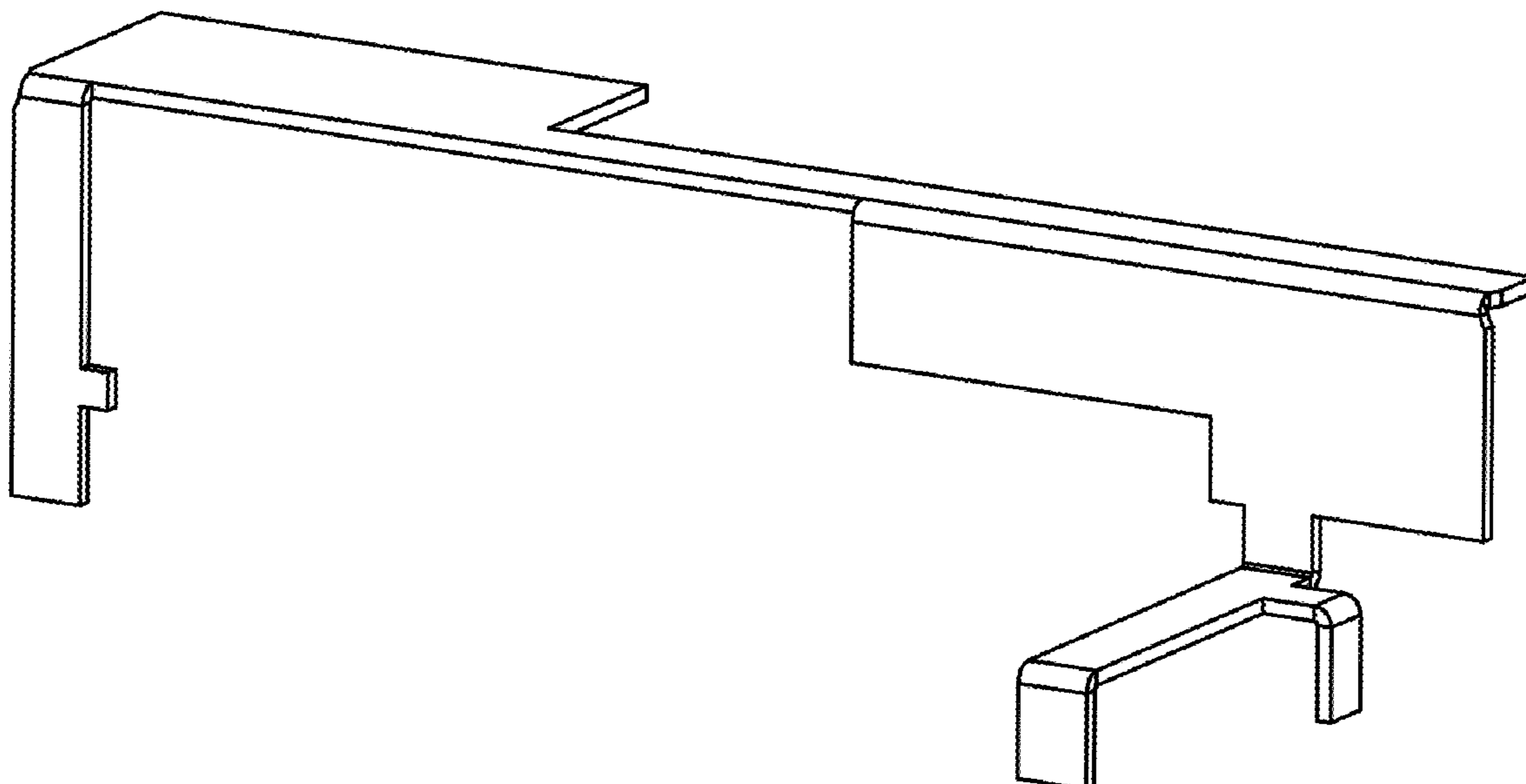
FIG. 1 is a top perspective view of an antenna, showing our new design;

FIG. 2 is a top plan view thereof;

FIG. 3 is a front elevation view thereof; and,

FIG. 4 is a side elevation view thereof.

**1 Claim, 2 Drawing Sheets**



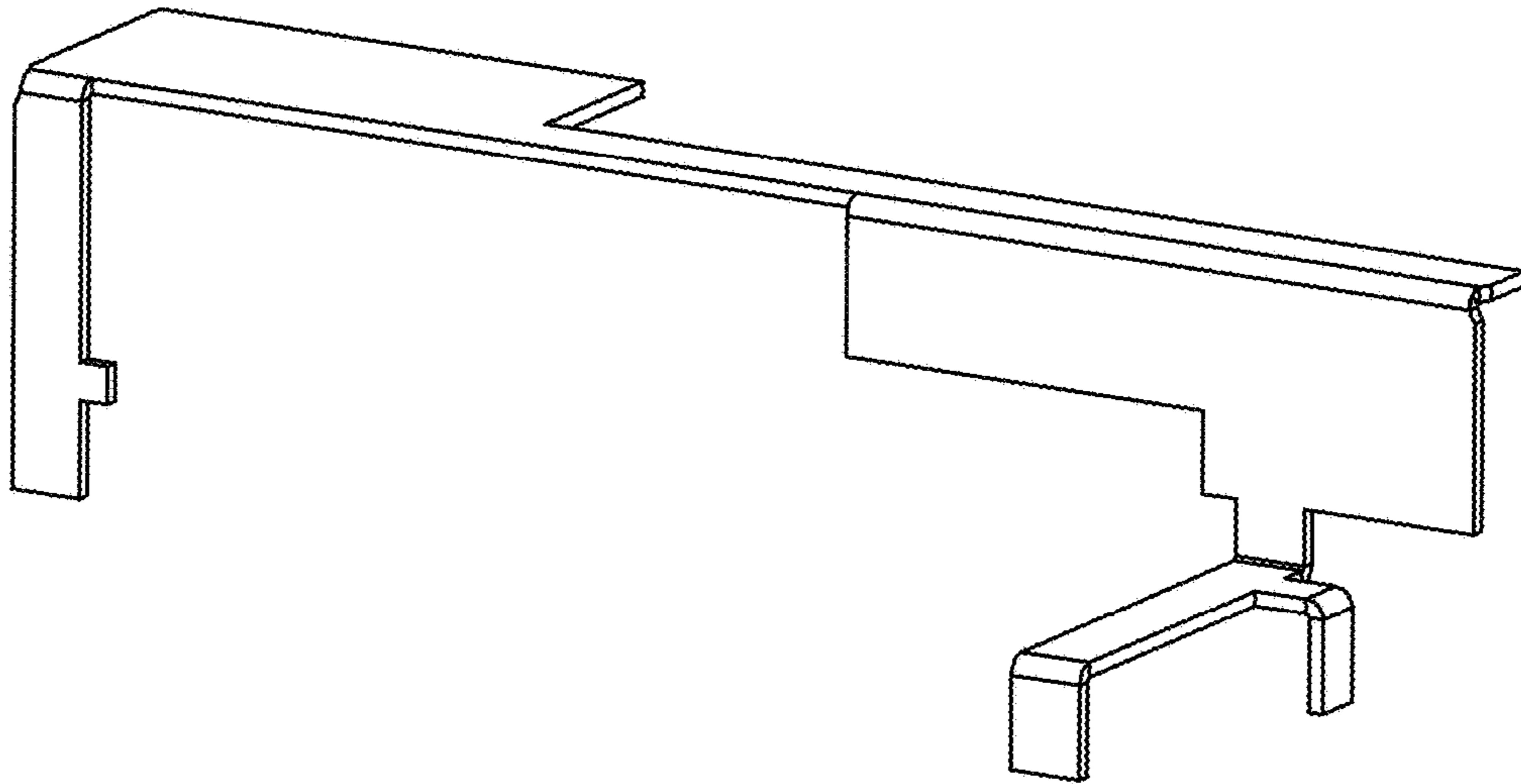


FIG. 1

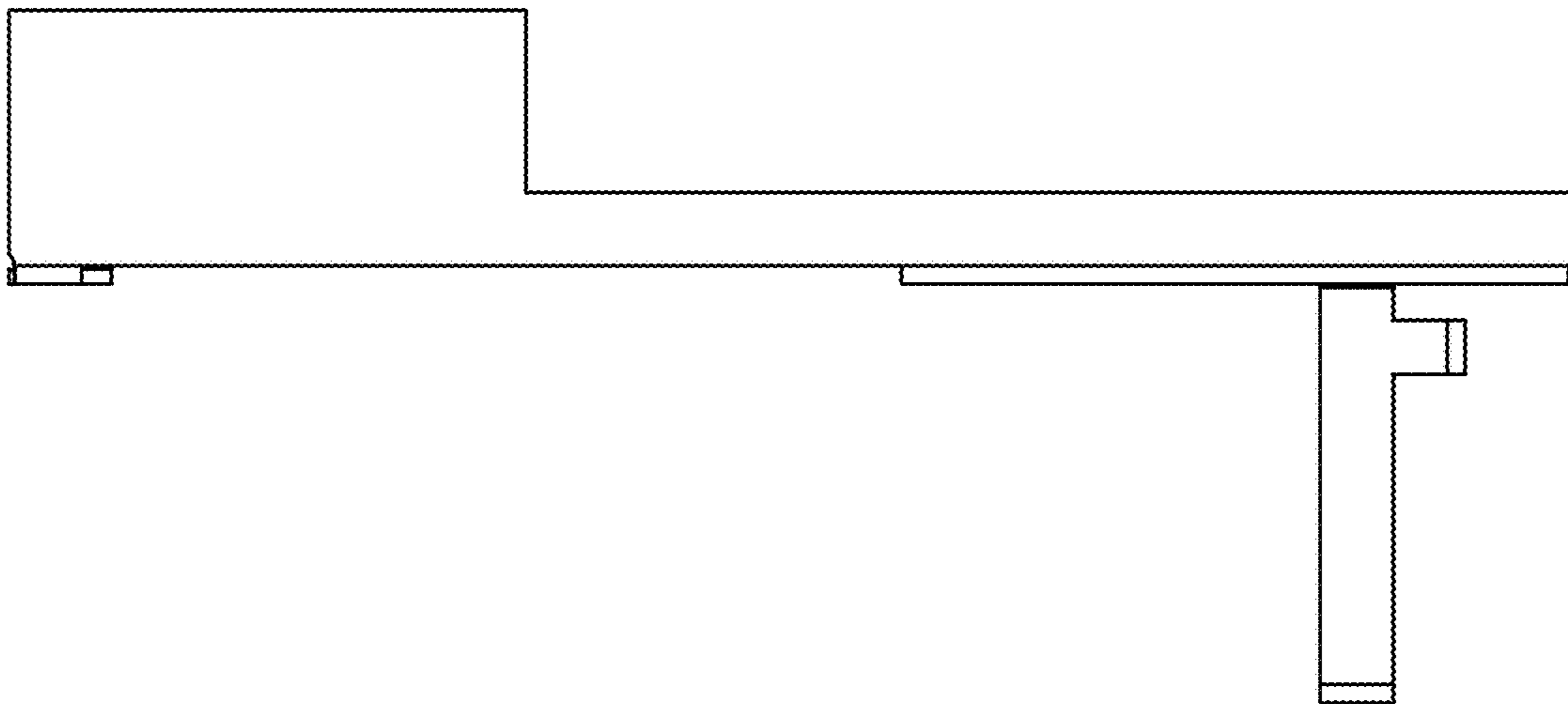


FIG. 2

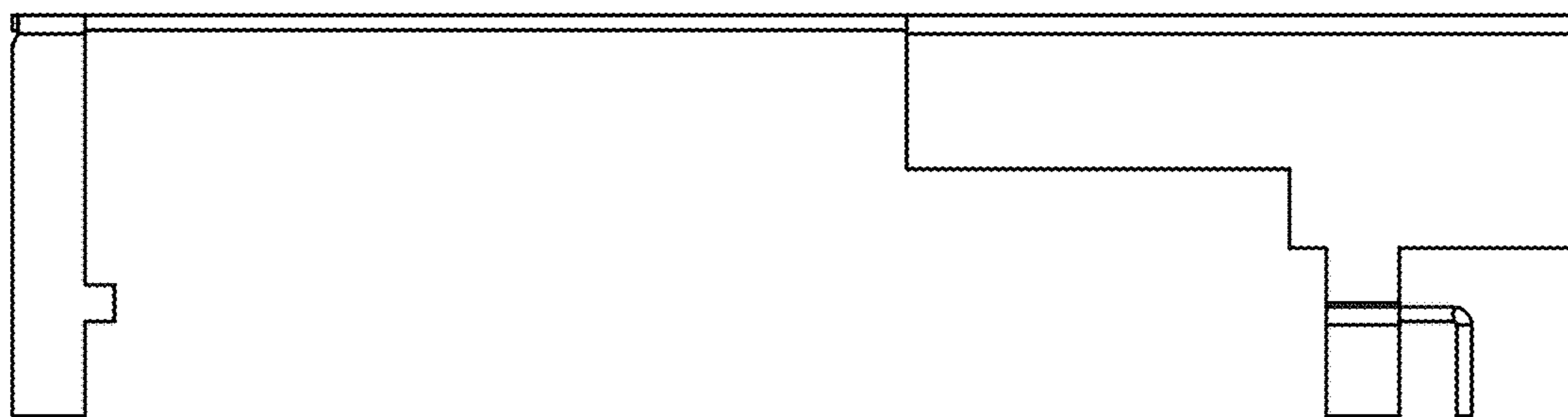


FIG. 3

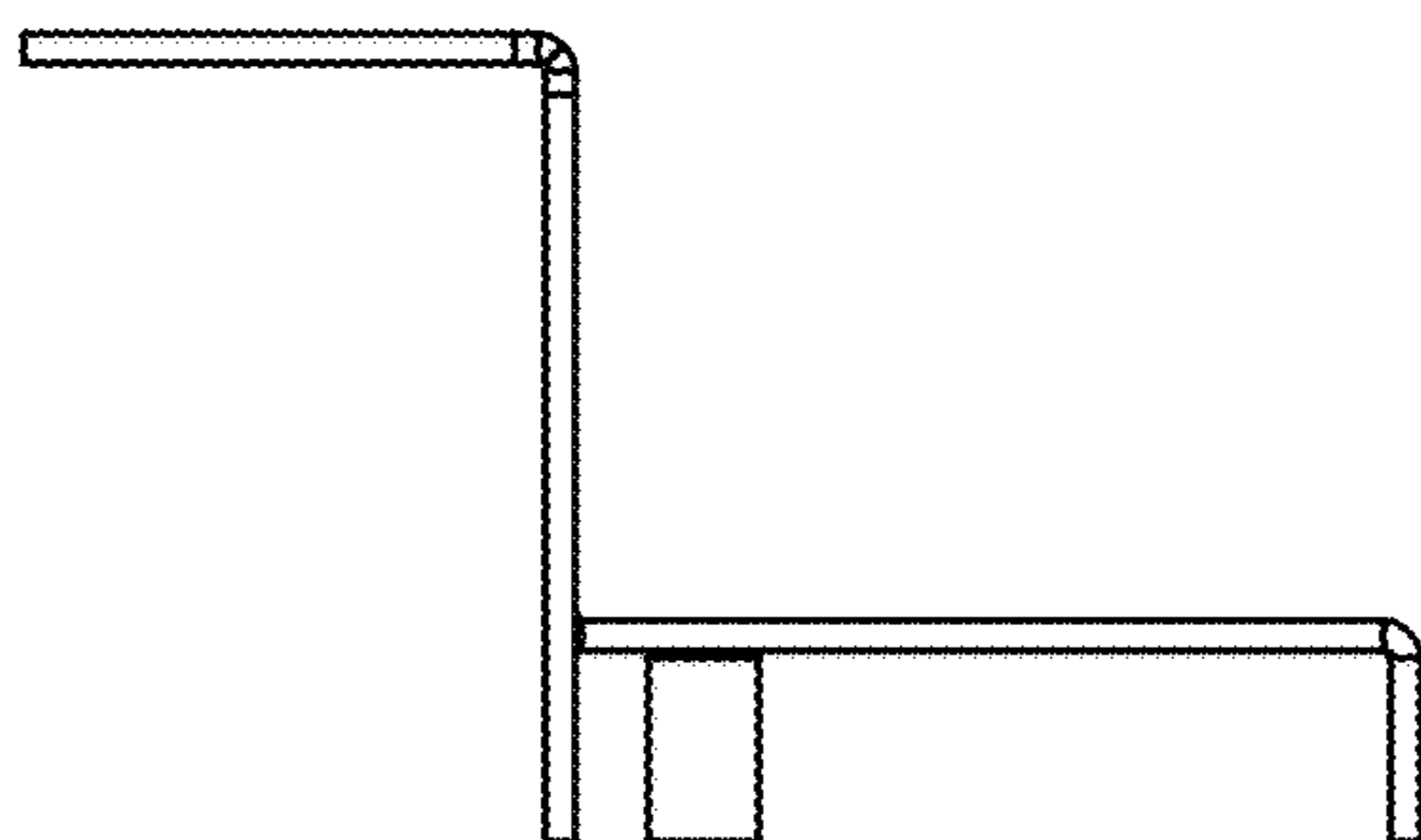


FIG. 4