

US00D821367S

(12) **United States Design Patent**
Zheng et al.

(10) **Patent No.:** **US D821,367 S**
(45) **Date of Patent:** **** Jun. 26, 2018**

(54) **ANTENNA**
(71) Applicant: **Airgain Incorporated**, San Diego, CA (US)
(72) Inventors: **Bei Zheng**, Zhang Jia Gang (CN); **Geoff Schulteis**, San Diego, CA (US)
(73) Assignee: **Airgain Incorporated**, San Diego, CA (US)
(**) Term: **15 Years**

D607,442 S * 1/2010 Su D14/230
D694,738 S * 12/2013 Yang D14/230
D703,195 S * 4/2014 Zheng D14/230
D703,196 S * 4/2014 Zheng D14/230
D795,848 S * 8/2017 Zheng D14/230
D799,453 S * 10/2017 Chang D14/230
D807,864 S * 1/2018 He D14/230
2005/0128151 A1* 6/2005 Kwak, II H01Q 1/243
343/702
2011/0175794 A1* 7/2011 Tai H01Q 9/0421
343/908
2013/0033399 A1* 2/2013 Huang H01Q 9/0421
343/700 MS

(21) Appl. No.: **29/615,184**

(22) Filed: **Aug. 26, 2017**

Related U.S. Application Data

(62) Division of application No. 29/558,024, filed on Mar. 15, 2016, now Pat. No. Des. 795,848.

(51) **LOC (11) Cl.** **14-03**

(52) **U.S. Cl.**
USPC **D14/230**

(58) **Field of Classification Search**
USPC D14/138, 230, 231, 232, 233, 234, 235, D14/236, 237, 238, 238.1, 299, 358; D13/175, 182
CPC G01R 29/10; G01S 2013/0245; G01S 2013/0254; G01S 2013/0263; G01S 7/4026; G05B 2219/45001; G06K 19/07773; G06K 19/07775; G06K 19/07777; G08B 13/2468; G08B 13/2477; H01Q 1/088

See application file for complete search history.

(56) **References Cited**

U.S. PATENT DOCUMENTS

7,061,437 B2* 6/2006 Lin H01Q 9/0421
343/700 MS
7,489,278 B2* 2/2009 Huang H01Q 9/0421
343/700 MS

OTHER PUBLICATIONS

<http://airgain.com/our-services/enbedded-antennas/>—Retrieved Jan. 4, 2017.*
<http://www.airgain.com/ultra-M1920T>—Retrieved Jun. 20, 2016.*

* cited by examiner

Primary Examiner — Manpreet S Matharu

Assistant Examiner — Mojtaba Tehrani

(74) *Attorney, Agent, or Firm* — Clause Eight IPS; Michael Catania

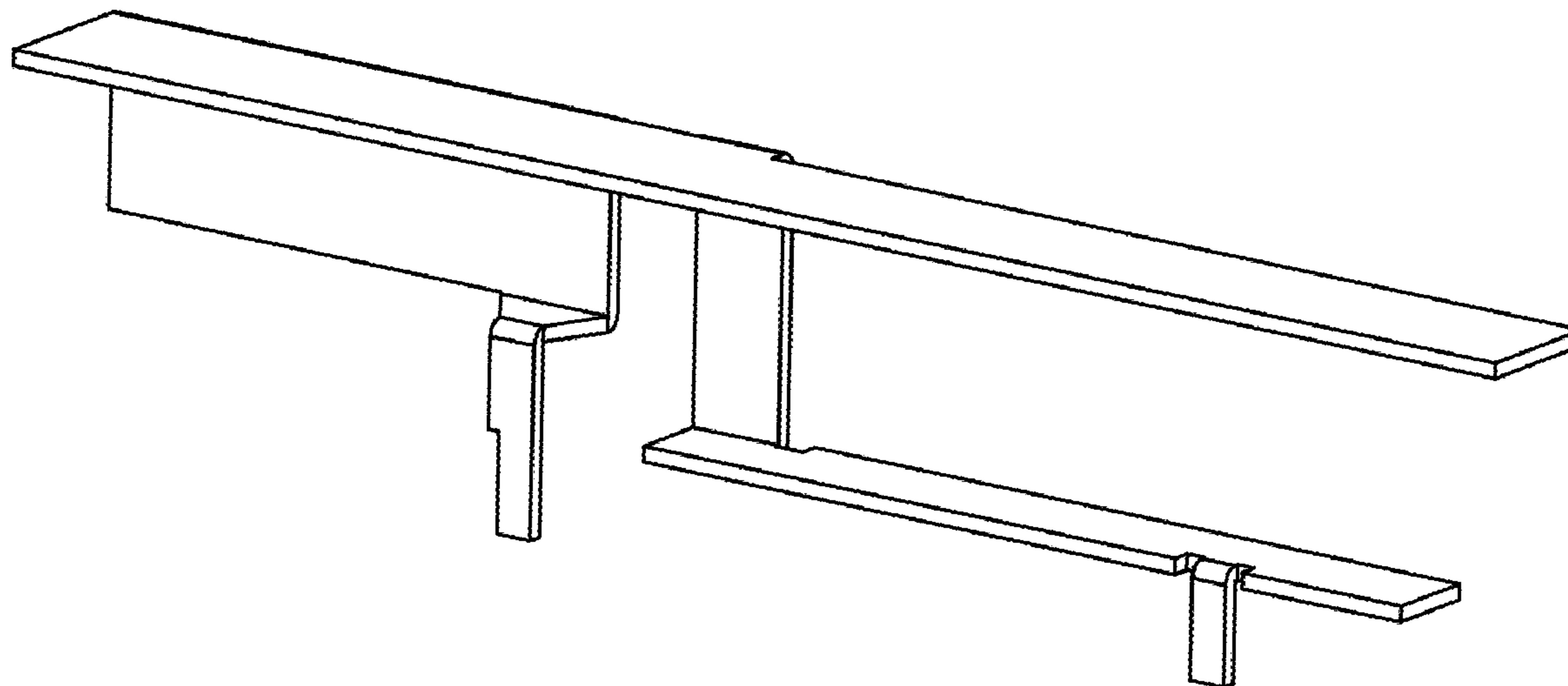
(57) **CLAIM**

The ornamental design for an antenna, as shown and described.

DESCRIPTION

FIG. 1 is a top perspective view of an antenna, showing our new design;
FIG. 2 is a top plan view thereof;
FIG. 3 is a front elevation view thereof;
FIG. 4 is a bottom plan view thereof; and,
FIG. 5 is a side elevation view thereof.

1 Claim, 2 Drawing Sheets



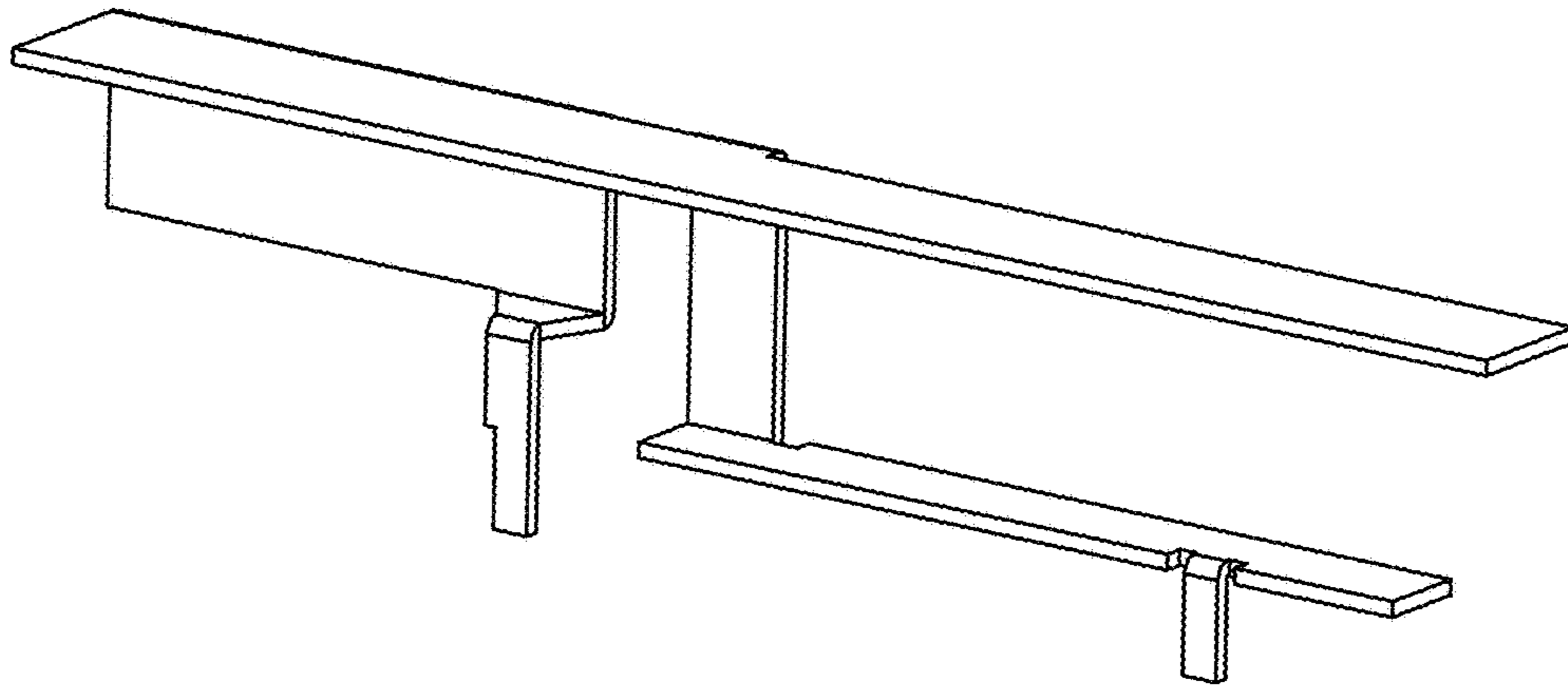


FIG. 1

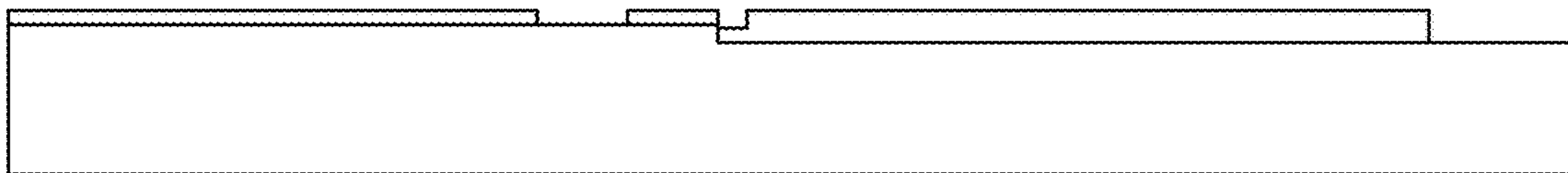


FIG. 2

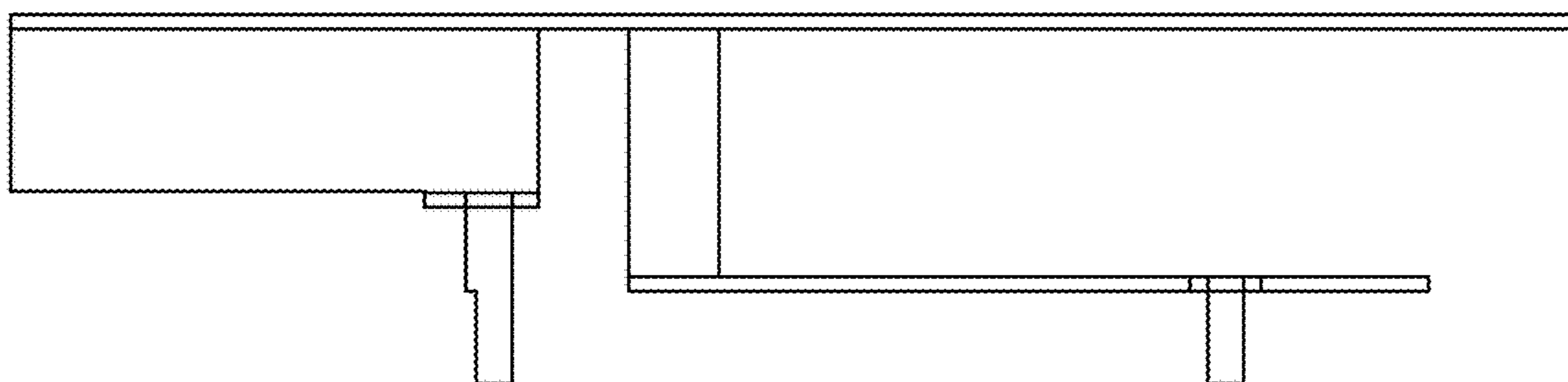


FIG. 3

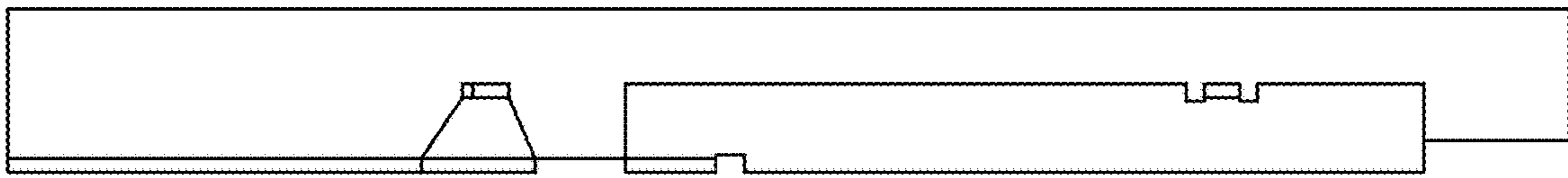


FIG. 4

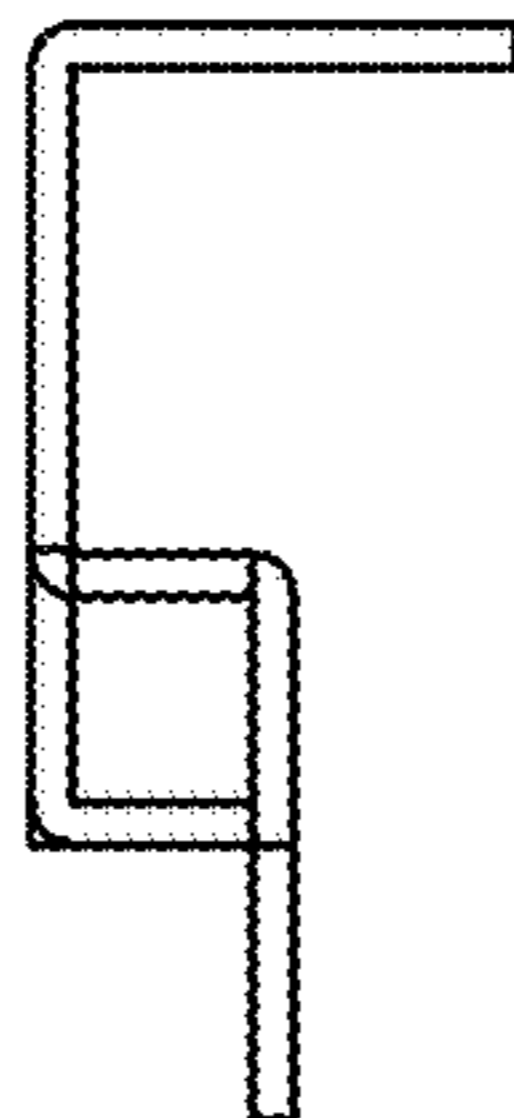


FIG. 5