



US00D821366S

(12) **United States Design Patent**  
**Forster**

(10) **Patent No.:** **US D821,366 S**  
(45) **Date of Patent:** **\*\* Jun. 26, 2018**

(54) **ANTENNA**  
(71) Applicant: **Avery Dennison Retail Information Services, LLC**, Westborough, MA (US)  
(72) Inventor: **Ian J. Forster**, Chelmsford (GB)  
(73) Assignee: **EVERY DENNISON RETAIL INFORMATION SERVICES, LLC**, Mentor, OH (US)  
(\*\*) Term: **15 Years**  
(21) Appl. No.: **29/603,394**

D720,729 S \* 1/2015 Escaro ..... D14/230  
D745,605 S \* 12/2015 Dancausse ..... D20/27  
D761,235 S \* 7/2016 Man ..... D14/230  
D766,881 S \* 9/2016 Man ..... D14/230  
D775,109 S \* 12/2016 Forster ..... D14/230  
D776,093 S \* 1/2017 Forster ..... D14/230  
D779,464 S \* 2/2017 Man ..... D14/230  
D780,722 S \* 3/2017 Forster ..... D14/230  
D788,744 S \* 6/2017 Forster ..... D14/230  
D794,001 S \* 8/2017 Ota ..... D14/230  
D799,455 S \* 10/2017 Forster ..... D14/230  
D799,456 S \* 10/2017 Forster ..... D14/230  
D801,319 S \* 10/2017 Forster ..... D14/230  
D803,195 S \* 11/2017 Man ..... D14/230  
2012/0092027 A1 \* 4/2012 Forster ..... G05D 22/02  
324/658

(22) Filed: **May 9, 2017**  
(51) **LOC (11) Cl.** ..... **14-03**  
(52) **U.S. Cl.**  
USPC ..... **D14/230**  
(58) **Field of Classification Search**  
USPC .... D14/137, 138 R, 138 AA, 148, 155, 167,  
D14/168, 230-238, 240, 242, 265, 299,  
D14/343, 358, 489, 492; D13/182  
CPC ..... H01Q 7/00; H01Q 13/10; H01Q 9/285;  
H01Q 19/30; H01Q 19/12; H01Q 1/38;  
H01Q 1/36; H01Q 1/0475; H01Q 1/034;  
H05K 11/00  
See application file for complete search history.

**OTHER PUBLICATIONS**

Avery Dennison AD-301R6 UHF RFID Wet Inlay (Monza R6), as posted at AtlasRfidStore.com [online], posting date not available, [site visited Feb. 1, 2018]. Available from the Internet, <URL: <https://www.atlasrfidstore.com/avery-dennison-ad-301r6-uhf-rfid-wet-inlay-monza-r6/>>.\*

\* cited by examiner

*Primary Examiner* — Jeffrey D Asch  
*Assistant Examiner* — Rebekah A Caruso  
(74) *Attorney, Agent, or Firm* — Avery Dennison Retail Information Services, LLC

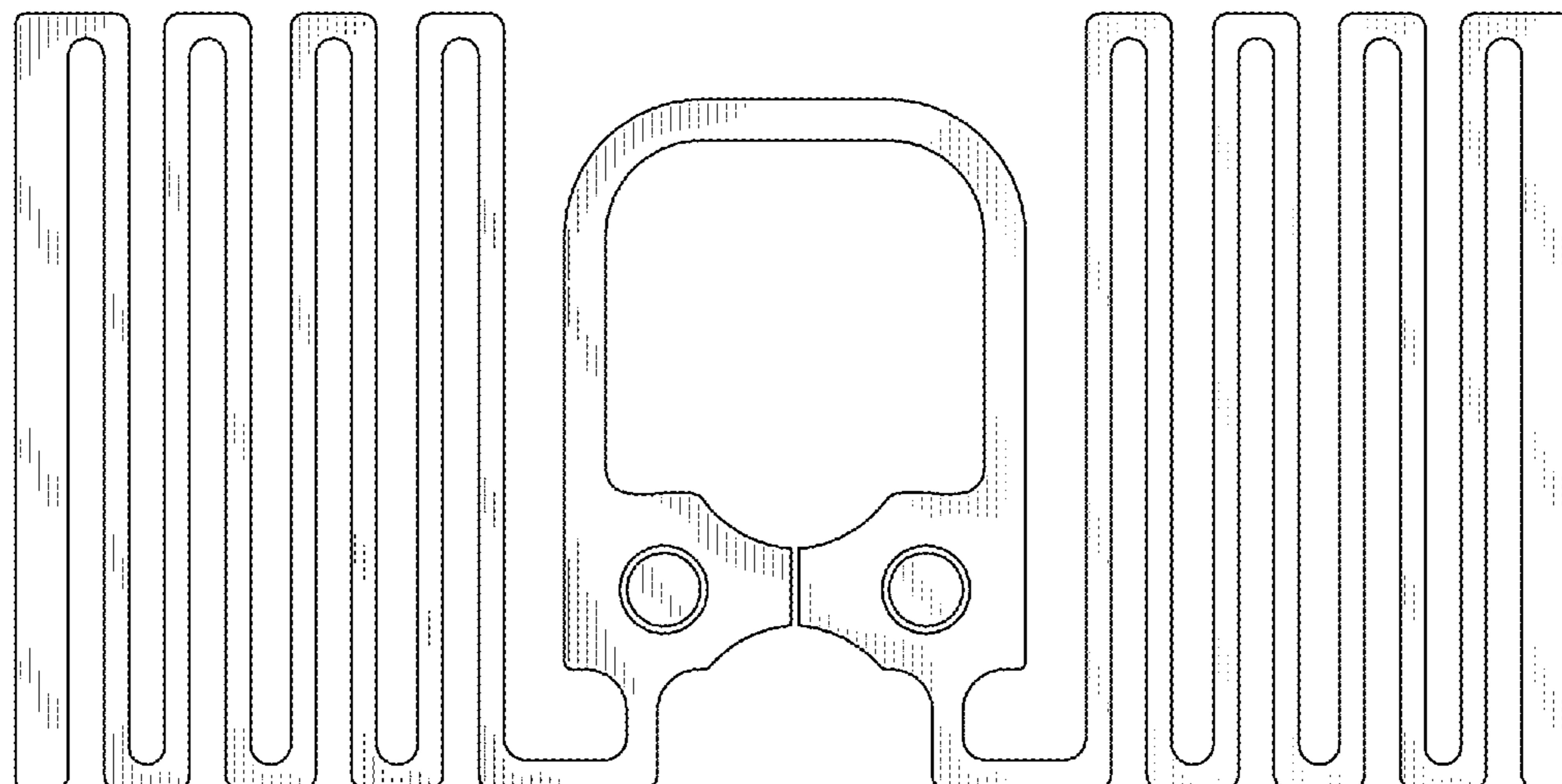
(56) **References Cited**  
U.S. PATENT DOCUMENTS  
D704,170 S \* 5/2014 Forster ..... D14/230  
D704,171 S \* 5/2014 Forster ..... D14/230  
D708,601 S \* 7/2014 Forster ..... D14/230  
D709,863 S \* 7/2014 Forster ..... D14/230  
D710,835 S \* 8/2014 Forster ..... D14/230  
D713,393 S \* 9/2014 Forster ..... D14/230  
D715,275 S \* 10/2014 Escaro ..... D14/230  
D715,781 S \* 10/2014 Forster ..... D14/230  
D716,275 S \* 10/2014 Forster ..... D14/230  
D719,937 S \* 12/2014 Forster ..... D14/230

(57) **CLAIM**  
The ornamental design for an antenna, as shown and described.

**DESCRIPTION**

FIG. 1 is an isometric view of an antenna, showing my new design; and,  
FIG. 2 is a front view thereof.

**1 Claim, 2 Drawing Sheets**



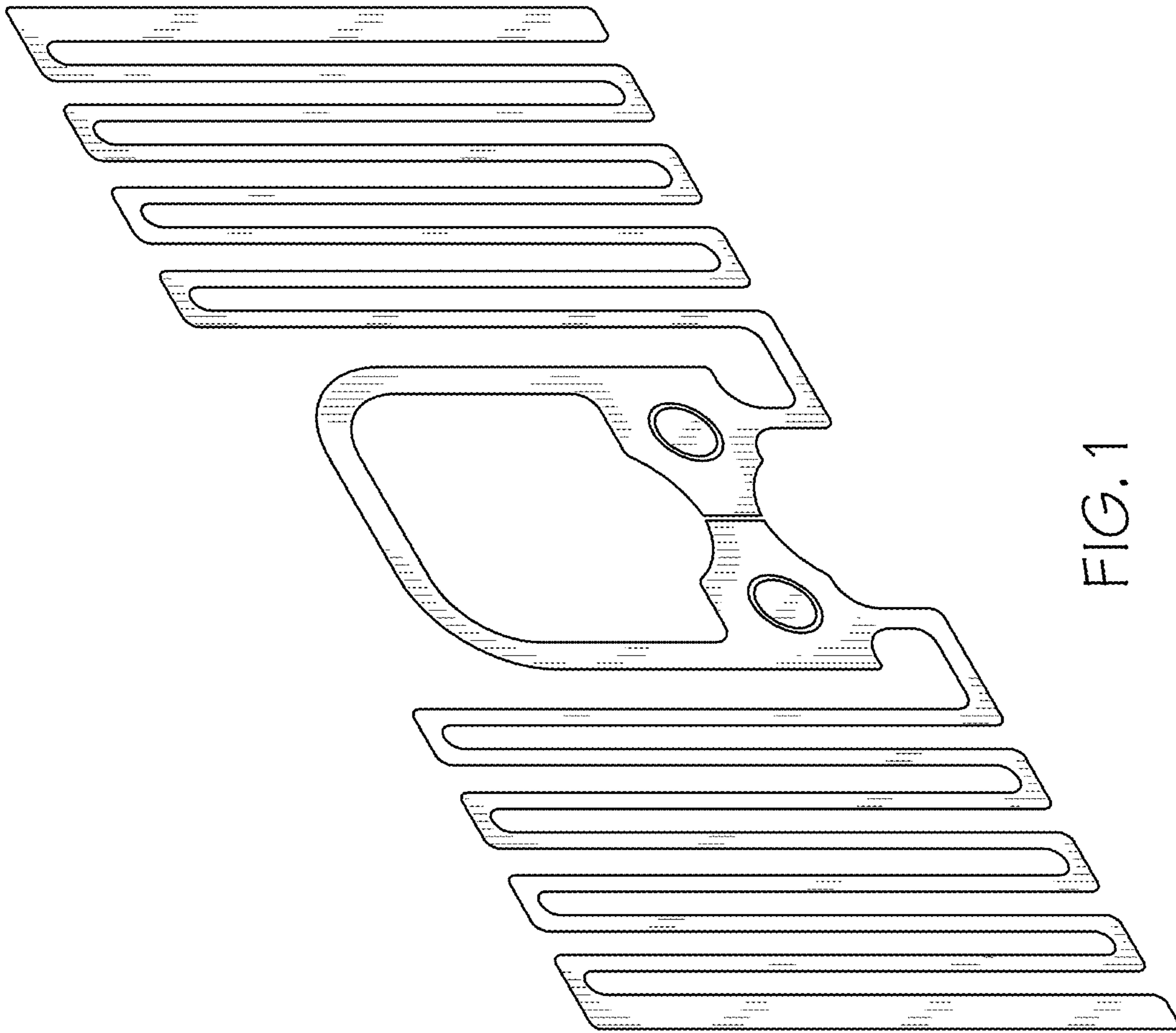


FIG. 1

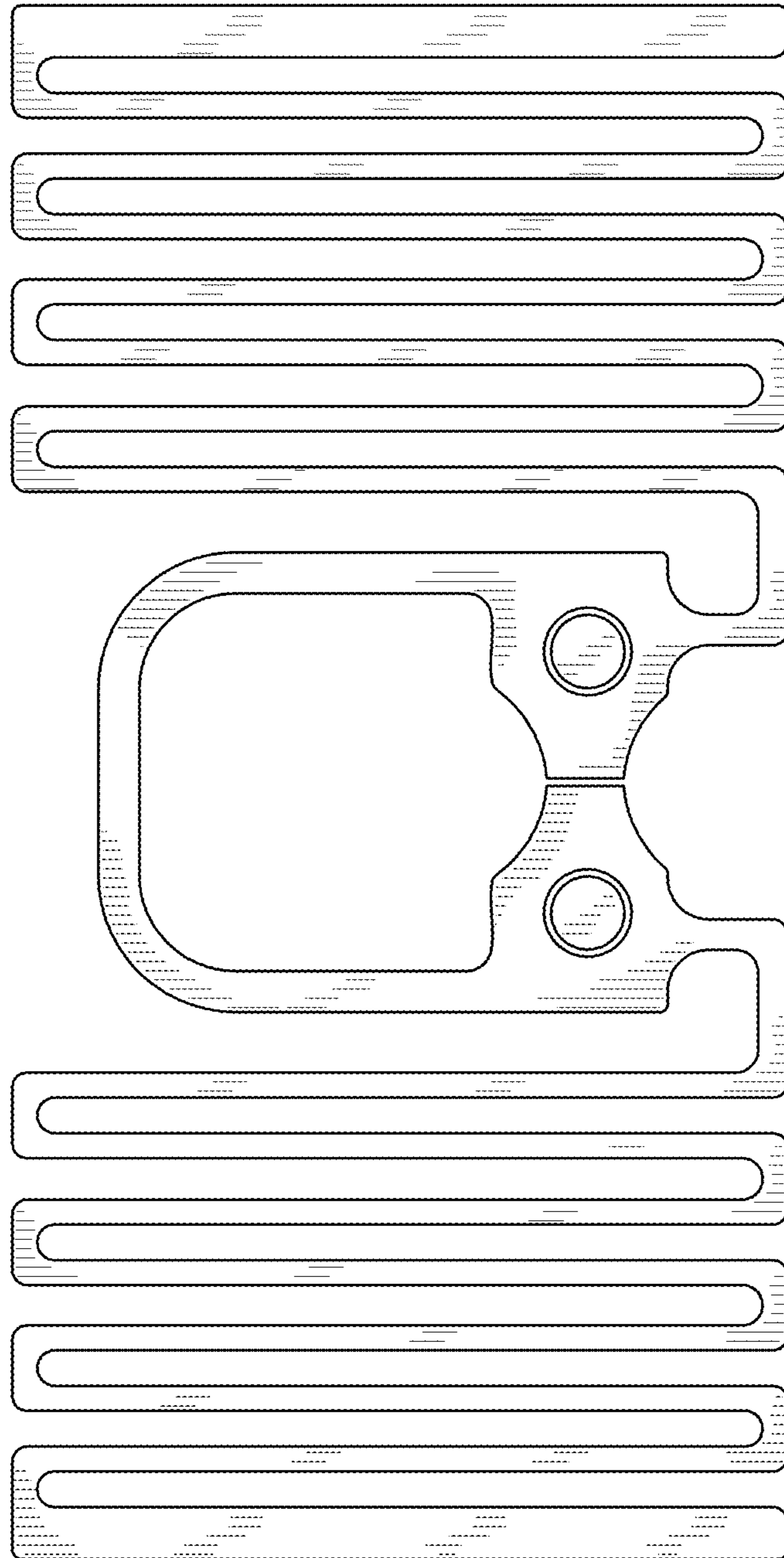


FIG. 2