



US00D821365S

(12) **United States Design Patent**  
**Gheysens et al.**

(10) **Patent No.:** **US D821,365 S**  
(45) **Date of Patent:** **\*\* Jun. 26, 2018**

(54) **MOUNTING ACCESSORY FOR SPEAKER APPARATUS**

(71) Applicant: **APART AUDIO, naamloze vennootschap**, Schoten (BE)

(72) Inventors: **Tom Gheysens**, Schilde (BE); **Wim Corten**, Hulst (BE); **Koen Claerbout**, Drongen (BE)

(73) Assignee: **APART AUDIO, NAAMLOZE VENNOOTSCHAP**, Schoten (BE)

(\*\*) Term: **15 Years**

(21) Appl. No.: **29/589,957**

(22) Filed: **Jan. 5, 2017**

(30) **Foreign Application Priority Data**

Jul. 20, 2016 (EM) ..... 003312222-0001

(51) **LOC (11) Cl.** ..... **14-01**

(52) **U.S. Cl.**  
USPC ..... **D14/224; D14/209.1**

(58) **Field of Classification Search**  
USPC ..... D14/224, 447, 335, 209, 415, 451, 452, D14/253; D8/355, 363, 380; D12/415; D16/242; 248/393, 278, 292.11, 674, 248/122.1, 346.01, 176.1, 919, 917, 248/276.1, 278.1, 125.1, 283.1, 271.1, 248/157, 310, 221.11, 224.8, 284.1, 248/281.11, 286.1, 185.1, 371, 316.1; 348/373

See application file for complete search history.

(56) **References Cited**

**U.S. PATENT DOCUMENTS**

1,476,758 A \* 12/1923 La Hodny ..... B60R 1/04  
248/278.1  
2,500,048 A \* 3/1950 Stoiber ..... F16M 11/10  
248/184.1

D269,945 S \* 8/1983 Carney ..... D8/355  
4,470,106 A \* 9/1984 Norton ..... F16M 11/10  
248/278.1  
4,733,330 A \* 3/1988 Tanaka ..... H02G 3/121  
174/58  
5,139,223 A \* 8/1992 Sedighzadeh ..... A47B 81/06  
248/278.1  
D332,789 S \* 1/1993 Rak ..... D12/415  
5,201,896 A \* 4/1993 Kruszewski ..... F16M 11/10  
248/278.1  
5,335,142 A \* 8/1994 Anderson ..... F16M 11/10  
248/183.2

(Continued)

*Primary Examiner* — Paula Allen Greene

(74) *Attorney, Agent, or Firm* — Young & Thompson

(57) **CLAIM**

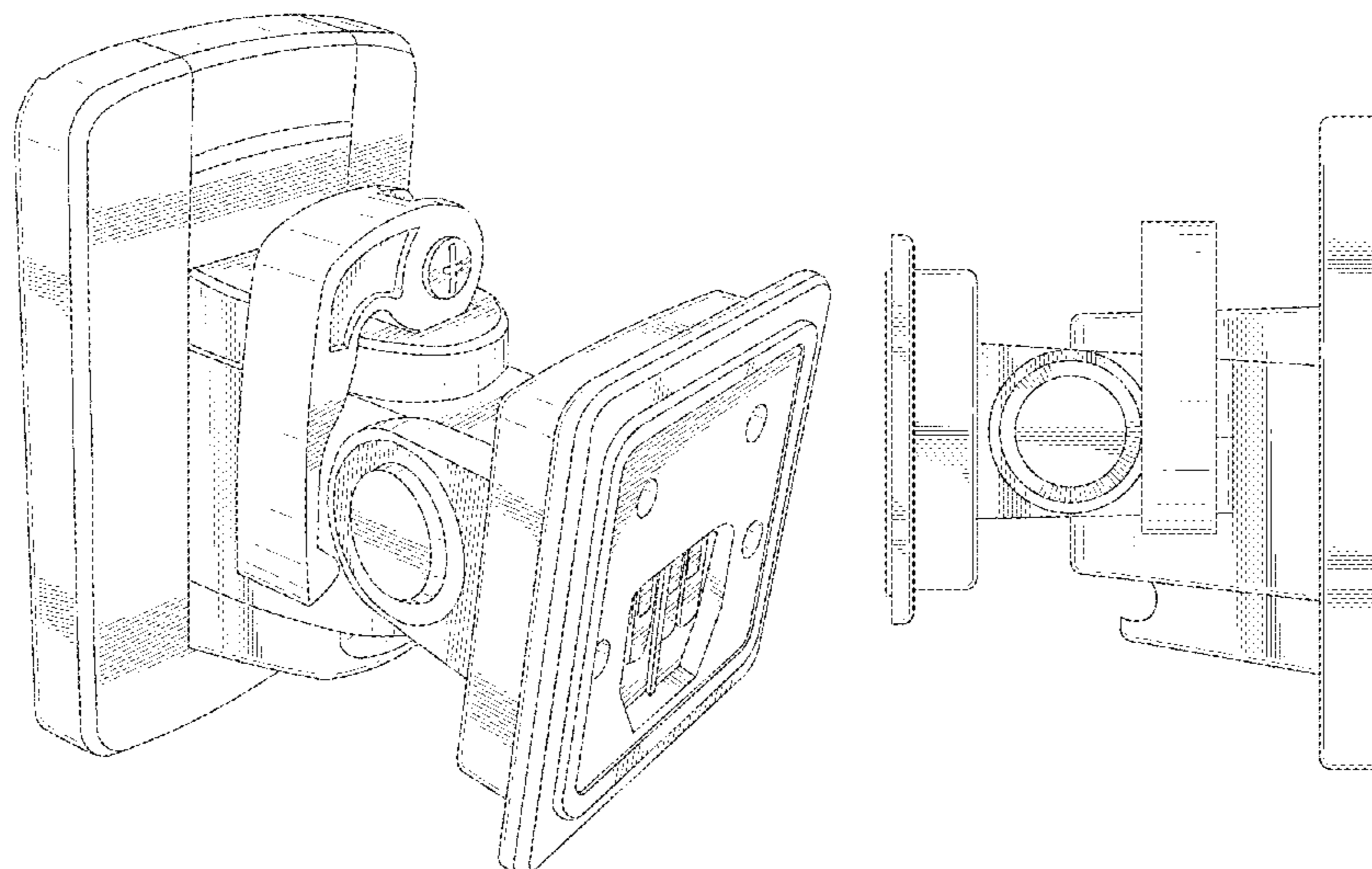
The ornamental design for a mounting accessory for speaker apparatus, as shown and described.

**DESCRIPTION**

FIG. 1 is a front, right side, and top perspective view of a mounting accessory for speaker apparatus showing the new design;  
FIG. 2 is an enlarged front elevation view thereof;  
FIG. 3 is a right side elevation view thereof in an alternate configuration wherein the locking handle is on the left side;  
FIG. 4 is a left side elevation view thereof;  
FIG. 5 is a further enlarged top plan view thereof;  
FIG. 6 is a bottom plan view thereof; and,  
FIG. 7 is a reduced size right side elevation view thereof shown with unclaimed environmental structure in a manner of use.

The broken lines shown in FIG. 7 illustrate environmental structure only and form no part of the claimed design.

**1 Claim, 7 Drawing Sheets**



(56)

References Cited

U.S. PATENT DOCUMENTS

5,429,336 A \* 7/1995 Ko ..... F16M 11/10  
248/278.1  
5,611,513 A \* 3/1997 Rosen ..... F16M 11/10  
248/222.11  
5,740,995 A \* 4/1998 Richter ..... B60N 3/101  
248/207  
D395,892 S \* 7/1998 Solomon ..... D14/224  
5,924,665 A \* 7/1999 Sweere ..... A47B 21/00  
248/278.1  
6,047,939 A \* 4/2000 Kim ..... F16M 11/126  
248/349.1  
6,189,842 B1 \* 2/2001 Bergeron Gull ..... F16M 11/105  
248/125.1  
6,244,553 B1 \* 6/2001 Wang ..... B60R 11/02  
248/278.1  
6,367,756 B1 \* 4/2002 Wang ..... F16M 11/10  
248/276.1  
D487,270 S \* 3/2004 Richter ..... D14/447  
D488,708 S \* 4/2004 Lam ..... D8/363  
D495,714 S \* 9/2004 Pfister ..... D14/451  
6,874,743 B2 \* 4/2005 Watanabe ..... F16M 11/105  
248/276.1  
D507,477 S \* 7/2005 Pfister ..... D14/451  
6,962,314 B2 \* 11/2005 Hsu ..... F04D 29/601  
248/205.5  
D534,789 S \* 1/2007 Worrall ..... D8/363  
D543,548 S \* 5/2007 Muday ..... D14/452  
D560,592 S \* 1/2008 Brassard ..... D12/415  
D562,113 S \* 2/2008 Ciungan ..... D14/452

D576,631 S \* 9/2008 Richter ..... D14/447  
D576,633 S \* 9/2008 Muday ..... D14/452  
D580,847 S \* 11/2008 Mo ..... D12/415  
D588,903 S \* 3/2009 Carnevali ..... D8/355  
D592,206 S \* 5/2009 O'Brien ..... D12/415  
D595,723 S \* 7/2009 Bures ..... D14/451  
D599,355 S \* 9/2009 Richter ..... D14/253  
D629,405 S \* 12/2010 Crysell ..... D14/447  
D634,607 S \* 3/2011 Molter ..... D8/363  
D646,685 S \* 10/2011 Skull ..... D14/452  
D660,842 S \* 5/2012 Kaluza ..... D14/452  
8,240,628 B2 \* 8/2012 Huang ..... F16M 11/041  
248/122.1  
D697,515 S \* 1/2014 Adelman ..... D14/447  
D729,222 S \* 5/2015 Grziwok ..... D14/253  
2003/0075653 A1 \* 4/2003 Li ..... F16M 11/10  
248/274.1  
2004/0084578 A1 \* 5/2004 Cho ..... F16M 11/105  
248/125.1  
2004/0159757 A1 \* 8/2004 Pfister ..... F16M 11/10  
248/284.1  
2006/0022102 A1 \* 2/2006 Dittmer ..... F16M 11/041  
248/276.1  
2006/0181637 A1 \* 8/2006 Oddsen, Jr. .... F16M 11/041  
348/373  
2007/0012825 A1 \* 1/2007 Yeh ..... F16M 11/105  
248/122.1  
2007/0045488 A1 \* 3/2007 Shin ..... F16M 11/105  
248/176.1  
2012/0061542 A1 \* 3/2012 Bostater ..... G06F 1/1628  
248/278.1

\* cited by examiner



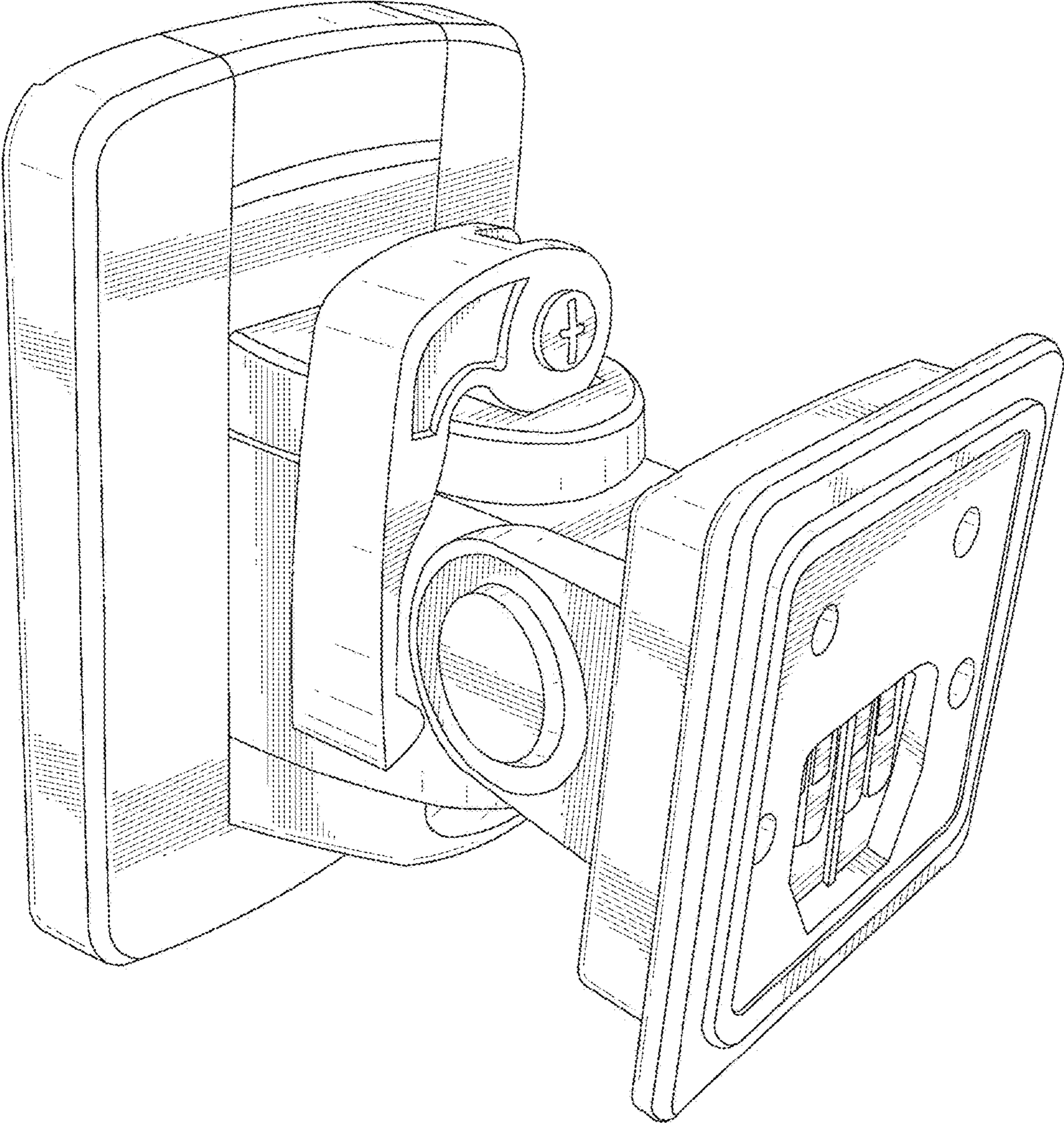


Figure 1

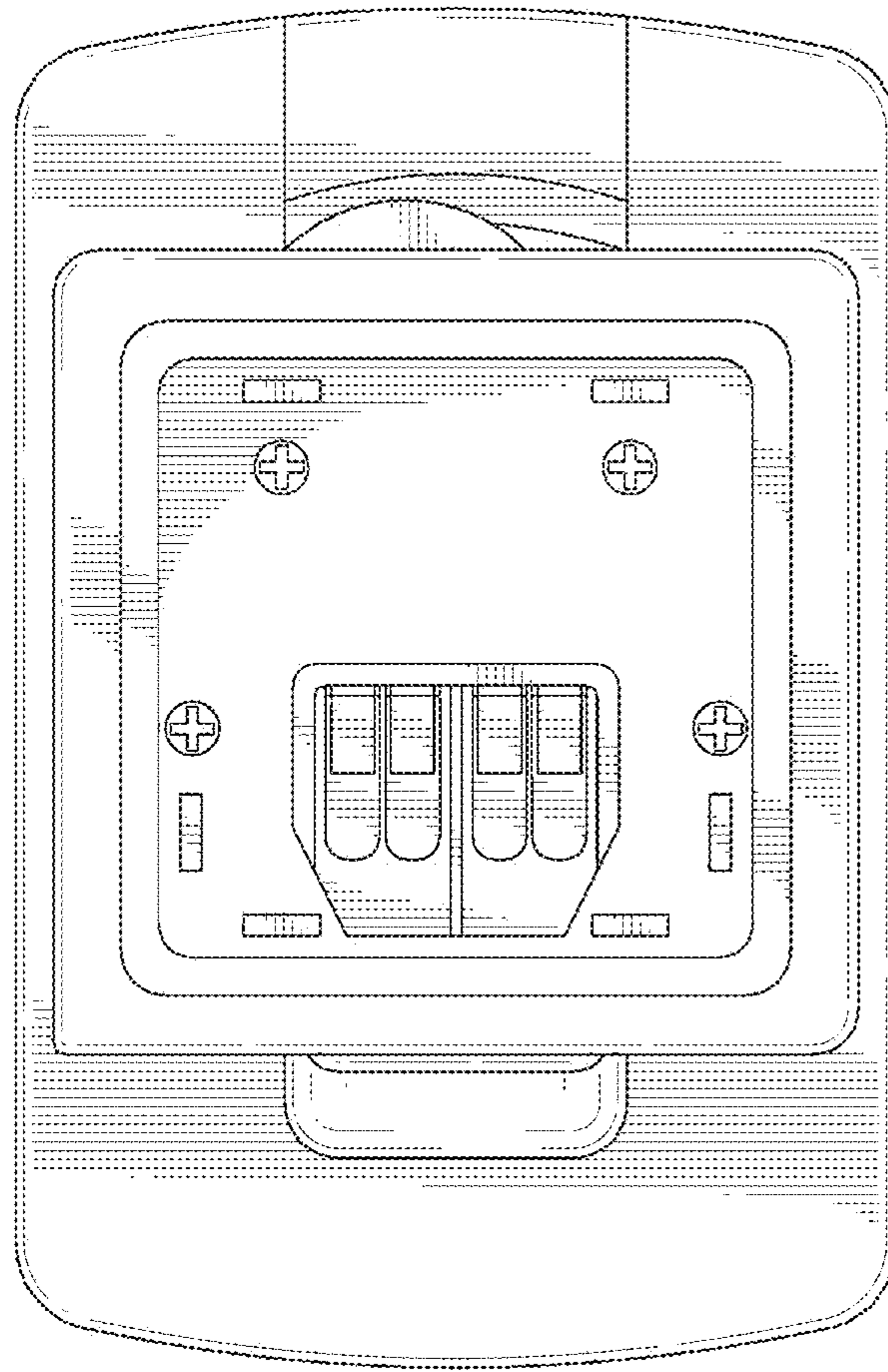


Figure 2

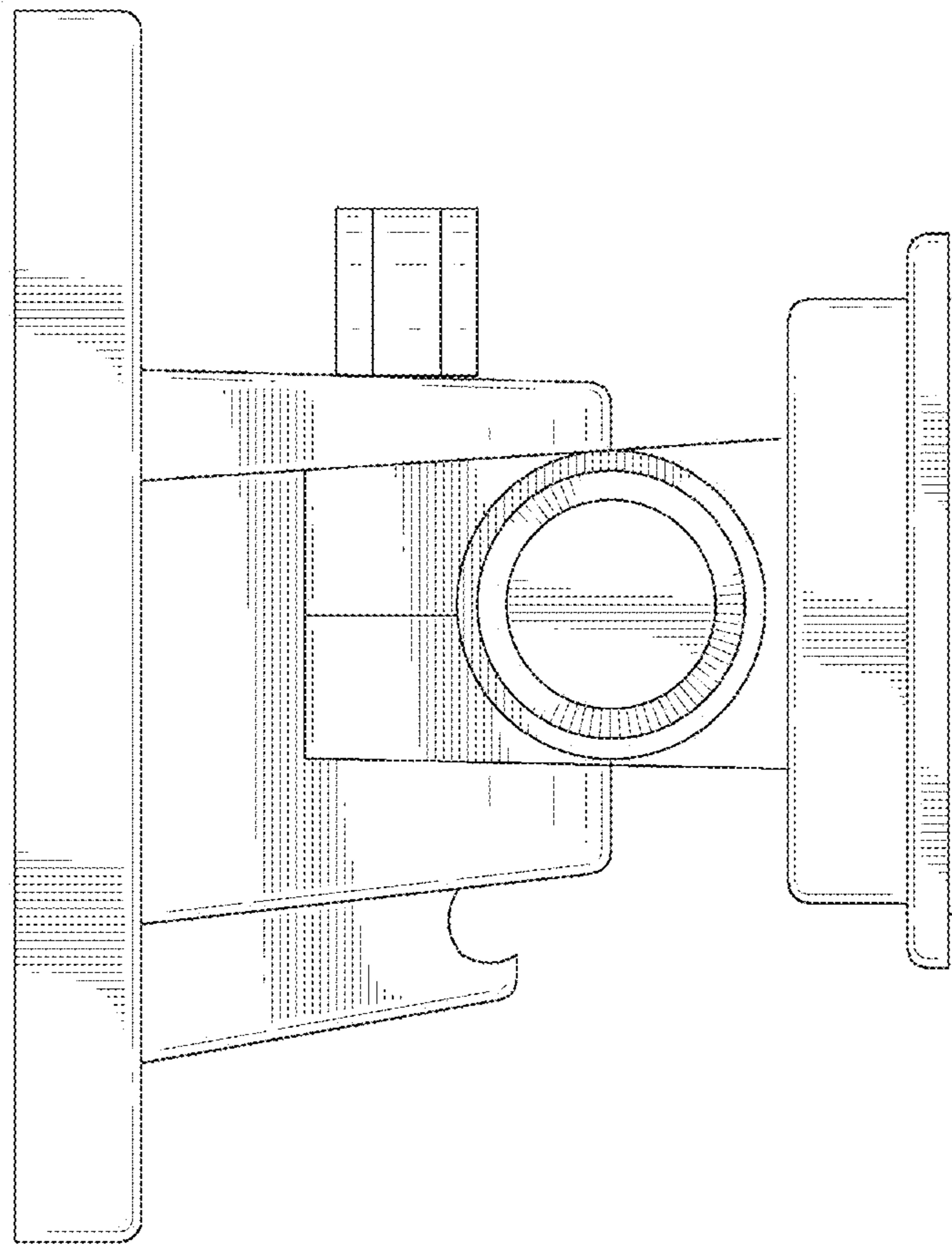


Figure 3

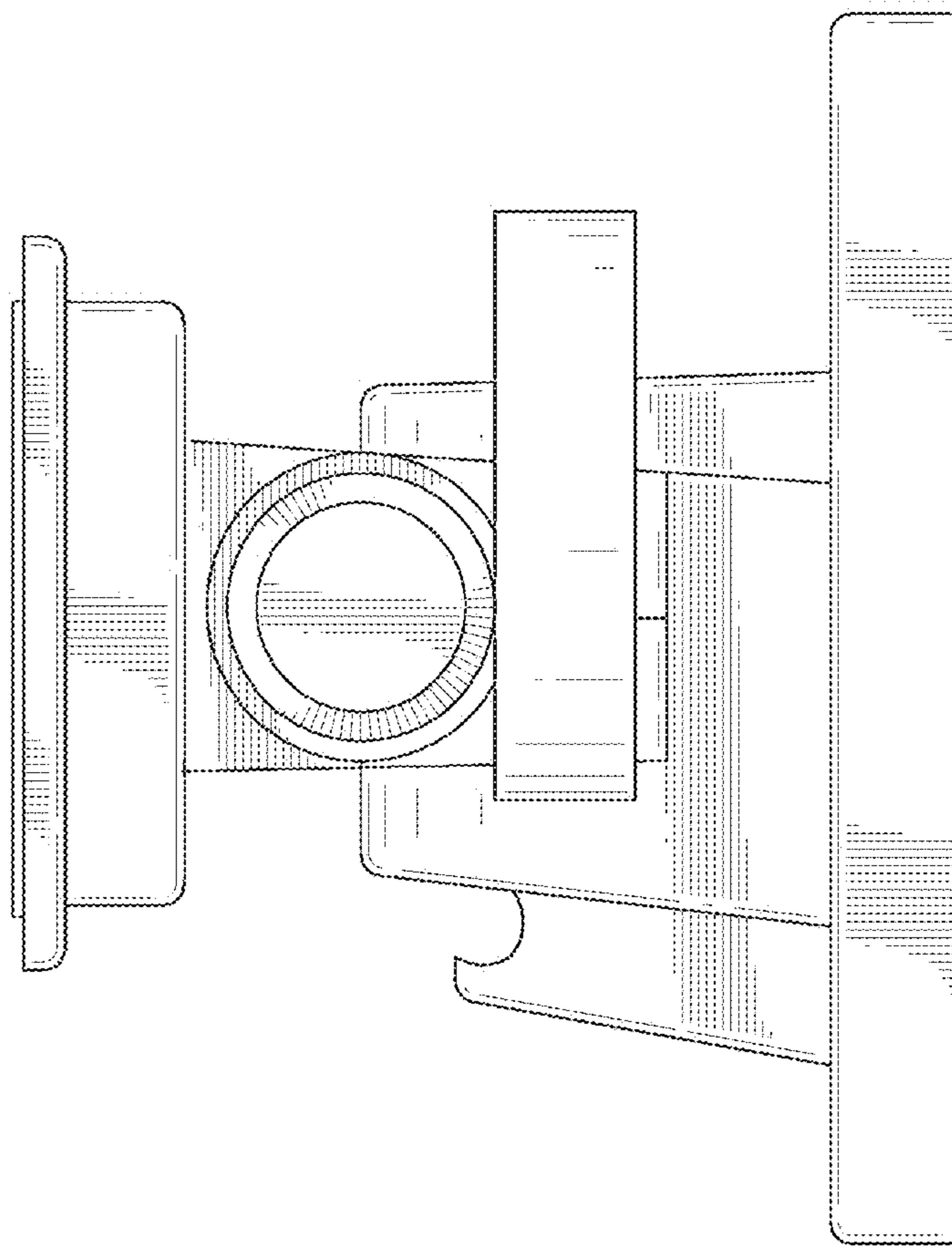


Figure 4

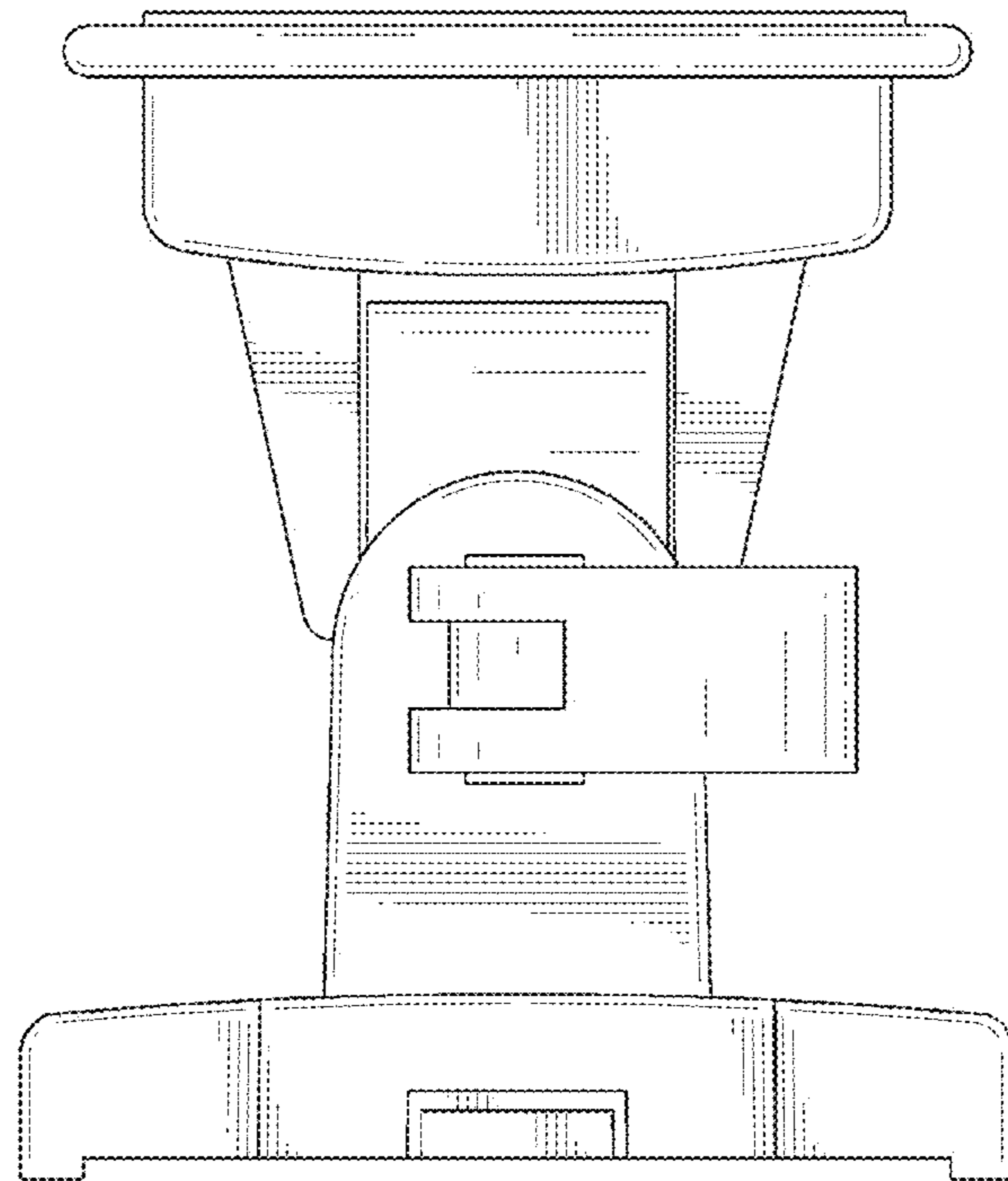


Figure 5

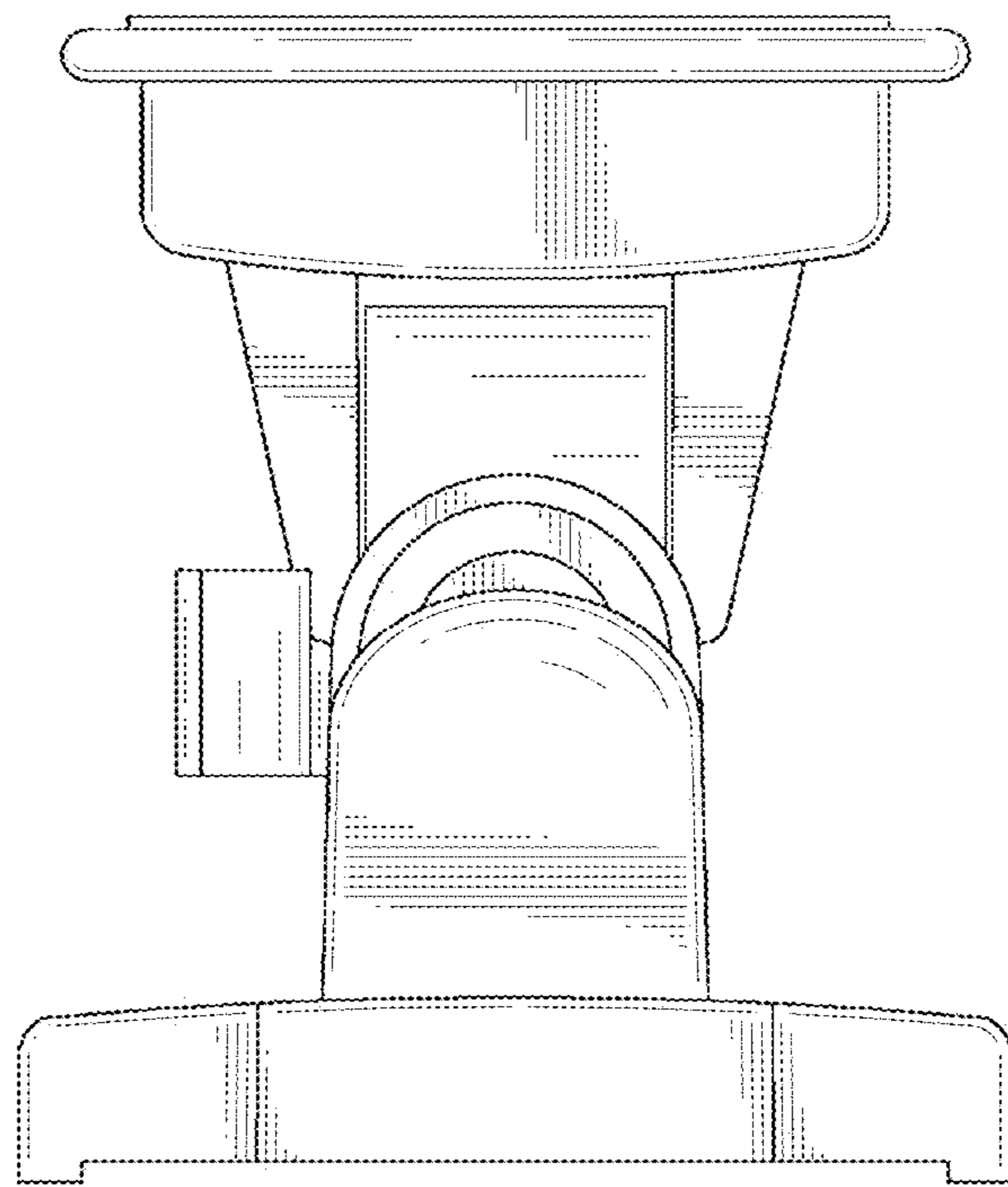


Figure 6



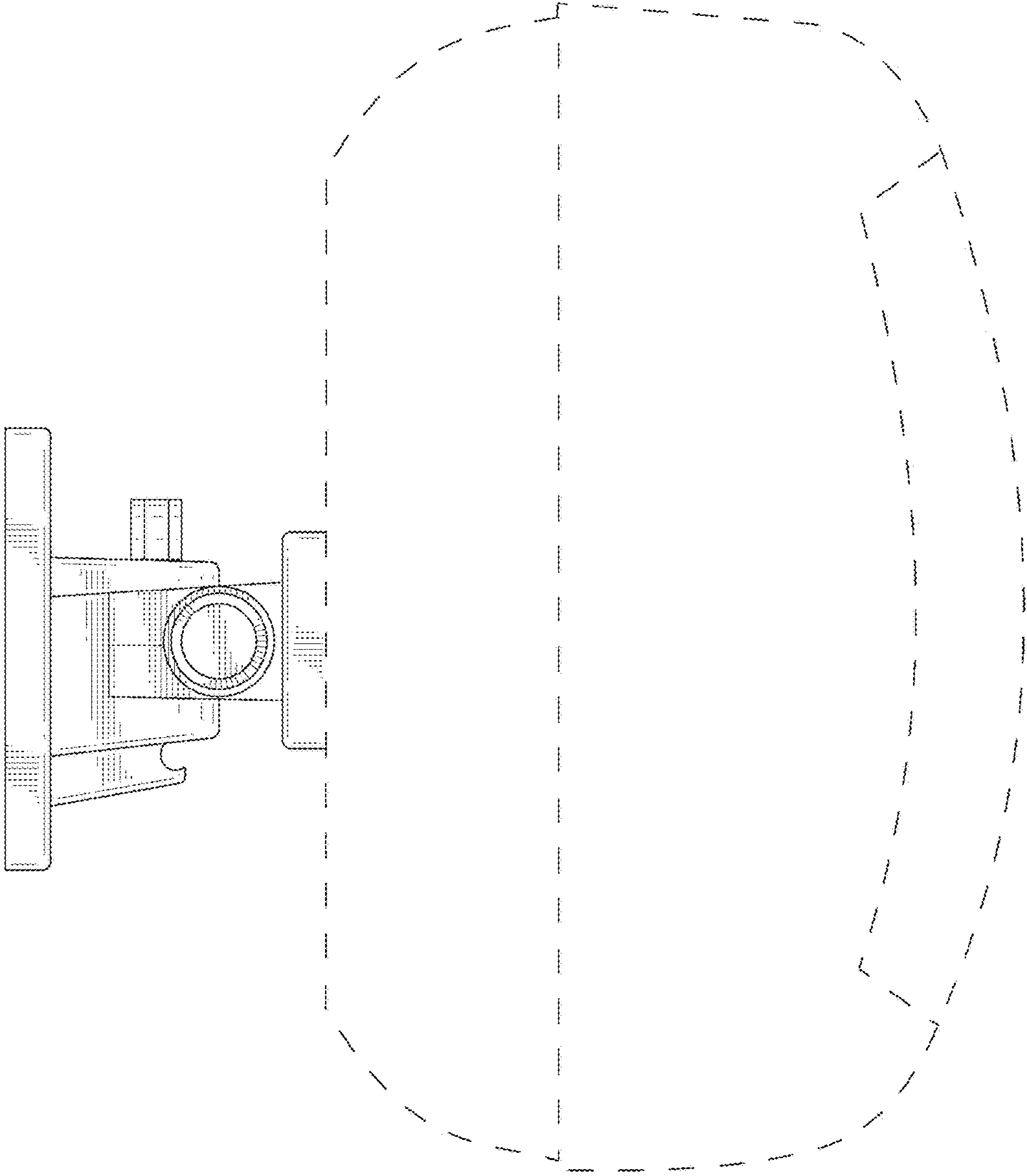


Figure 7