



US00D821363S

(12) **United States Design Patent**
Chen

(10) **Patent No.:** **US D821,363 S**
(45) **Date of Patent:** **** Jun. 26, 2018**

(54) **EARPHONE**

(71) Applicant: **Zhongda Chen**, Guangdong (CN)

(72) Inventor: **Zhongda Chen**, Guangdong (CN)

(**) Term: **15 Years**

(21) Appl. No.: **29/582,906**

(22) Filed: **Oct. 31, 2016**

(30) **Foreign Application Priority Data**

Aug. 30, 2016 (CN) 2016 3 0444037

(51) **LOC (11) Cl.** **14-01**

(52) **U.S. Cl.**
USPC **D14/223**

(58) **Field of Classification Search**
USPC D14/223, 205, 206; D24/174; 181/129,
181/130, 135; 128/864, 866, 867;
381/381, 380
CPC H04R 25/00; H04R 25/02; H04R 1/10;
H04R 1/1016; H04R 1/105; H04R
1/1083; H04R 1/1041; H04R 2420/07;
H04R 2430/01; H04R 1/02
See application file for complete search history.

(56) **References Cited**

U.S. PATENT DOCUMENTS

D431,553 S *	10/2000	Suzuki	D14/223
D479,834 S *	9/2003	Salazar	D14/205
D487,077 S *	2/2004	Obata	D14/223
D514,551 S *	2/2006	Lee	D14/205
D554,627 S *	11/2007	Gondo	D14/223
D566,099 S *	4/2008	Komiyama	D14/206
D603,379 S *	11/2009	Harbeke	D14/223
D626,117 S *	10/2010	Lowry	D14/223
D668,244 S *	10/2012	Matsumura	D14/223
D686,597 S *	7/2013	Lee	D14/223
D708,599 S *	7/2014	Ang	H04R 1/10 D14/223

D712,874 S *	9/2014	Gauger, Jr.	D14/206
D738,864 S *	9/2015	Lee	D14/223
D761,233 S *	7/2016	Kawaji	D14/223
D778,267 S *	2/2017	Hsieh	D14/223
2011/0158457 A1 *	6/2011	Ishizaka	H04R 1/12 381/380
2012/0275632 A1 *	11/2012	Huang	H04R 1/2826 381/345
2014/0321672 A1 *	10/2014	Yeh	H04R 1/02 381/119
2016/0066079 A1 *	3/2016	Kolton	H04R 1/1058 381/380

* cited by examiner

Primary Examiner — Keli L Hill
Assistant Examiner — Karra S Johnson

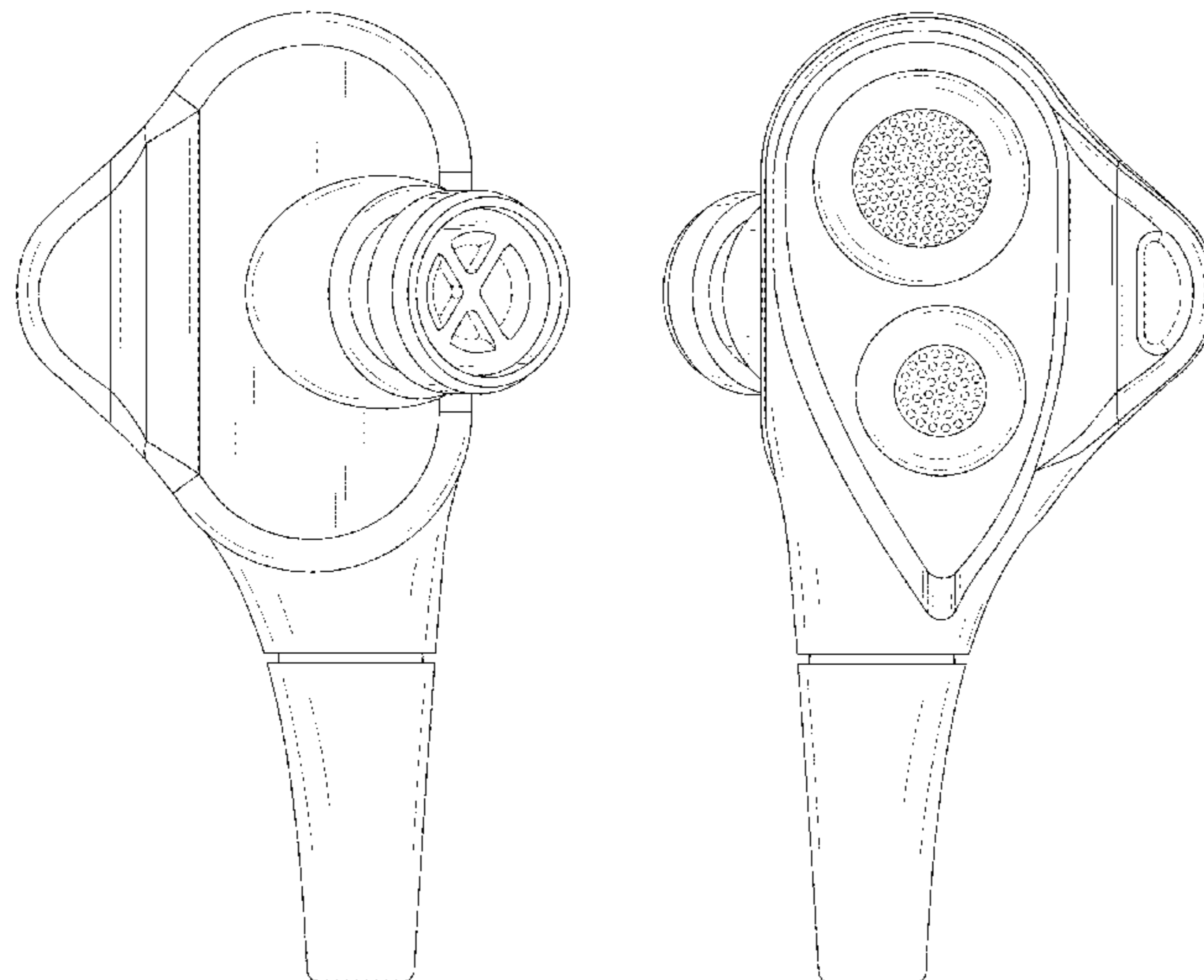
(57) **CLAIM**

The ornamental design for an earphone, as shown and described.

DESCRIPTION

FIG. 1 is a front elevational view of an earphone showing my new design;
FIG. 2 is a rear elevational view thereof;
FIG. 3 is a left side view thereof;
FIG. 4 is a right side view thereof;
FIG. 5 is a top plan view thereof;
FIG. 6 is a bottom plan view thereof;
FIG. 7 is a first perspective view thereof;
FIG. 8 is a second perspective view thereof;
FIG. 9 is a third perspective view thereof;
FIG. 10 is a fourth perspective view thereof; and,
FIG. 11 is a fifth perspective view thereof, with an elastic plug mounted onto the earphone.
The broken lines shown in FIGS. 1, 2, 4, 6, 7, 8, 9 and 10 are included for the purpose of illustrating portions of the earphone that form no part of the claim. The broken lines in FIG. 11 depict an elastic plug of the earphone which forms no part of the claimed design.

1 Claim, 11 Drawing Sheets



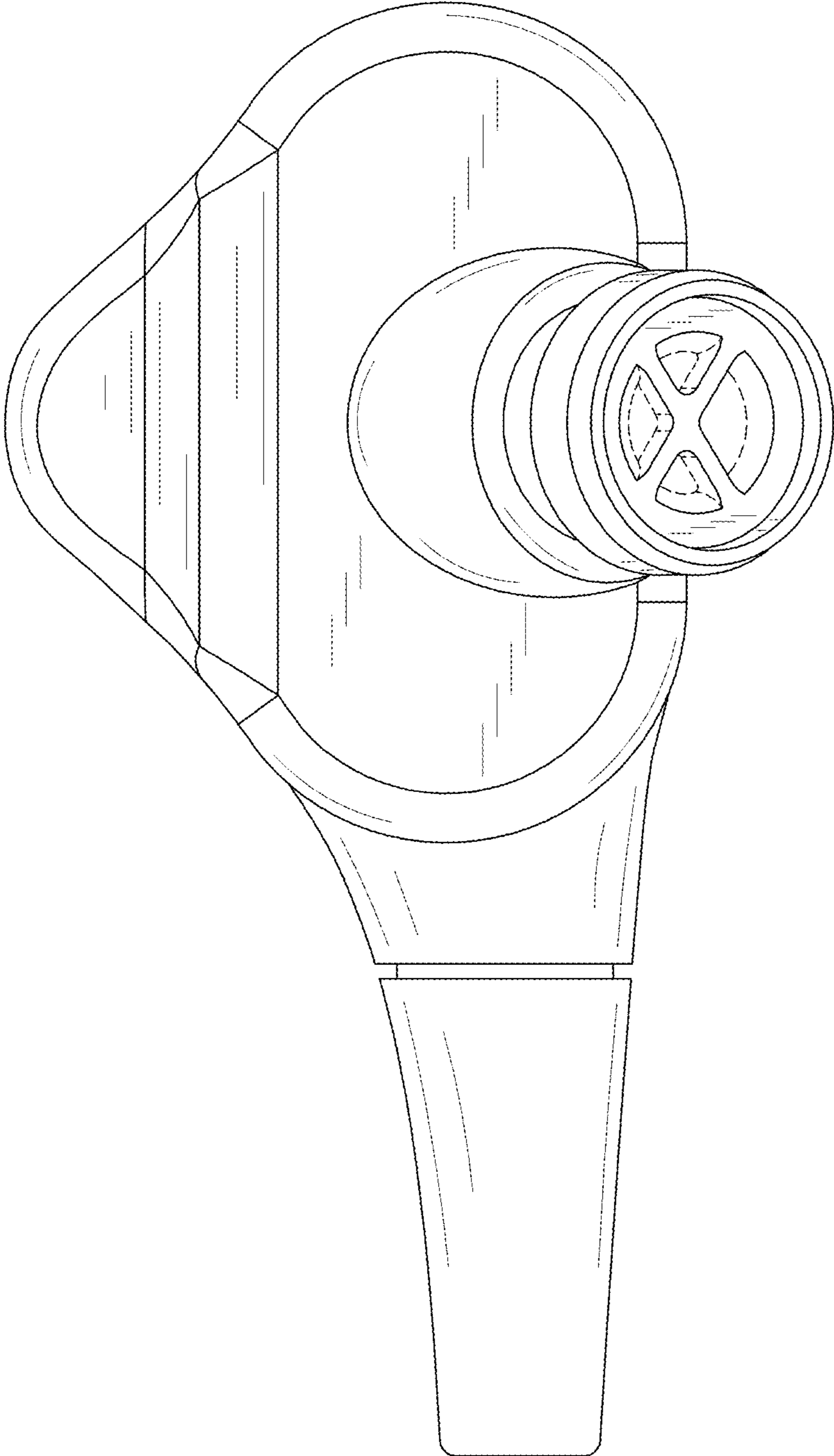


FIG.1

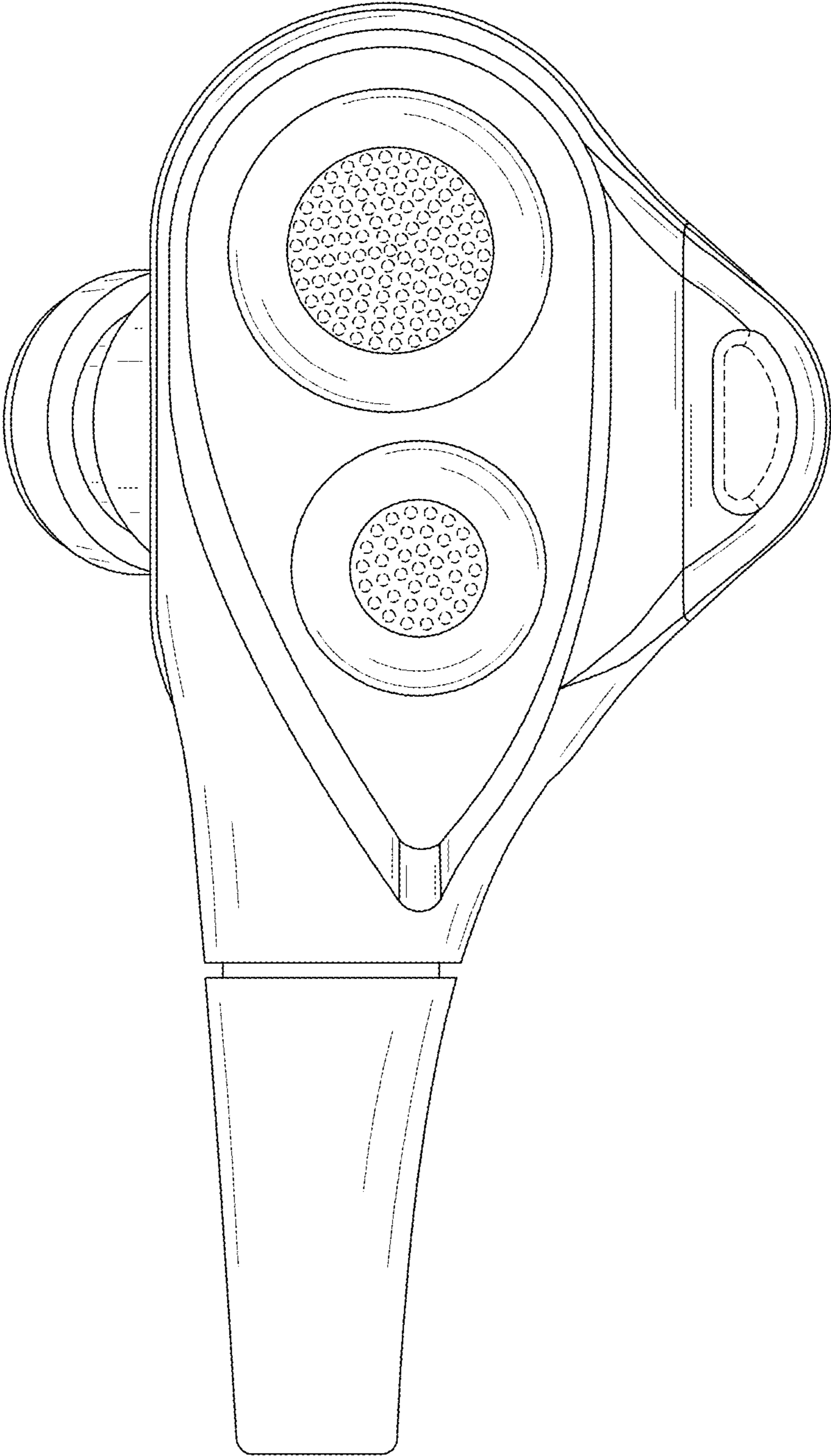


FIG.2

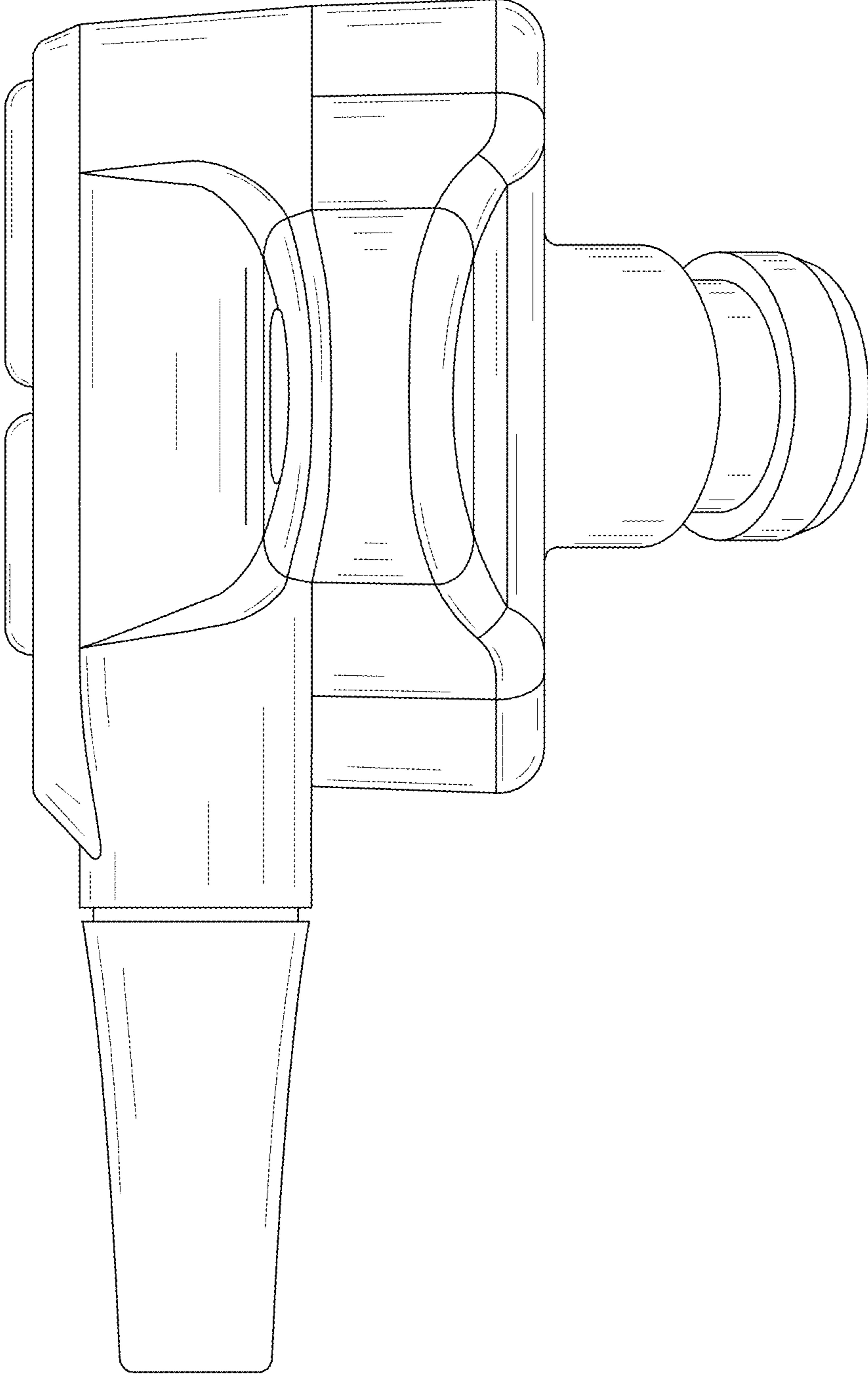


FIG.3

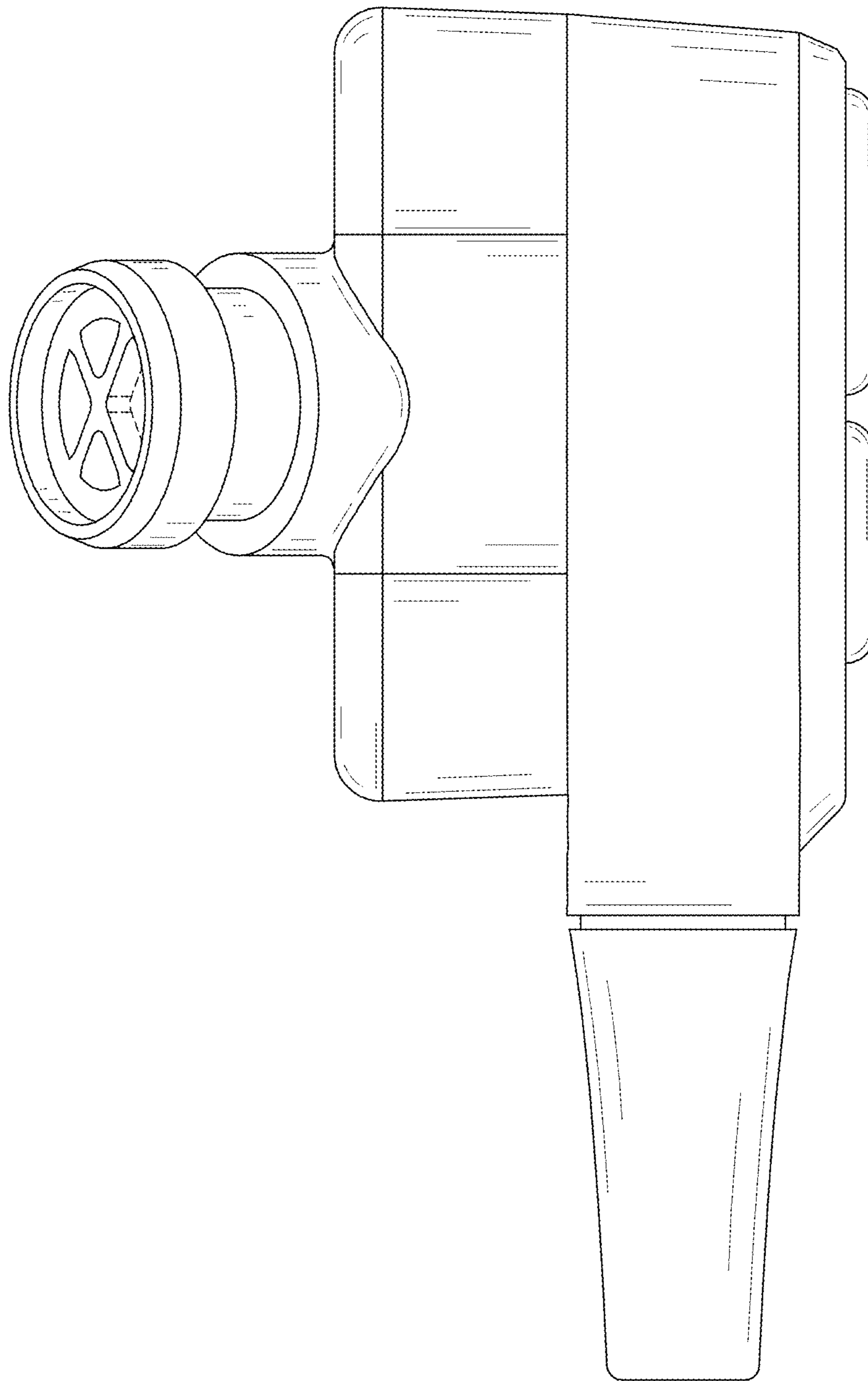


FIG.4

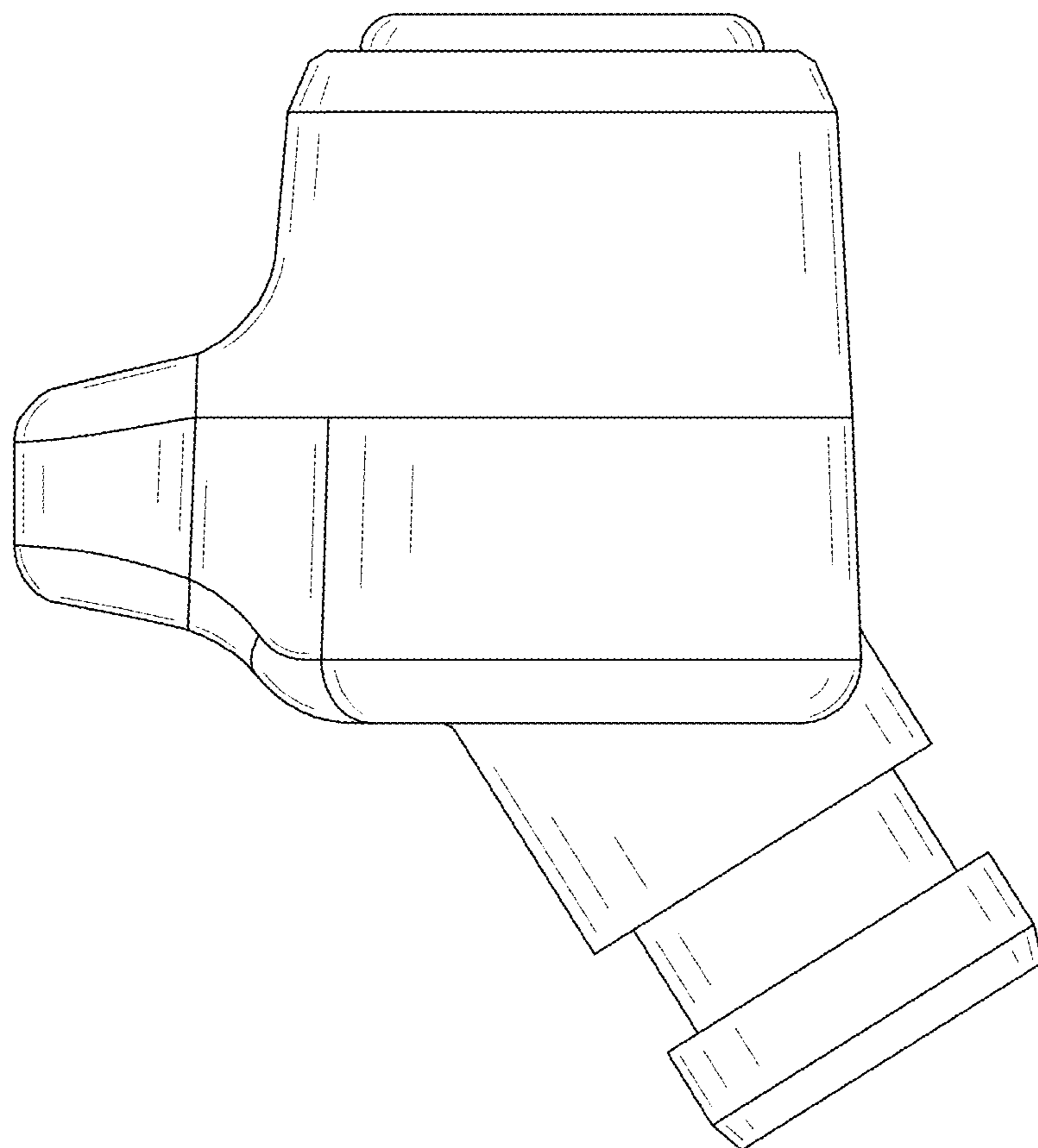


FIG.5

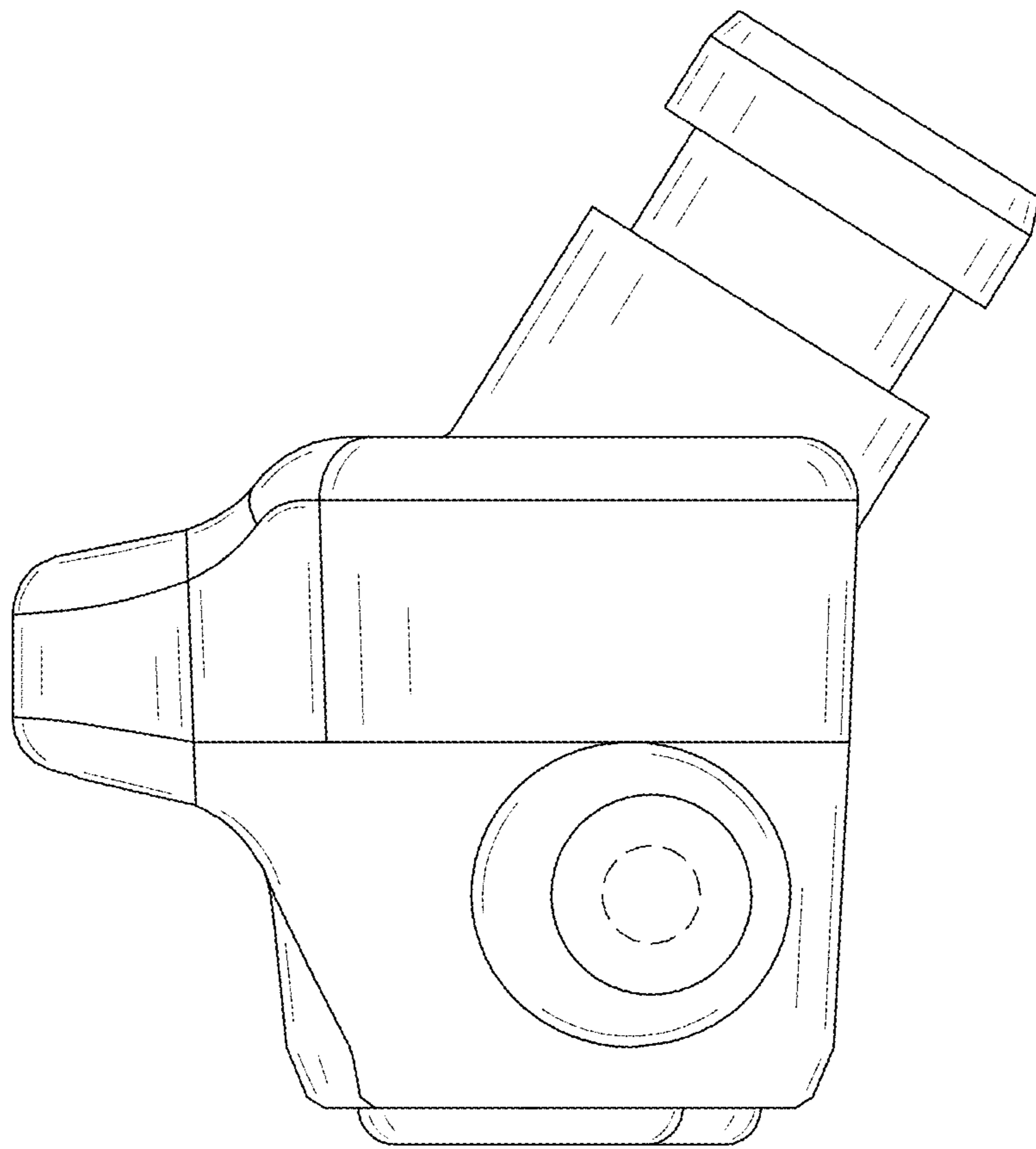


FIG.6

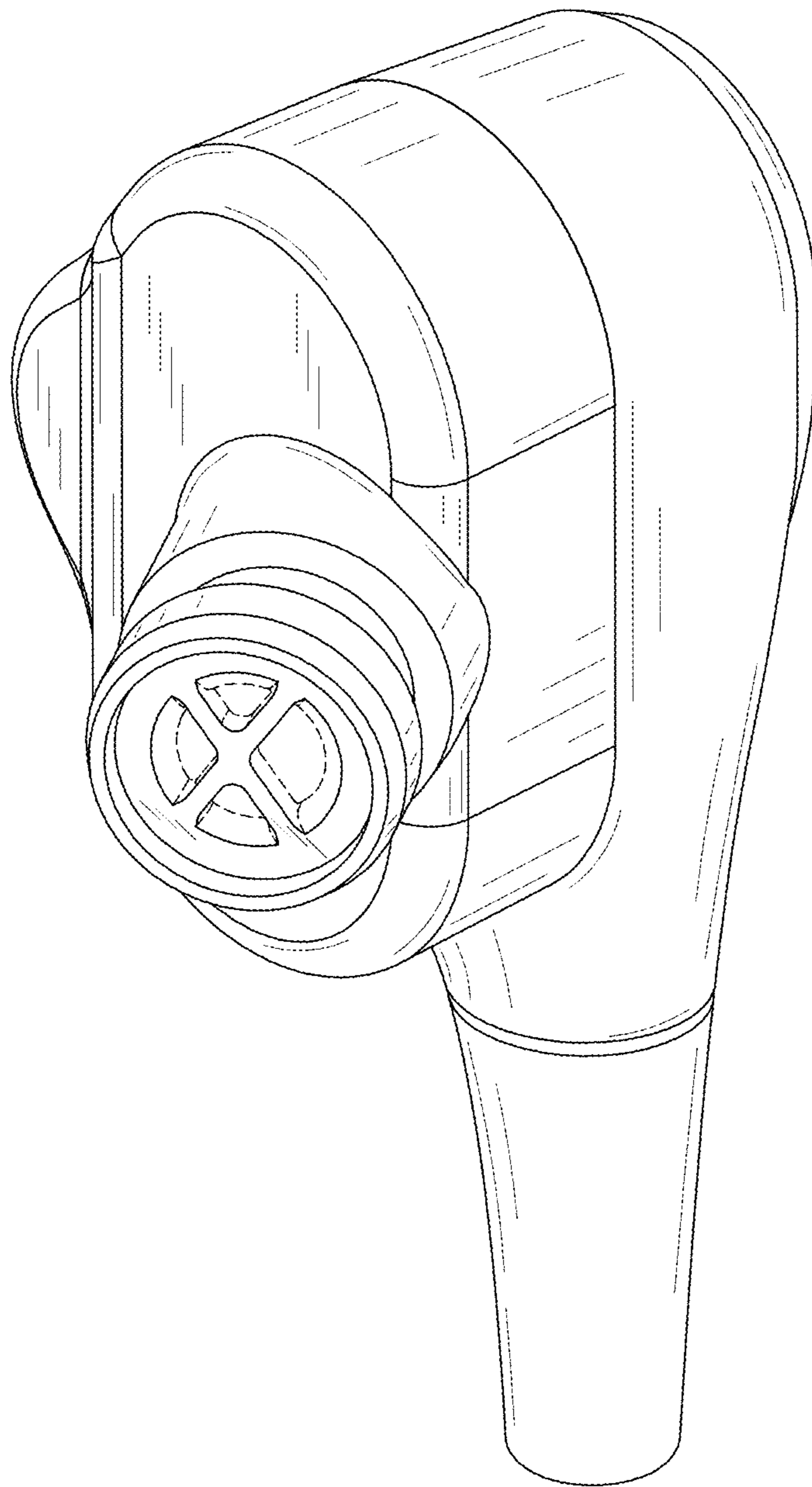


FIG.7

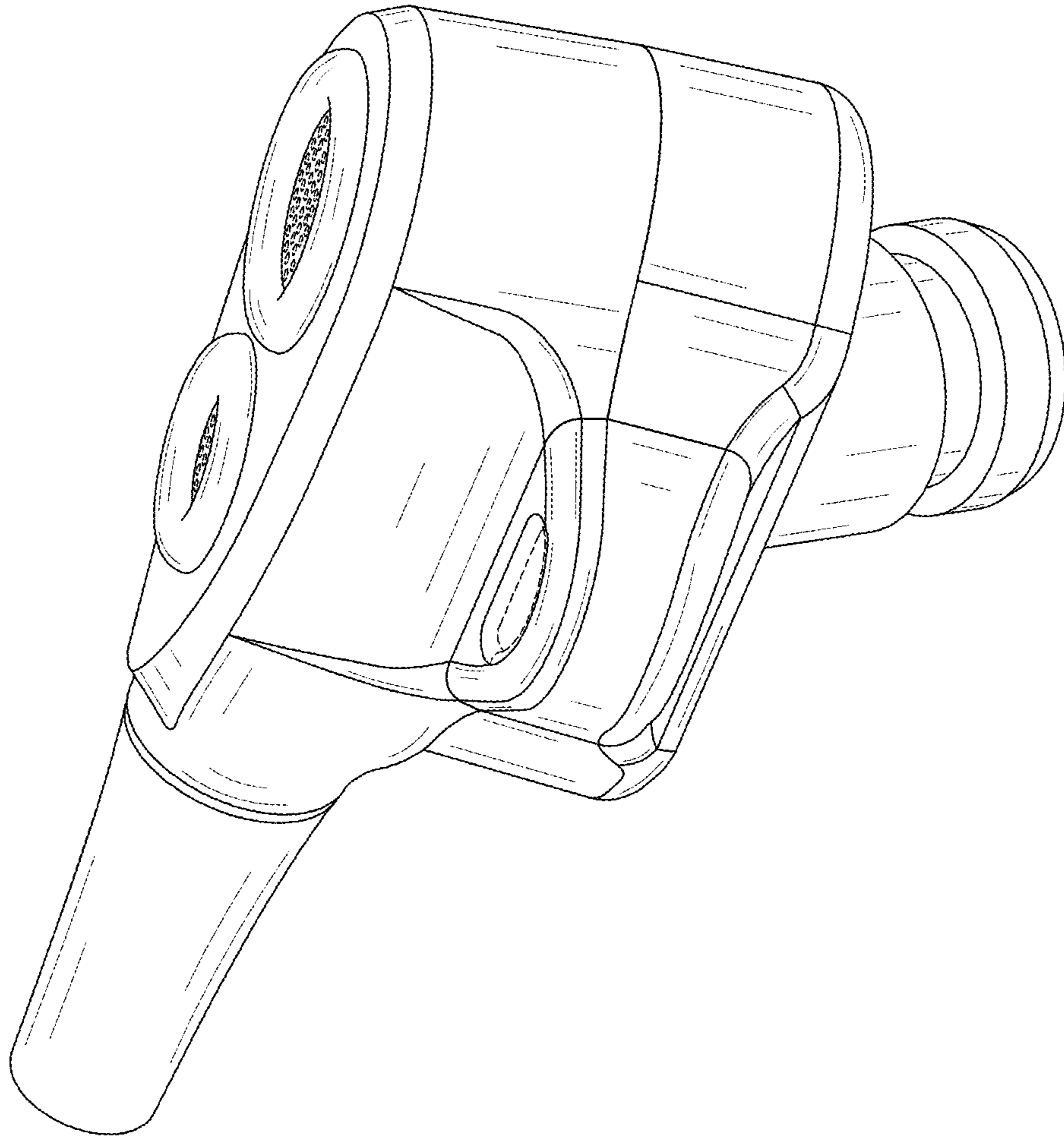


FIG.8

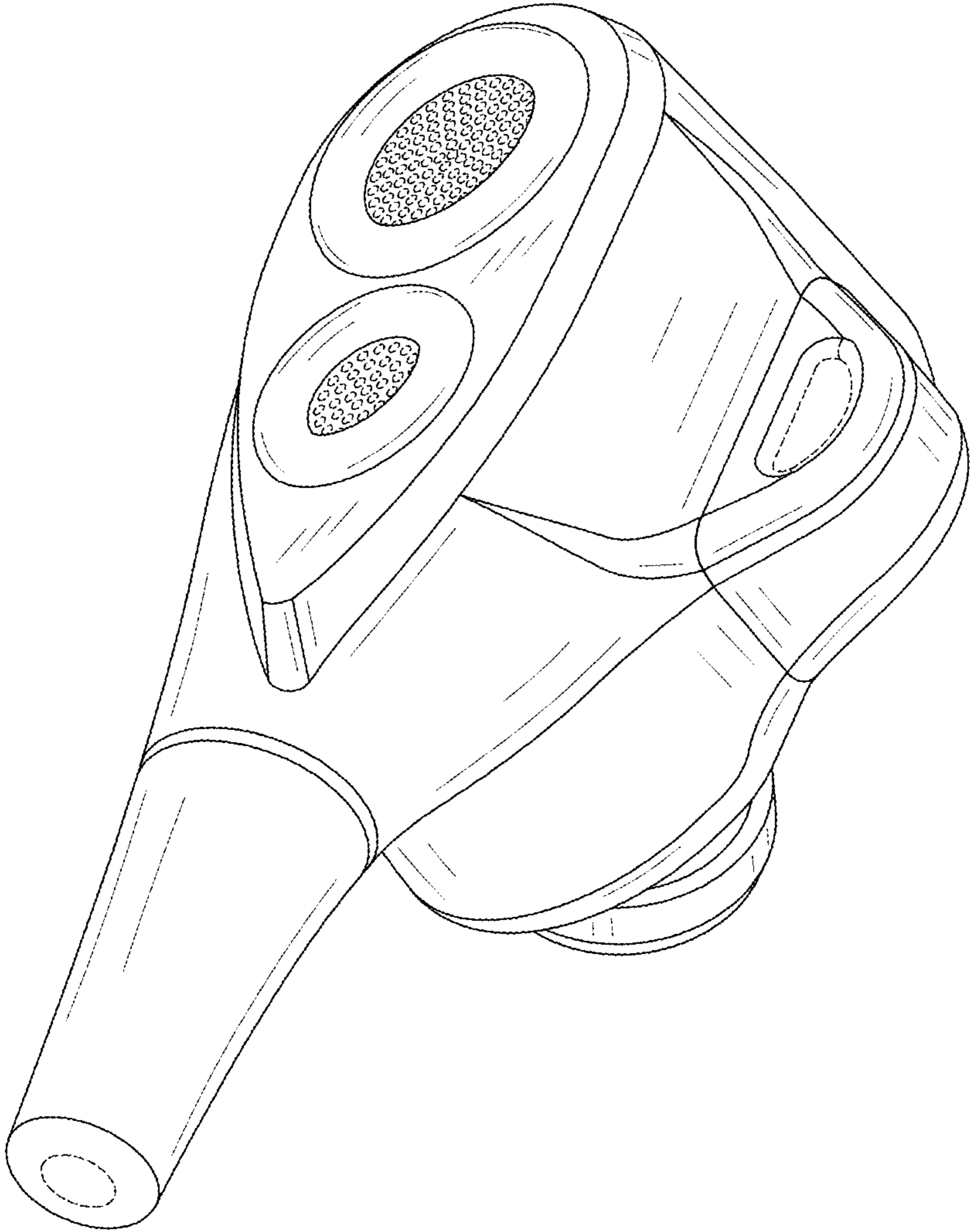


FIG.9

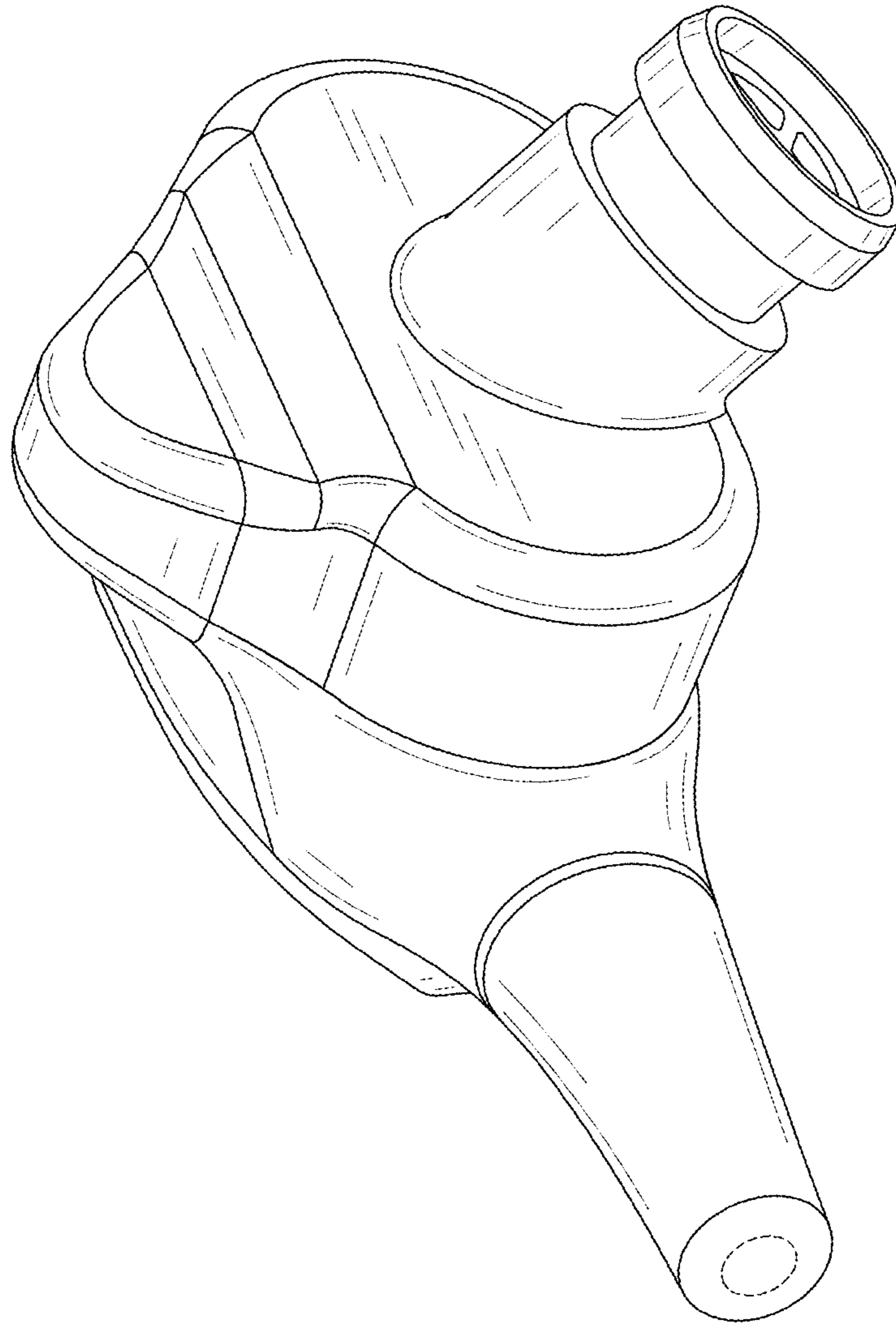


FIG.10

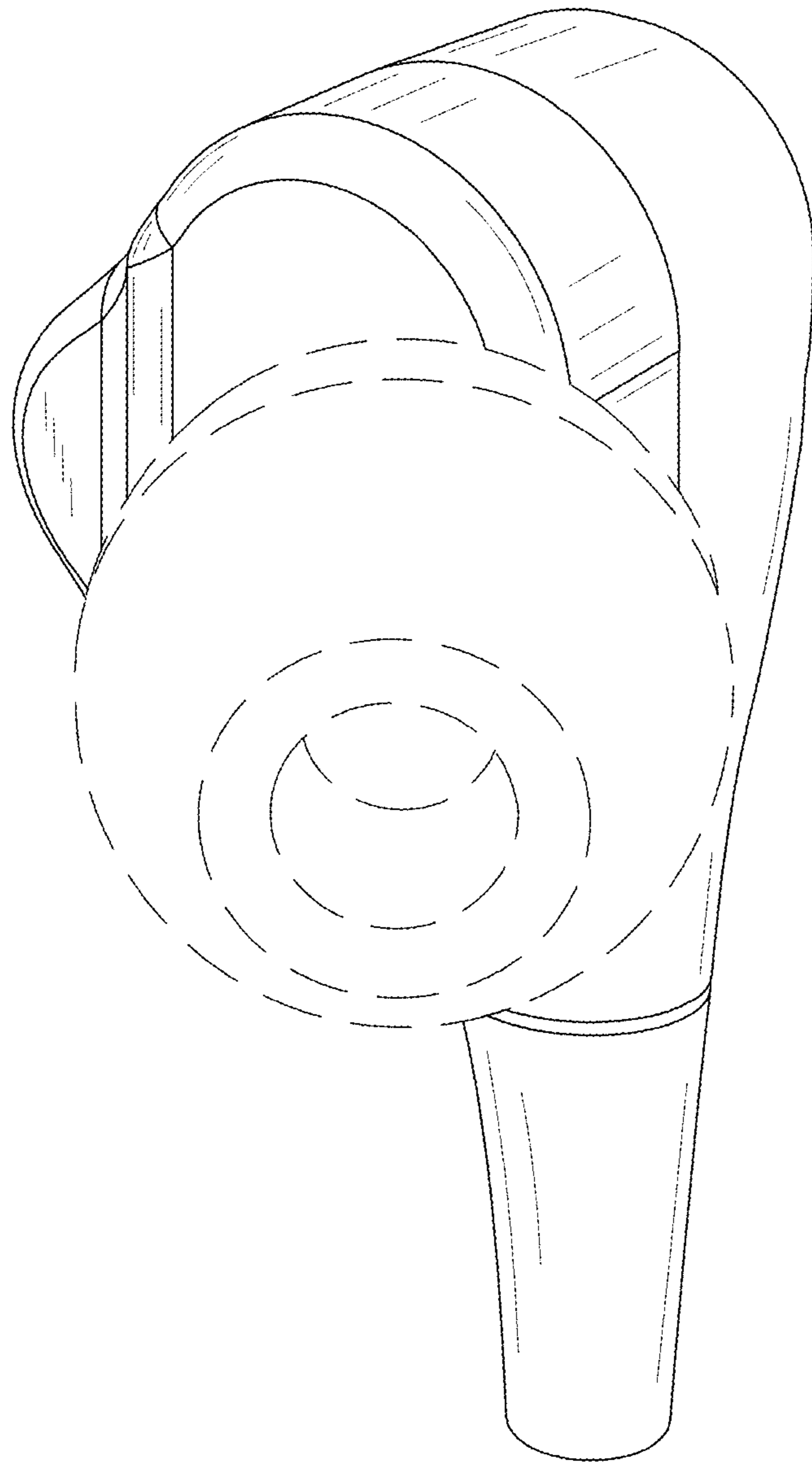


FIG.11