



US00D821362S

(12) **United States Design Patent**
Vaclavik

(10) **Patent No.:** **US D821,362 S**
(45) **Date of Patent:** **** Jun. 26, 2018**

- (54) **HEADSET**
- (71) Applicant: **Harman International Industries, Incorporated**, Northridge, CA (US)
- (72) Inventor: **Ondrej Vaclavik**, Shenzhen (CN)
- (73) Assignee: **Harman International Industries, Incorporated**, Northridge, CA (US)
- (**) Term: **15 Years**
- (21) Appl. No.: **29/560,428**
- (22) Filed: **Apr. 6, 2016**

D621,389 S * 8/2010 Nagayama D14/223
 D623,630 S * 9/2010 Ohori D14/223
 D627,765 S * 11/2010 Zheng D14/223

(Continued)

OTHER PUBLICATIONS

JBL Everest Elite 100 NXTGen Noise-Cancelling Bluetooth In-Ear Headphones Black, first available Mar. 15, 2016, site visited Nov. 20, 2017, Copyright © 1996-2017, <https://www.amazon.com/JBL-Everest-Noise-Cancelling-Bluetooth-Headphones/dp/B01D0CEC62/ref=sr_1_2_sspa?ie=UTF8&qid=1511212239&sr=8-2-spons&keywords=jbl+everest+elite&psc=1&smid=AKR88PAWTQVN2>.*

Primary Examiner — Cathron C Brooks
Assistant Examiner — Sharon S Oum
 (74) *Attorney, Agent, or Firm* — Plumsea Law Group, LLC

Related U.S. Application Data

- (63) Continuation of application No. 29/538,478, filed on Sep. 3, 2015.
- (51) **LOC (11) Cl.** **14-01**
- (52) **U.S. Cl.**
USPC **D14/223**; D14/205
- (58) **Field of Classification Search**
USPC D14/204, 205, 209, 223, 224, 225, 188, D14/192, 206, 240; D29/112; D24/174; 181/129, 130, 135; 379/370, 371, 430, 379/431, 446, 449, 454, 455; 381/380, 381/381
CPC H04R 1/10; H04R 1/1066; H04R 1/1016; H04R 1/105; H04R 25/00; H04R 5/033; H04R 5/0335; H04R 1/1091; H04R 1/1058; H04R 25/02
See application file for complete search history.

(57) **CLAIM**

The ornamental design for a headset, as shown and described.

DESCRIPTION

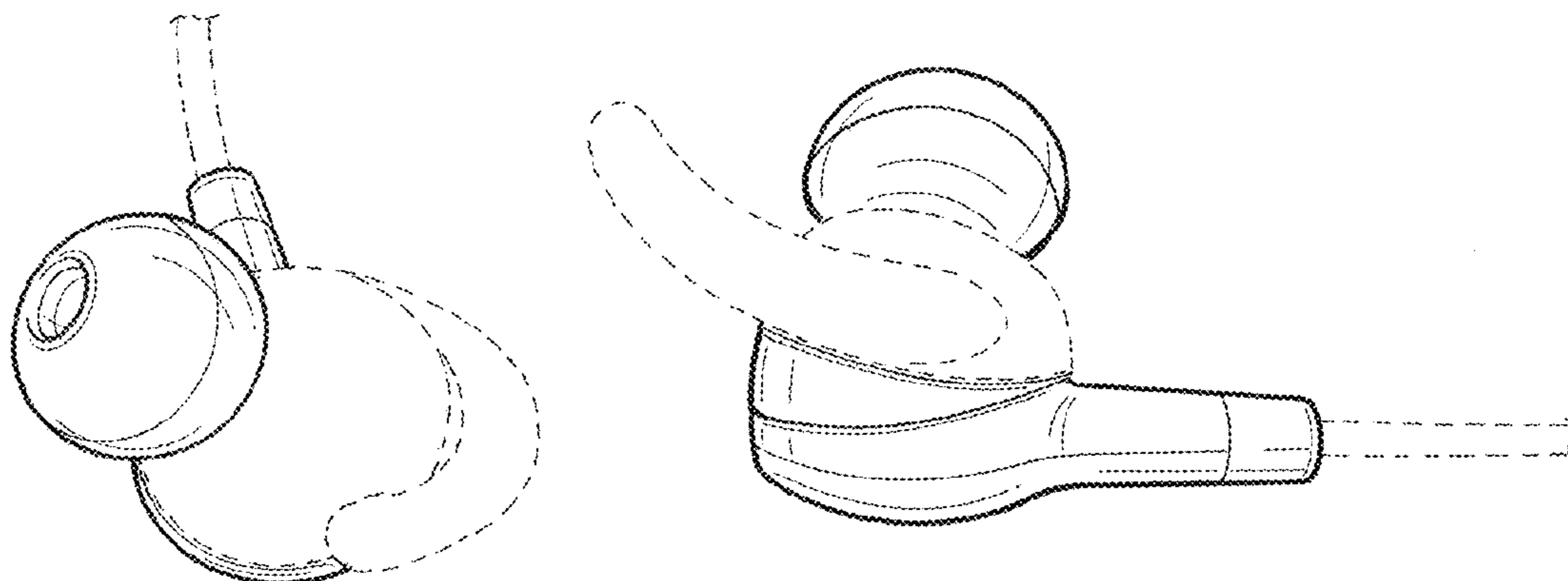
FIG. 1 is a perspective view of a headset showing my new design;
 FIG. 2 is a top plan view thereof;
 FIG. 3 is an elevational view of a side thereof;
 FIG. 4 is a bottom plan view thereof;
 FIG. 5 is an elevational view of another side thereof;
 FIG. 6 is a perspective view thereof, viewed from the right of FIG. 5;
 FIG. 7 is a perspective view of a headset showing the opposite handed embodiment of the headset;
 FIG. 8 is a top plan view thereof;
 FIG. 9 is an elevational view of a side thereof;
 FIG. 10 is a bottom plan view thereof;
 FIG. 11 is an elevational view of another side thereof; and,
 FIG. 12 is a perspective view thereof, viewed from the left of FIG. 11.

(Continued)

(56) **References Cited**

U.S. PATENT DOCUMENTS

D566,099 S * 4/2008 Komiyama D14/206
 D569,841 S * 5/2008 Chung D14/205
 D589,493 S * 3/2009 Densho D14/206
 D606,971 S * 12/2009 Christopher D14/205
 D618,210 S * 6/2010 Andre D14/205
 D618,211 S * 6/2010 Oguro D14/205



The broken lines illustrate portions of the headset that form no part of the claimed design.

1 Claim, 6 Drawing Sheets

(56)

References Cited

U.S. PATENT DOCUMENTS

D637,180 S * 5/2011 Shimizu D14/223
D641,008 S * 7/2011 Lee D14/223
D652,822 S * 1/2012 Lee D14/223
D656,491 S * 3/2012 Nomura D14/223
D679,267 S * 4/2013 Lee D14/223
D679,682 S * 4/2013 Shimizu D14/223
D689,848 S * 9/2013 Lee D14/223
D694,220 S * 11/2013 Lee D14/223
D695,724 S * 12/2013 Ishikura D14/223
D698,760 S * 2/2014 Lee D14/223

D700,905 S * 3/2014 Pavitsich D14/223
D715,253 S * 10/2014 Lee D14/205
D715,254 S * 10/2014 Lee D14/205
D718,745 S * 12/2014 Thompson D14/223
D727,871 S * 4/2015 Orbach D14/205
D729,775 S * 5/2015 Seo D14/205
D740,255 S * 10/2015 Samrelius D14/206
D740,786 S * 10/2015 Huang D14/205
D742,859 S * 11/2015 Miyake D14/223
D760,189 S * 6/2016 Loh Jun Kern D14/205
D762,196 S * 7/2016 Hsieh D14/223
D771,011 S * 11/2016 Ott D14/205
D775,108 S * 12/2016 Hsieh D14/223
D777,139 S * 1/2017 Fletcher D14/205
D778,268 S * 2/2017 Hsieh D14/223
D780,155 S * 2/2017 Levine D14/205
D784,962 S * 4/2017 Yang D14/223
D800,703 S * 10/2017 Vaclavik D14/223
2015/0222978 A1 * 8/2015 Murozaki H04R 1/1016
381/380

* cited by examiner

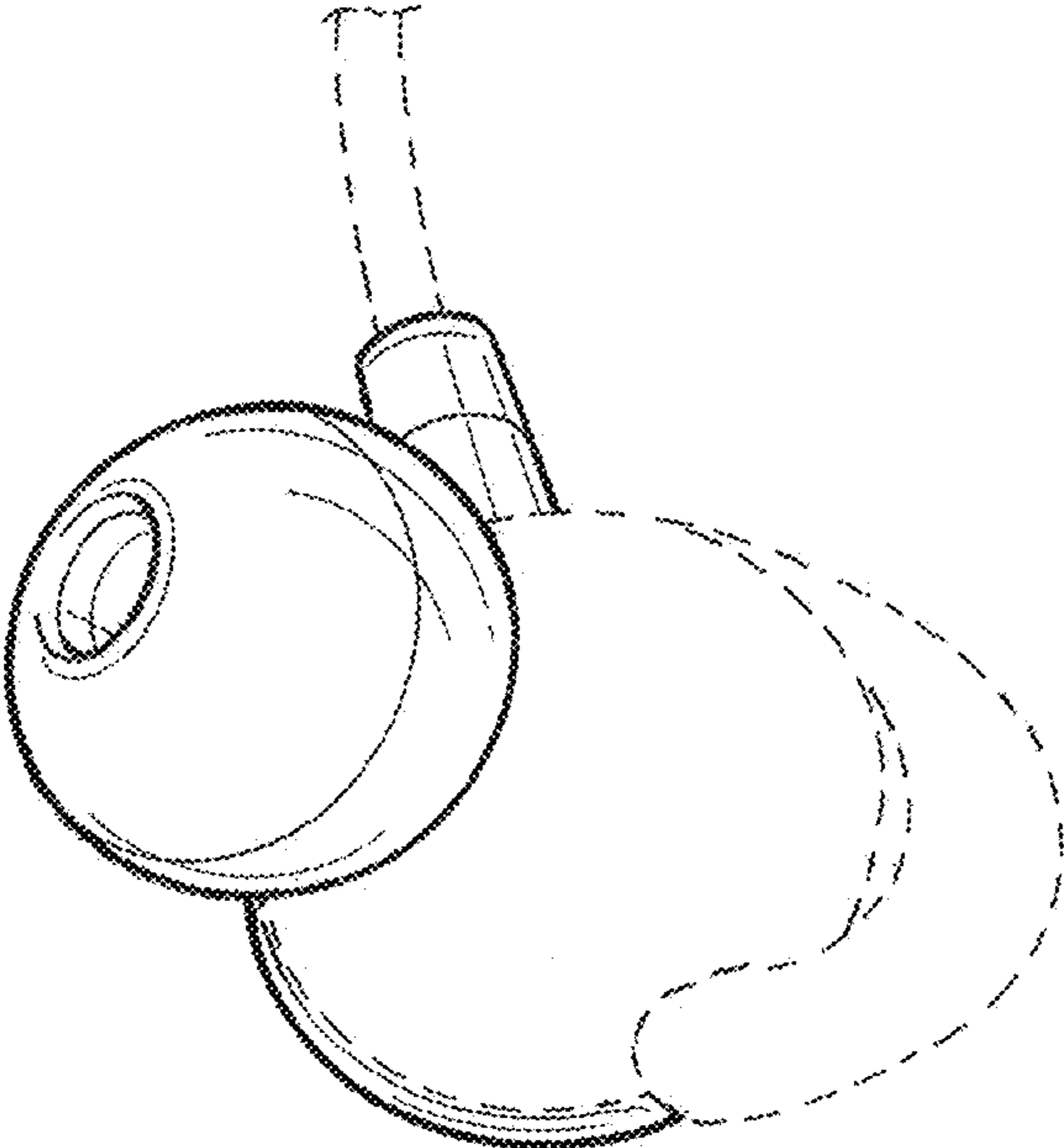


FIG. 1

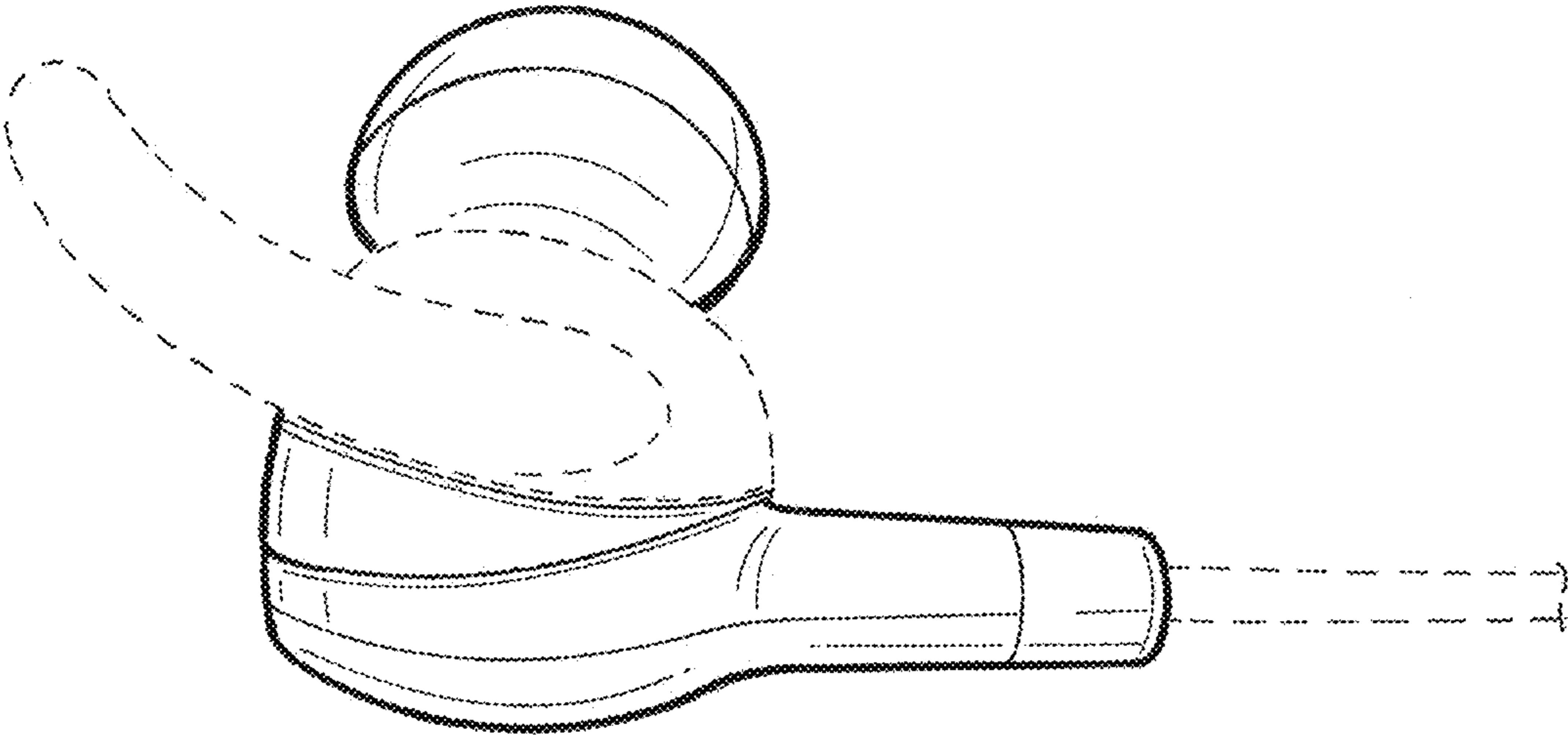


FIG. 2

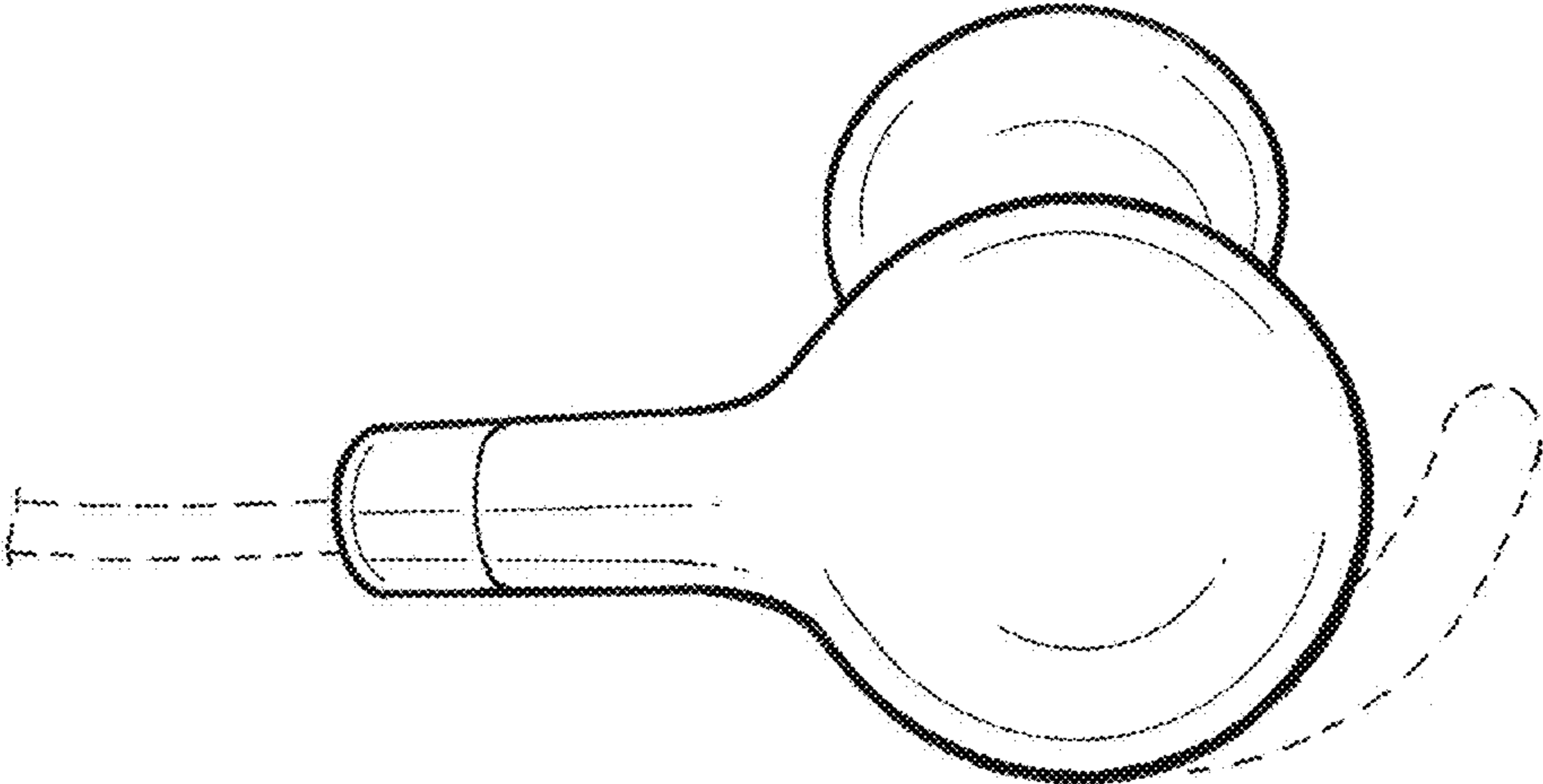


FIG. 3

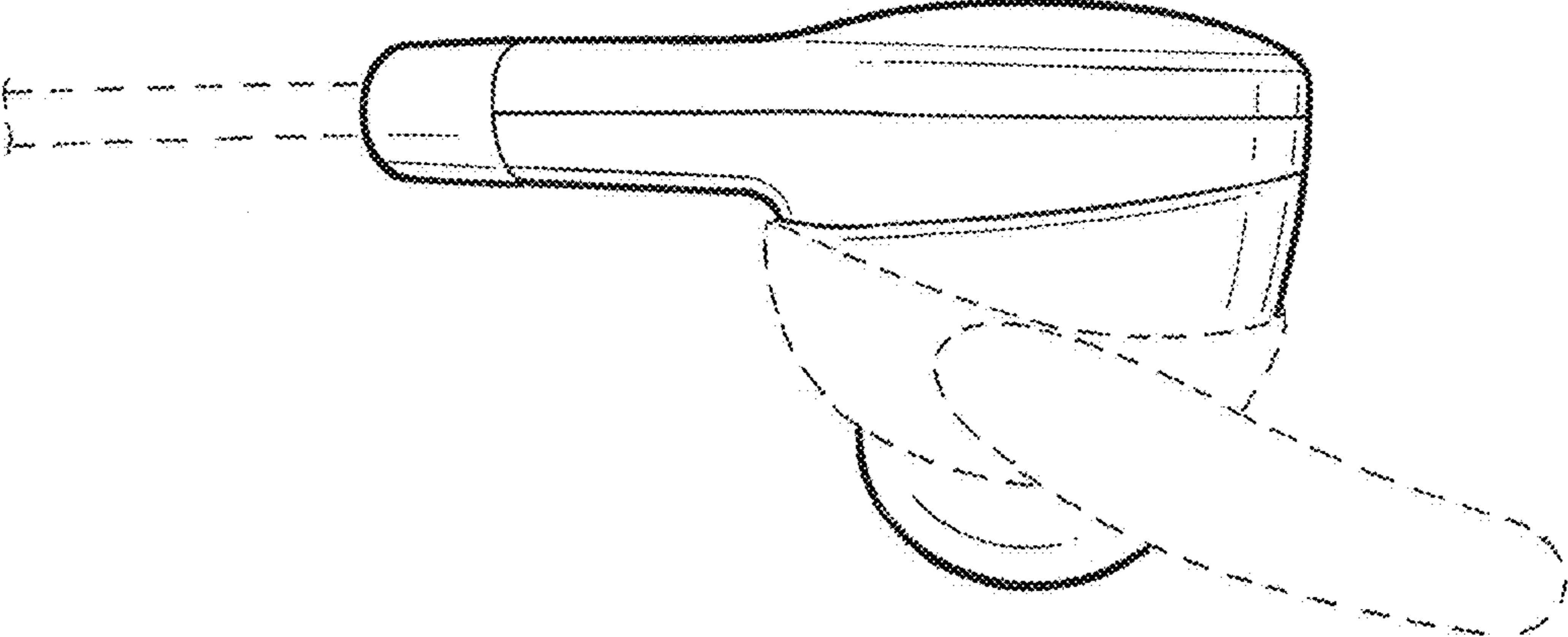


FIG. 4

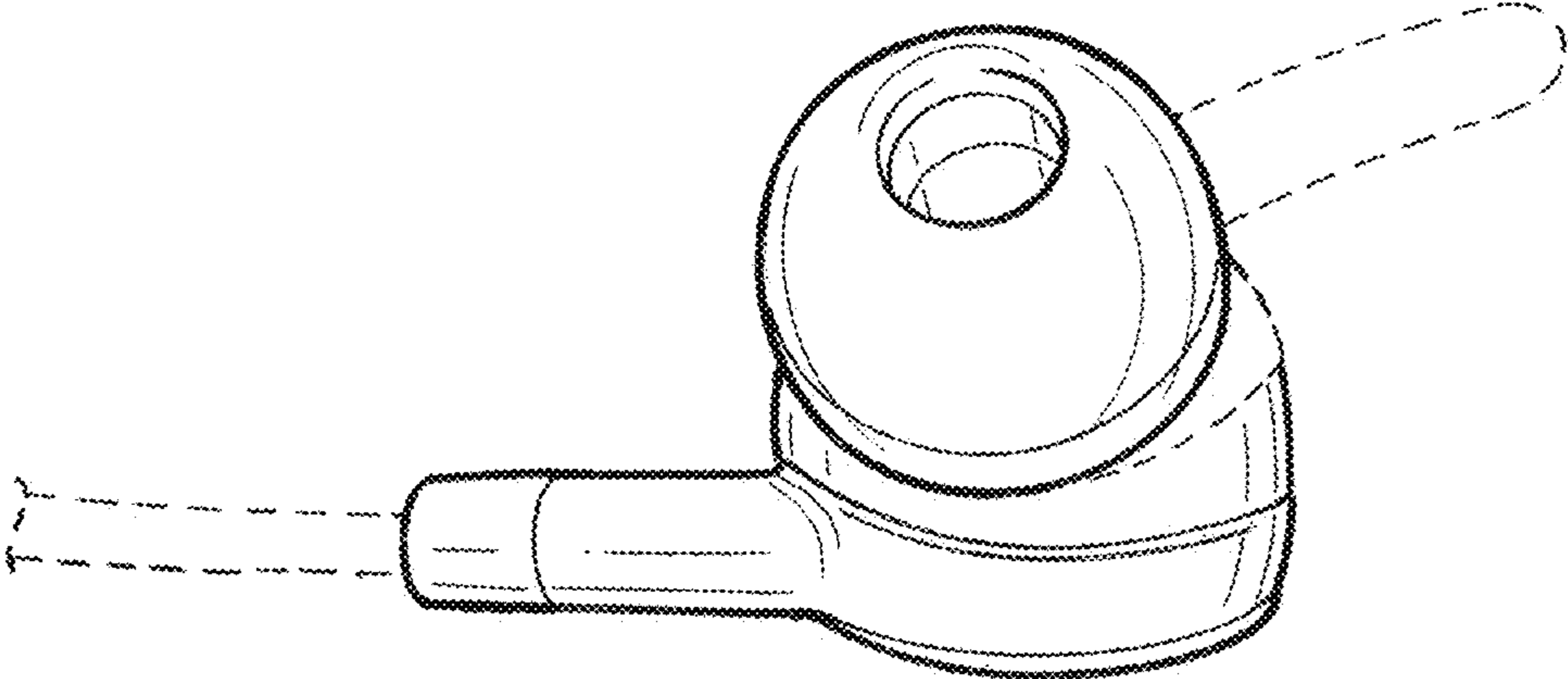


FIG. 5

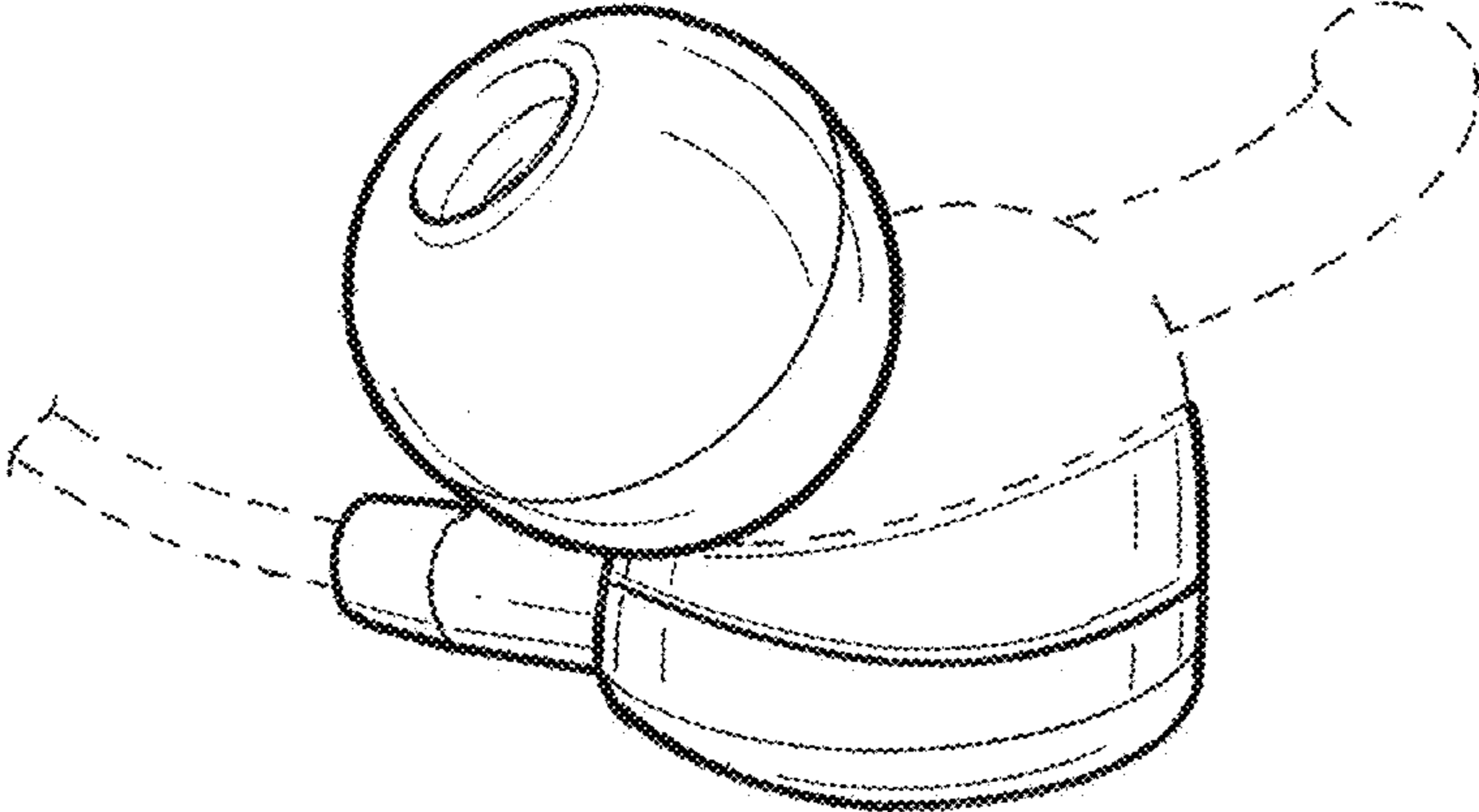


FIG. 6

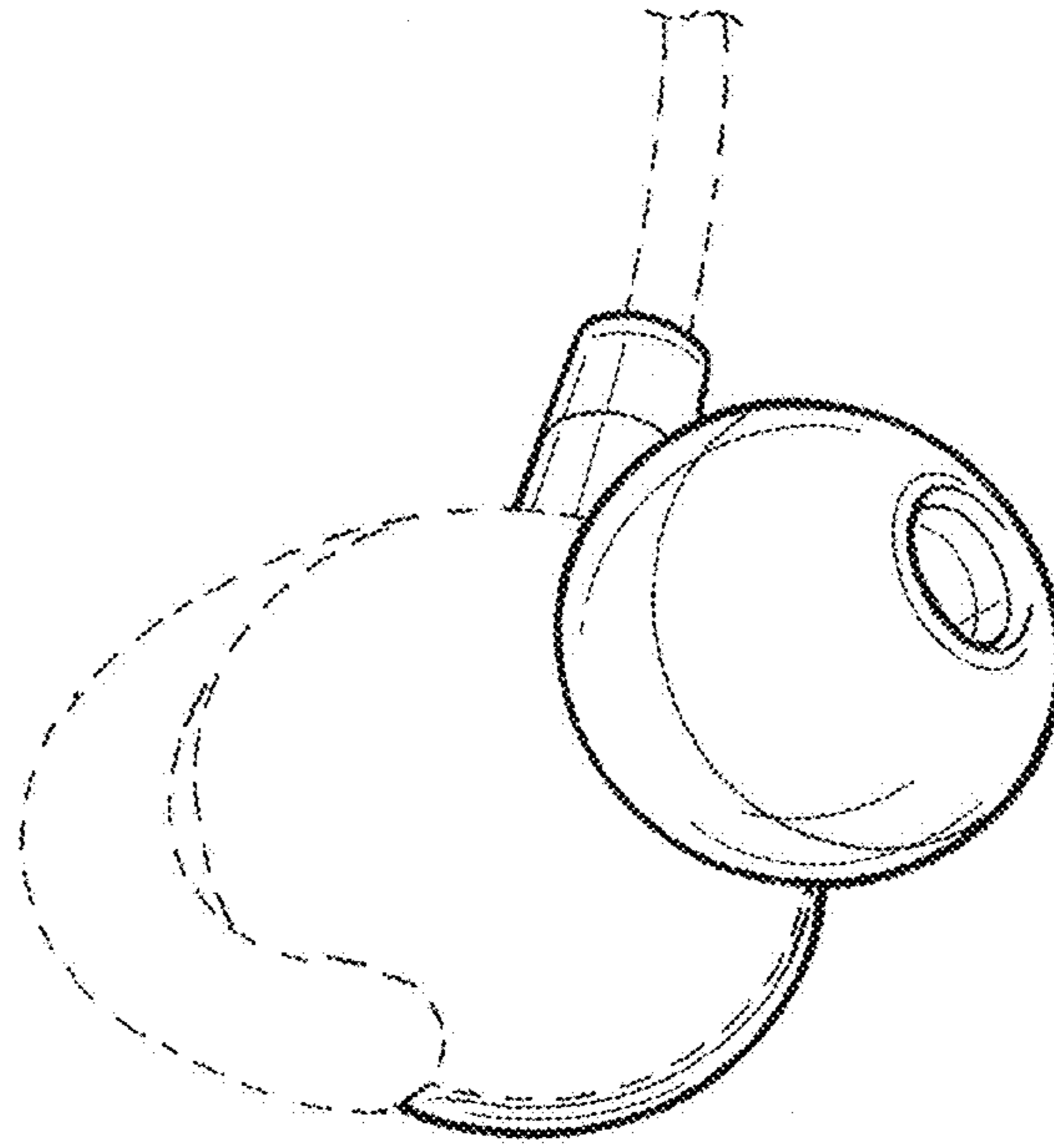


FIG. 7

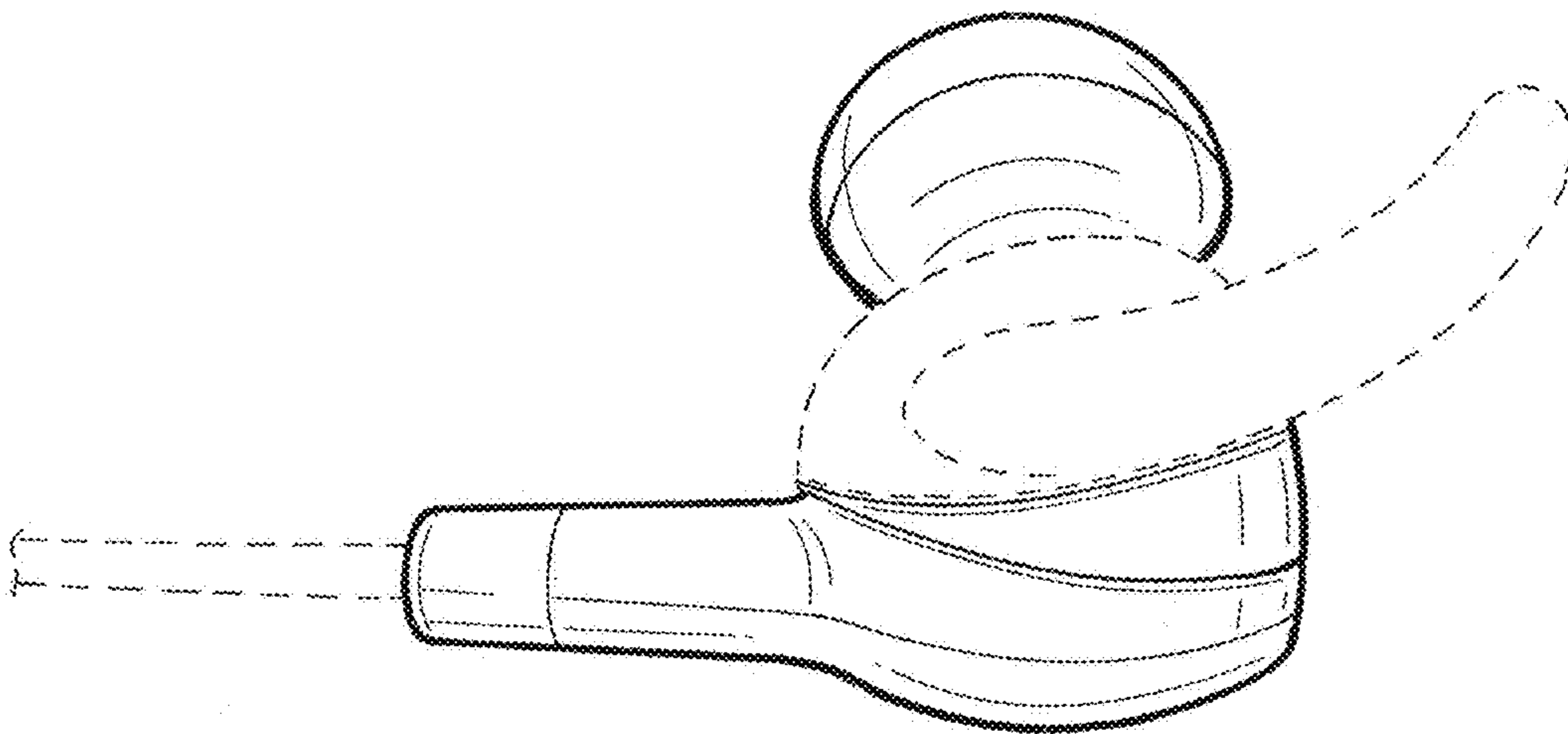


FIG. 8

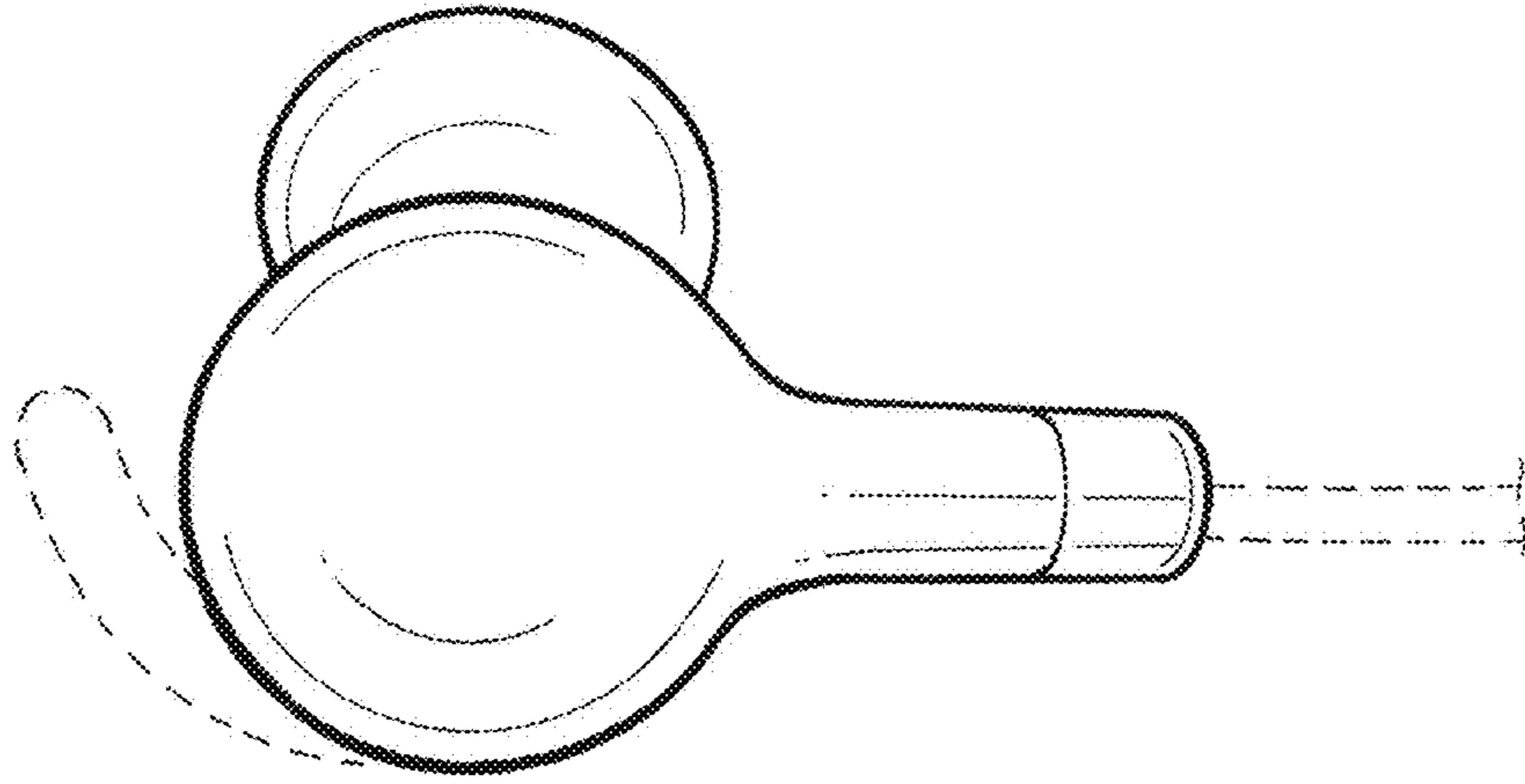


FIG. 9

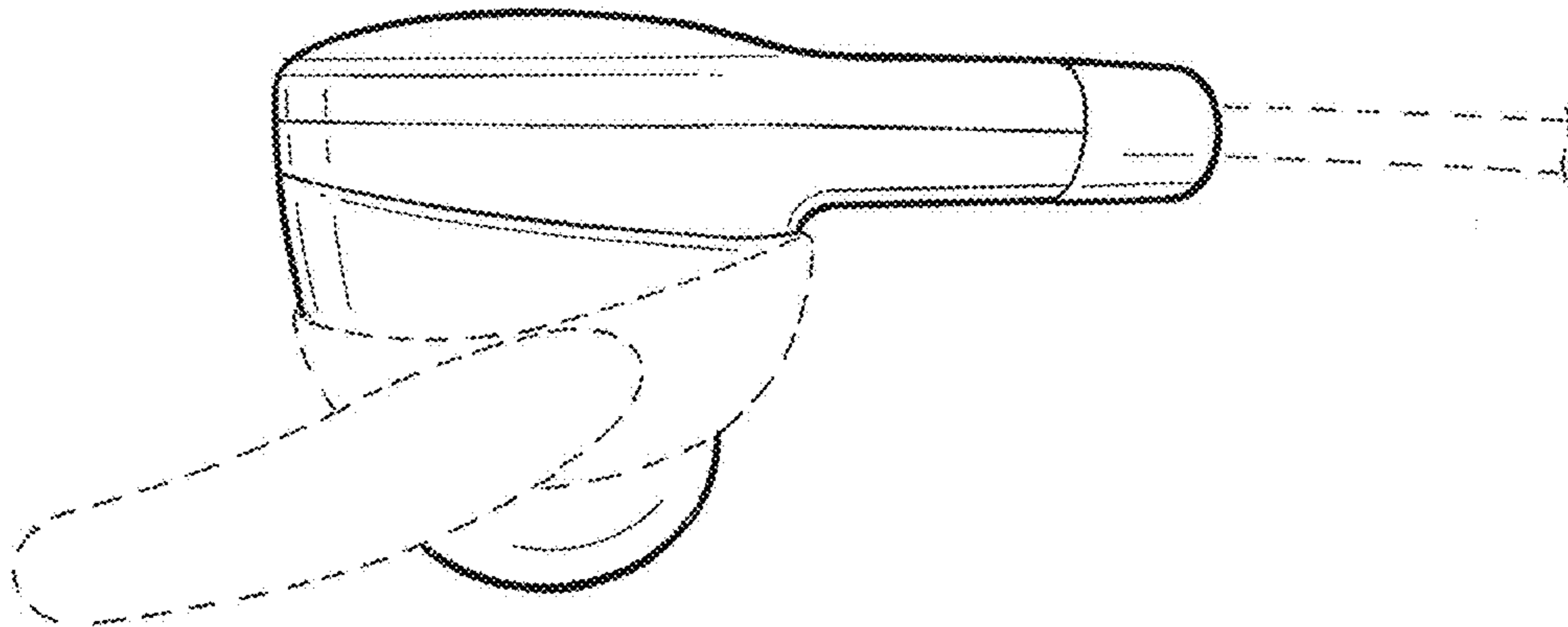


FIG. 10

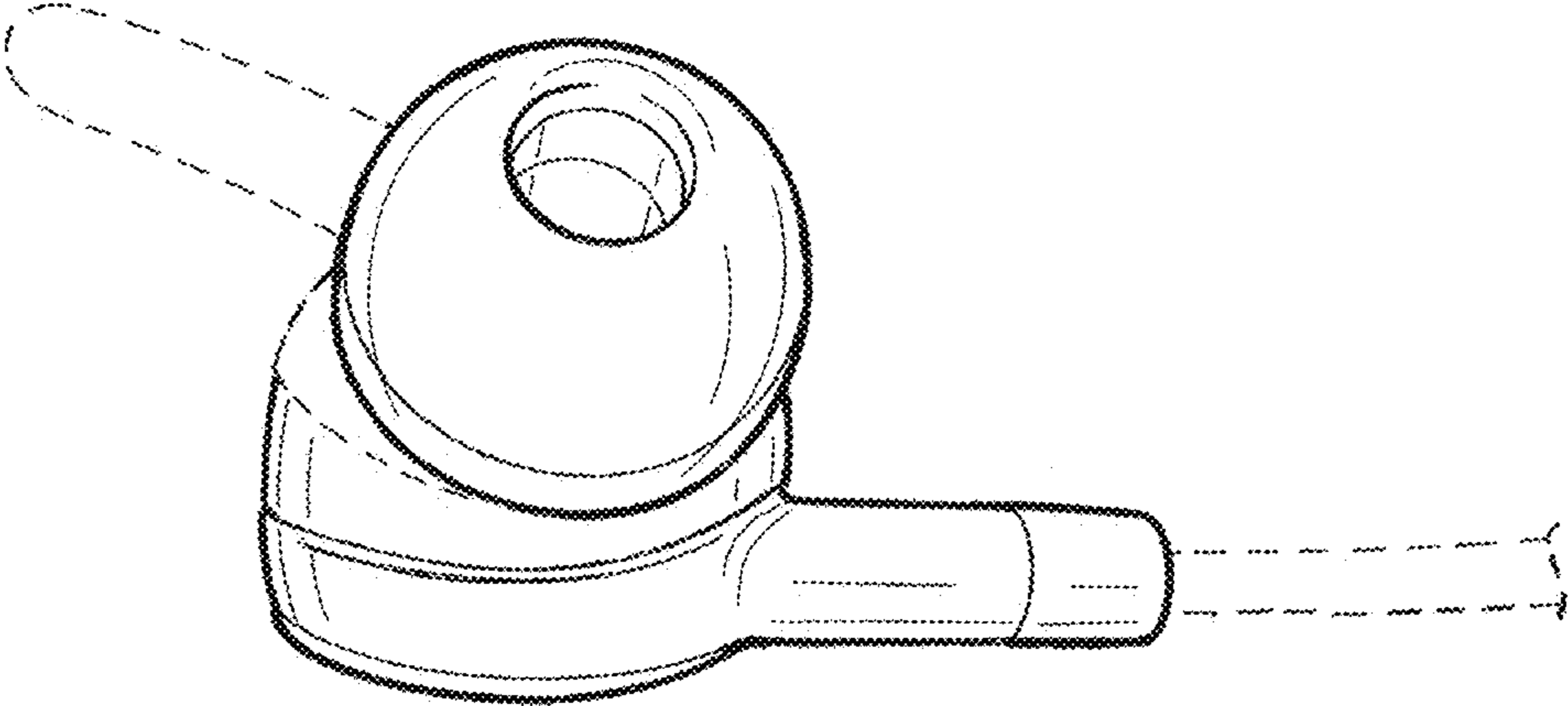


FIG. 11

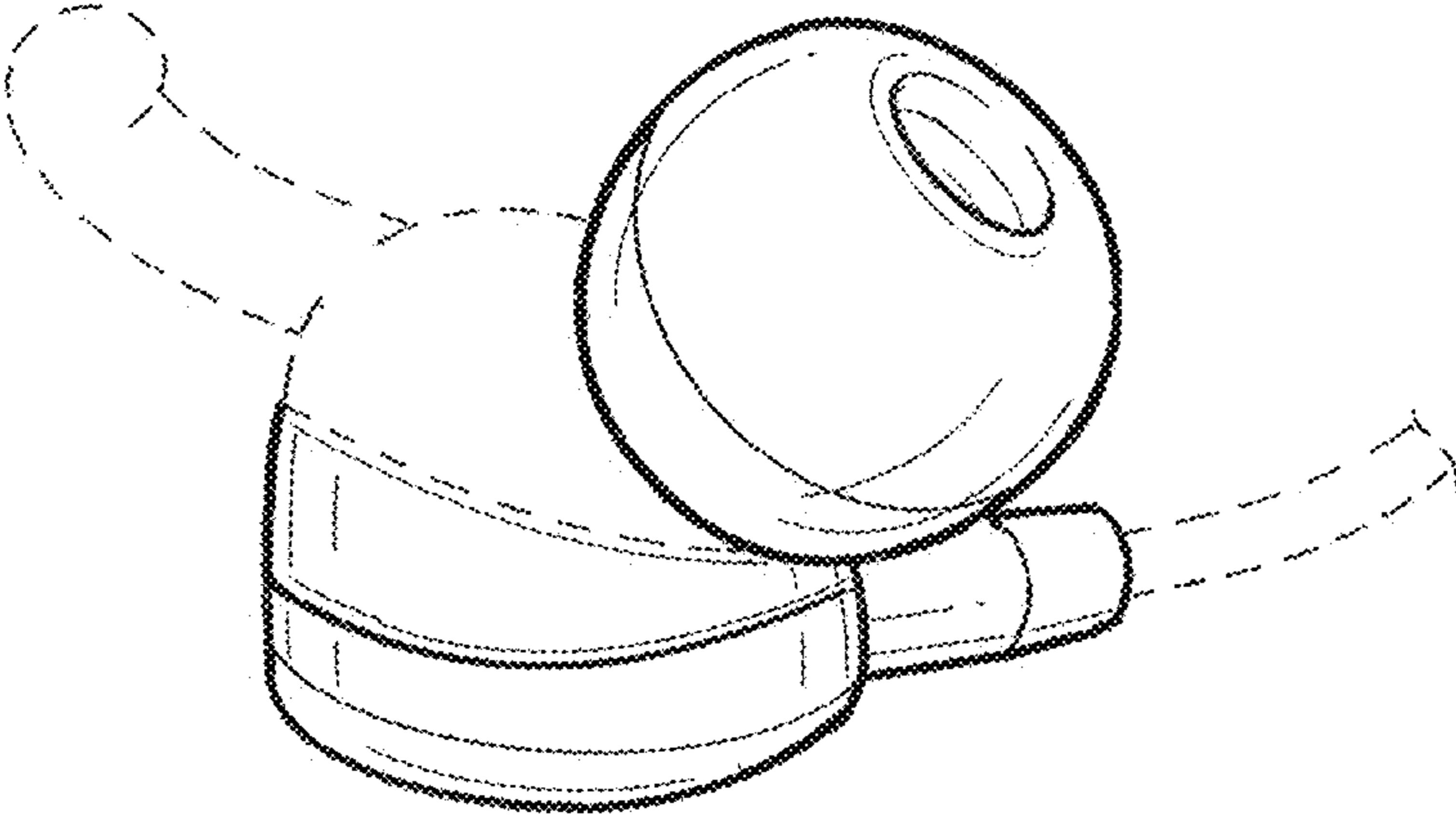


FIG. 12