



US00D821361S

(12) **United States Design Patent**
Shoda et al.

(10) **Patent No.:** **US D821,361 S**

(45) **Date of Patent:** **** Jun. 26, 2018**

(54) **ACTUATOR**

(71) Applicant: **Foster Electric Company, Limited,**
Akishima, Tokyo (JP)

(72) Inventors: **Myogen Shoda, Akishima (JP); Gaku**
Kubota, Akishima (JP)

(73) Assignee: **FOSTER ELECTRIC COMPANY**
LIMITED, Akishima, Tokyo (JP)

(**) Term: **15 Years**

(21) Appl. No.: **29/573,443**

(22) Filed: **Aug. 5, 2016**

(51) **LOC (11) Cl.** **14-01**

(52) **U.S. Cl.**
USPC **D14/221**

(58) **Field of Classification Search**
USPC D14/155, 157, 188, 204, 209.1, 213–214,
D14/217, 221–222, 224, 234, 238, 258,
D14/265
CPC B60R 7/04; B60R 7/043; B60R 11/0217;
B60R 11/0223; B60R 11/02; B60R
2011/0003; H04R 1/02; H04R 1/025;
H04R 5/023; H04R 7/00; H04R 9/04;
H04R 9/02

See application file for complete search history.

(56) **References Cited**

U.S. PATENT DOCUMENTS

1,767,837	A *	6/1930	Davis	H04R 9/04 381/400
D396,723	S *	8/1998	Leibzon	D14/224
6,661,902	B1 *	12/2003	Ziegler	H04R 1/02 181/150
D578,112	S *	10/2008	Naito	D14/224
D582,399	S *	12/2008	Venier	D14/224
D616,422	S *	5/2010	Chen	D14/222
D616,423	S *	5/2010	Chen	D14/222
D619,565	S *	7/2010	Chen	D14/216

D631,379	S *	1/2011	Sutton	D10/106.5
D729,211	S *	5/2015	Huang	D14/222
D741,841	S *	10/2015	Fuller	D14/224
D752,014	S *	3/2016	Bolmstrand	D14/204
D758,989	S *	6/2016	Vogt, Jr.	D14/204
D804,454	S *	12/2017	Katsuno	D14/222
D810,050	S *	2/2018	Uemoto	D14/216
2013/0082546	A1 *	4/2013	Kim	H02K 33/18 310/25
2013/0101136	A1 *	4/2013	McElveen	H04R 3/005 381/92

(Continued)

OTHER PUBLICATIONS

Vibration Actuators, no posting date given [online], retrieved Apr. 12, 2018, retrieved from internet, <http://www.foster-electric.com/products/pdf/vibration_actuators.pdf>.*

Primary Examiner — Barbara Fox

Assistant Examiner — Messina L Smith

(74) *Attorney, Agent, or Firm* — Allen Dyer Doppelt & Gilchrist

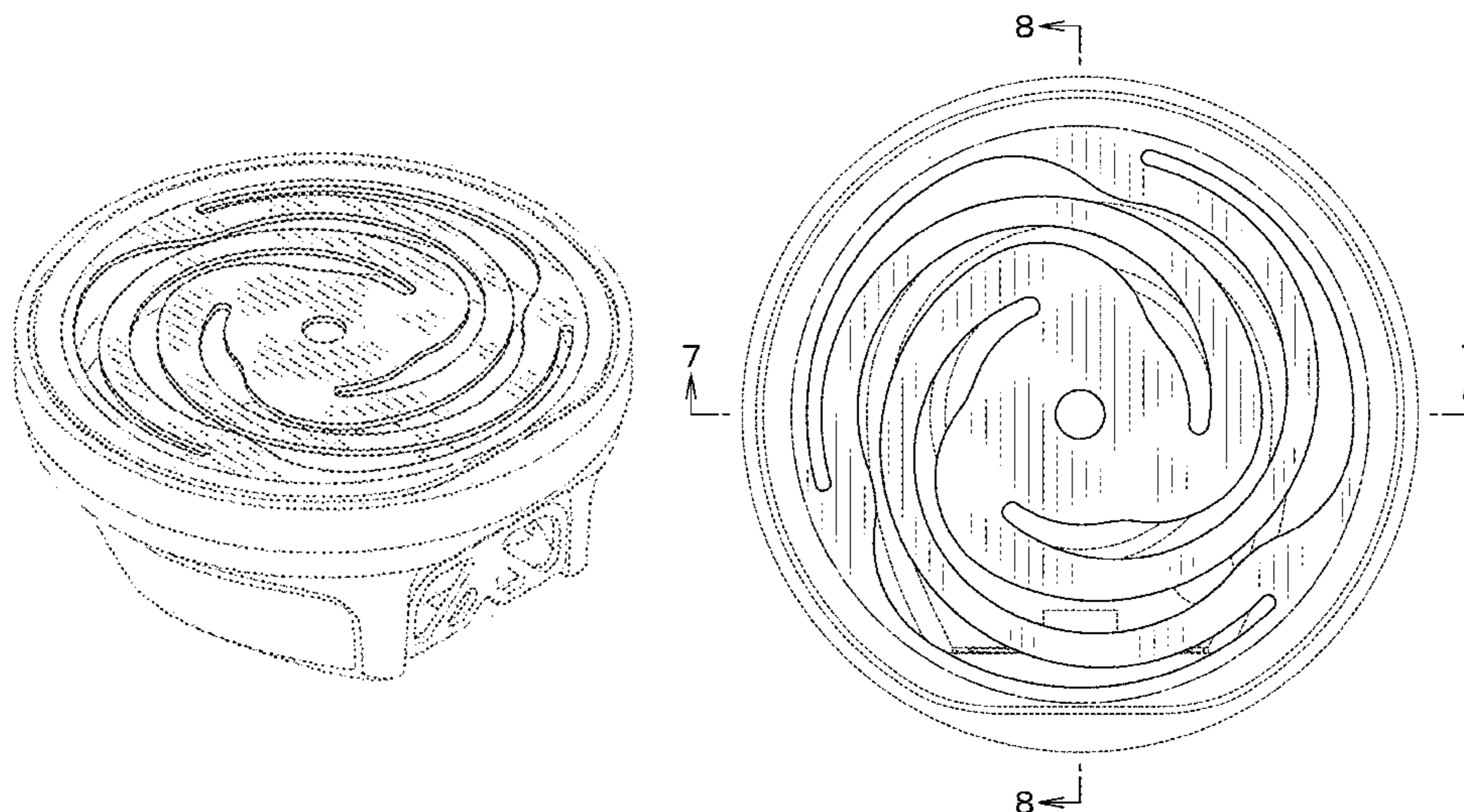
(57) **CLAIM**

The ornamental design for an actuator, as shown described.

DESCRIPTION

FIG. 1 is a front, bottom, right side, perspective view of an actuator, showing the new design;
FIG. 2 is a front view of the design of FIG. 1;
FIG. 3 is a rear view of the design of FIG. 1;
FIG. 4 is a left side view of the design of FIG. 1; the right side view being a mirror image thereof;
FIG. 5 is a top view of the design of FIG. 1;
FIG. 6 is a bottom view of the design of FIG. 1;
FIG. 7 is a sectional view taken along line 7-7 of FIG. 2; and,
FIG. 8 is a sectional view taken along line 8-8 of FIG. 2.
The broken lines in the drawings depict portions of the actuator that form no part of the claimed design.

1 Claim, 6 Drawing Sheets



(56)

References Cited

U.S. PATENT DOCUMENTS

2014/0029772 A1* 1/2014 Kumagai B06B 1/045
381/162
2014/0313040 A1* 10/2014 Wright, Sr. G08B 17/10
340/628
2016/0295308 A1* 10/2016 Battyanyi H04R 1/028

* cited by examiner

FIG.1

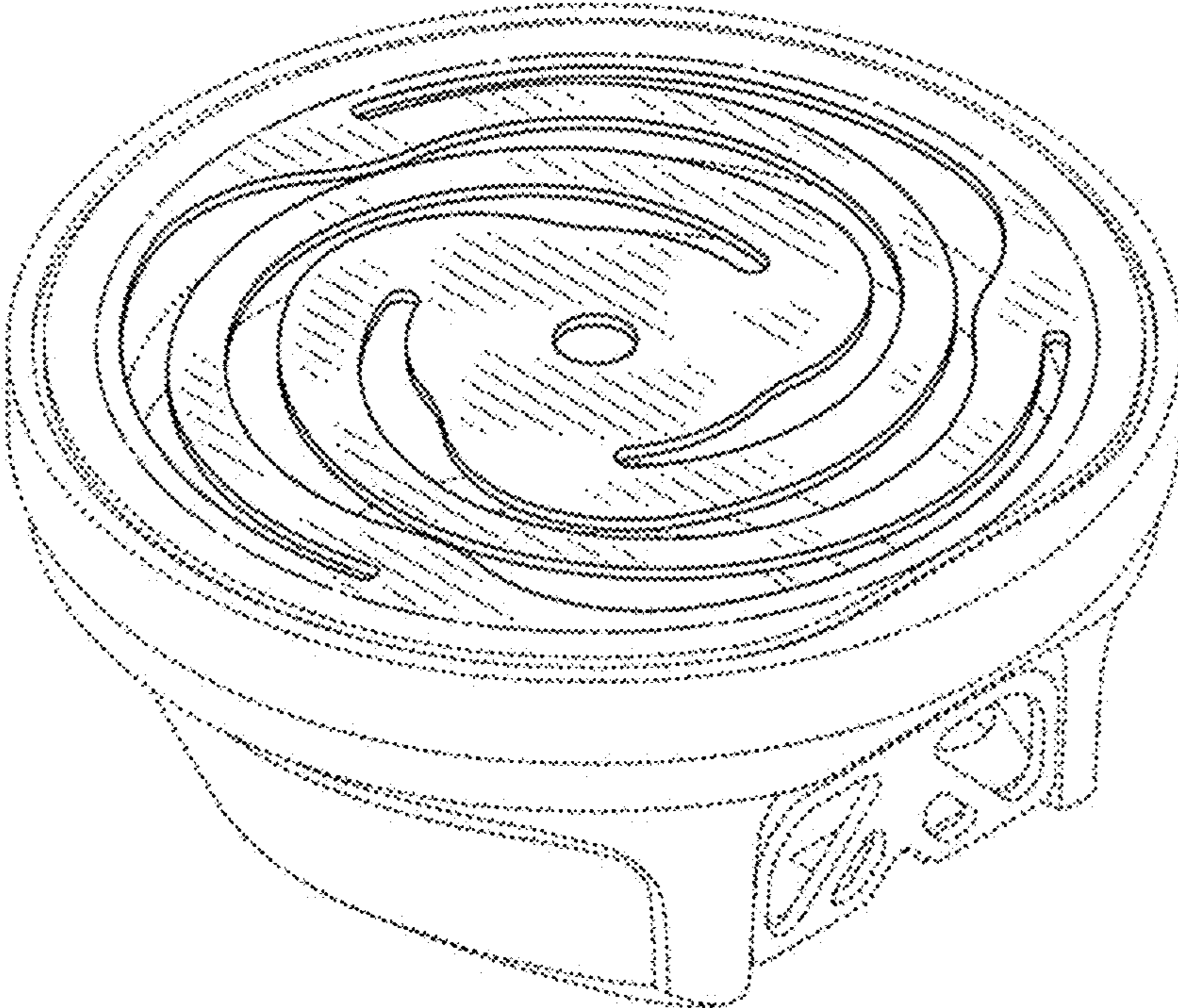


FIG.2

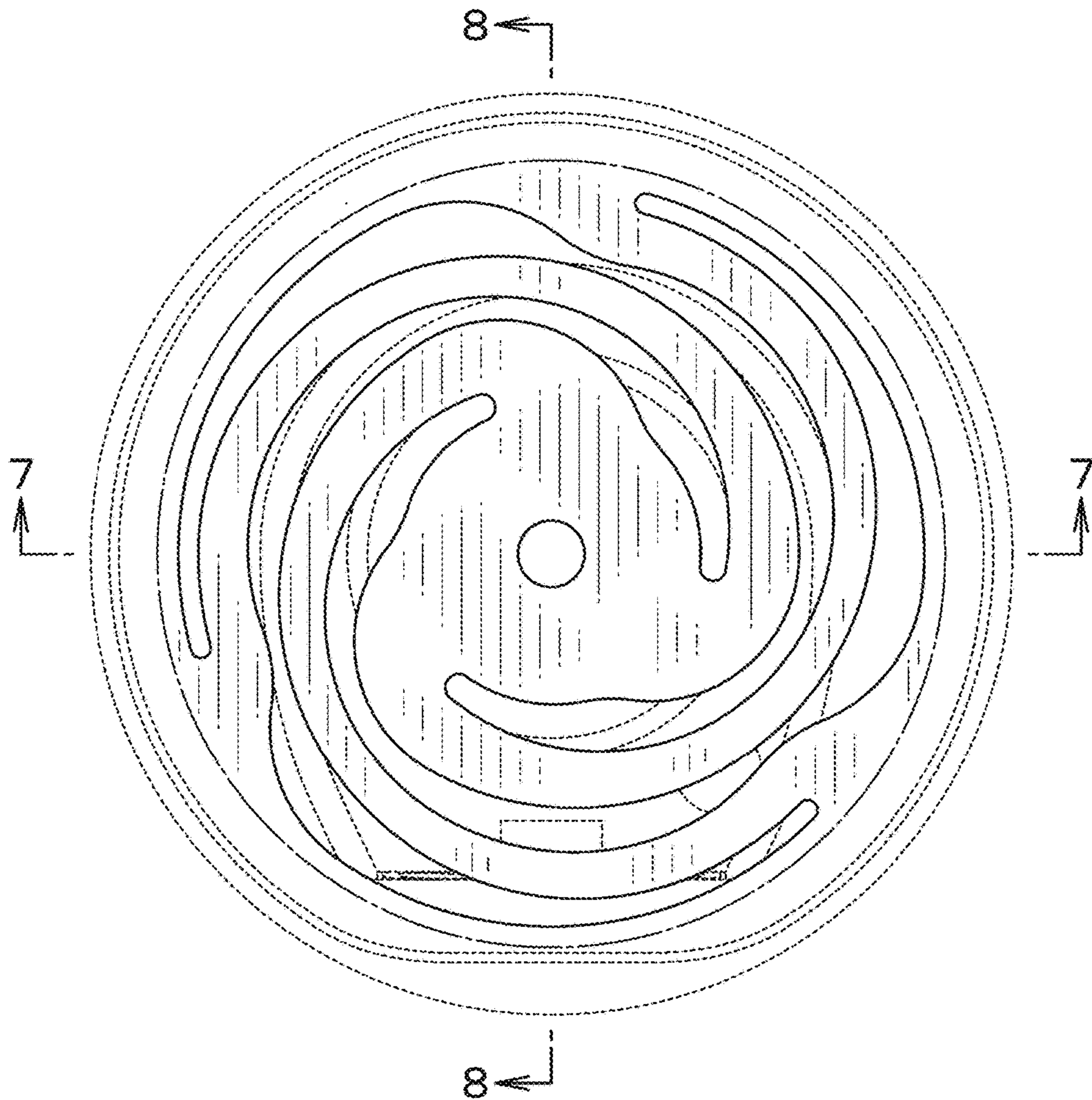


FIG.3

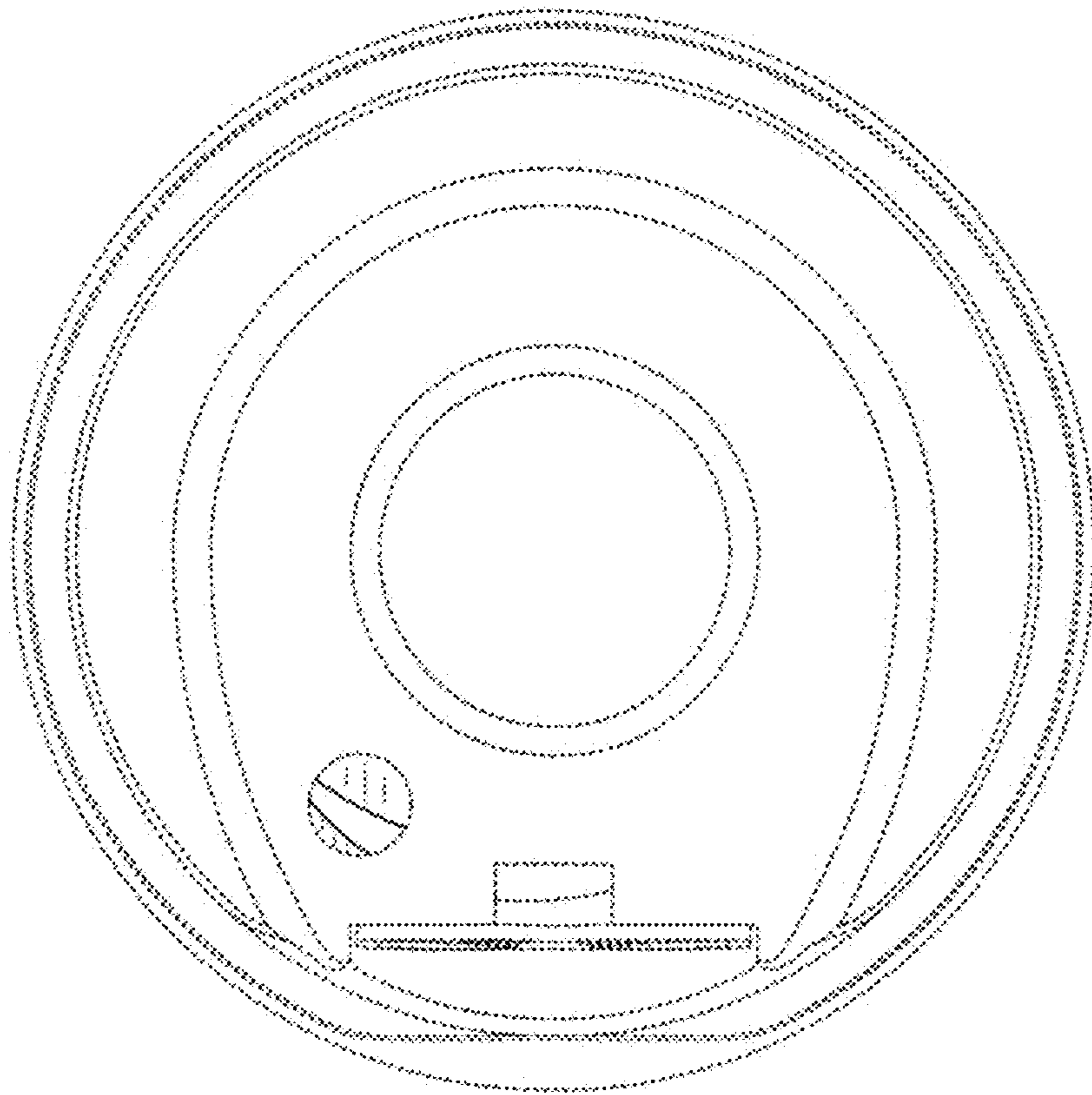


FIG.4

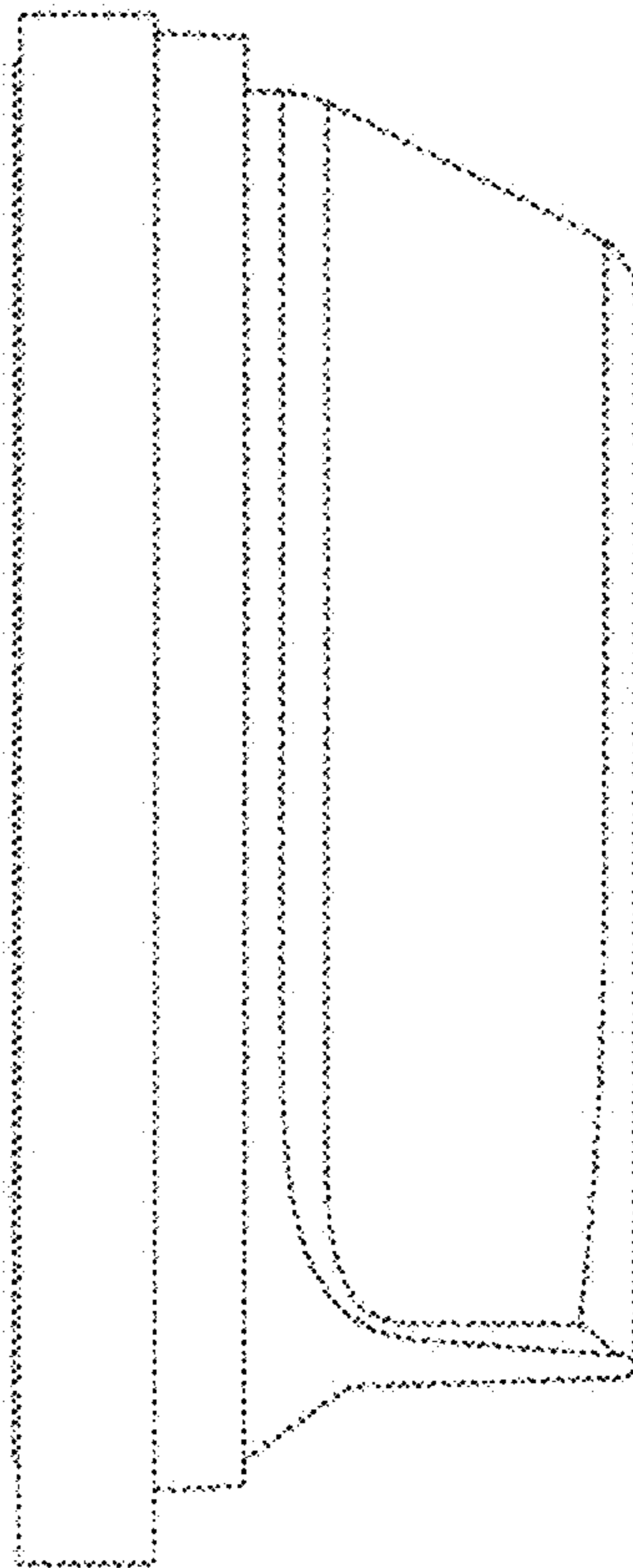


FIG.5

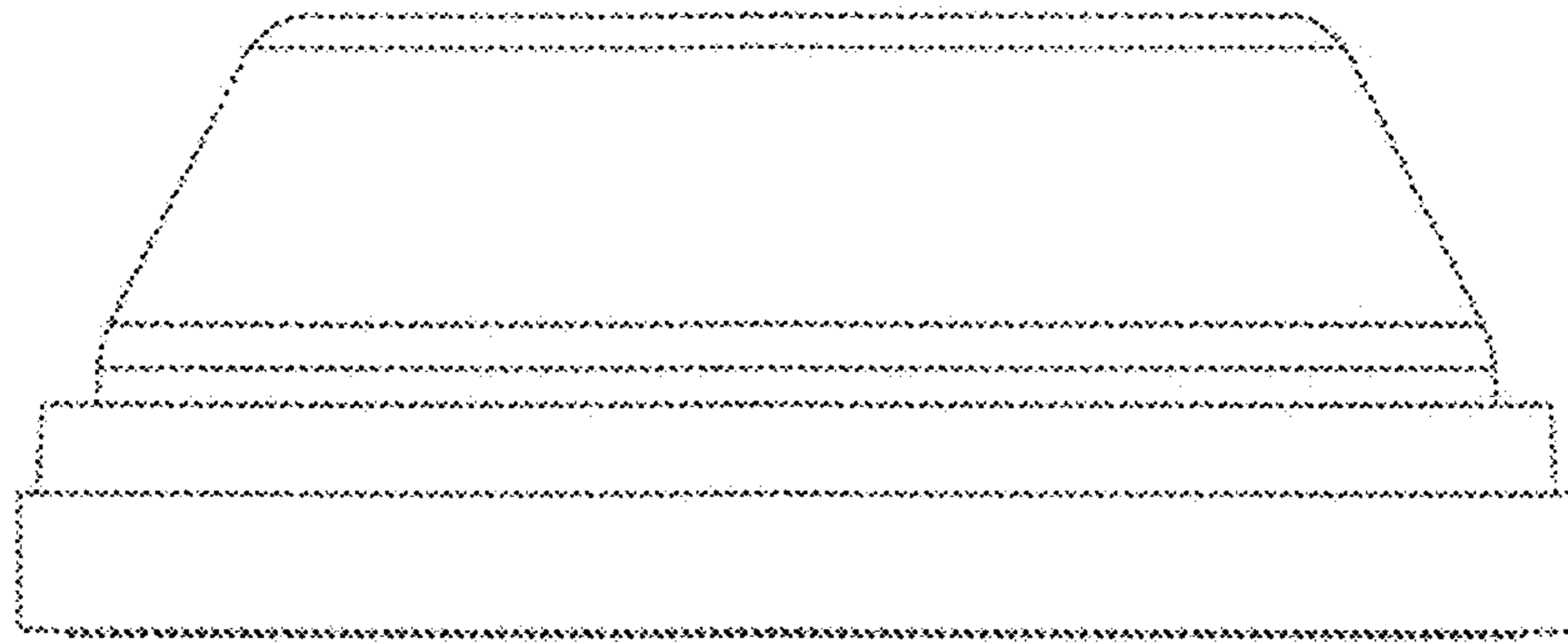


FIG.6

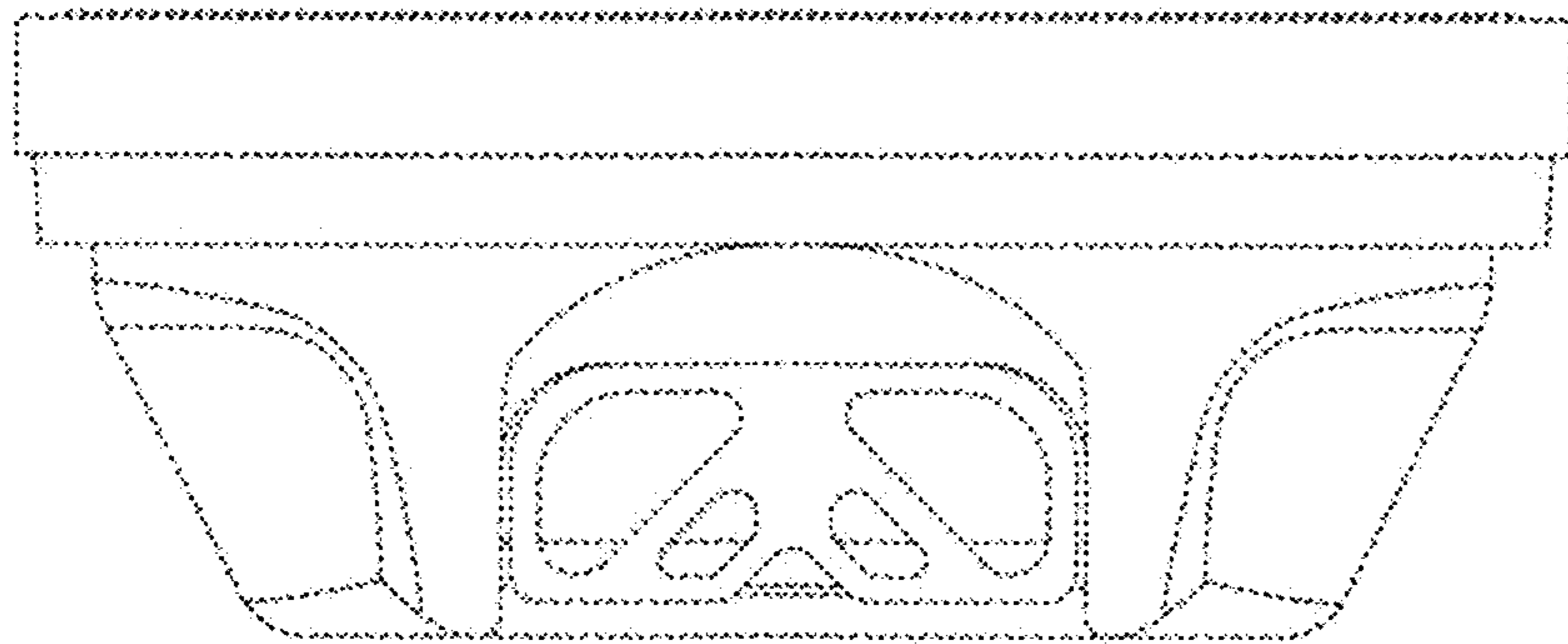


FIG. 7

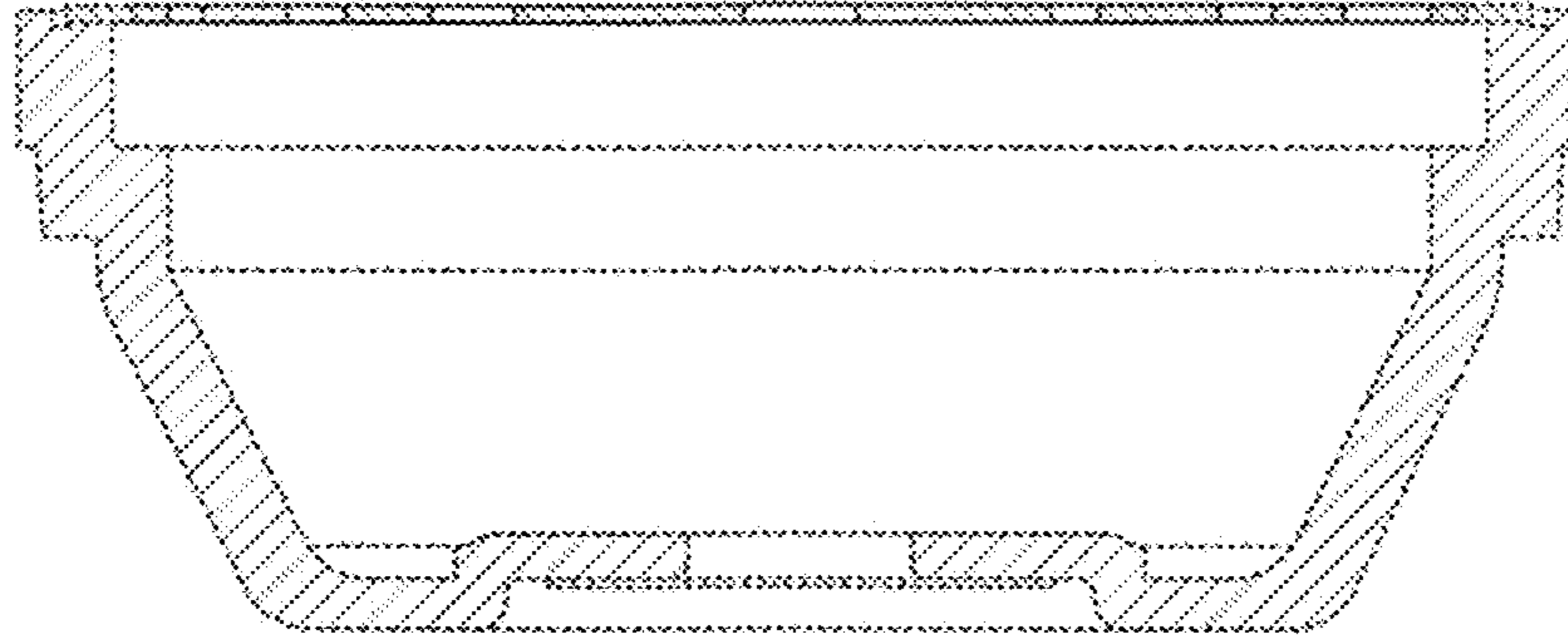


FIG. 8

