



US00D821360S

(12) **United States Design Patent** (10) **Patent No.:** **US D821,360 S**
Moro (45) **Date of Patent:** **** Jun. 26, 2018**

(54) **LOUDSPEAKER FRONT FACE**
(71) Applicant: **Harman International Industries, Incorporated**, Northridge, CA (US)
(72) Inventor: **Jerry Moro**, Moorpark, CA (US)
(73) Assignee: **Harman International Industries, Incorporated**, Northridge, CA (US)

D439,238 S * 3/2001 Mackie D14/214
D450,683 S * 11/2001 Vosse D14/215
D452,964 S * 1/2002 Vosse D14/204
D484,115 S * 12/2003 Nishii D14/215
D502,168 S * 2/2005 Hill D14/204
D519,105 S * 4/2006 Masui D14/214
D527,373 S * 8/2006 Takei D14/214
D544,466 S * 6/2007 Pincek D14/214
D587,676 S * 3/2009 Alberdi Alorda D14/188
D589,937 S * 4/2009 Wada D14/211

(Continued)

(**) Term: **15 Years**
(21) Appl. No.: **29/559,015**
(22) Filed: **Mar. 23, 2016**

OTHER PUBLICATIONS

Harman's JBL Professional 3 Series Sets the Standard for Performance and Price in Studio Monitor Category, released Dec. 17, 2013, site visited Nov. 7, 2017, <<http://www.jblpro.com/www/news/news-detail/2013/12/18/harman-s-jbl-professional-3-series-sets-the-standard-for-performance-and-price-in-studio-monitor-category>>.*

(Continued)

Related U.S. Application Data

(63) Continuation of application No. 29/536,849, filed on Aug. 19, 2015.
(51) **LOC (11) Cl.** **14-01**
(52) **U.S. Cl.**
USPC **D14/221**; D14/214
(58) **Field of Classification Search**
USPC D14/188, 194-196, 204, 210-216, 219, D14/221-222
CPC H04R 1/10; H04R 1/1066; H04R 1/1016; H04R 1/105; H04R 25/00; H04R 5/033; H04R 5/0335; H04R 1/1091; H04R 1/1058; H04R 25/02; H04R 1/02; H04R 5/00

See application file for complete search history.

Primary Examiner — Cathron C Brooks
Assistant Examiner — Sharon S Oum
(74) *Attorney, Agent, or Firm* — Plumsea Law Group, LLC

(57) **CLAIM**

The ornamental design for a loudspeaker front face, as shown and described.

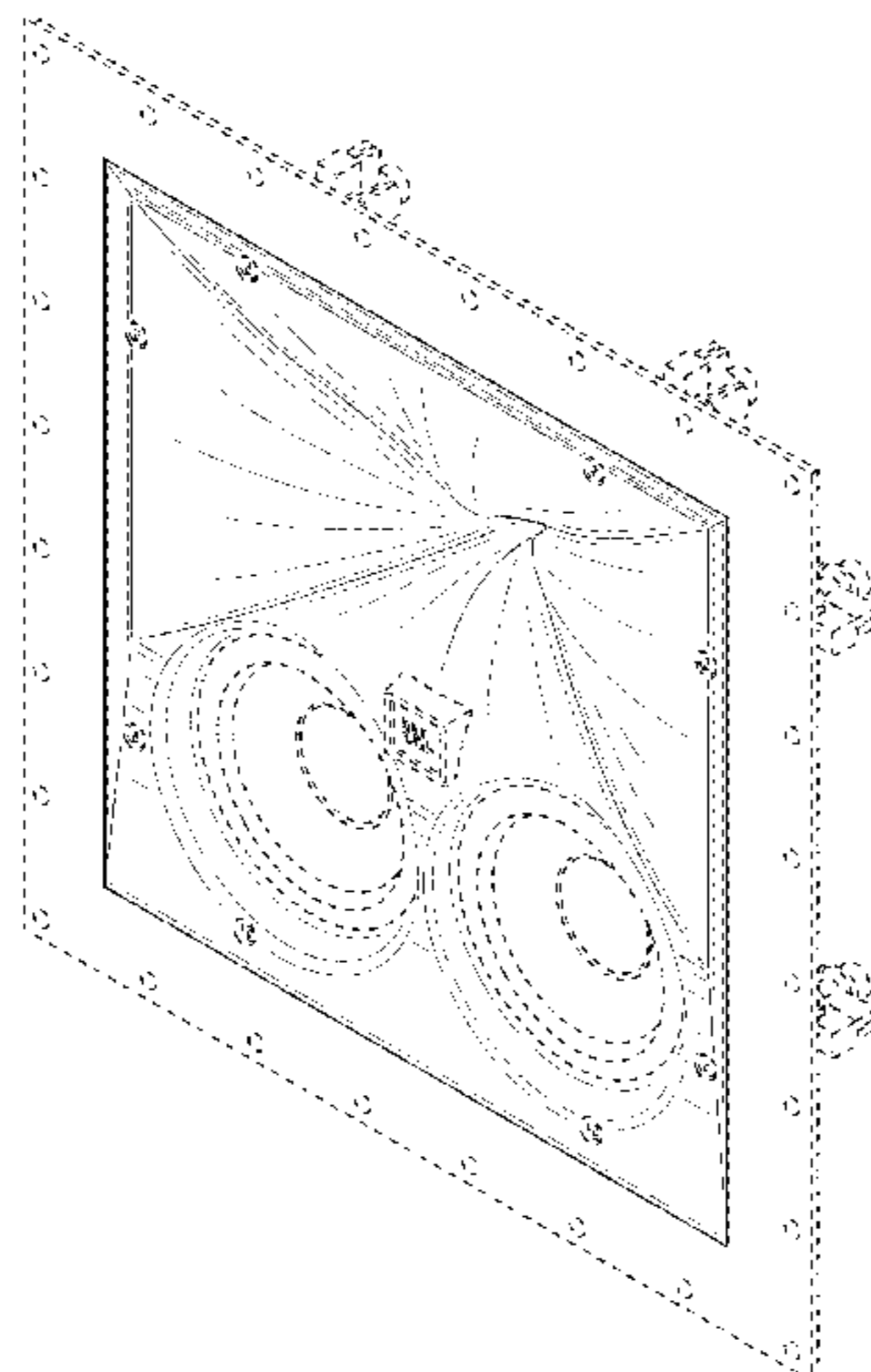
DESCRIPTION

FIG. 1 is a perspective view of a loudspeaker front face; FIG. 2 is a front elevational view thereof; FIG. 3 is another perspective view thereof, but with the logo part shown in a detached position; FIG. 4 is a perspective sectional view thereof viewed along line 4-4 in FIG. 2; and, FIG. 5 is a perspective sectional view thereof viewed along line 5-5 in FIG. 2. The broken lines illustrate portions of the loudspeaker front face that form no part of the claimed design.

1 Claim, 5 Drawing Sheets

(56) **References Cited**
U.S. PATENT DOCUMENTS

3,313,018 A * 4/1967 Tibbetts B21D 53/00 156/155
D264,841 S * 6/1982 Pickrel D14/204
D271,967 S * 12/1983 Meyer D14/214
5,400,413 A * 3/1995 Kindel H04R 1/023 181/199
D379,629 S * 6/1997 Watson D14/214
D393,860 S * 4/1998 Watson D14/214
D398,008 S * 9/1998 Yamakawa D14/214



(56)

References Cited

U.S. PATENT DOCUMENTS

D598,897 S * 8/2009 Arneson D14/214
D599,325 S * 9/2009 Arneson D14/204
D609,217 S * 2/2010 Manini D14/214
D618,214 S * 6/2010 Wang D14/209.1
7,936,892 B2 * 5/2011 Werner H04R 1/345
181/177
D658,162 S * 4/2012 DeVuono D14/222
D670,266 S * 11/2012 Swendseid D14/204
8,325,943 B2 * 12/2012 Button H04R 9/025
381/117
D704,680 S * 5/2014 Riemersma D14/222
D724,569 S * 3/2015 Sprinkle D14/222
D759,631 S * 6/2016 Espinosa D14/215
D760,191 S * 6/2016 Nugent D14/214
D760,696 S * 7/2016 Espinosa D14/215
D775,107 S * 12/2016 Green D14/221
D783,570 S * 4/2017 Sprinkle D14/204
D788,069 S * 5/2017 Pineau D14/204
D796,472 S * 9/2017 Sprinkle D14/204
D800,696 S * 10/2017 Tubis D14/214
2003/0002702 A1 * 1/2003 Cox H04R 1/025
381/340
2011/0305362 A1 * 12/2011 McGhee H04R 1/02
381/386
2017/0055067 A1 * 2/2017 Moro H04R 1/2861

OTHER PUBLICATIONS

Alto Professional TX8, date first available Jul. 25, 2014, site visited
Nov. 7, 2017, Copyright © 1996-2017, Available from Internet,
<[https://www.amazon.com/dp/B00M3KUXWU/
ref=sspa_dk_detail_6?psc=1](https://www.amazon.com/dp/B00M3KUXWU/ref=sspa_dk_detail_6?psc=1)>.*

* cited by examiner

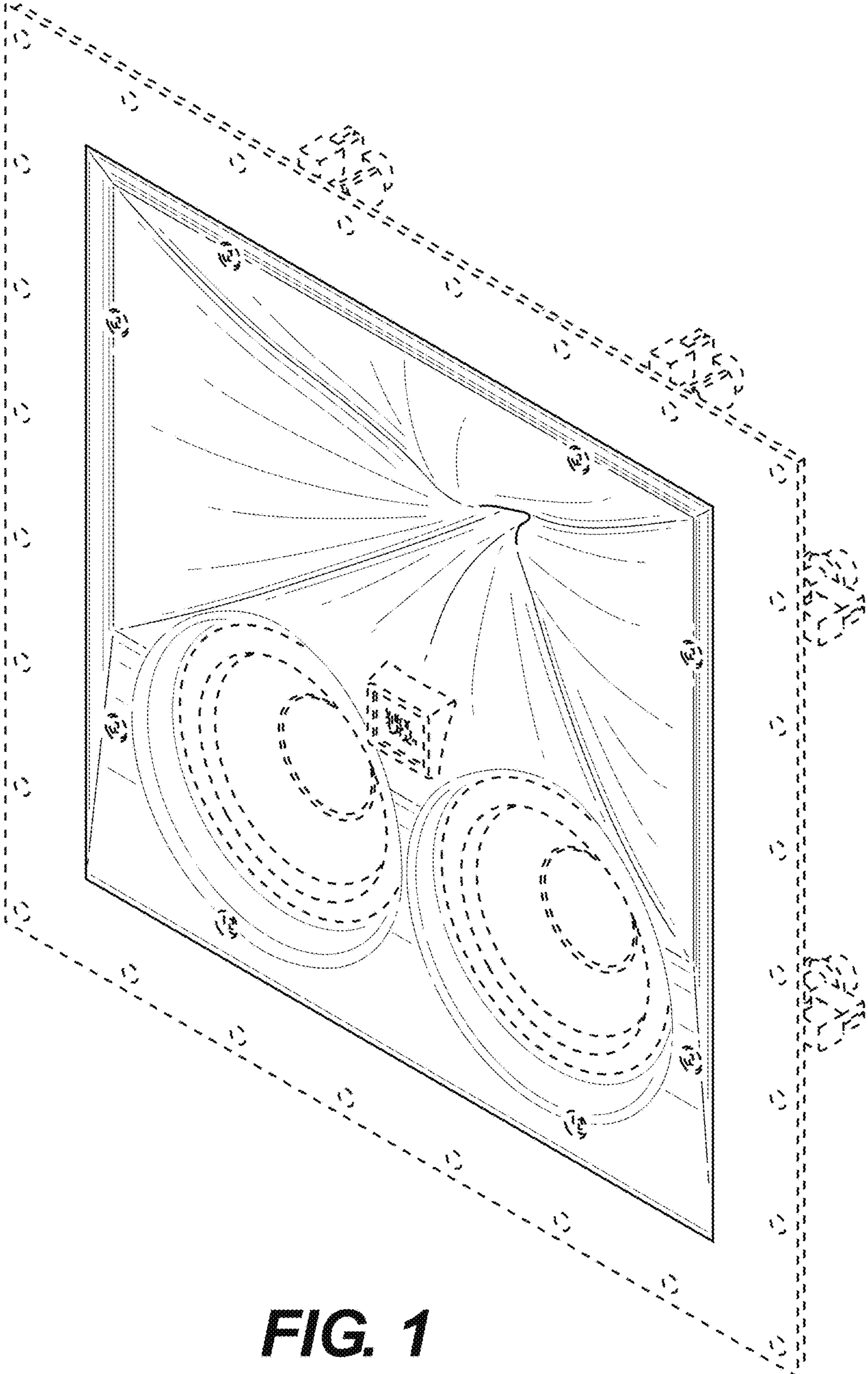


FIG. 1

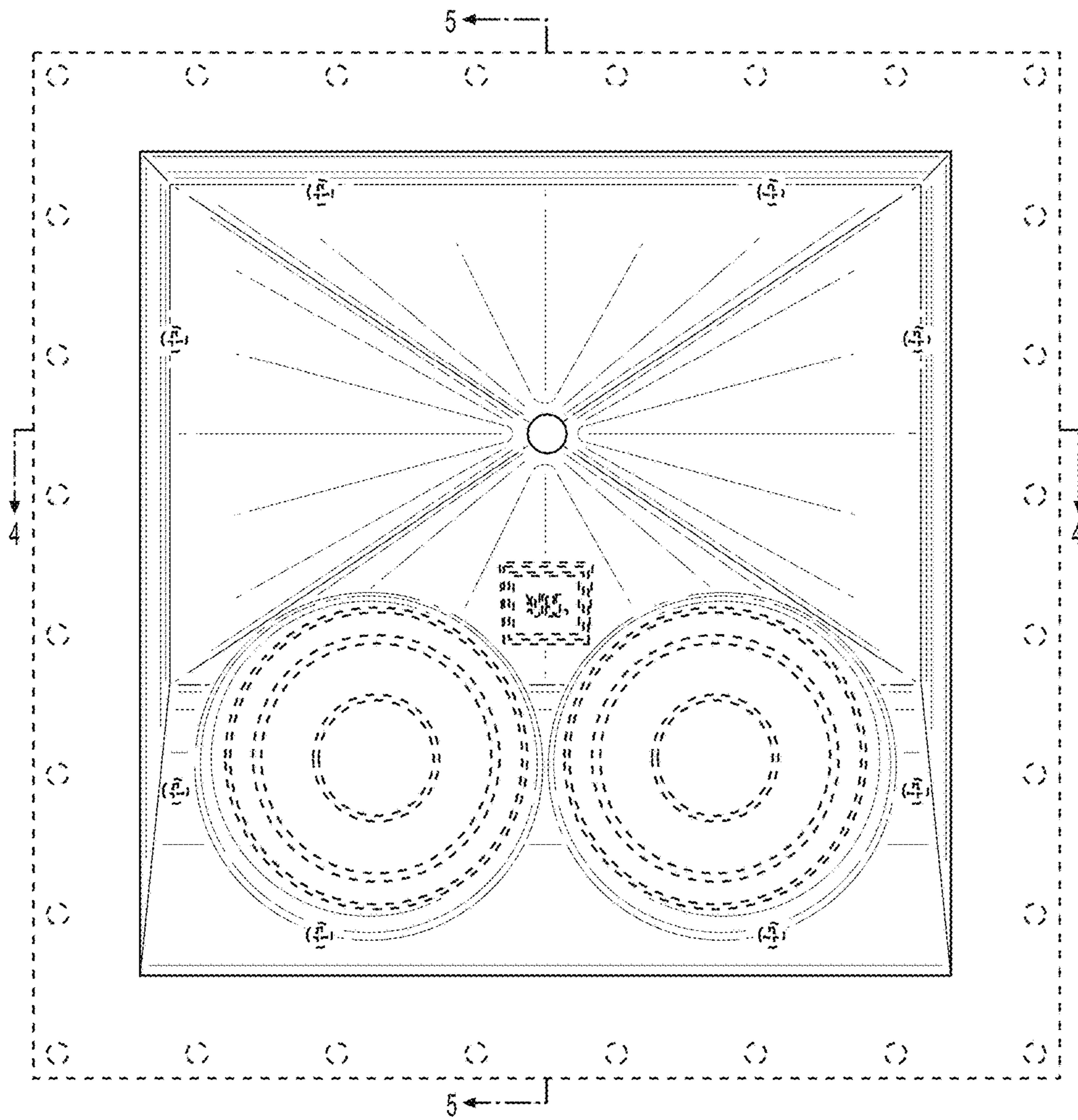


FIG. 2

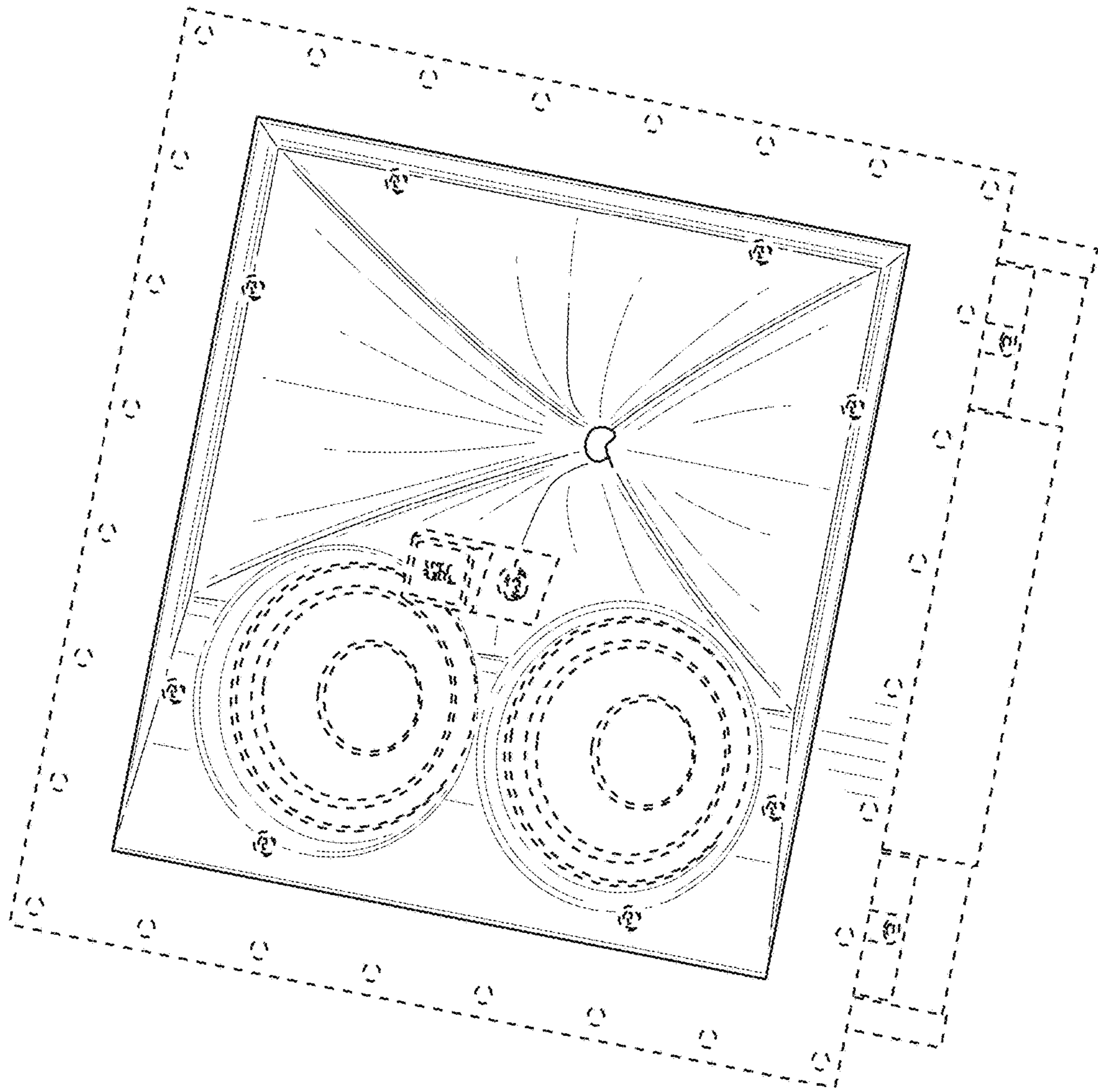


FIG. 3

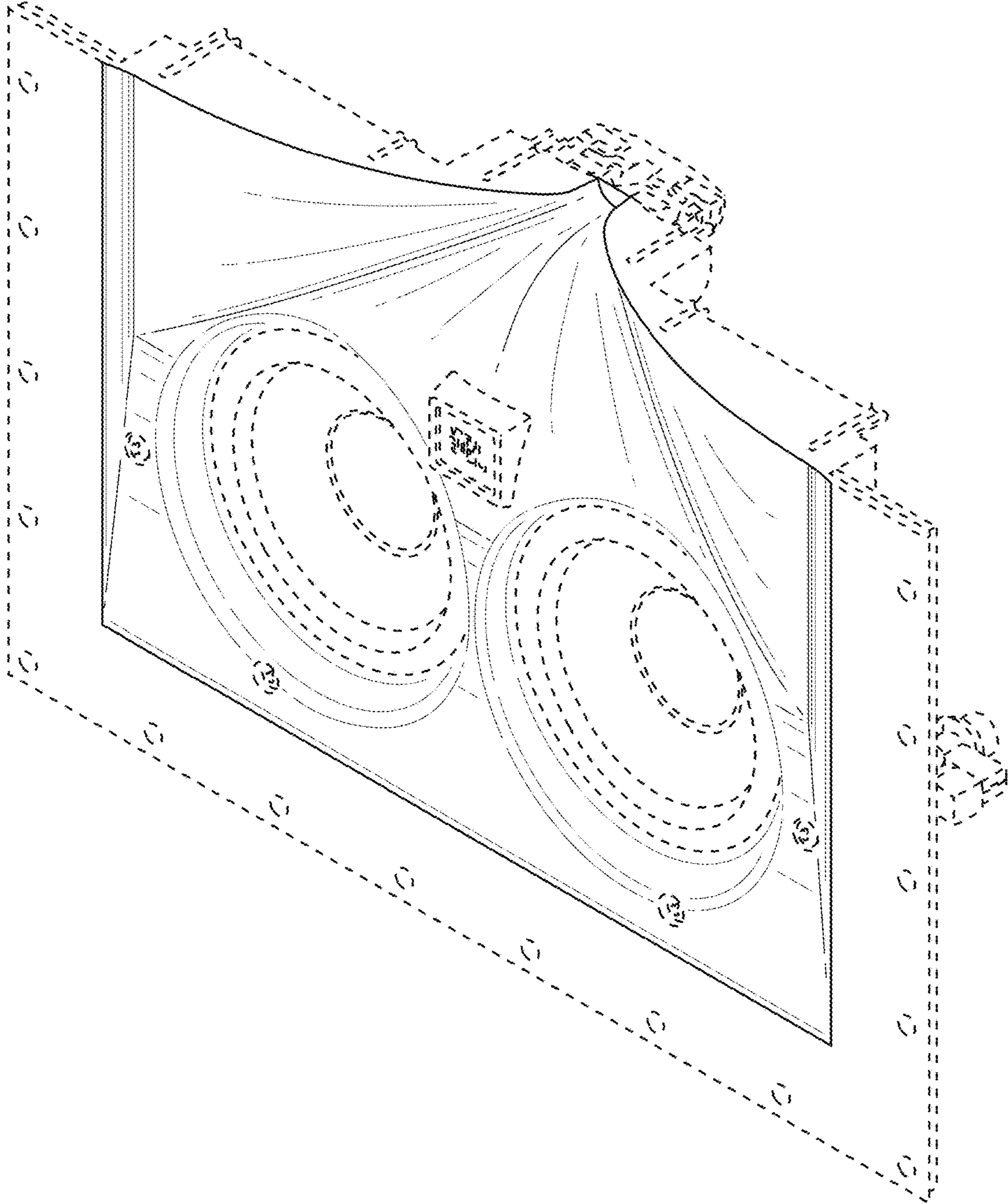


FIG. 4

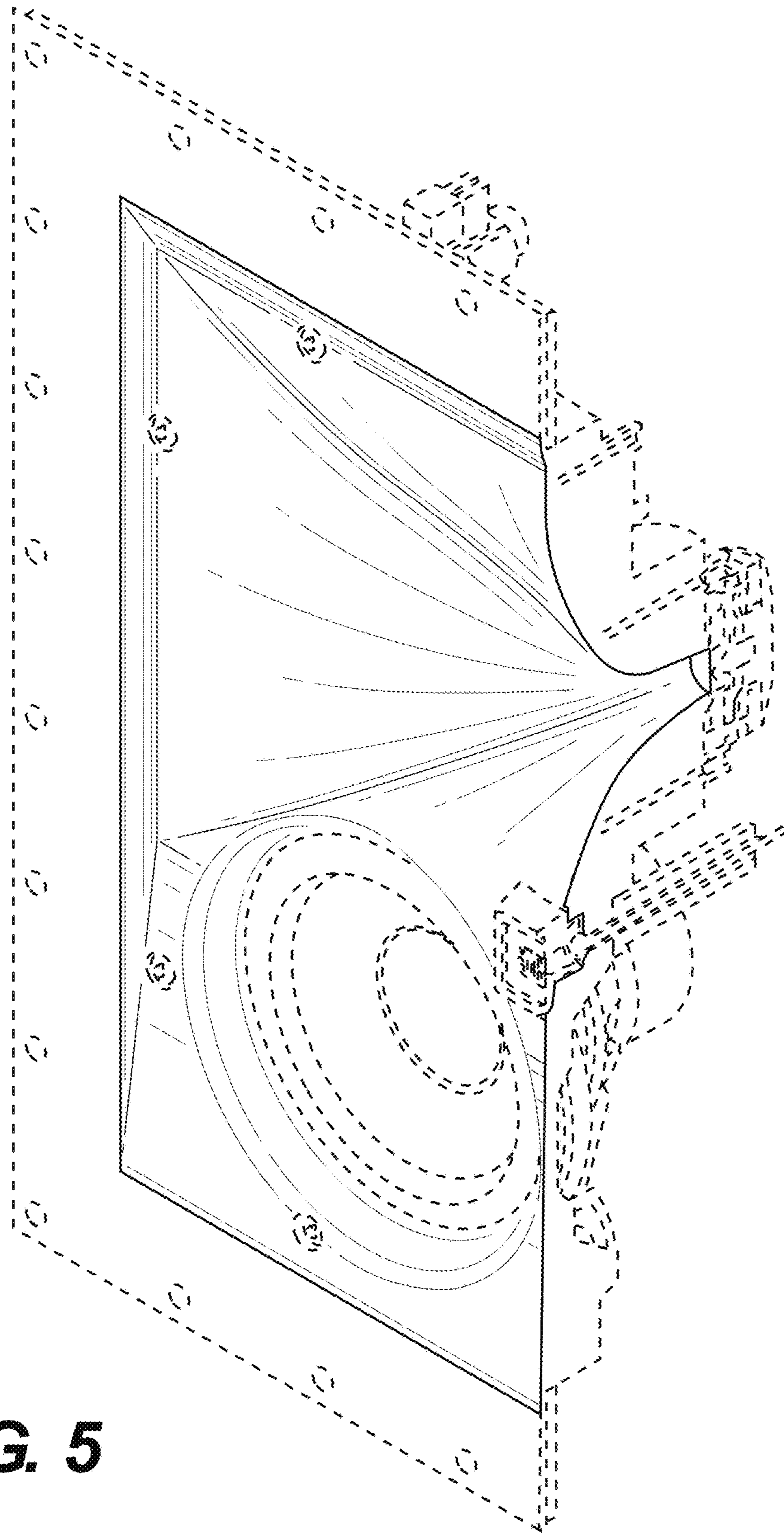


FIG. 5