



US00D821358S

(12) **United States Design Patent** (10) **Patent No.:** **US D821,358 S**  
**Garfio et al.** (45) **Date of Patent:** **\*\* Jun. 26, 2018**

(54) **PORTABLE SPEAKER**  
(71) Applicant: **Fugoo Corporation**, Irvine, CA (US)  
(72) Inventors: **Alejandro Garfio**, West Covina, CA (US); **Ho Koon Yau**, Yorba Linda, CA (US); **Kit Mok**, Lakewood, CA (US); **Howard Shi-How Cheng**, Irvine, CA (US)  
(73) Assignee: **FUGOO CORPORATION**, Irvine, CA (US)  
(\*\*) Term: **15 Years**  
(21) Appl. No.: **29/560,068**  
(22) Filed: **Apr. 1, 2016**

**Related U.S. Application Data**

(62) Division of application No. 29/476,073, filed on Dec. 10, 2013, now Pat. No. Des. 753,093.  
(51) **LOC (11) Cl.** ..... **14-03**  
(52) **U.S. Cl.**  
USPC ..... **D14/214**  
(58) **Field of Classification Search**  
USPC ..... D14/167, 168, 170-172, 188, 194-196, D14/204, 207, 209.1, 210-216, 219, 221, D14/222, 224, 496; 181/143, 144, 147, 181/148, 150, 153, 157, 198, 199; 381/300-303, 306, 332, 333, 336, 345, 381/361-364, 386-388; 369/6-12  
CPC .... B60R 11/0217; G06F 1/1688; H04M 1/03; H04M 1/035; H04R 1/02; H04R 1/06; H04R 1/021; H04R 1/025; H04R 1/026; H04R 1/028; H04R 1/105; H04R 1/323; H04R 1/403; H04R 1/2803; H04R 1/2834; H04R 5/02; H04R 7/20; H04R 9/06; H04R 9/025; H04R 2201/021; H04R 2400/00; H04R 2400/07; H04R 2499/11; H04R

(Continued)

(56) **References Cited**  
U.S. PATENT DOCUMENTS

D223,580 S 5/1972 Richards  
6,035,962 A 3/2000 Lin  
(Continued)

FOREIGN PATENT DOCUMENTS

JP 1408180 S 1/2011  
JP 1452612 S 9/2012  
WO WO 2007/100706 9/2007

OTHER PUBLICATIONS

Libratone Live Wireless Airplay Speakers, <https://shop.libratone.com/en-us/wireless-airplay-speakers/libratone-live/c-54/c-288/p-207/>, retrieved on Jan. 6, 2014.

(Continued)

*Primary Examiner* — Keli L Hill

(74) *Attorney, Agent, or Firm* — Knobbe, Martens, Olson & Bear LLP

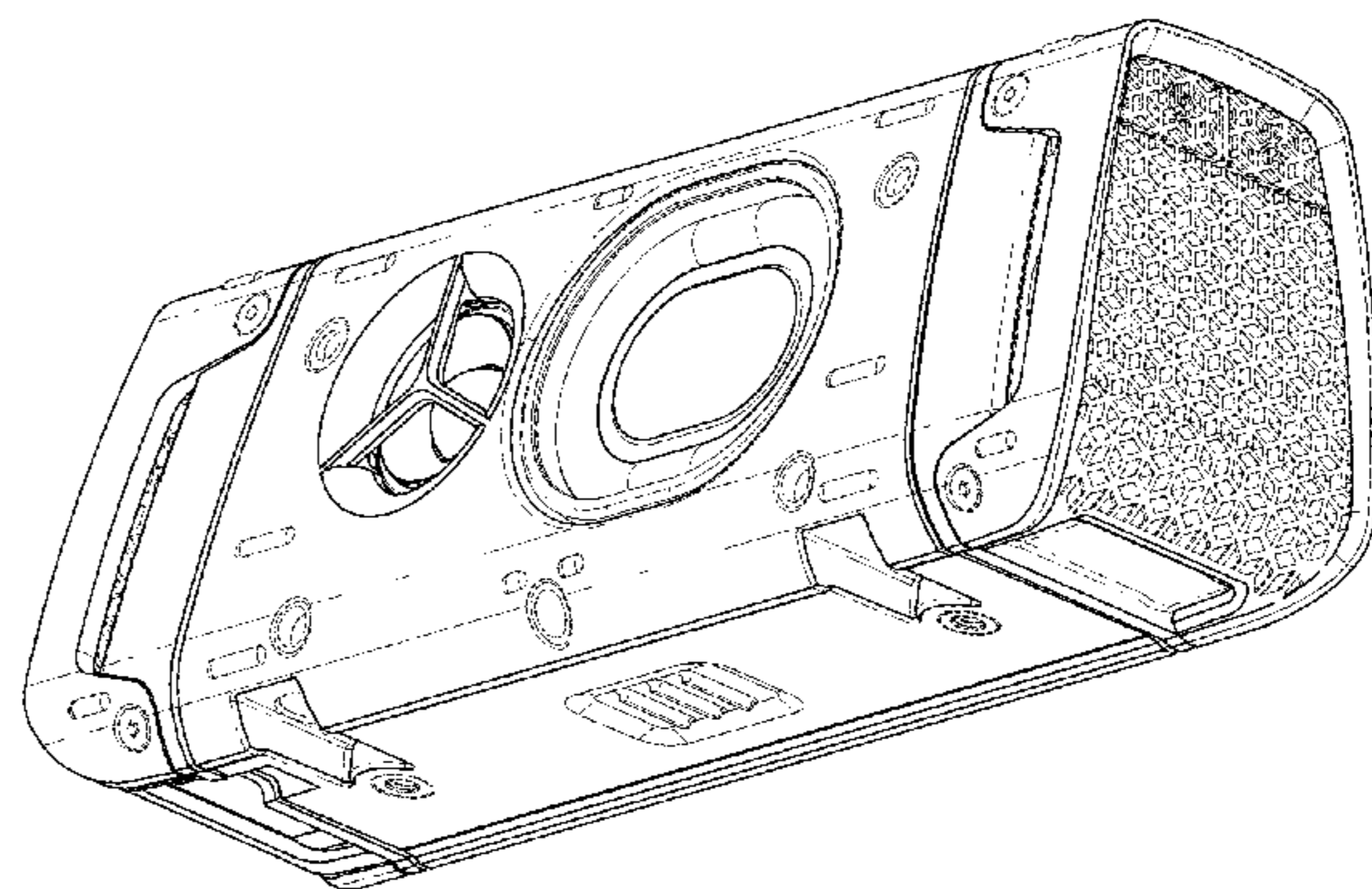
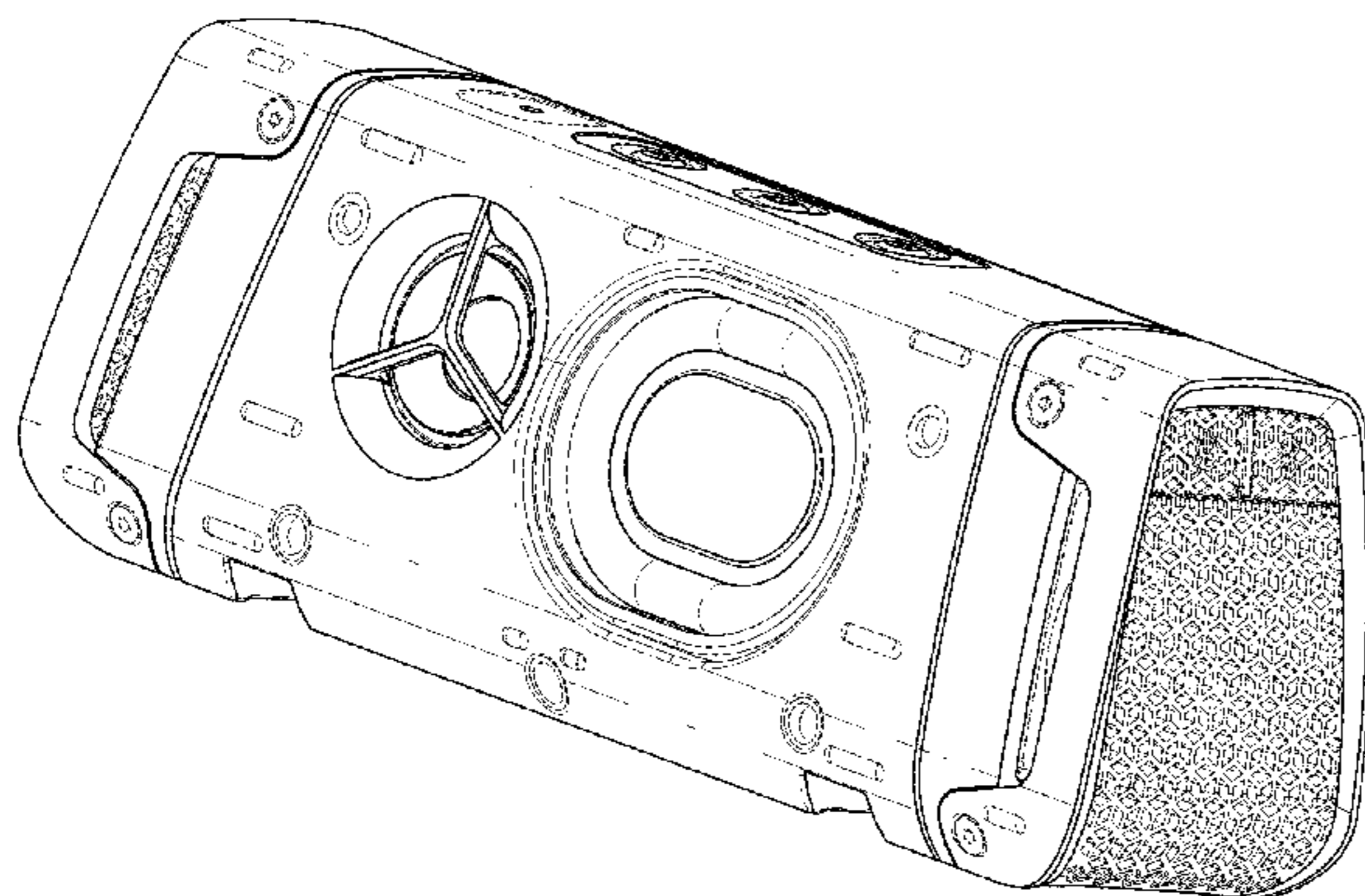
(57) **CLAIM**

The ornamental design for a portable speaker, as shown and described.

**DESCRIPTION**

FIG. 1 is a top, front and side perspective view of a portable speaker embodying my new design;  
FIG. 2 is a bottom, back and side perspective view thereof;  
FIG. 3 is a front view thereof;  
FIG. 4 is a back view thereof;  
FIG. 5 is a top view thereof;  
FIG. 6 is a bottom view thereof;  
FIG. 7 is a first side view thereof; and,  
FIG. 8 is a second side view thereof.  
Broken lines are used to illustrate features of the portable speaker which form no part of the claimed design.

**1 Claim, 6 Drawing Sheets**



(58) **Field of Classification Search**  
 CPC ... 2499/13; H04R 2499/15; H04S 3/00; H04S  
 7/30  
 See application file for complete search history.

D752,558 S \* 3/2016 Cheng ..... D14/217  
 D753,093 S \* 4/2016 Garfio ..... D14/214  
 D777,147 S \* 1/2017 Cheng ..... D14/209.1  
 2009/0161903 A1 6/2009 White  
 2013/0177196 A1 7/2013 Lee  
 2015/0195635 A1 7/2015 Garfio et al.

(56) **References Cited**

U.S. PATENT DOCUMENTS

6,665,412 B1 12/2003 Mizoguchi  
 D491,165 S 6/2004 Hakoda  
 6,910,548 B2 6/2005 Powell  
 7,155,026 B2 12/2006 Augustin, Sr. et al.  
 D535,976 S 1/2007 Ng et al.  
 7,221,772 B2 5/2007 Evenisse et al.  
 7,242,785 B2 7/2007 McNary  
 D551,208 S 9/2007 Yano  
 D552,081 S 10/2007 Yano  
 D553,120 S 10/2007 Yano  
 D556,737 S 12/2007 Oh  
 D579,953 S 11/2008 Chen  
 7,469,052 B2 12/2008 Peavey  
 D611,450 S 3/2010 Miyazaki  
 D619,116 S 7/2010 Skurdal  
 7,764,806 B2 7/2010 Pei et al.  
 D642,156 S 7/2011 Joseph  
 D646,665 S 10/2011 Iijima  
 8,090,137 B2 1/2012 Ryan  
 D661,286 S 6/2012 McManigal et al.  
 8,194,897 B2 6/2012 Choi  
 D673,525 S 1/2013 Goetzen et al.  
 8,351,638 B2 1/2013 Park  
 8,406,449 B2 3/2013 Wegener  
 D705,753 S 5/2014 Kimura  
 D710,332 S 8/2014 Baird  
 D726,685 S 4/2015 Cheng  
 D734,738 S 7/2015 Jackson et al.  
 D736,746 S 8/2015 Cheng et al.  
 D737,246 S 8/2015 Billington  
 D737,247 S 8/2015 Billington

OTHER PUBLICATIONS

Libratone Zipp, [http://reviews.cnet.com/bluetooth-speakers/libratone-zipp-gray/4505-34810\\_7-35530587.html?autoplay=true](http://reviews.cnet.com/bluetooth-speakers/libratone-zipp-gray/4505-34810_7-35530587.html?autoplay=true), CNET review date of Nov. 12, 2012, retrieved on Jan. 8, 2014.  
 JBL Flip, [http://reviews.cnet.com/bluetooth-speakers/jbl-flip-black/4505-34810\\_7-35550919.html](http://reviews.cnet.com/bluetooth-speakers/jbl-flip-black/4505-34810_7-35550919.html), CNET review date of Dec. 21, 2012, retrieved on Jan. 6, 2014.  
 Jawbone Jambox, [http://reviews.cnet.com/portable-speakers/jawbone-jambox-black-diamond/4505-11313\\_7-34207708.html](http://reviews.cnet.com/portable-speakers/jawbone-jambox-black-diamond/4505-11313_7-34207708.html), CNET review date of Nov. 4, 2010, retrieved on Jan. 6, 2014.  
 Jawbone Big Jambox, [http://reviews.cnet.com/bluetooth-speakers/jawbone-big-jambox-graphite/4505-34810\\_7-35244085.html](http://reviews.cnet.com/bluetooth-speakers/jawbone-big-jambox-graphite/4505-34810_7-35244085.html), CNET review date of Apr. 30, 2012, retrieved on Jan. 6, 2014.  
 Logitech UE Boom, [http://reviews.cnet.com/portable-speakers/logitech-ue-boom-blue/4505-11313\\_7-35765418.html](http://reviews.cnet.com/portable-speakers/logitech-ue-boom-blue/4505-11313_7-35765418.html), CNET review date of Jun. 18, 2013, retrieved on Jan. 6, 2014.  
 JBL Charge, [http://reviews.cnet.com/portable-speakers/jbl-charge-blue/4505-11313\\_7-35613369.html](http://reviews.cnet.com/portable-speakers/jbl-charge-blue/4505-11313_7-35613369.html), CNET review date of Apr. 8, 2013, retrieved on Jan. 6, 2014.  
 Beats Pill, [http://reviews.cnet.com/portable-speakers/beats-pill-black/4505-11313\\_7-35493112.html](http://reviews.cnet.com/portable-speakers/beats-pill-black/4505-11313_7-35493112.html), CNET review date of Nov. 21, 2012, retrieved on Jan. 6, 2014.  
 Jawbone Mini Jambox, <http://www.bestbuy.com/site/jawbone-mini-jambox-wireless-speaker-blue-diamond/1584782.p?id=12190563613268skuId=1584782>, retrieved on Mar. 13, 2015.  
 Jensen Bluetooth Wireless Stereo Speaker, <http://www.bestbuy.com/site/jensen-bluetooth-wireless-stereo-speaker-black/6544488.p?id=12187481004118,skuId=6544488>, retrieved on Mar. 13, 2015.

\* cited by examiner

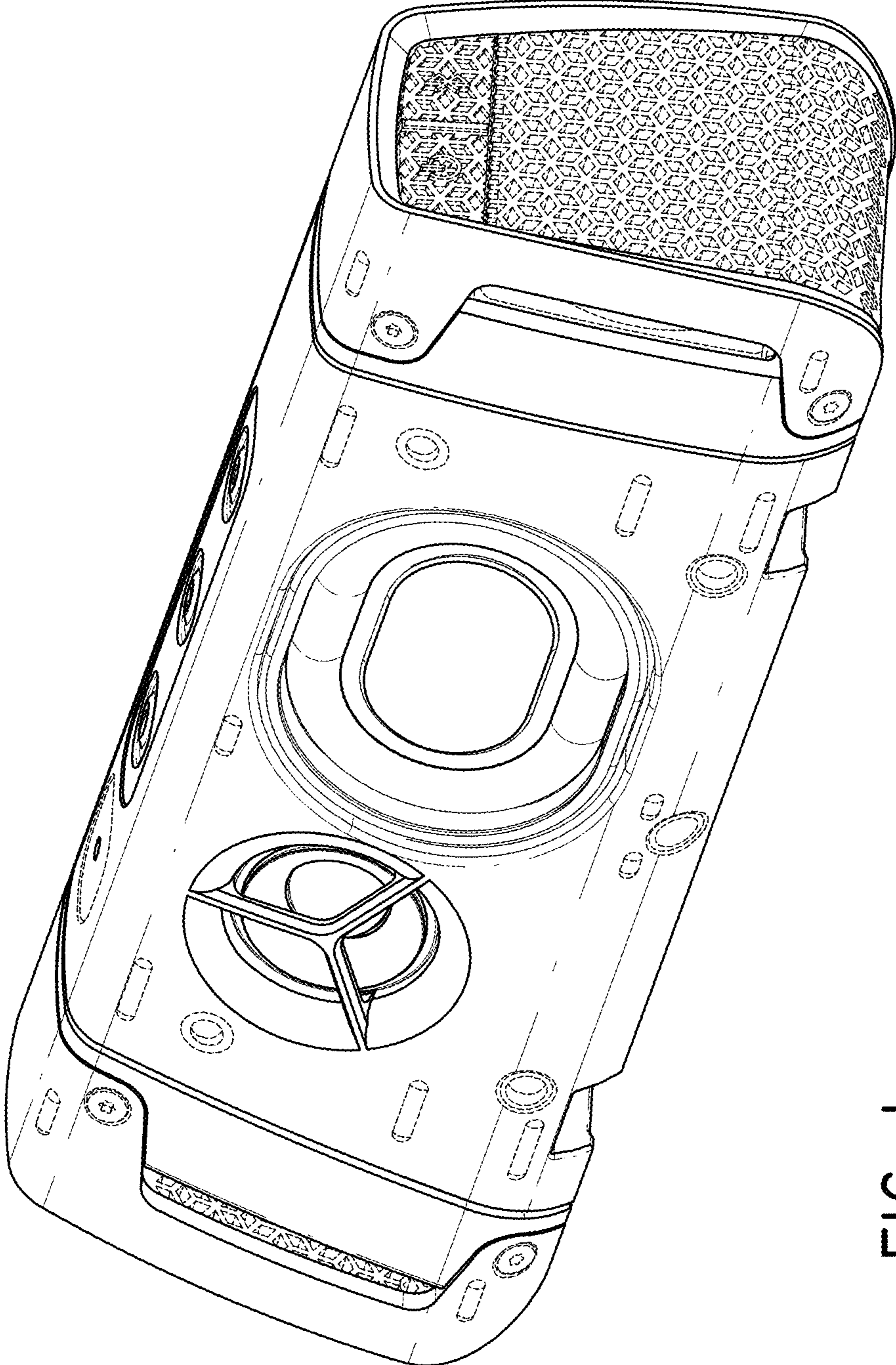


FIG. 1

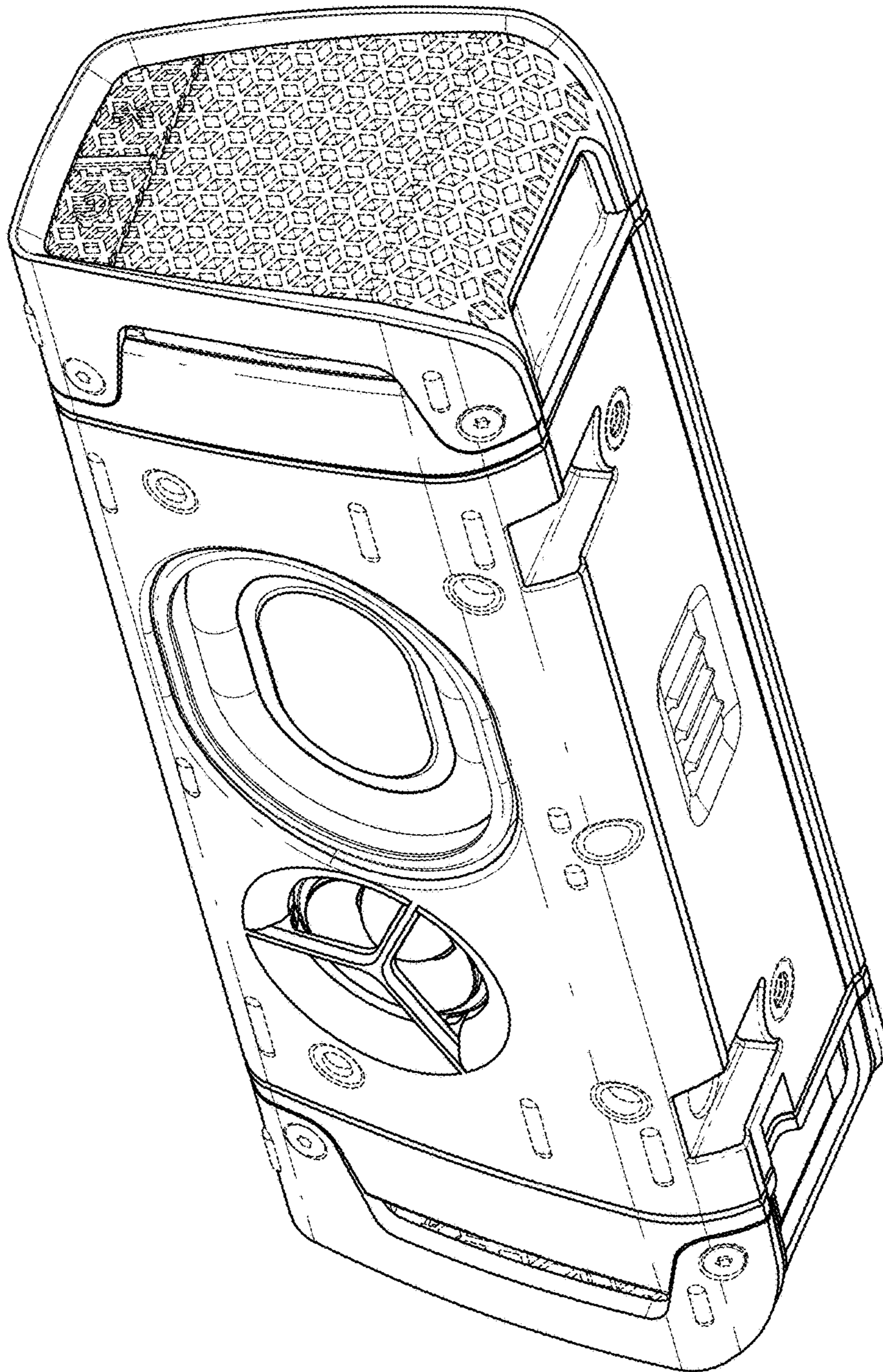


FIG. 2

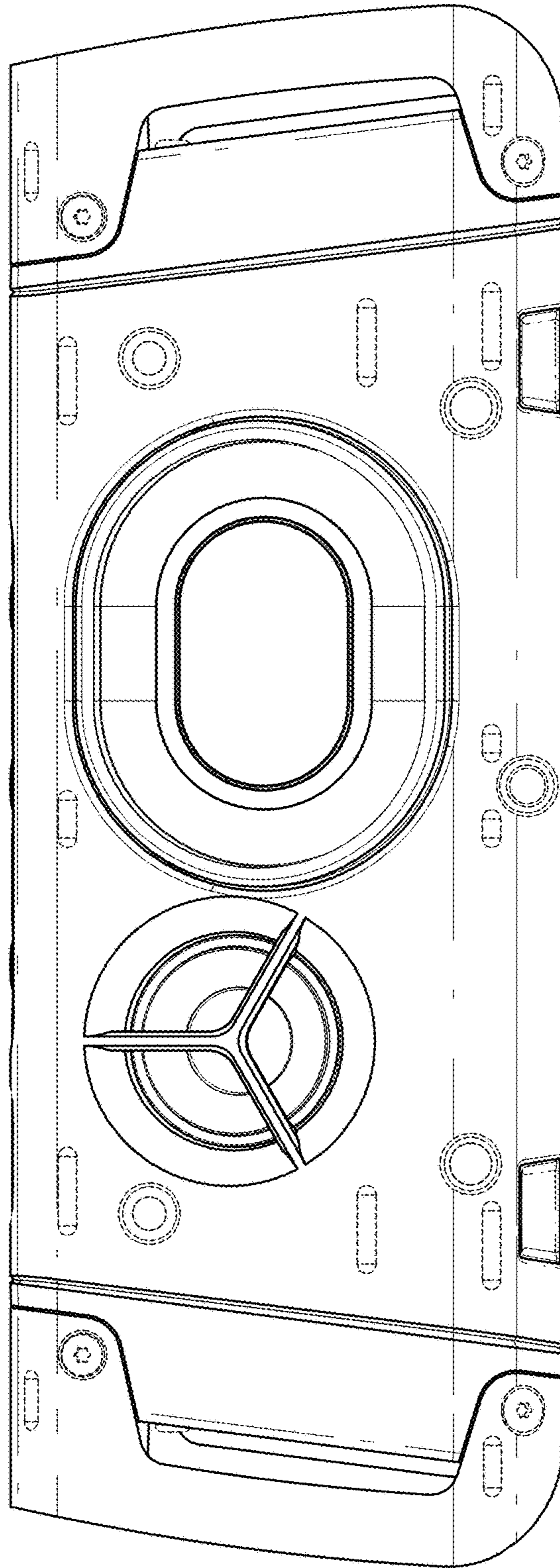


FIG. 3

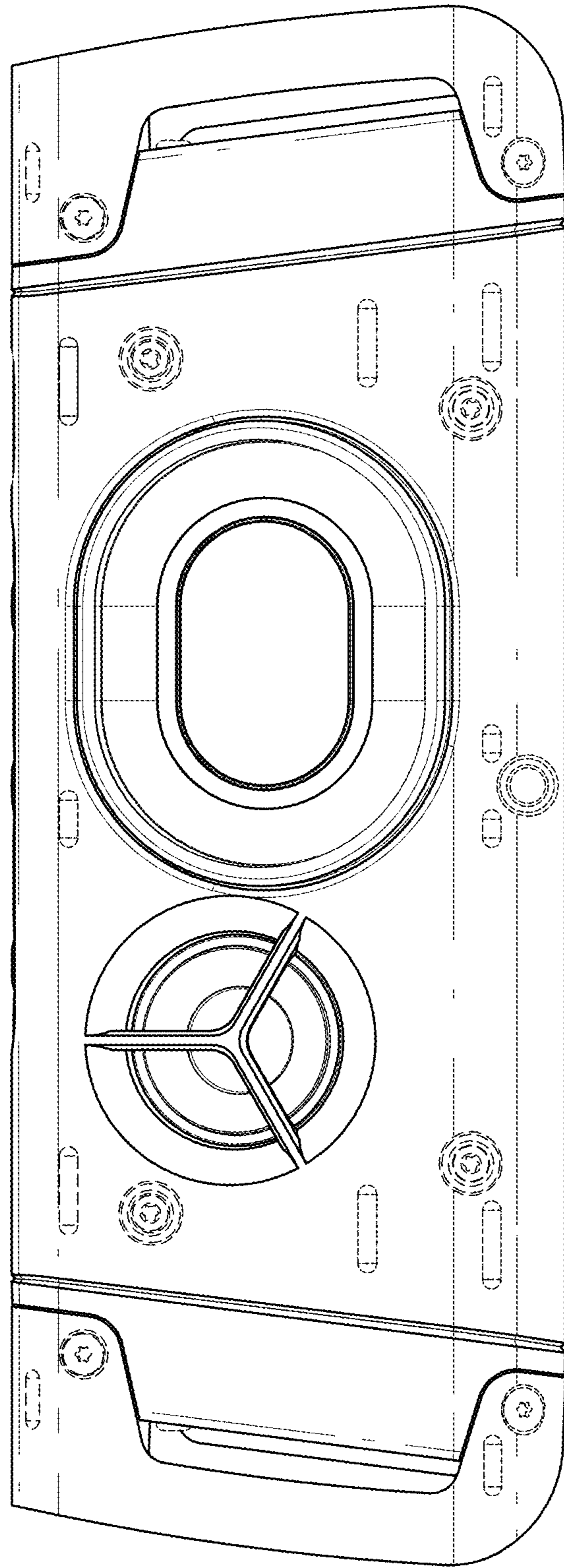


FIG. 4

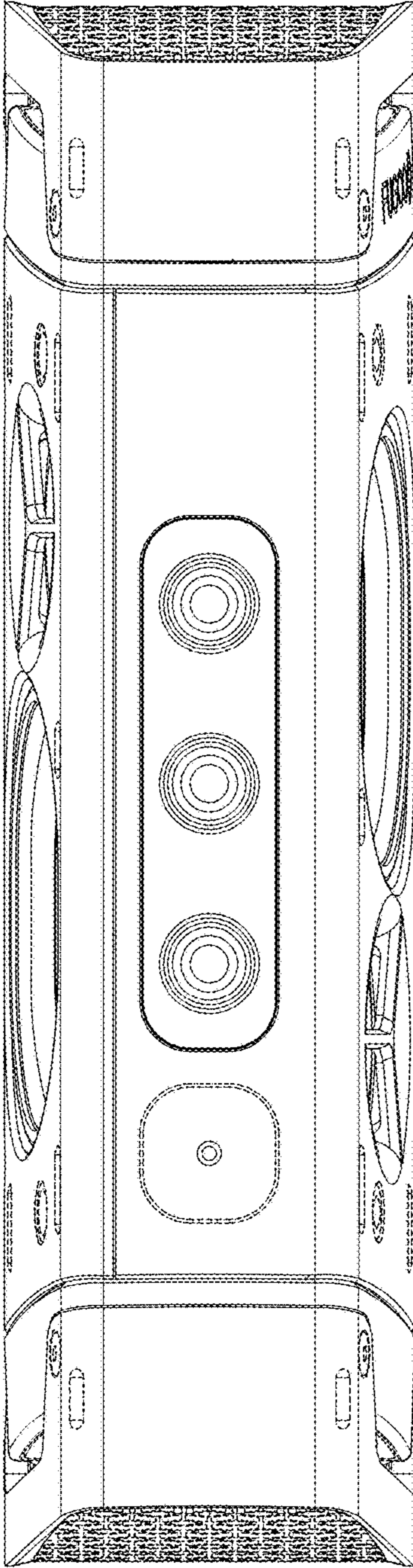


FIG. 5

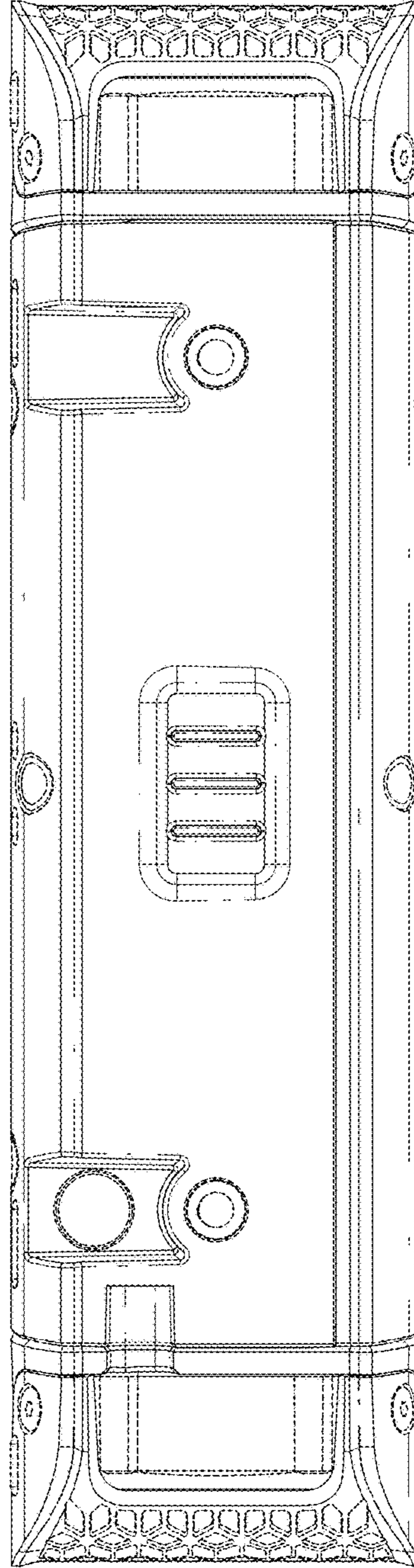


FIG. 6

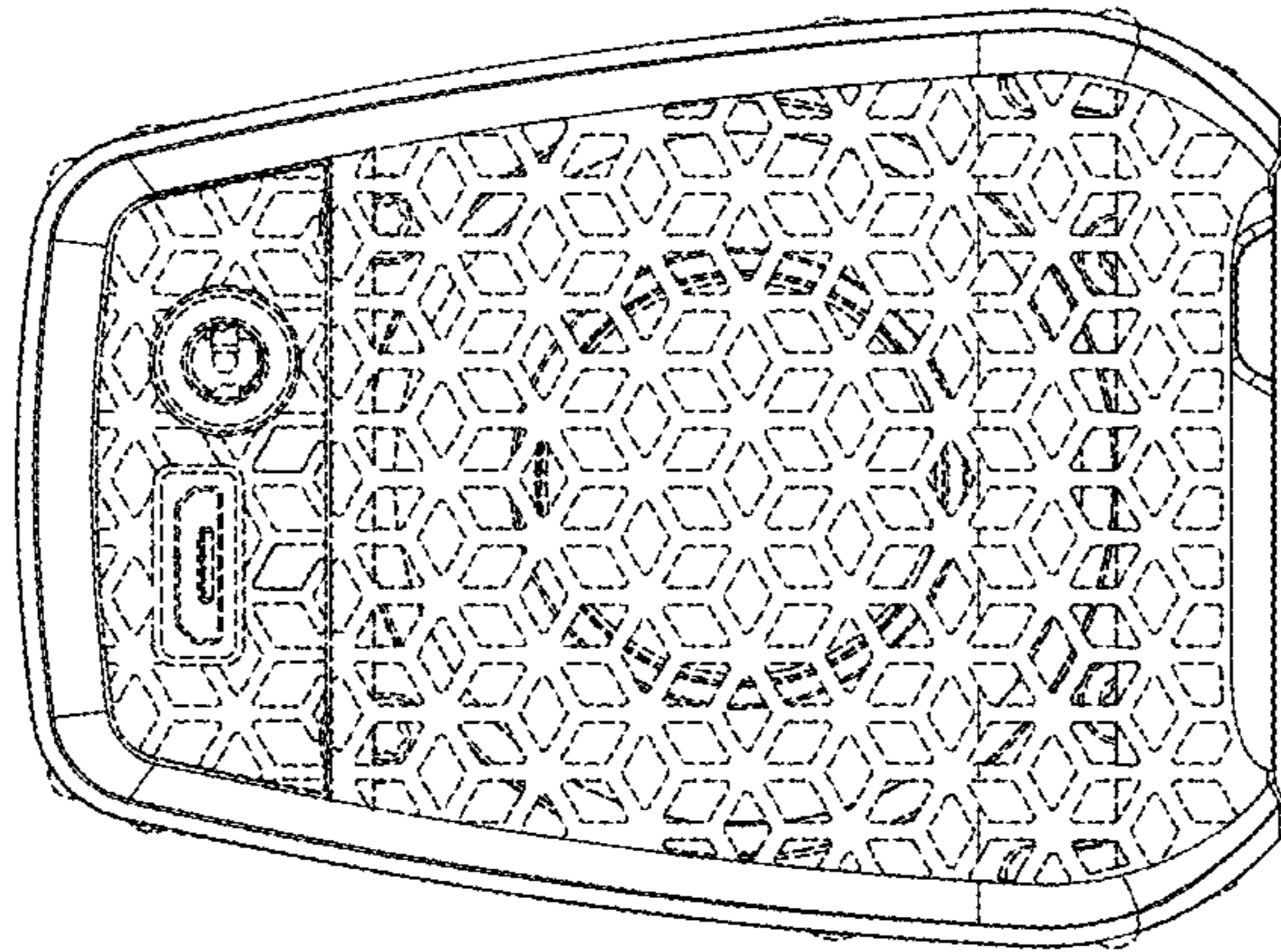


FIG. 8

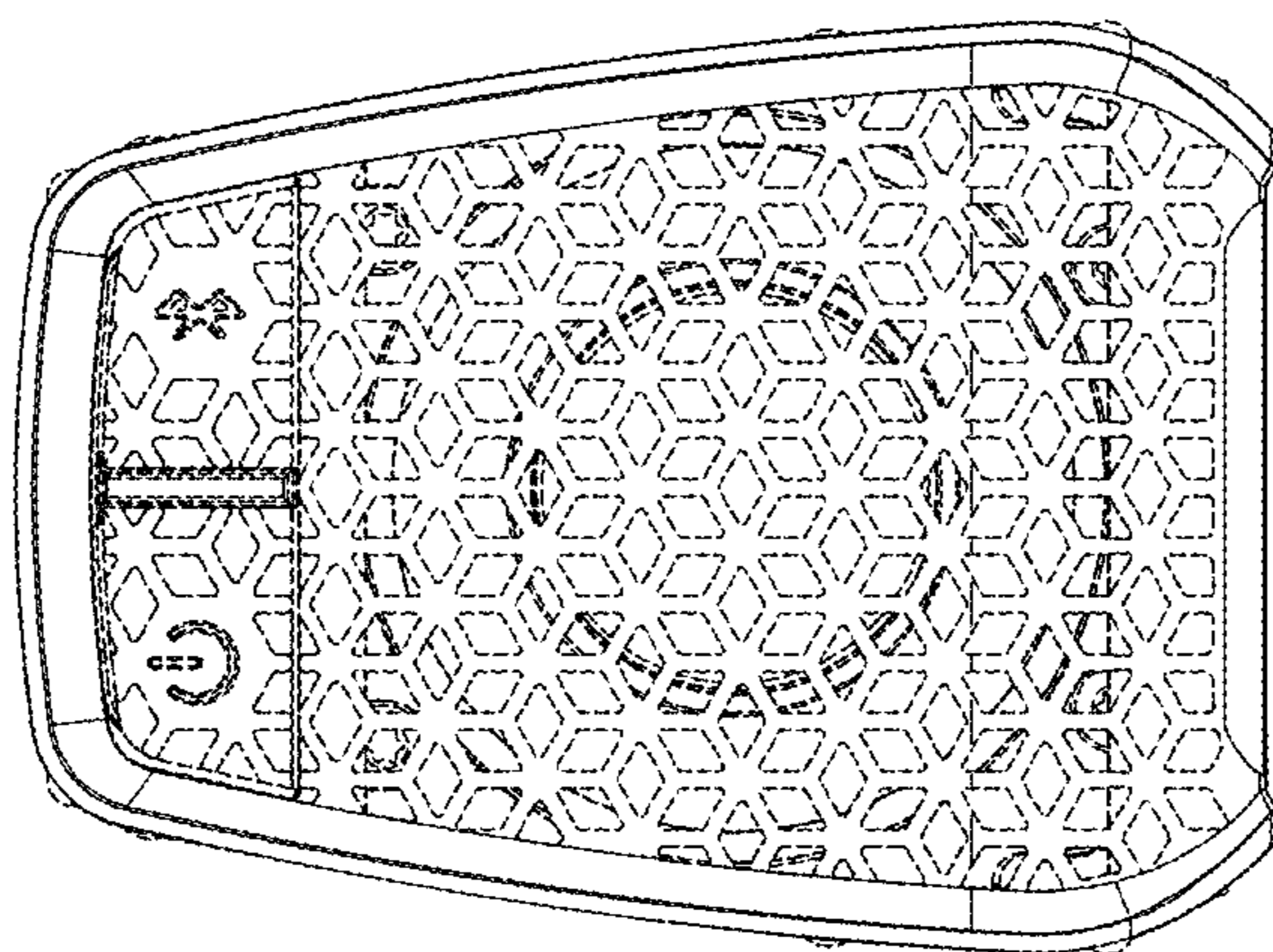


FIG. 7