



US00D821357S

(12) **United States Design Patent**
Tragatschnig

(10) **Patent No.:** **US D821,357 S**
(45) **Date of Patent:** **** Jun. 26, 2018**

(54) **LOUDSPEAKER**

(71) Applicant: **Porsche Lizenz- und
Handelsgesellschaft mbH & Co. KG,**
Ludwigsburg (DE)

(72) Inventor: **Jörg Tragatschnig,** Zell am See (AT)

(73) Assignee: **Porsche Lizenz—und
Handelsgesellschaft mbH & Co. KG,**
Ludwigsburg (DE)

(**) Term: **15 Years**

(21) Appl. No.: **29/590,377**

(22) Filed: **Jan. 10, 2017**

(30) **Foreign Application Priority Data**

Jul. 11, 2016 (EM) 001450753

(51) **LOC (11) Cl.** **14-01**

(52) **U.S. Cl.**
USPC **D14/209.1; D14/214**

(58) **Field of Classification Search**
USPC ... D14/214, 204, 172, 208, 209.1, 210, 212,
D14/213, 215, 216, 218, 240, 496, 228,
D14/191, 195, 196, 203.6, 203.8, 352,
D14/188, 192; D10/104.1; D13/184;
181/143, 144, 147, 148, 150, 153, 157,
181/198, 199; 381/361–364, 386–388;
312/7.1
CPC . H04R 25/00; H04R 1/02; H04R 9/02; H05K
5/00; A47B 81/06
See application file for complete search history.

(56) **References Cited**

U.S. PATENT DOCUMENTS

D121,962 S * 8/1940 Meuer D13/168
3,651,983 A * 3/1972 Haugen B65D 43/162
206/815

D246,852 S * 1/1978 Deitch D13/133
D271,301 S * 11/1983 Manning D13/168
D276,796 S * 12/1984 Allender, Jr. D10/103
D282,162 S * 1/1986 Grimes D14/214
D294,830 S * 3/1988 Umehara D10/104.1
D316,550 S * 4/1991 Sogabe D14/168
5,179,501 A * 1/1993 Ocken H05K 1/0278
174/254
5,247,293 A * 9/1993 Nakagawa G11B 15/023
340/4.42
D371,133 S * 6/1996 Andrea D14/206
D375,483 S * 11/1996 Tashiro D13/110
D424,528 S * 5/2000 Dernehl D13/110
6,122,369 A * 9/2000 Hwang H04M 1/6058
379/420.03
6,328,612 B1 * 12/2001 Chung G06F 1/181
361/732
D473,217 S * 4/2003 Rivera D14/223

(Continued)

Primary Examiner — Paula Allen Greene

(74) *Attorney, Agent, or Firm* — RatnerPrestia

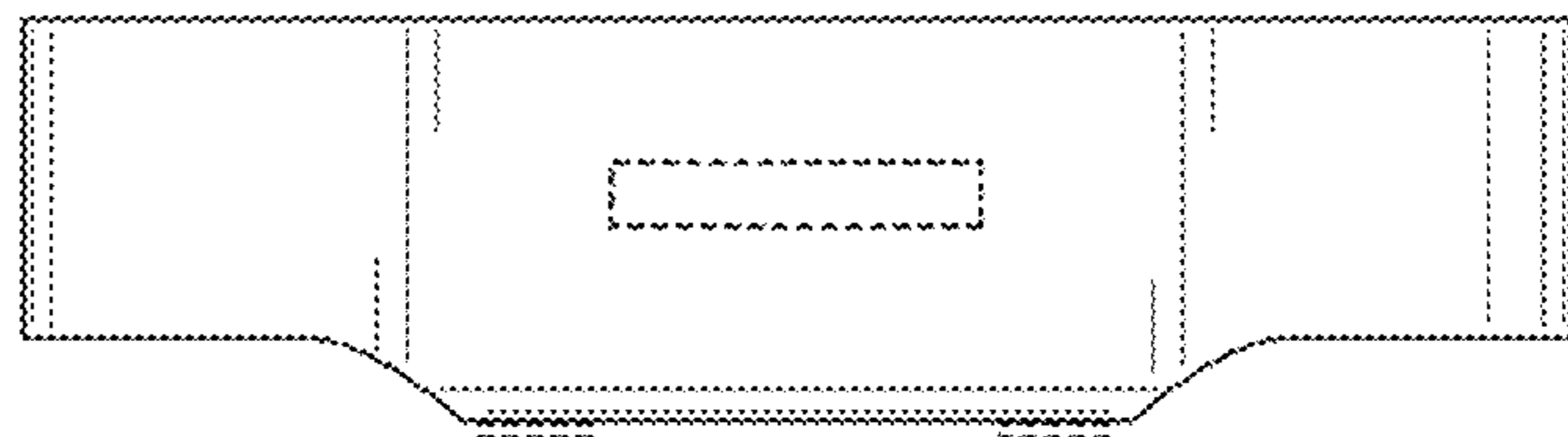
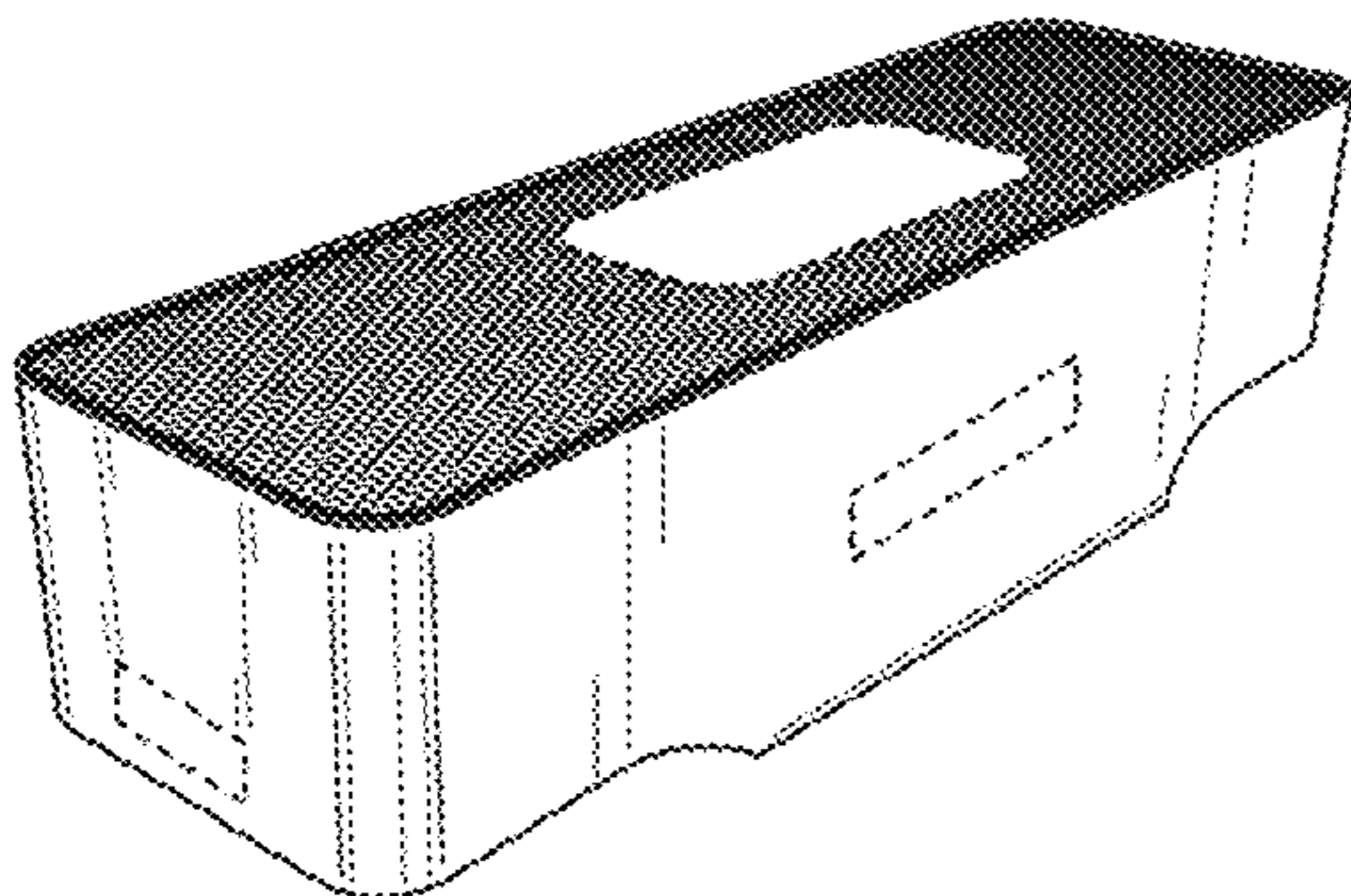
(57) **CLAIM**

The ornamental design for a loudspeaker, as shown and described.

DESCRIPTION

FIG. 1 is a left front perspective view of a loudspeaker; FIG. 2 is a left elevation view thereof, the right side not being part of the claimed design; FIG. 3 is a front elevation view thereof, the rear side not being part of the claimed design; and, FIG. 4 is a top plan view thereof. The bottom of the loudspeaker is devoid of ornamentation. The broken lines immediately adjacent the shaded areas represent the bounds of the claimed design while all other broken lines are directed to environment and are for illustration purposes only; the broken lines form no part of the claimed design.

1 Claim, 2 Drawing Sheets



(56)

References Cited

U.S. PATENT DOCUMENTS

| | | | | | | |
|--------------|----|---|---------|----------|-------|----------------------|
| D475,996 | S | * | 6/2003 | Skulley | | D14/223 |
| D486,478 | S | * | 2/2004 | Swan | | D14/223 |
| D511,157 | S | * | 11/2005 | Johnson | | D14/223 |
| D511,770 | S | * | 11/2005 | Chung | | D14/480.5 |
| D538,259 | S | * | 3/2007 | Okamura | | D14/172 |
| D552,603 | S | * | 10/2007 | Tierney | | D14/155 |
| D577,715 | S | * | 9/2008 | Lim | | D14/240 |
| D586,327 | S | * | 2/2009 | Shimizu | | D14/188 |
| D597,529 | S | * | 8/2009 | Tan | | D14/214 |
| D606,980 | S | * | 12/2009 | Bradford | | D14/218 |
| D612,868 | S | * | 3/2010 | Morabito | | D14/496 |
| D636,759 | S | * | 4/2011 | Chen | | D14/214 |
| D651,589 | S | * | 1/2012 | Fischer | | D14/218 |
| D655,276 | S | * | 3/2012 | Joseph | | D14/214 |
| D686,182 | S | * | 7/2013 | Ashiwa | | D14/149 |
| D713,381 | S | * | 9/2014 | Riggs | | D14/214 |
| D719,932 | S | * | 12/2014 | Osborn | | D14/214 |
| D721,350 | S | * | 1/2015 | Kim | | D14/188 |
| D725,631 | S | * | 3/2015 | McNamara | | D14/214 |
| D743,937 | S | * | 11/2015 | Farr | | D14/214 |
| D756,330 | S | * | 5/2016 | Silvera | | D14/204 |
| 2014/0119591 | A1 | * | 5/2014 | Meng | | H04R 9/02 381/386 |

* cited by examiner

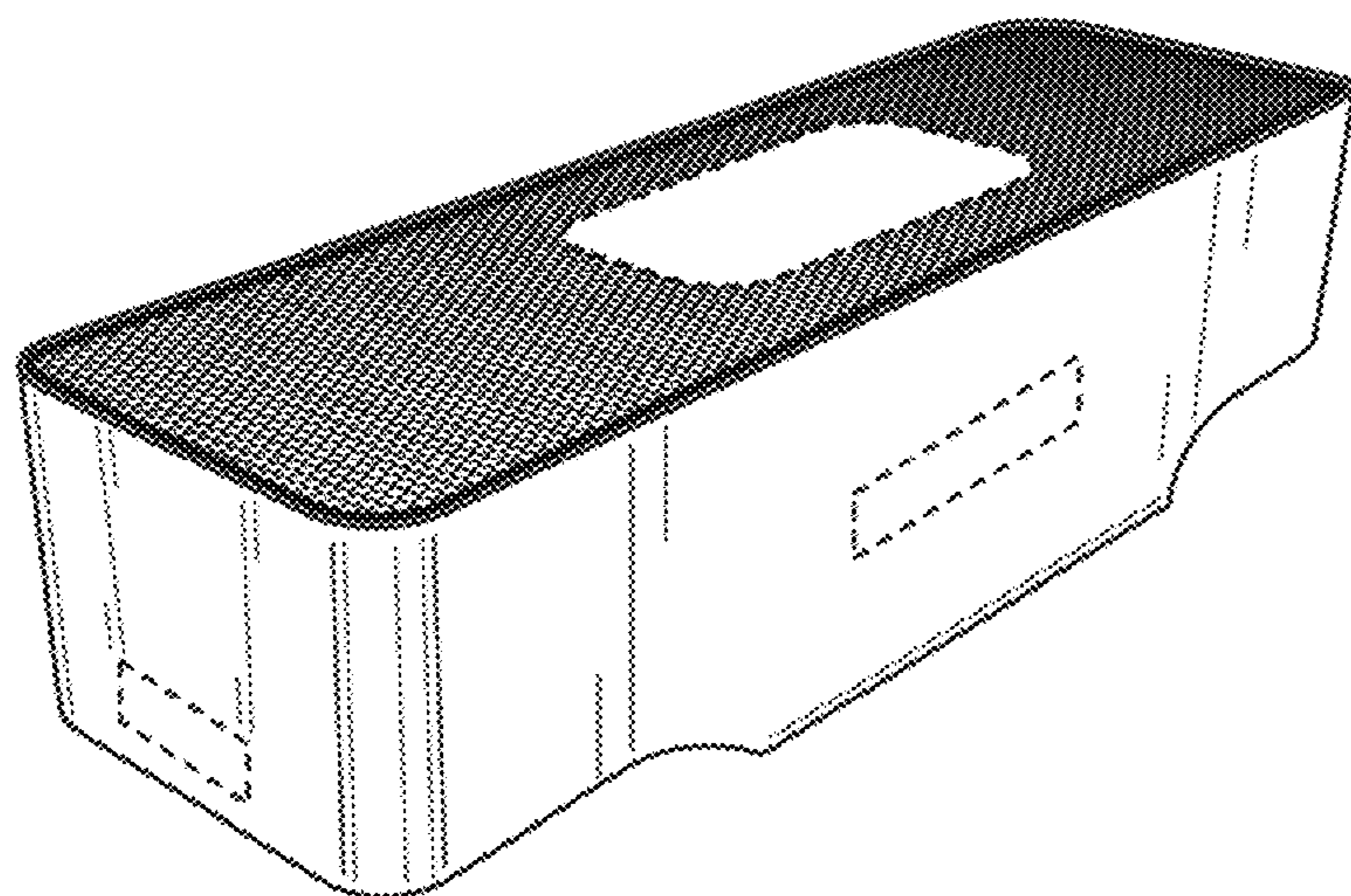


FIG. 1

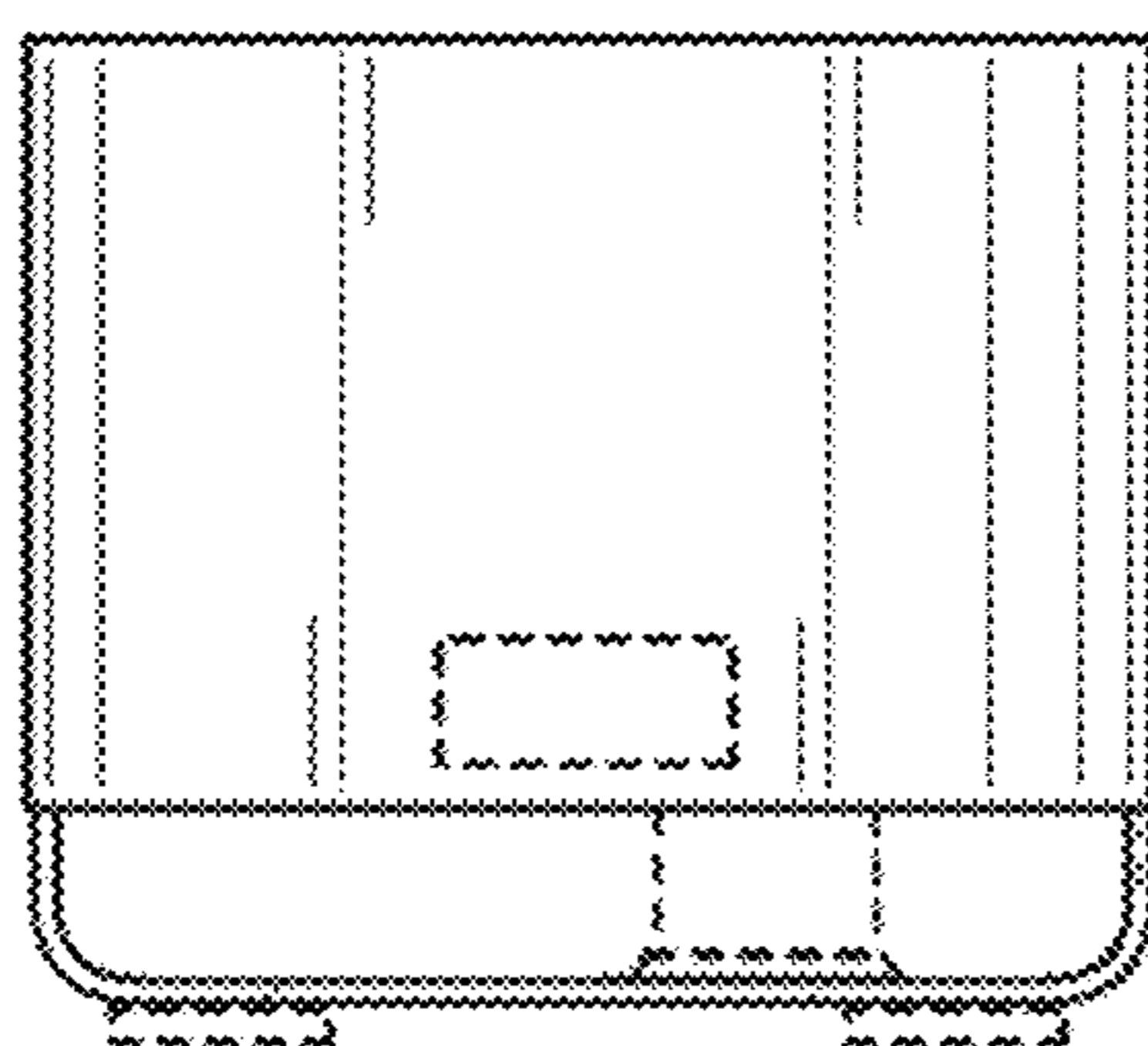


FIG. 2

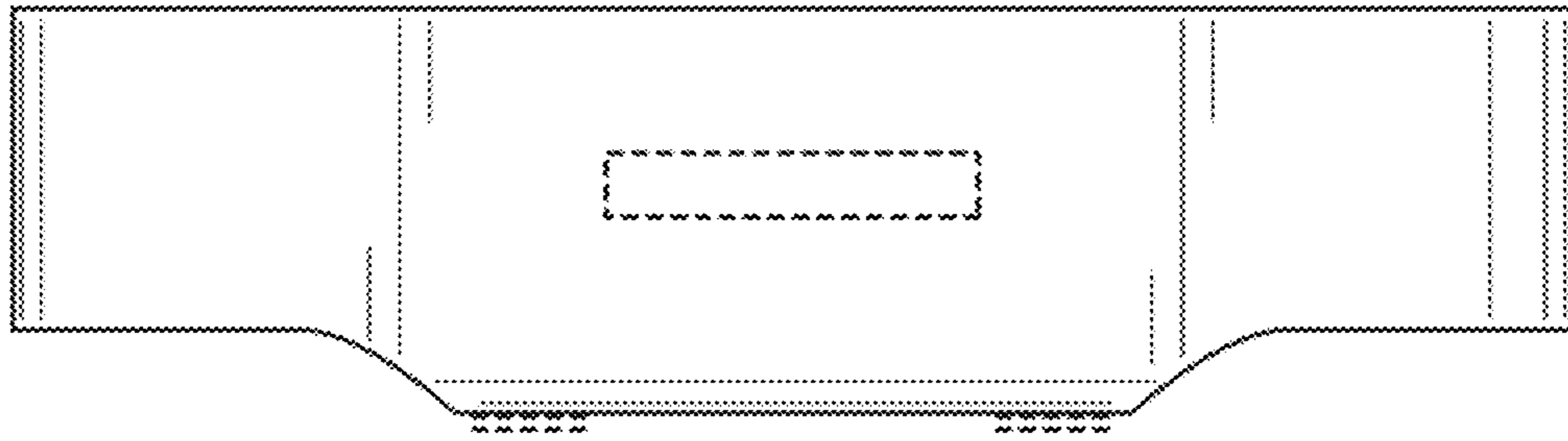


FIG. 3

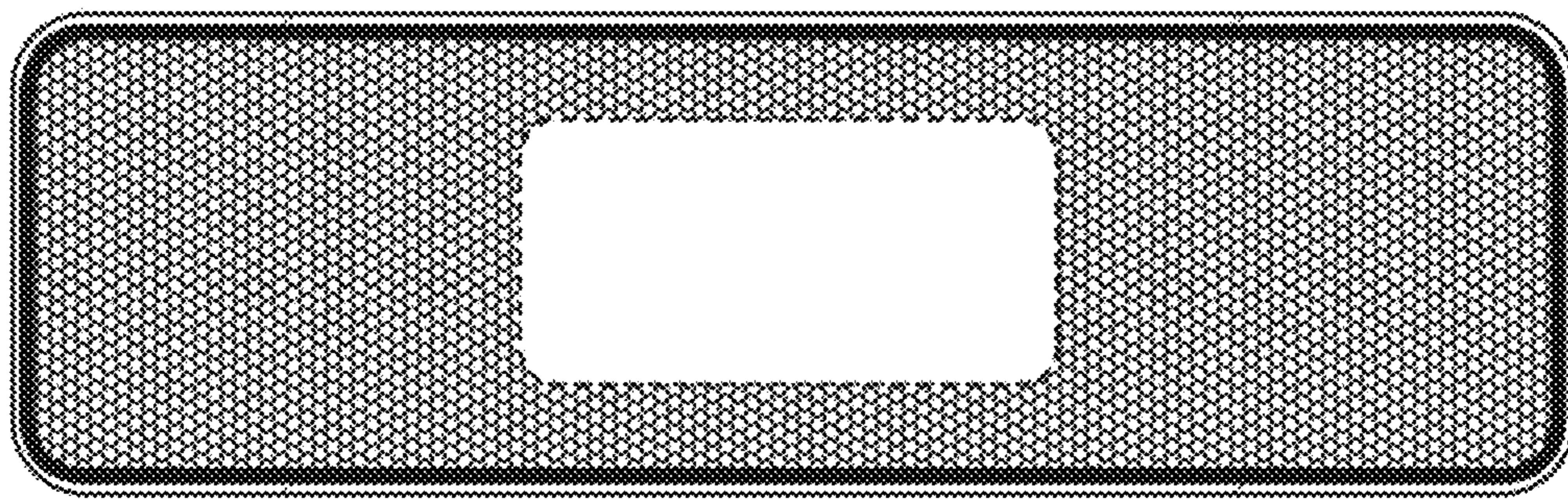


FIG. 4