



US00D821354S

(12) **United States Design Patent**
Ohmachi

(10) **Patent No.:** **US D821,354 S**
(45) **Date of Patent:** **** Jun. 26, 2018**

(54) **HEADPHONE**
(71) Applicant: **YAMAHA CORPORATION,**
Hamamatsu-shi (JP)
(72) Inventor: **Takenori Ohmachi,** Hamamatsu (JP)
(73) Assignee: **YAMAHA CORPORATION,**
Hamamatsu-shi, Shizuoka (JP)

D541,255 S * 4/2007 Taylor D14/205
7,388,960 B2 * 6/2008 Kuo H04R 1/1041
379/430
D581,394 S * 11/2008 Lee D14/205
D588,098 S * 3/2009 Kurihara D14/205
8,098,872 B2 * 1/2012 Chang H04R 1/1075
381/370
D661,685 S * 6/2012 Lee D14/205
D669,450 S * 10/2012 Katsumata D14/205
D704,161 S * 5/2014 Morimoto H04R 1/1066
D14/205

(**) Term: **15 Years**
(21) Appl. No.: **29/599,369**
(22) Filed: **Apr. 3, 2017**

(Continued)

FOREIGN PATENT DOCUMENTS

JP 1463848 S 3/2013

(30) **Foreign Application Priority Data**

Oct. 4, 2016 (JP) 2016-021609

(51) **LOC (11) Cl.** **14-01**

(52) **U.S. Cl.**
USPC **D14/205**

(58) **Field of Classification Search**
USPC D14/205, 223; D29/112; 2/209;
181/129, 130, 135; 379/430, 431;
381/380, 381, 74, 370, 379, 186, 374;
455/90.3, 575.1, 569.1
CPC H04R 1/1066; H04R 1/1016; H04R 25/00;
H04R 1/10; H04R 1/1083; H04R 5/033;
H04R 5/0335; H04R 1/1008; H04R
1/1075; A61F 11/14
See application file for complete search history.

OTHER PUBLICATIONS

Office Action dated Mar. 1, 2017 issued by Japanese Intellectual Property Office in counterpart Japanese Application No. 2016-021611.

Primary Examiner — Paula Allen Greene
(74) *Attorney, Agent, or Firm* — Sughrue Mion, LLC

(57) **CLAIM**

The ornamental design for a headphone, as shown and described.

DESCRIPTION

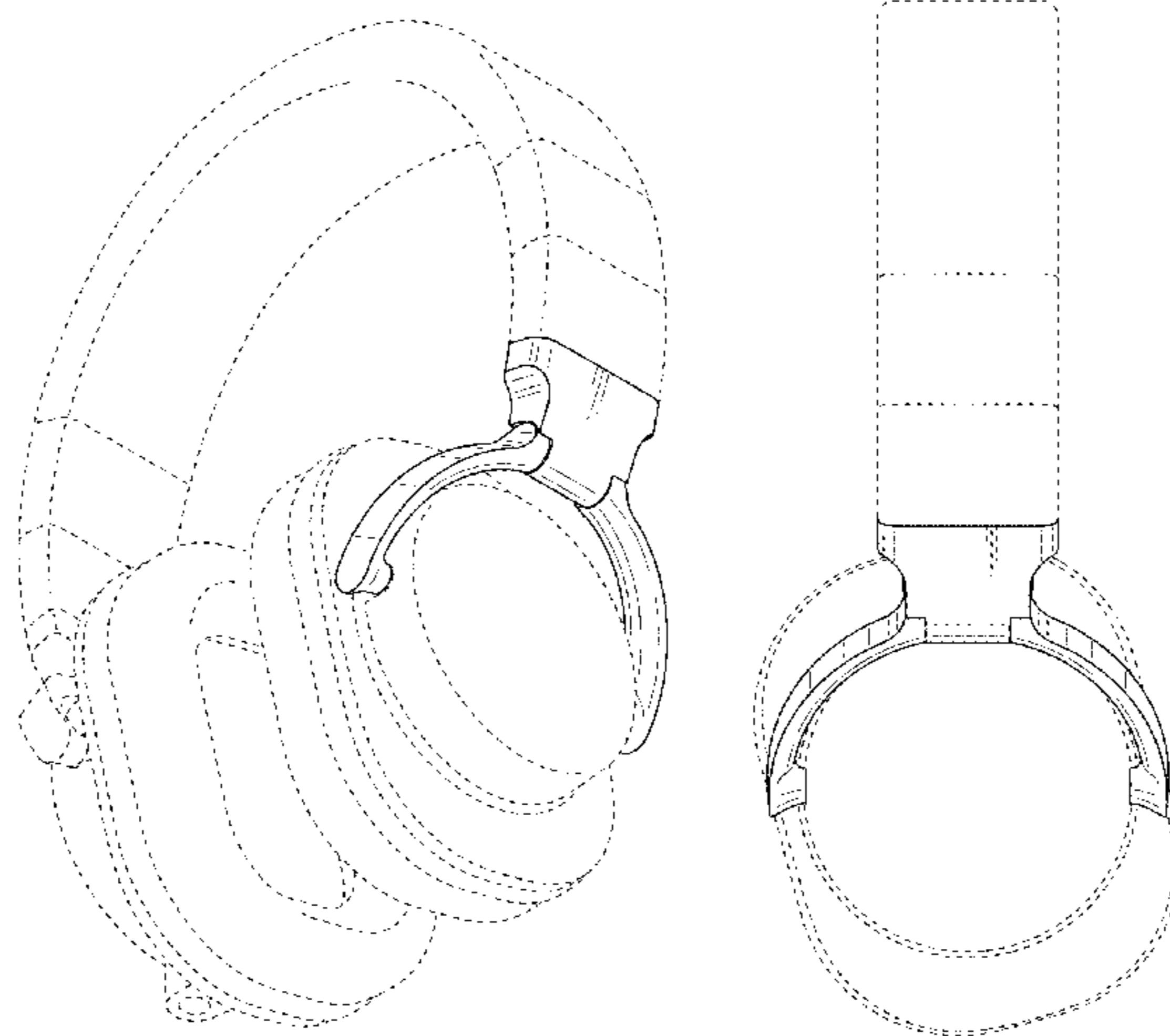
FIG. 1 is a perspective view of the front, bottom and right side of a headphone showing my new design;
FIG. 2 is a front view thereof;
FIG. 3 is a rear view thereof;
FIG. 4 is a left side view thereof;
FIG. 5 is a right side view thereof;
FIG. 6 is a top plan view thereof; and,
FIG. 7 is a bottom view thereof.
The broken line showing of the headphone is included for the purpose of illustrating portions of the headphone and forms no part of the claimed design.

(56) **References Cited**

U.S. PATENT DOCUMENTS

D353,818 S * 12/1994 Nakamura D14/205
5,862,241 A * 1/1999 Nelson H04R 1/105
381/374
D410,466 S * 6/1999 Mouri D14/205
D464,469 S * 10/2002 Dix D29/112
6,654,966 B2 * 12/2003 Rolla H04R 1/1066
2/209

1 Claim, 5 Drawing Sheets



(56)

References Cited

U.S. PATENT DOCUMENTS

| | | | | | | |
|--------------|----|---|---------|------------|-------|------------------------|
| D719,136 | S | * | 12/2014 | Schaal | | D14/205 |
| D721,052 | S | * | 1/2015 | Carr | | D14/205 |
| D734,297 | S | * | 7/2015 | Sasaki | | D14/205 |
| D741,550 | S | * | 10/2015 | Edwardsson | | D29/112 |
| D765,055 | S | * | 8/2016 | Hsieh | | D14/205 |
| D768,110 | S | * | 10/2016 | Suzuki | | D14/205 |
| D776,110 | S | * | 1/2017 | Gribetz | | D14/372 |
| D777,701 | S | * | 1/2017 | Czaniecki | | D14/205 |
| D795,218 | S | * | 8/2017 | Ohmachi | | D14/205 |
| D800,691 | S | * | 10/2017 | Ando | | D14/205 |
| D808,358 | S | * | 1/2018 | Dennis | | D14/205 |
| 2007/0041604 | A1 | * | 2/2007 | Yang | | H04R 1/1066 381/370 |
| 2017/0230746 | A1 | * | 8/2017 | Silvestri | | H04R 1/1083 |

* cited by examiner

Fig. 1

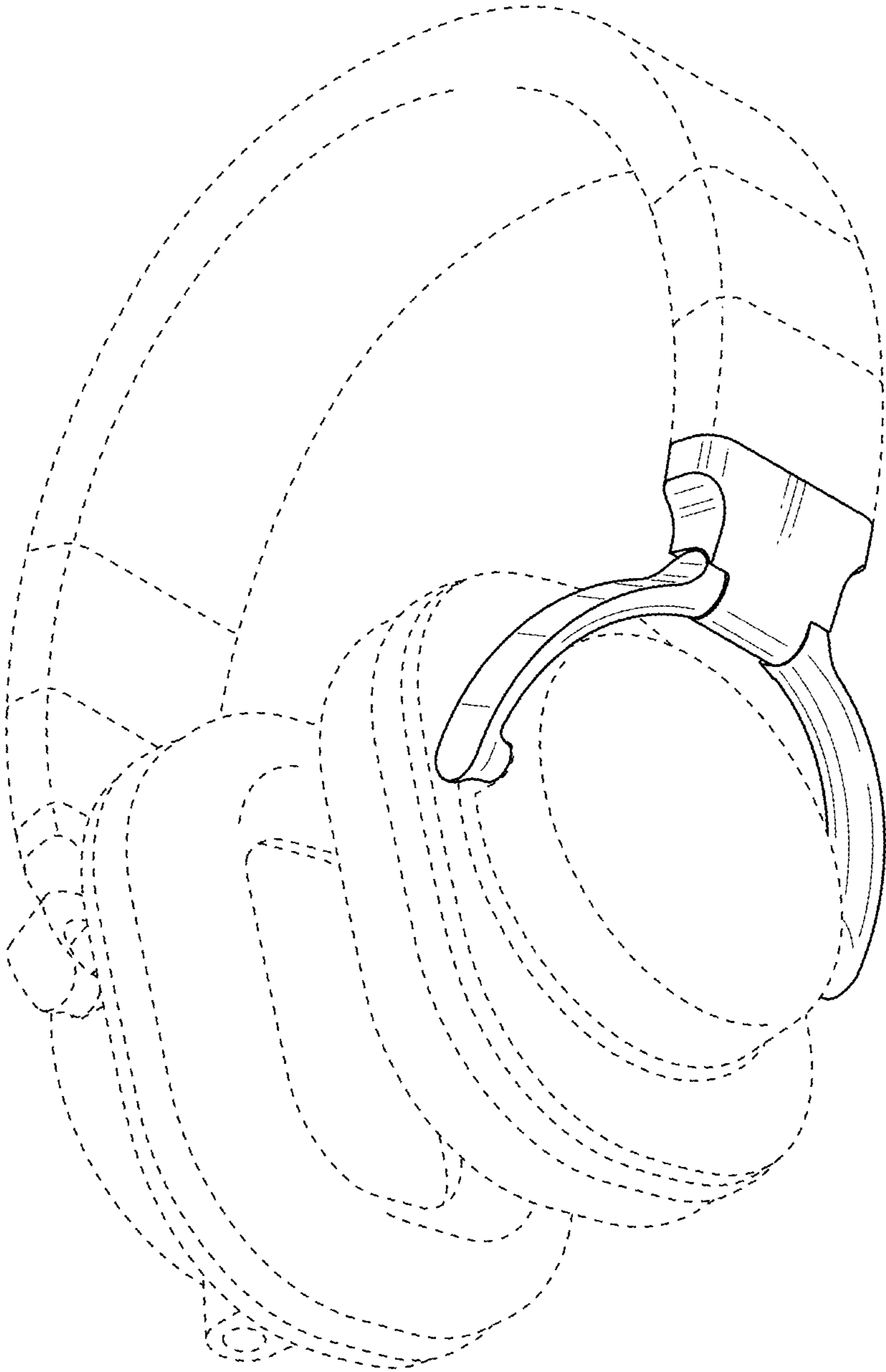


Fig. 2

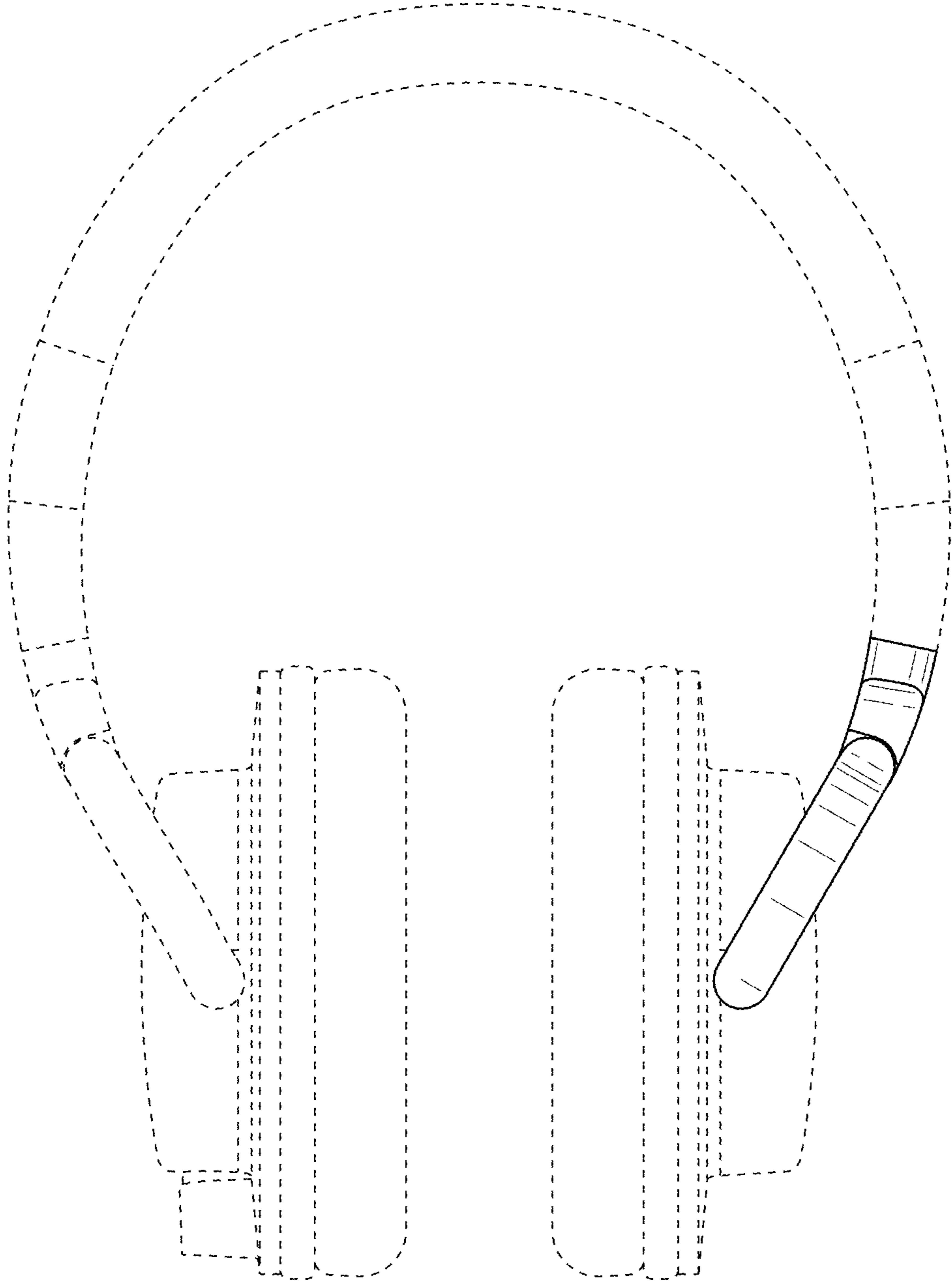


Fig. 3

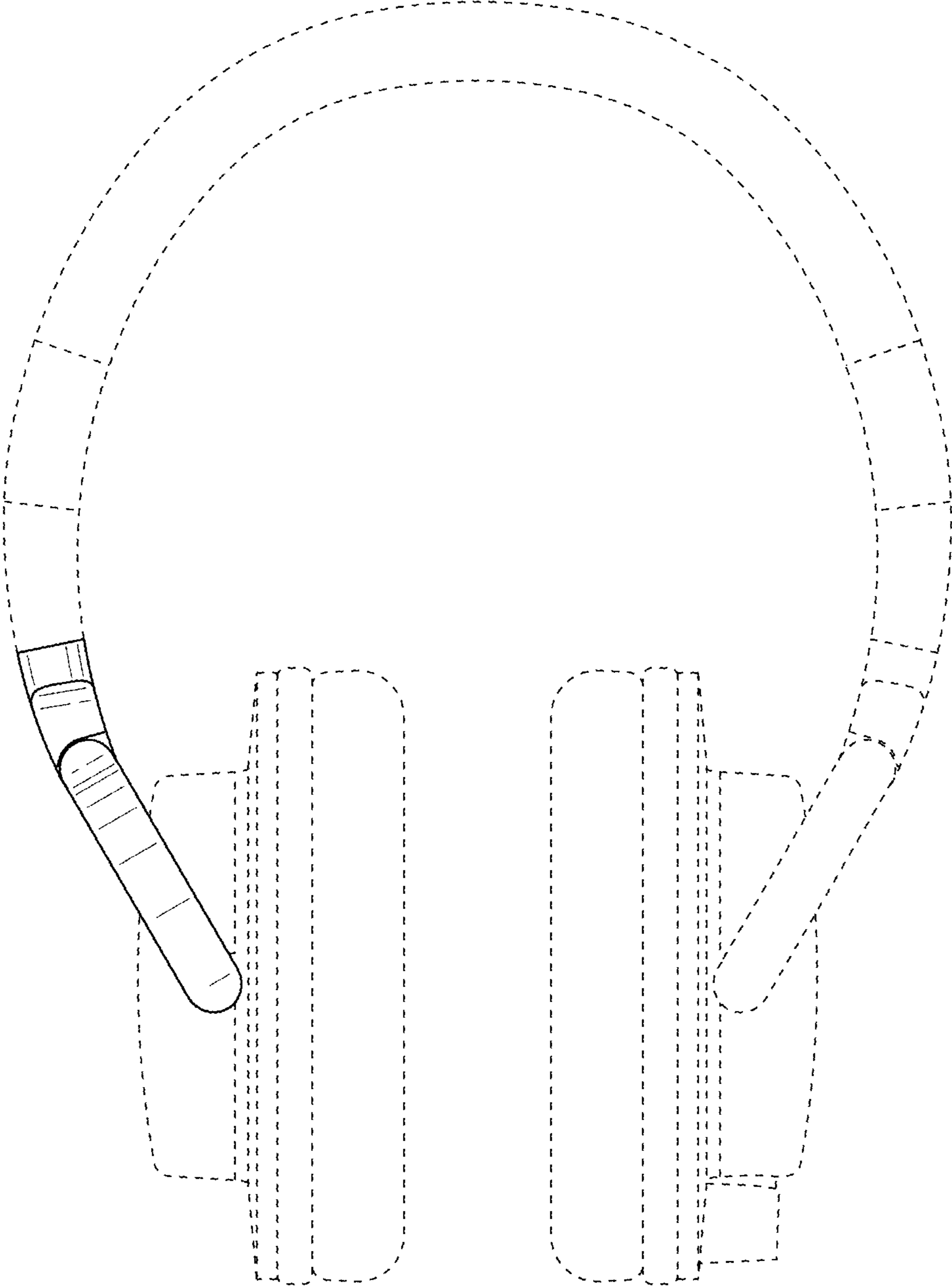


Fig. 4

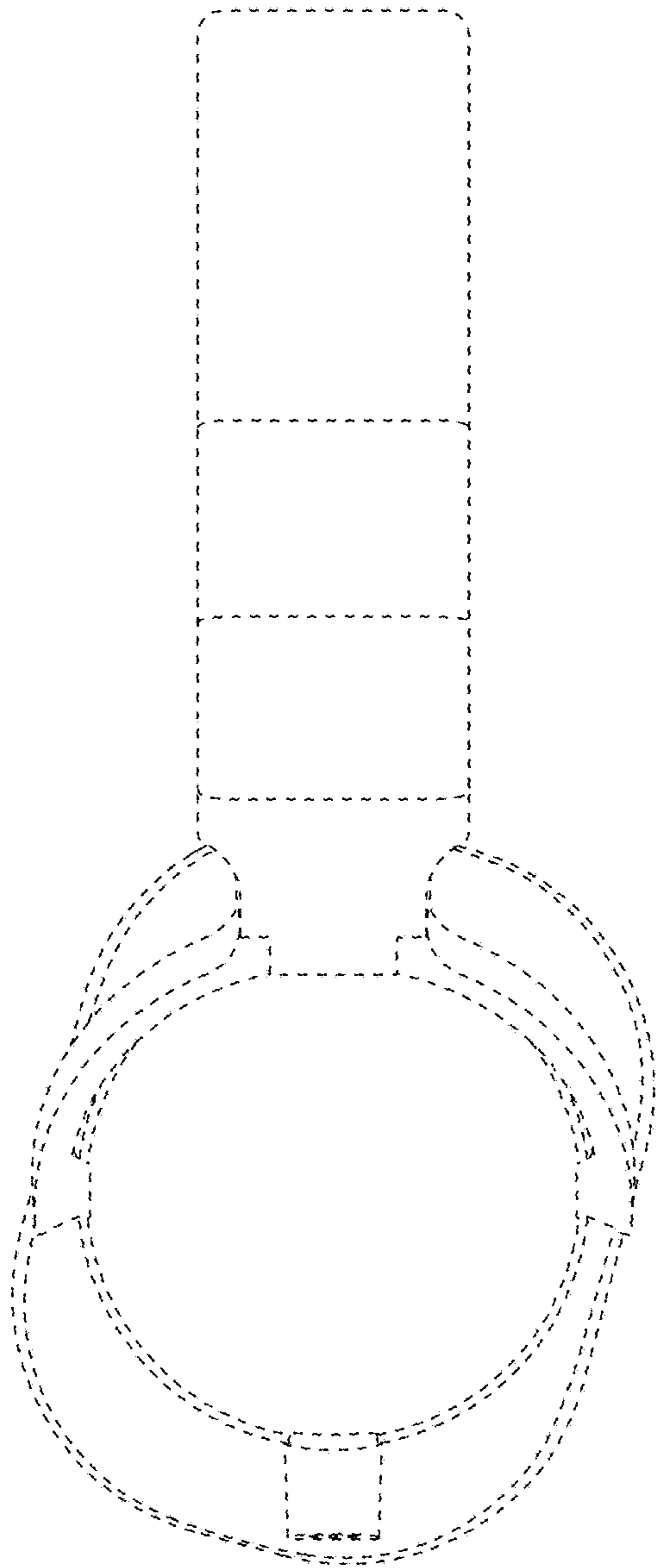


Fig. 5

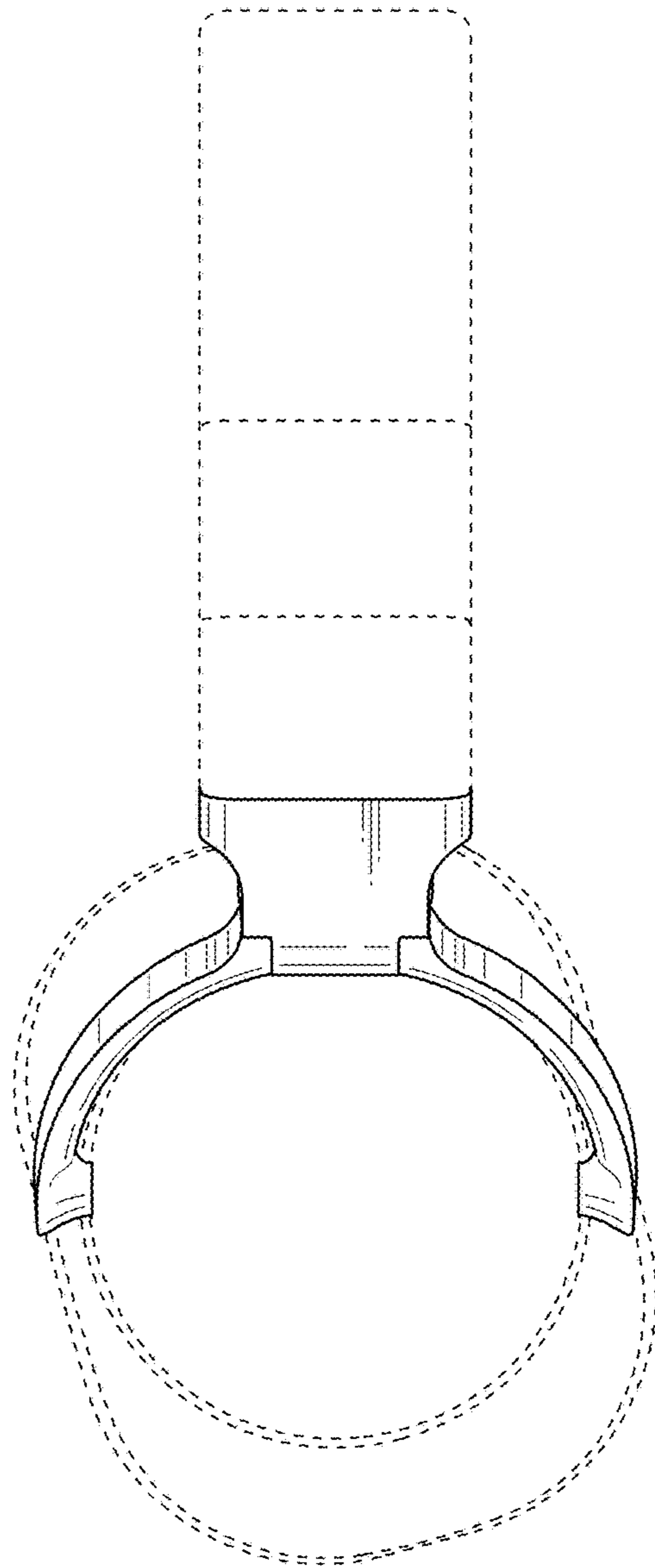


Fig. 6

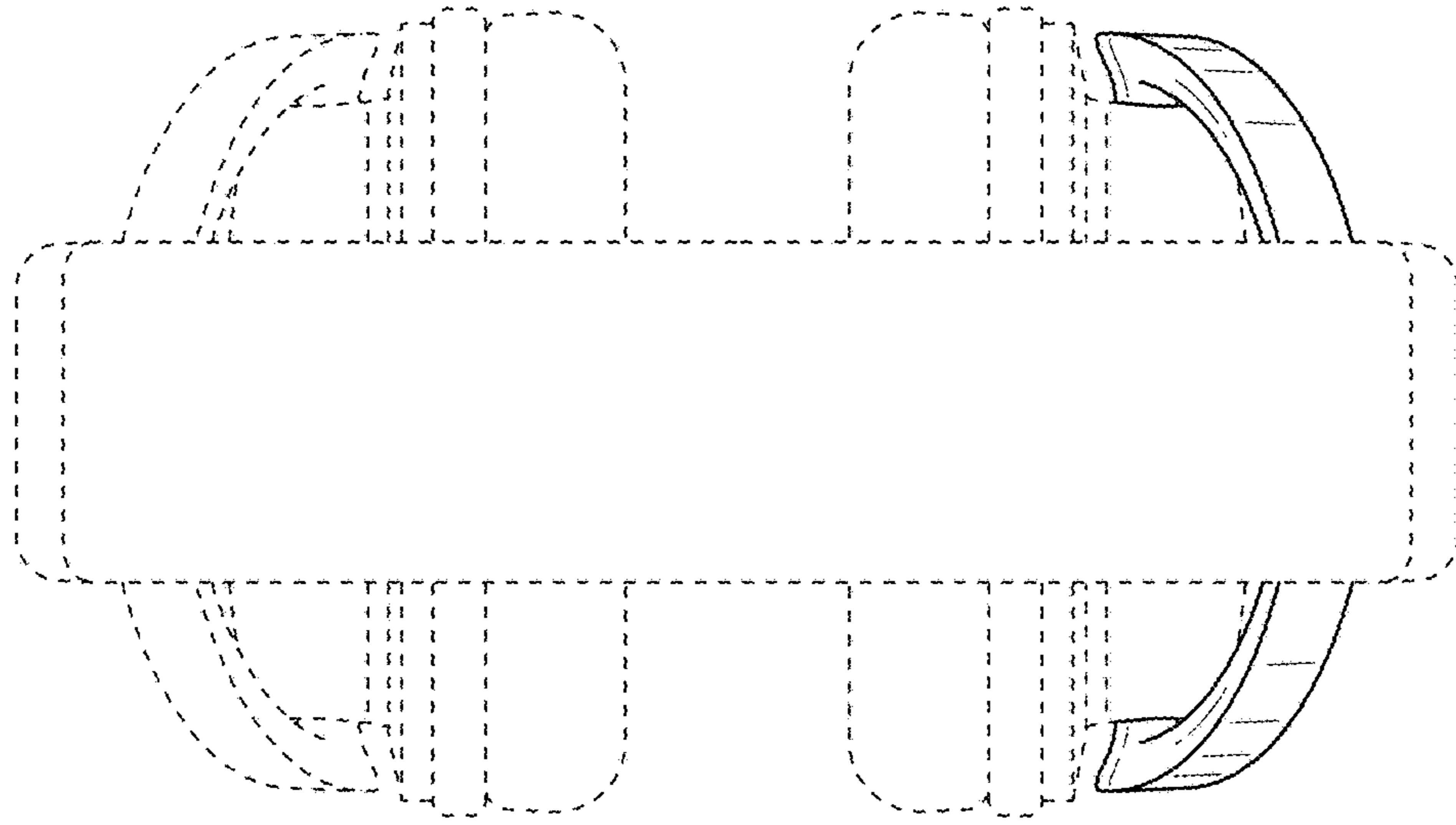


Fig. 7

