



US00D821353S

(12) **United States Design Patent**
Ohmachi

(10) **Patent No.:** **US D821,353 S**
(45) **Date of Patent:** **** Jun. 26, 2018**

(54) **HEADPHONE**

(71) Applicant: **YAMAHA CORPORATION**,
Hamamatsu-shi (JP)

(72) Inventor: **Takenori Ohmachi**, Hamamatsu (JP)

(73) Assignee: **YAMAHA CORPORATION**,
Hamamatsu-shi, Shizuoka (JP)

(**) Term: **15 Years**

(21) Appl. No.: **29/599,366**

(22) Filed: **Apr. 3, 2017**

(30) **Foreign Application Priority Data**

Oct. 4, 2016 (JP) 2016-021610

(51) **LOC (11) Cl.** **14-01**

(52) **U.S. Cl.**
USPC **D14/205**

(58) **Field of Classification Search**
USPC D14/205; D29/112; 2/209; D3/239, 12,
D3/200, 207-210; D11/87; 63/9;
24/71 J; 59/82; 16/248, 387, 265;
D8/323, 306; 181/129, 130, 135;
381/186, 183, 374, 74; 455/90.3, 575.1,
455/569.1; 379/430, 431
CPC H04R 1/1066; H04R 1/1016; H04R 5/033;
H04R 5/0335; H04R 1/10; H04R 25/00;
H04R 1/1083; H04R 1/1008; H04R
1/1075; A61F 11/14
See application file for complete search history.

(56) **References Cited**

U.S. PATENT DOCUMENTS

1,421,388 A * 7/1922 Bippart A44C 5/2047
24/616
3,308,517 A * 3/1967 Geldwerth A44C 5/2047
24/616

D222,361 S * 10/1971 Hart D14/205
3,837,163 A * 9/1974 Fujimori A44C 5/105
59/80
3,952,369 A * 4/1976 Erickson D06F 39/14
16/265
4,689,822 A * 8/1987 Houng H04R 1/1066
381/371
4,706,478 A * 11/1987 Swan E05B 5/00
292/336.3
4,831,694 A * 5/1989 Kong A44B 11/266
24/606

(Continued)

FOREIGN PATENT DOCUMENTS

JP D1463848 S 3/2013

OTHER PUBLICATIONS

Communication dated Mar. 1, 2017, issued by the Japanese Patent Office in counterpart Japanese Patent Application No. 2016-021611.

Primary Examiner — Paula Allen Greene

(74) *Attorney, Agent, or Firm* — Sughrue Mion, PLLC

(57) **CLAIM**

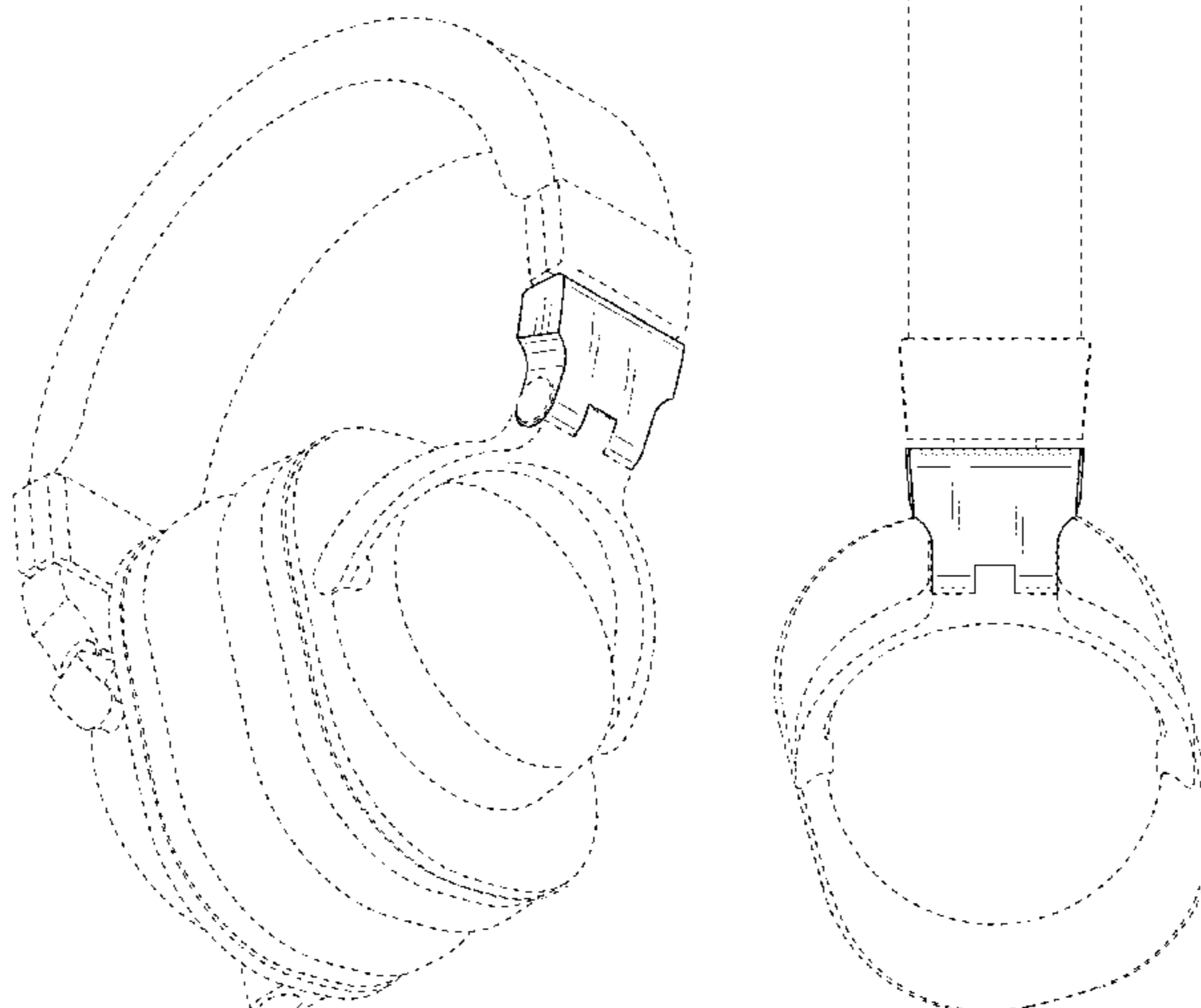
The ornamental design for a headphone, as shown and described.

DESCRIPTION

FIG. 1 is a perspective view of the front, bottom and right side of a headphone showing my new design;
FIG. 2 is a front view thereof;
FIG. 3 is a rear view thereof;
FIG. 4 is a left side view thereof;
FIG. 5 is a right side view thereof;
FIG. 6 is a top plan view thereof; and,
FIG. 7 is a bottom view thereof.

The broken line showing of the headphone is included for the purpose of illustrating portions of the headphone and forms no part of the claimed design.

1 Claim, 5 Drawing Sheets



(56)

References Cited

U.S. PATENT DOCUMENTS

5,018,599 A * 5/1991 Dohi H04R 1/1008
181/129
5,031,275 A * 7/1991 Chiang E05D 11/082
16/253
D333,137 S * 2/1993 Burke D14/206
D353,818 S * 12/1994 Nakamura D14/205
5,406,037 A * 4/1995 Nageno H04R 5/0335
181/129
D376,598 S * 12/1996 Hayashi D14/205
D391,573 S * 3/1998 Nakamura D14/205
D410,466 S * 6/1999 Mouri D14/205
5,930,353 A * 7/1999 Lee H04R 1/04
16/331
D420,356 S * 2/2000 Suzuki D14/205
6,098,394 A * 8/2000 Hashimoto G04B 37/1486
59/80
6,418,706 B1 * 7/2002 Kit A44C 5/10
59/80
D467,580 S * 12/2002 Mori D14/223
6,487,761 B2 * 12/2002 Van Tassel A44B 11/266
24/606

6,629,579 B1 * 10/2003 Hasegawa H04R 1/1066
181/129
D549,688 S * 8/2007 Suzuki D14/205
D567,215 S * 4/2008 Lee D14/205
D585,871 S * 2/2009 Lee D14/205
D585,872 S * 2/2009 Lee D14/205
D597,070 S * 7/2009 Zheng D14/205
D600,674 S * 9/2009 Brennwald D14/205
D621,683 S * 8/2010 Mullenix D8/323
D634,732 S * 3/2011 Kondo D14/205
D636,377 S * 4/2011 Morisawa D14/205
D639,776 S * 6/2011 Arimoto D14/205
D657,776 S * 4/2012 Lee D14/205
D663,286 S * 7/2012 Morisawa D14/205
D683,327 S * 5/2013 Dougherty D14/205
D696,644 S * 12/2013 Sejpka D14/205
D758,991 S * 6/2016 Petersen D14/205
D780,156 S * 2/2017 Petersen D14/205
D780,715 S * 3/2017 Nakagawa D14/205
D781,265 S * 3/2017 Levine D14/205
D791,101 S * 7/2017 Petersen D14/205
D795,218 S * 8/2017 Ohmachi D14/205
D796,476 S * 9/2017 Sul D14/205
2017/0041697 A1 * 2/2017 Levine H04R 1/1033

* cited by examiner

Fig. 1

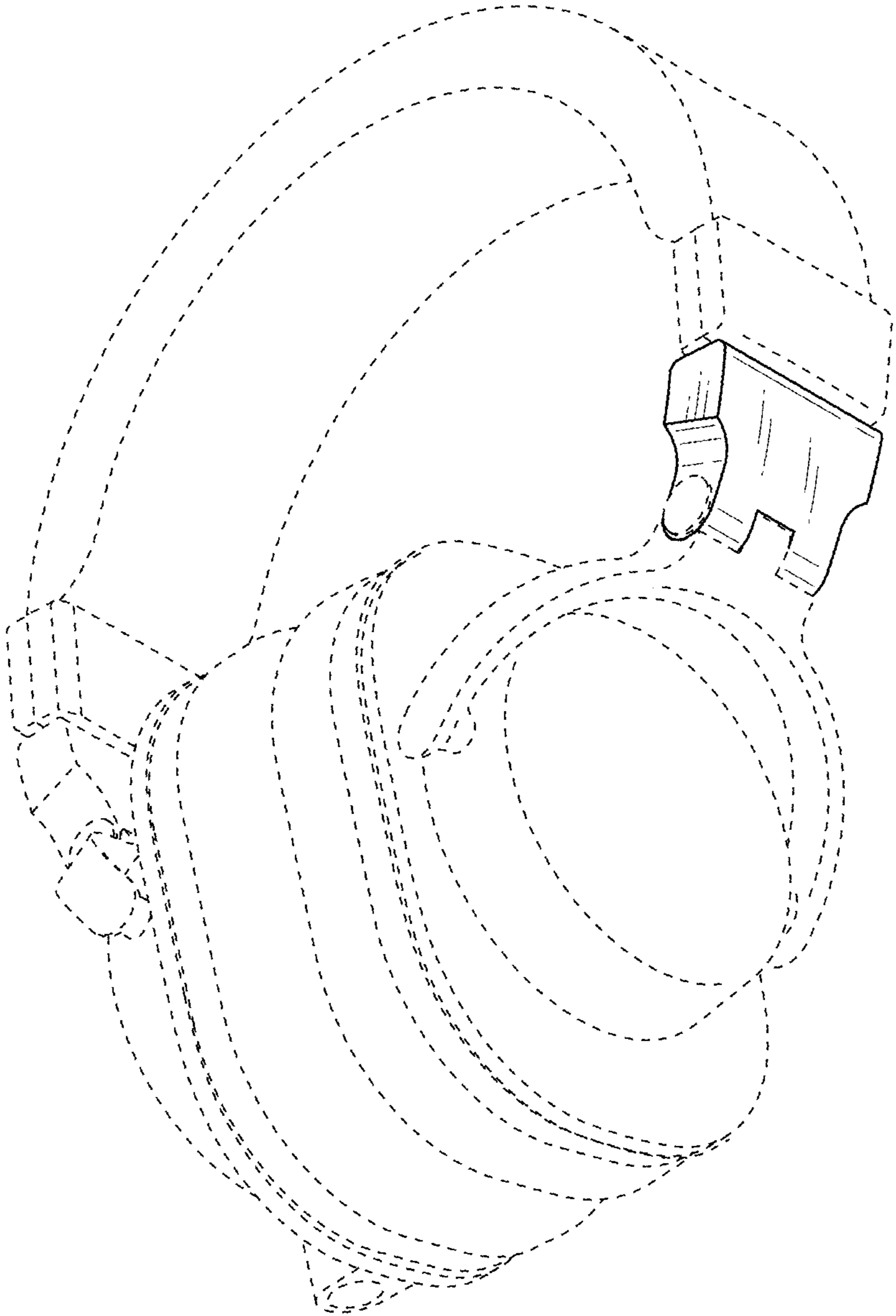


Fig. 2

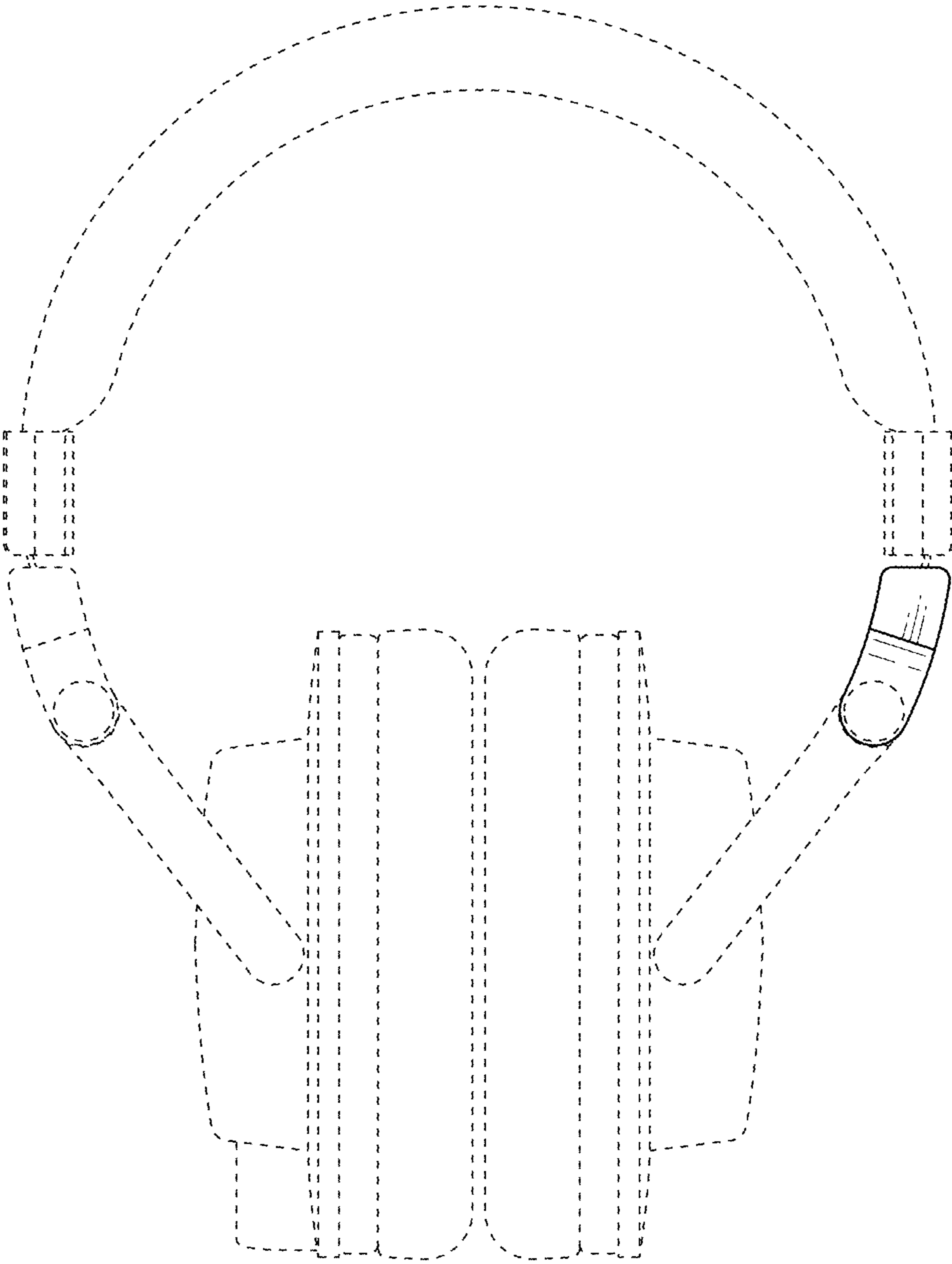


Fig. 3

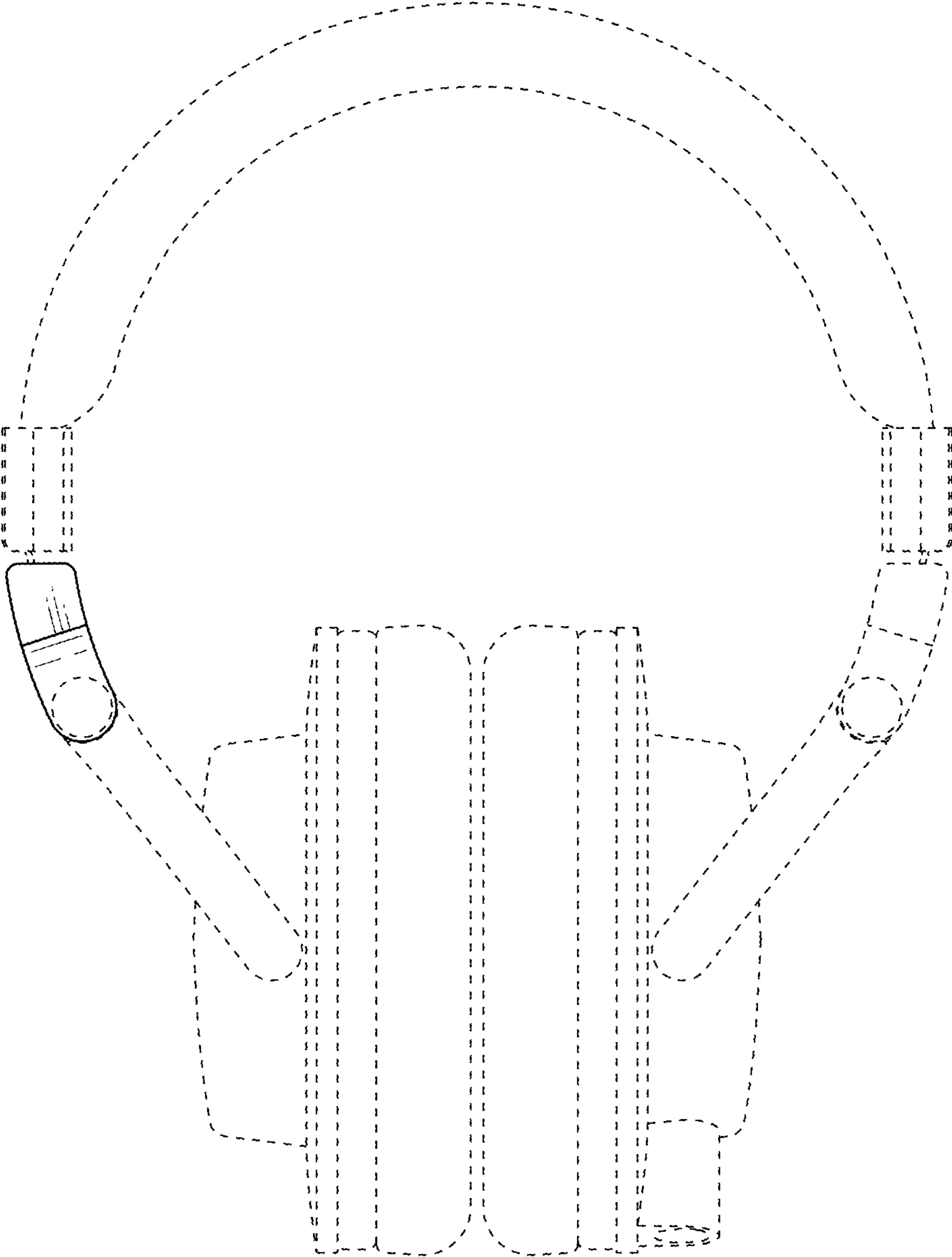


Fig. 4

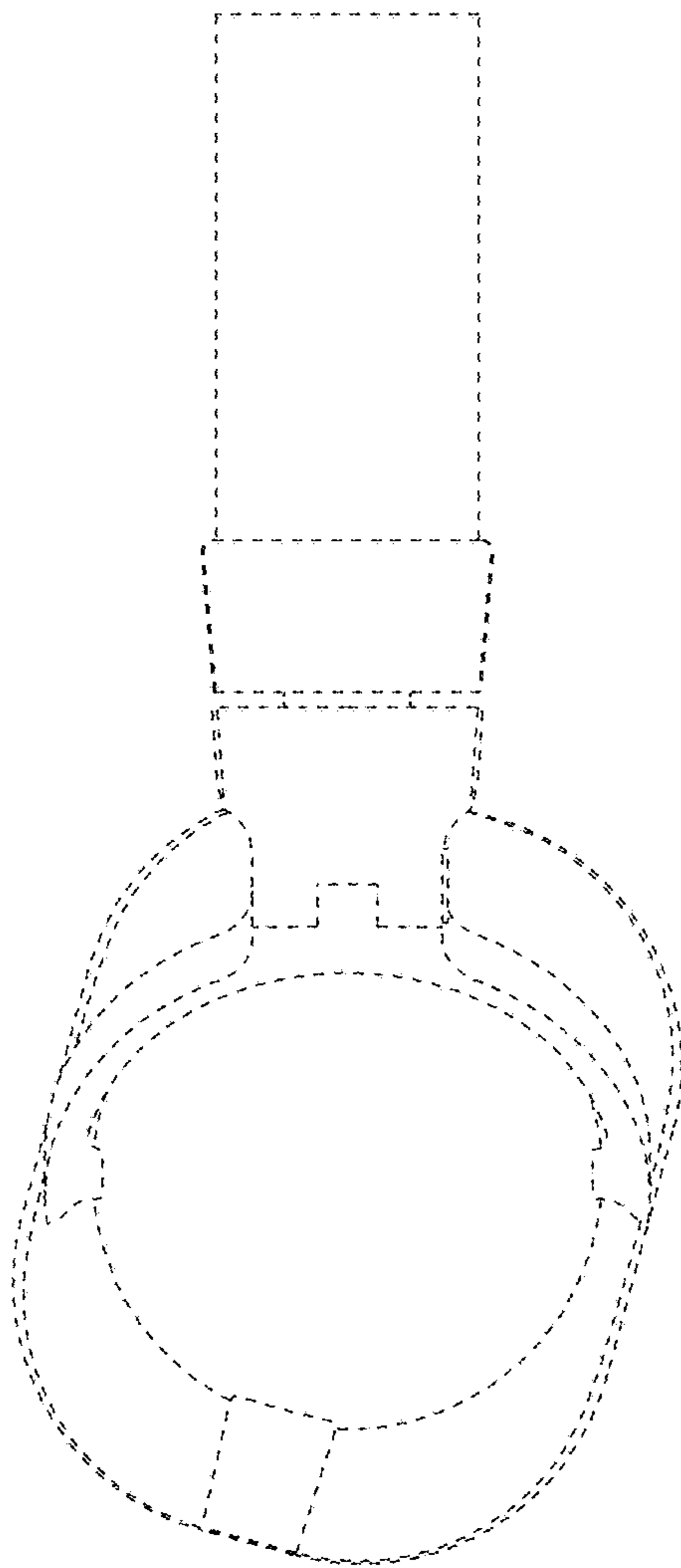


Fig. 5

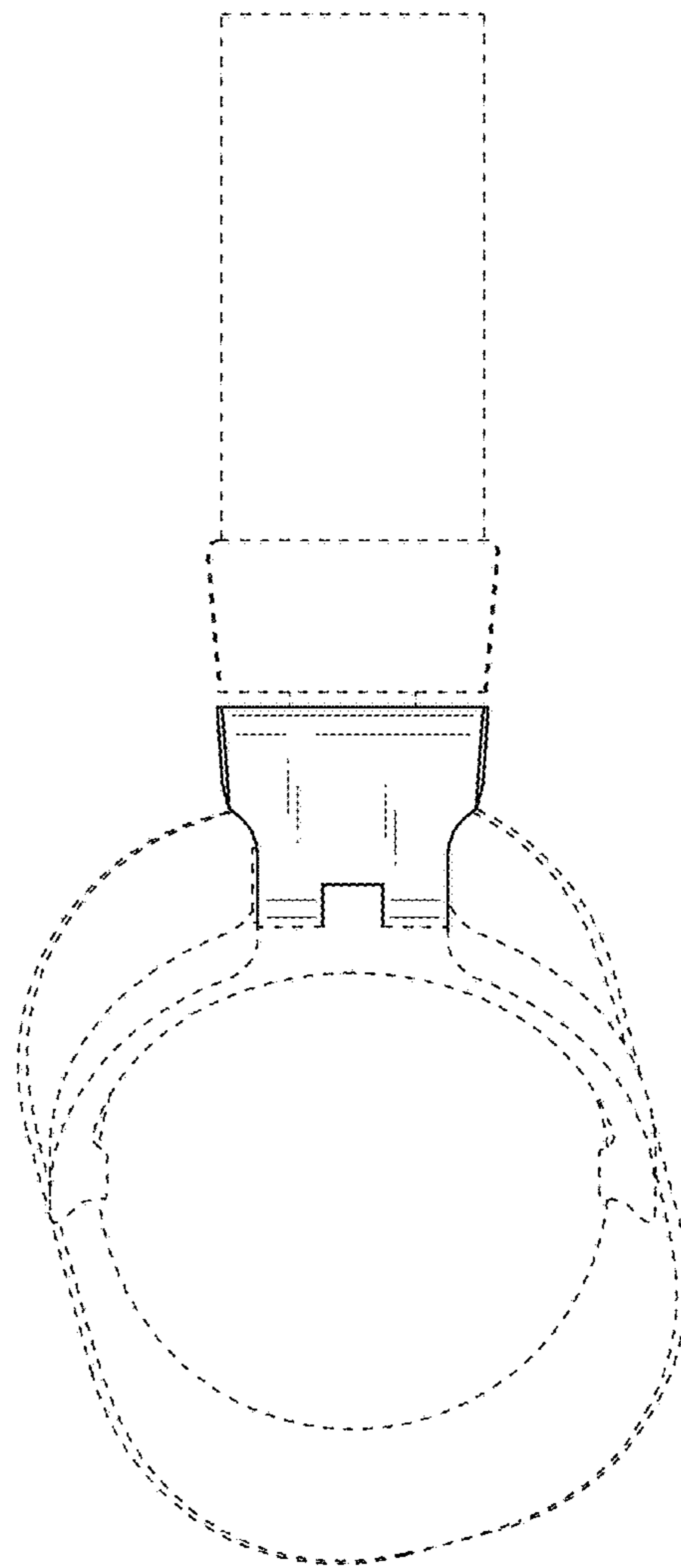


Fig. 6

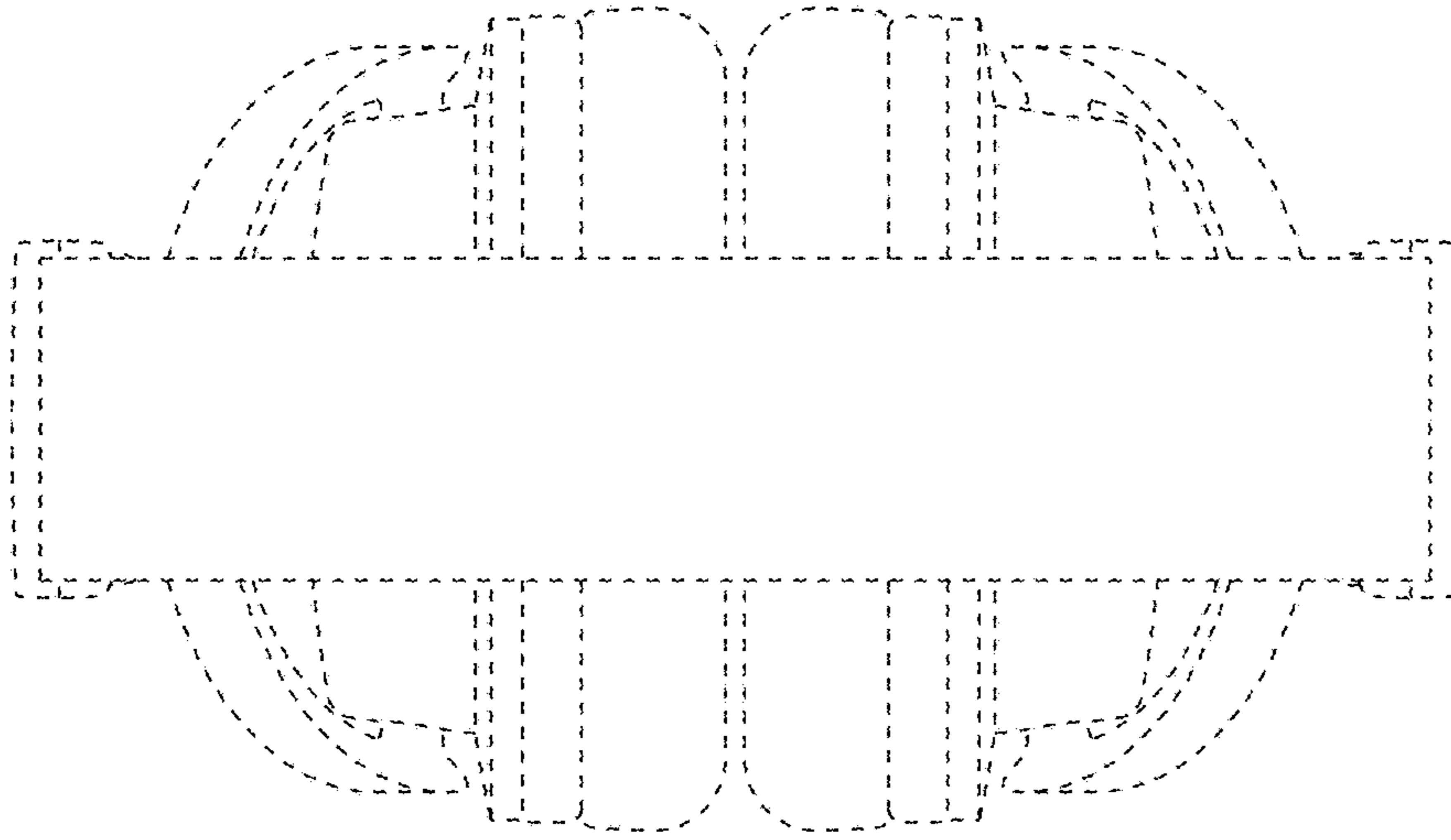


Fig. 7

