



US00D821349S

(12) **United States Design Patent**
Takechi et al.

(10) **Patent No.:** **US D821,349 S**
(45) **Date of Patent:** **** Jun. 26, 2018**

(54) **DIGITAL CONTENT PLAYER**

(71) Applicant: **vinclu Inc.**, Tokyo (JP)

(72) Inventors: **Minori Takechi**, Tokyo (JP); **Takumi Gima**, Tokyo (JP); **Hiroaki Nishimura**, Tokyo (JP)

(73) Assignee: **Gatebox Inc.** (JP)

(**) Term: **15 Years**

(21) Appl. No.: **29/595,179**

(22) Filed: **Feb. 27, 2017**

(30) **Foreign Application Priority Data**

Aug. 29, 2016 (JP) 2016-18345

(51) **LOC (11) Cl.** **14-03**

(52) **U.S. Cl.**
USPC **D14/203.3**; D14/496

(58) **Field of Classification Search**
USPC D14/496, 401, 435, 474, 483, 217, 137,
D14/138, 160, 168, 356, 203.1-203.8,
D14/507, 172, 176, 177, 189; 345/156,
345/169, 173-179, 905; 715/727-729,
715/864; 710/1, 5, 8; 713/1, 600;
455/1.1, 1.7, 73, 344-347, 93, 95,
455/3.01-3.06, 550.1, 573.1;
370/342-344; 369/1, 2, 6-12;
463/43-47; 273/148 B; D10/30, 31, 38,
D10/128; D7/399
CPC H04J 11/00; H04J 13/00; H04J 14/00
See application file for complete search history.

(56) **References Cited**

U.S. PATENT DOCUMENTS

4,579,236 A * 4/1986 Zimmermann A47J 41/0083
215/13.1
5,444,194 A * 8/1995 Reinke H04R 1/028
181/150

7,209,648 B2 * 4/2007 Barber H04N 9/7921
348/E5.108
D606,096 S * 12/2009 Bui D14/168
D686,186 S * 7/2013 Kaneko D14/168
D691,114 S * 10/2013 Manz D14/207
D692,460 S * 10/2013 Zunker D14/496
D740,857 S * 10/2015 Li D14/203.2
D748,768 S * 2/2016 Stanton D11/156
D758,136 S * 6/2016 Liotta D7/317
D794,600 S * 8/2017 Kwak D14/172

* cited by examiner

Primary Examiner — Prabhakar G Deshmukh

(74) *Attorney, Agent, or Firm* — DLA Piper LLP (US)

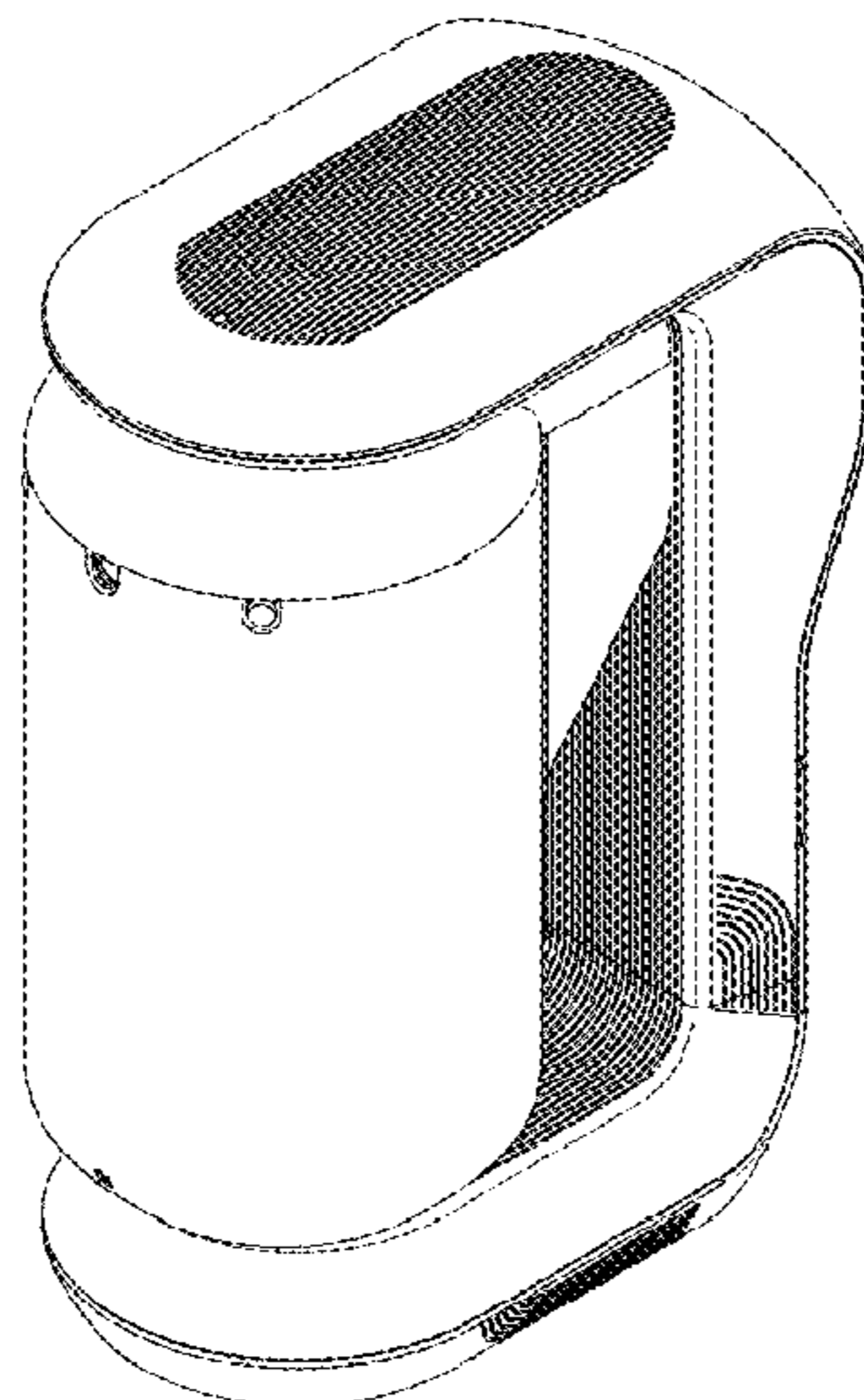
(57) **CLAIM**

The ornamental design for a digital content player, as shown and described.

DESCRIPTION

FIG. 1 is a perspective view of a digital content player showing the new design;
FIG. 2 is a top plan view of the new design;
FIG. 3 is a bottom plan view of the new design;
FIG. 4 is a front view of the new design;
FIG. 5 is a rear view of the new design;
FIG. 6 is a left side view of the new design;
FIG. 7 is a right side view of the new design; and,
FIG. 8 is a front view of the new design wherein the cylindrical portion of the new design is represented by gray shading to illustrate a transparent part.

1 Claim, 8 Drawing Sheets



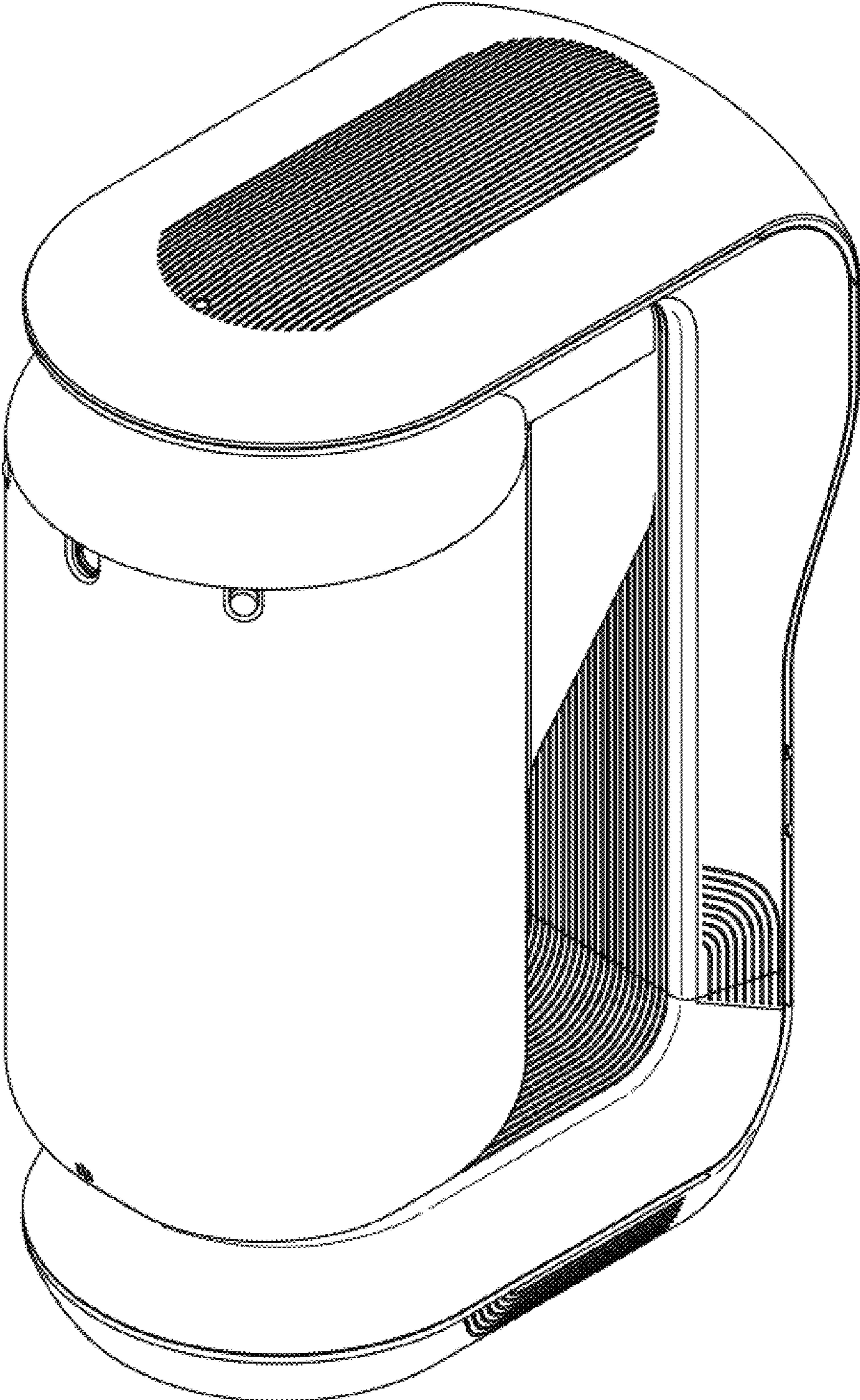


FIG. 1

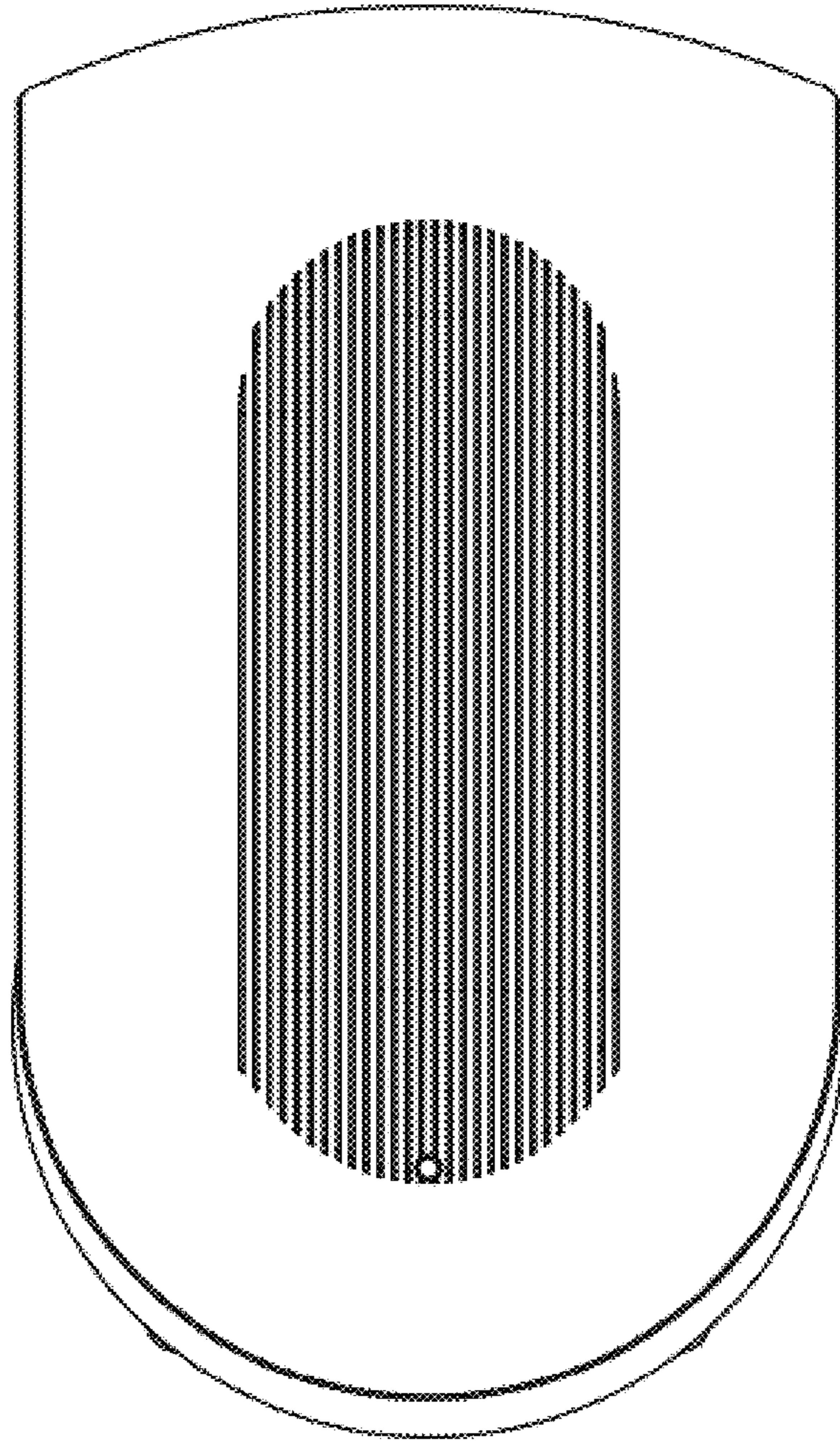


FIG. 2

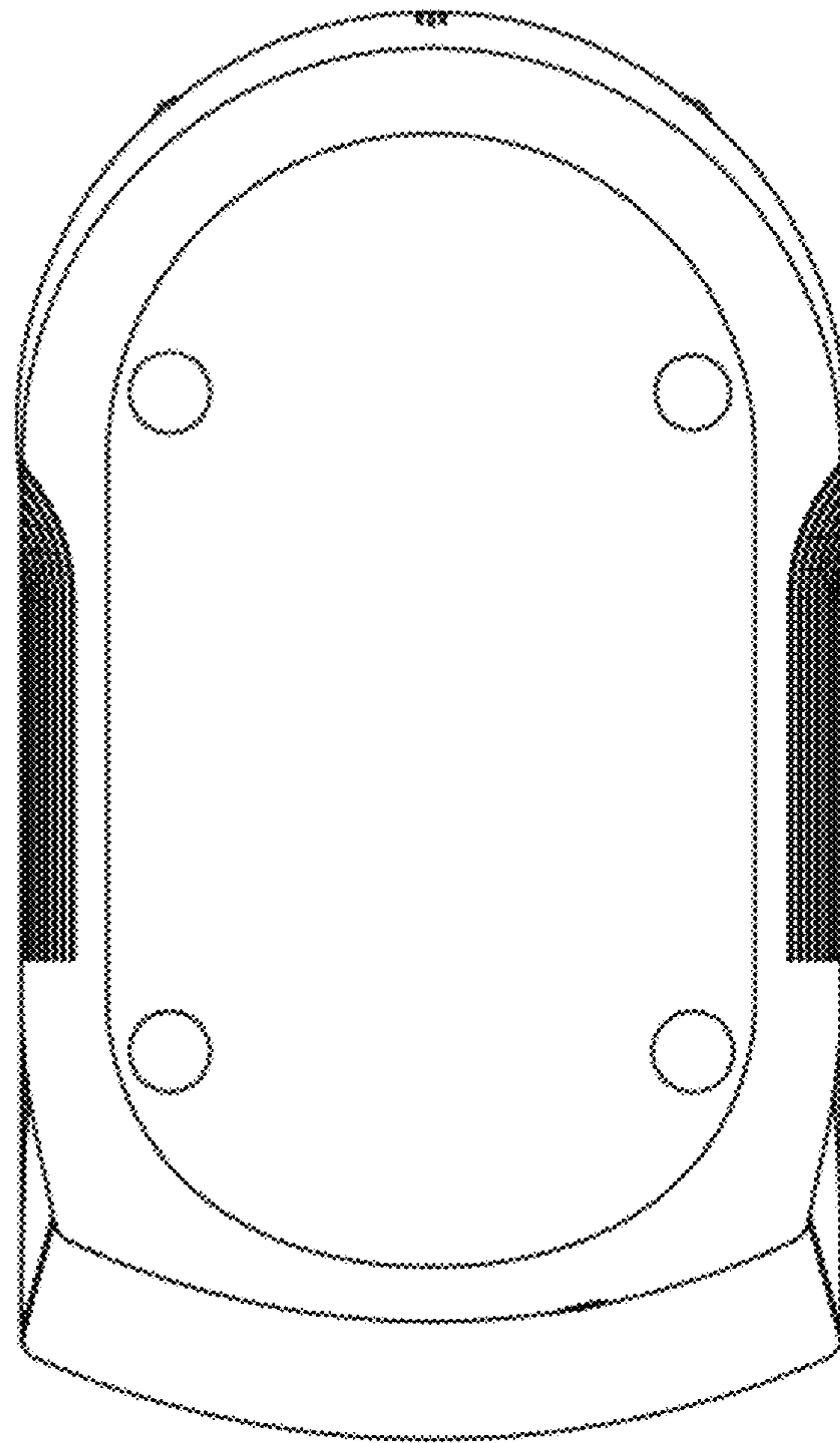


FIG. 3

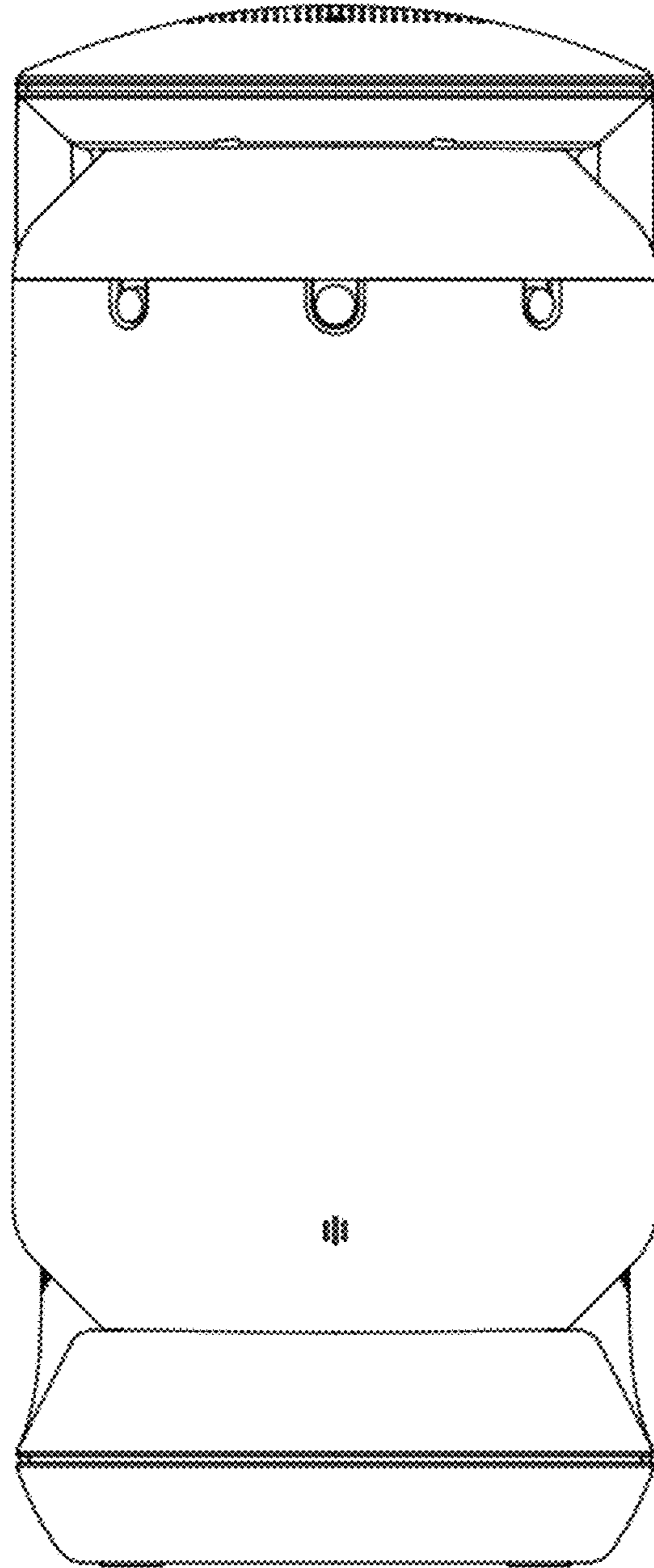


FIG. 4

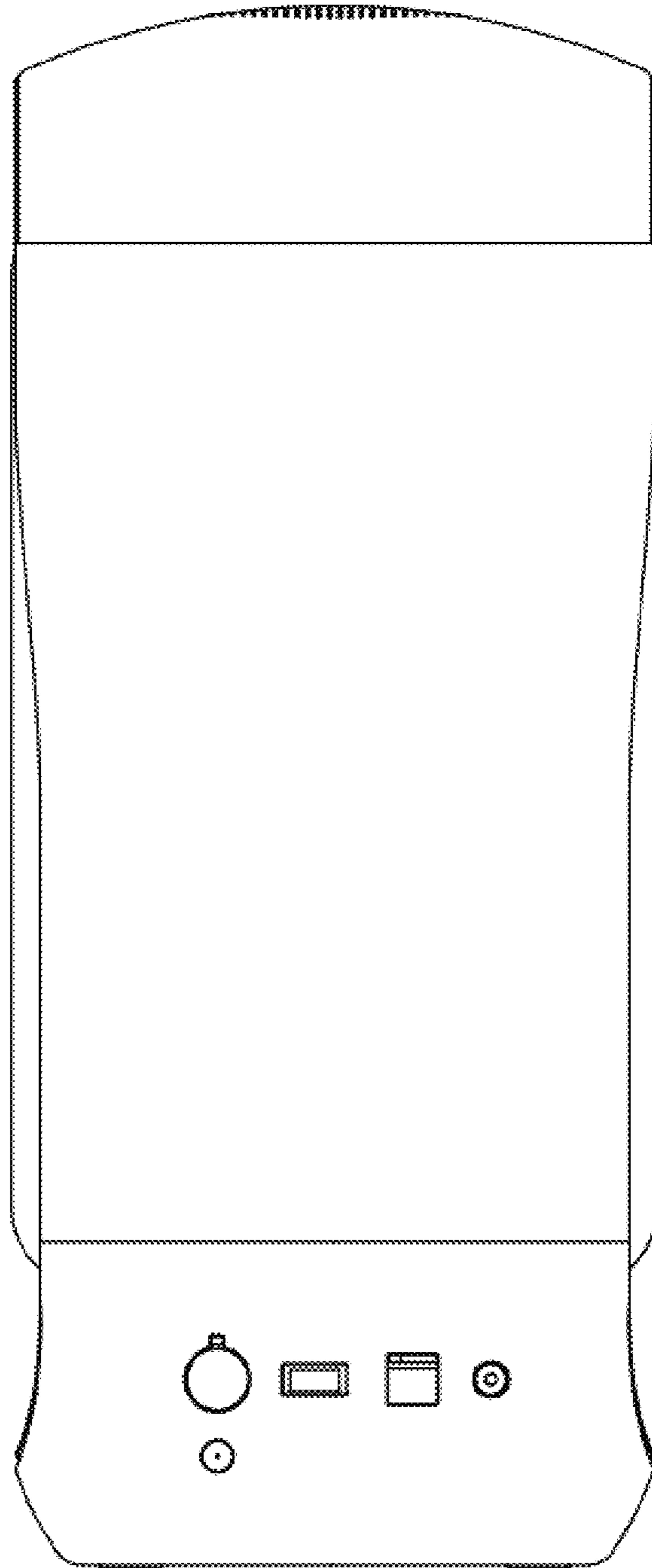


FIG. 5

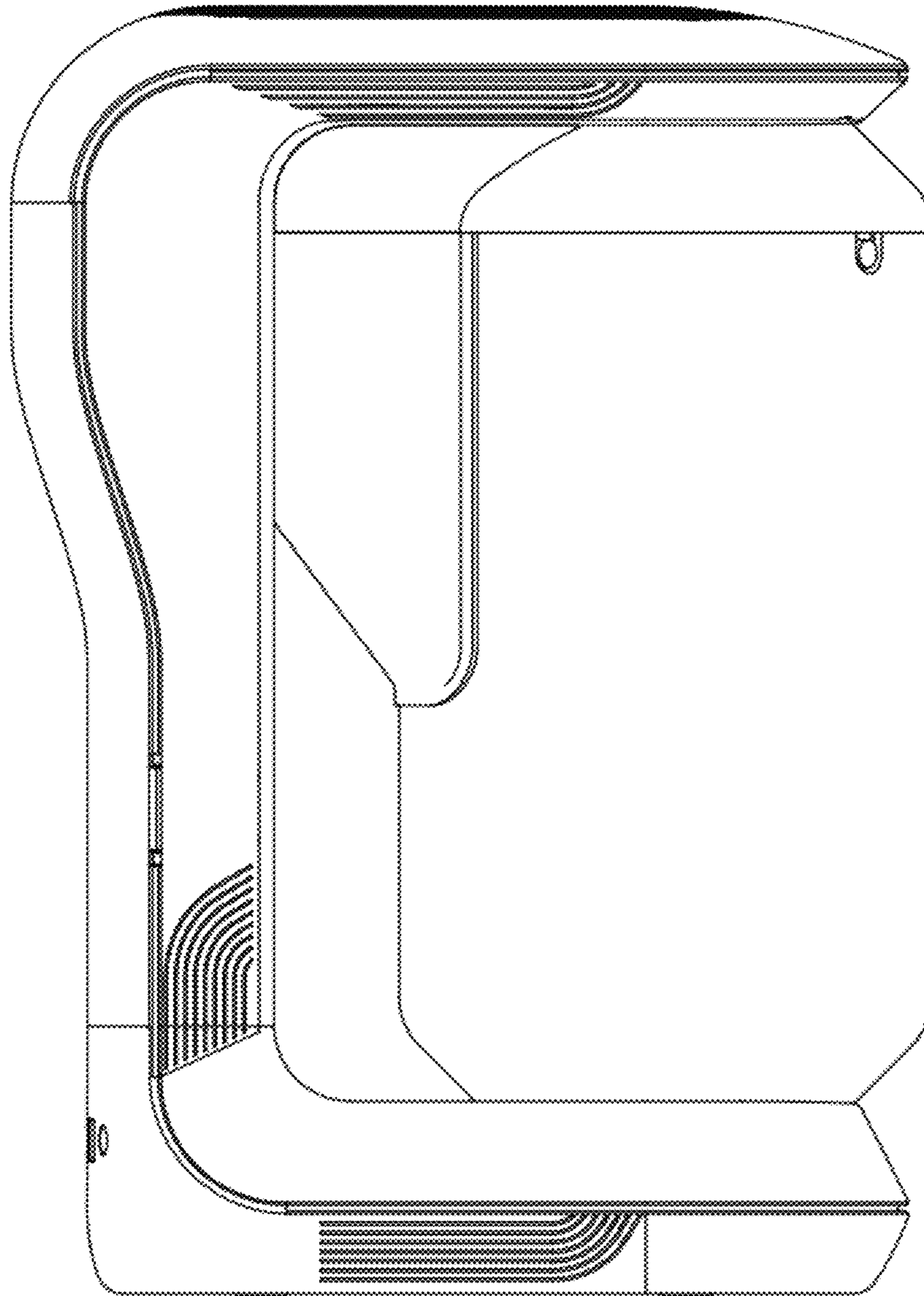


FIG. 6

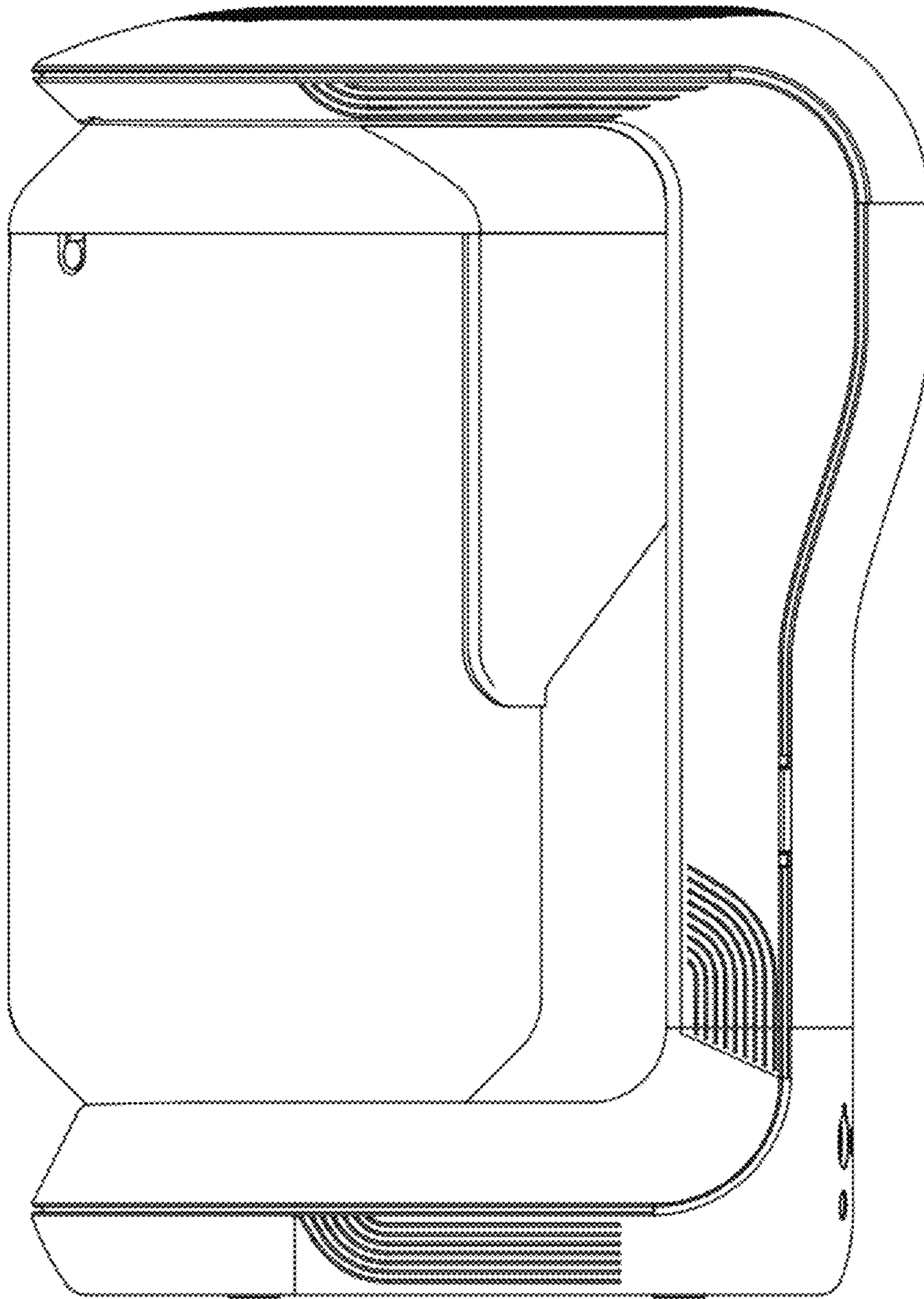


FIG. 7

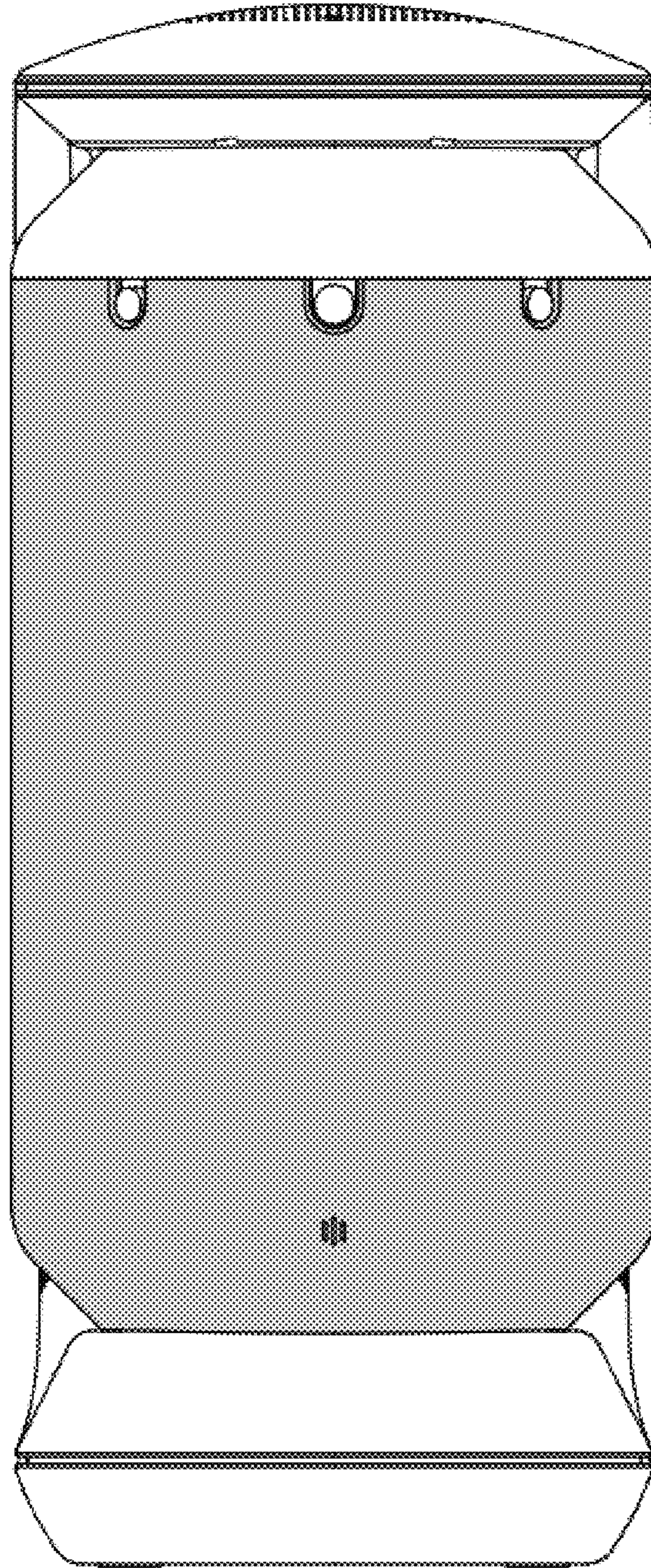


FIG. 8