



US00D821347S

(12) **United States Design Patent**
Shin

(10) **Patent No.:** **US D821,347 S**
(45) **Date of Patent:** **** Jun. 26, 2018**

(54) **MOBILE PHONE**

(71) Applicant: **LG ELECTRONICS INC.**, Seoul (KR)

(72) Inventor: **Choonghwan Shin**, Seoul (KR)

(73) Assignee: **LG ELECTRONICS INC.**, Seoul (KR)

(**) Term: **15 Years**

(21) Appl. No.: **29/574,759**

(22) Filed: **Aug. 18, 2016**

(30) **Foreign Application Priority Data**

Feb. 19, 2016 (KR) 30-2016-0007816

(51) **LOC (11) Cl.** **14-03**

(52) **U.S. Cl.**
USPC **D14/138 R; D14/138 AD**

(58) **Field of Classification Search**
USPC D14/138 AA, 138 AB, 138 AC, 138 AD,
D14/138 C, 138 G, 138 R, 248, 315-318,
D14/341, 342, 345, 346, 203.1, 203.3,
D14/203.7, 218, 250; D21/329
CPC . G06F 1/1652; H04M 1/0214; H04M 1/0218;
H04M 1/0268; H04M 1/027; H04M
1/0202; H04M 1/0279; H04M 1/0235;
H04M 1/0237; H04M 1/0239; H04M
1/0266; H04M 1/0295
See application file for complete search history.

(56) **References Cited**

U.S. PATENT DOCUMENTS

D641,750 S * 7/2011 Hu D14/341
D743,960 S * 11/2015 Lee D14/341
(Continued)

FOREIGN PATENT DOCUMENTS

IN 270477-0001 * 3/2015

OTHER PUBLICATIONS

eRoll Flexible Paper Thin Screen, by Admin on NewHiTech Gadgets, Feb. 26, 2014, [online], [site visited Nov. 1, 2017]. Retrieved from url: http://www.newhitechgadgets.com/eroll-flexible-paper-thin-screen/ (Year: 2014).*

(Continued)

Primary Examiner — Jeffrey D Asch
Assistant Examiner — Tracey J Bell

(74) *Attorney, Agent, or Firm* — Birch, Stewart, Kolasch & Birch, LLP

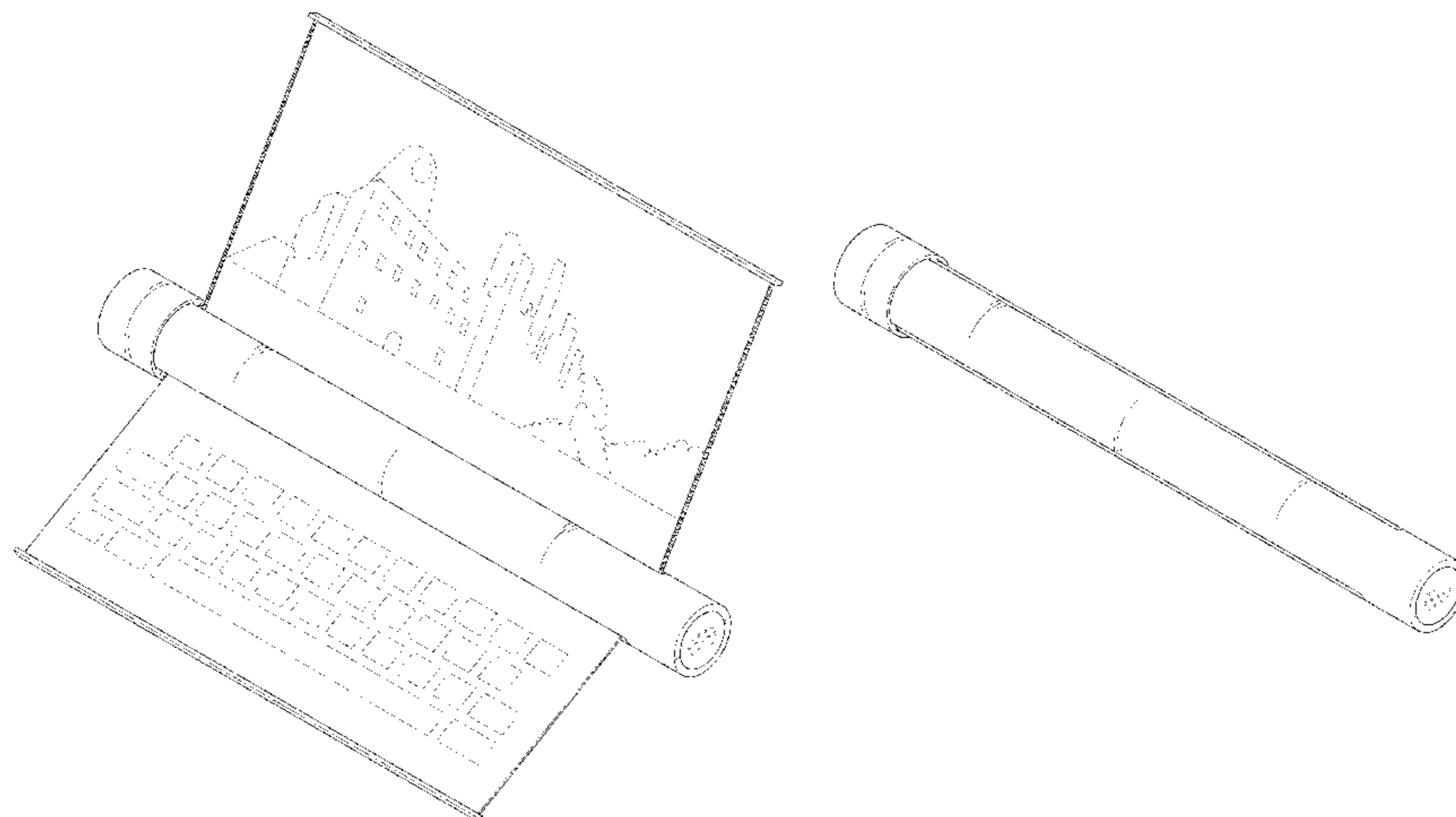
(57) **CLAIM**

The ornamental design for a mobile phone, as shown and described.

DESCRIPTION

FIG. 1 is a perspective view of a mobile phone showing my new design;
FIG. 2 is a front view thereof;
FIG. 3 is a rear view thereof;
FIG. 4 is a left side view thereof;
FIG. 5 is a right side view thereof;
FIG. 6 is a top plan view thereof;
FIG. 7 is a bottom plan view thereof;
FIG. 8 is a perspective view thereof in which both the flexible display parts have been partially rolled inward;
FIG. 9 is a perspective view thereof showing an example of the usage of the subject design;
FIG. 10 is a perspective view thereof in which the both flexible display parts have been completely rolled inward;
FIG. 11 is a front view of FIG. 10;
FIG. 12 is a rear view of FIG. 10;
FIG. 13 is a left side view of FIG. 10;
FIG. 14 is a right side view of FIG. 10;
FIG. 15 is a top plan view of FIG. 10; and,
FIG. 16 is a bottom plan view of FIG. 10.
The broken lines depict portions of the mobile phone that form no part of the claimed design. The broken lines in FIG. 9 show an example of the mobile phone in a state of operation. The broken lines form no part of the claimed design.

1 Claim, 15 Drawing Sheets



(56)

References Cited

U.S. PATENT DOCUMENTS

D758,988 S * 6/2016 An D14/138 R
 D798,261 S * 9/2017 Lee D14/138 AD
 2003/0048256 A1 * 3/2003 Salmon G06F 1/1613
 345/168
 2005/0110702 A1 * 5/2005 Aoki G06F 1/1601
 345/30
 2008/0086925 A1 * 4/2008 Yang H04M 1/0268
 40/610
 2012/0038613 A1 * 2/2012 Choi G06F 1/1652
 345/211
 2015/0340004 A1 * 11/2015 Pang G09G 5/00
 345/205
 2016/0079329 A1 * 3/2016 Lee G06F 1/1643
 257/40
 2016/0112667 A1 * 4/2016 Park G06F 1/1601
 348/739
 2016/0202729 A1 * 7/2016 Lee G06F 1/1652
 361/750
 2016/0205791 A1 * 7/2016 Kim G06F 1/1652
 361/679.01
 2016/0255713 A1 * 9/2016 Kim G02F 1/133305
 361/749

2016/0299531 A1 * 10/2016 Vertegaal G06F 1/1666
 2017/0090659 A1 * 3/2017 Shiozaki G06F 1/1652
 2017/0126866 A1 * 5/2017 Han H04M 1/0268
 2017/0168769 A1 * 6/2017 Jeon G06F 3/1446
 2017/0196103 A1 * 7/2017 Cho H05K 5/0017
 2017/0262070 A1 * 9/2017 Kwak G06F 3/0487

OTHER PUBLICATIONS

Samsung Flexible Roll Tablet Concept Rolls up Into a Cylindrical Body, by Kelvin on ConceptPhones, Jun. 17, 2015, [online], [site visited Oct. 24, 2017]. Retrieved from url:<https://www.concept-phones.com/samsung/samsung-flexible-roll-tablet-concept-rolls-cylindrical-body/> (Year: 2015).*

Samsung One Flexible Display Phone is Pulled Out of a Pen, by Thyrstan on Concept Phones, Aug. 12, 2012, [online], [site visited Oct. 24, 2017]. Retrieved from url:<https://www.concept-phones.com/samsung/samsung-flexible-display-phone-pulled-pen/> (Year: 2012).*

Youm Flexible OLED Display Commercial: Samsung CES 2013, Jan. 9, 2013, [online], [site visited Nov. 2, 2017]. Retrieved from url: <https://www.youtube.com/watch?v=6OYTyl3ipgk> (Year: 2013).*

* cited by examiner

FIG. 1

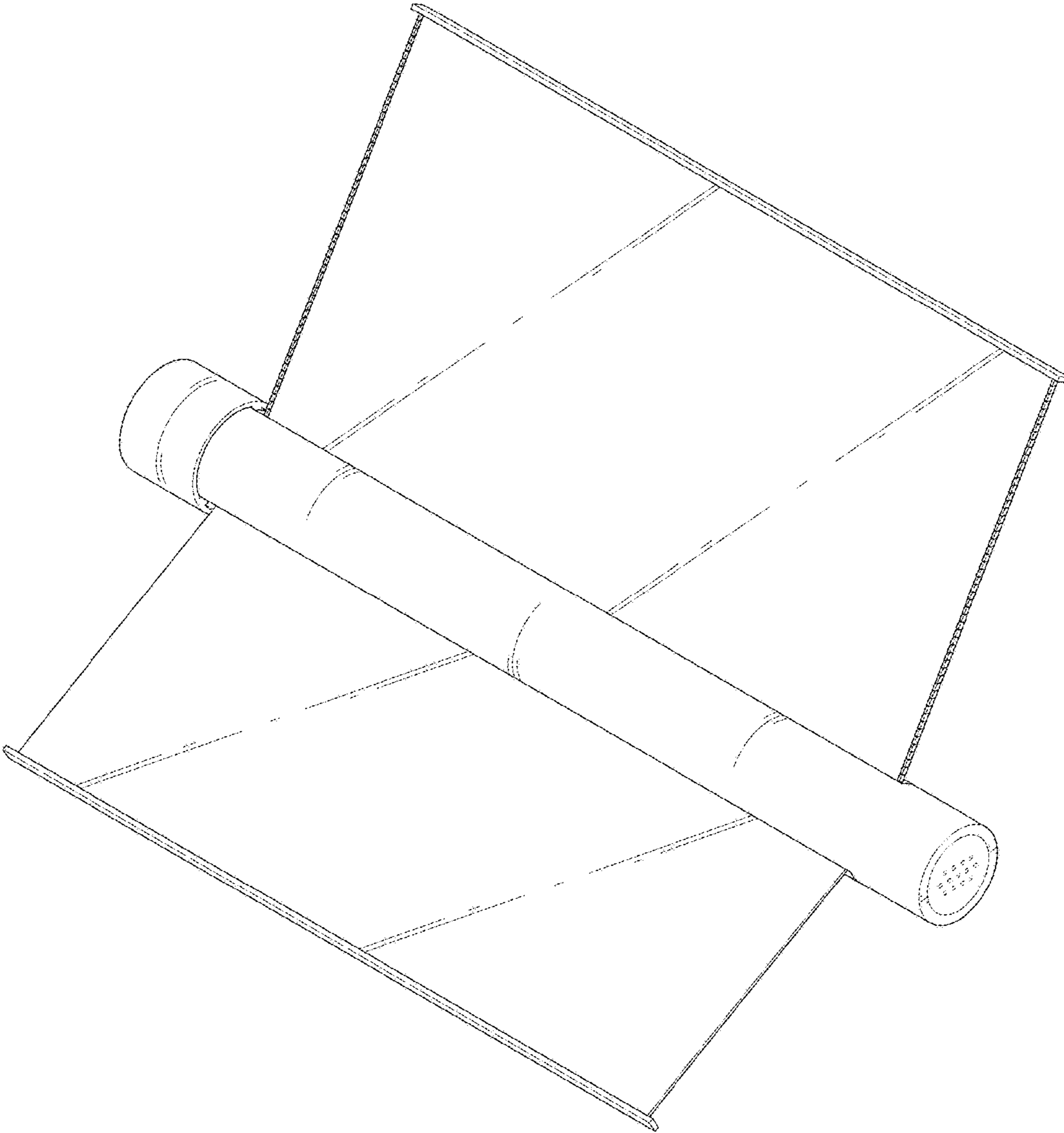


FIG. 2

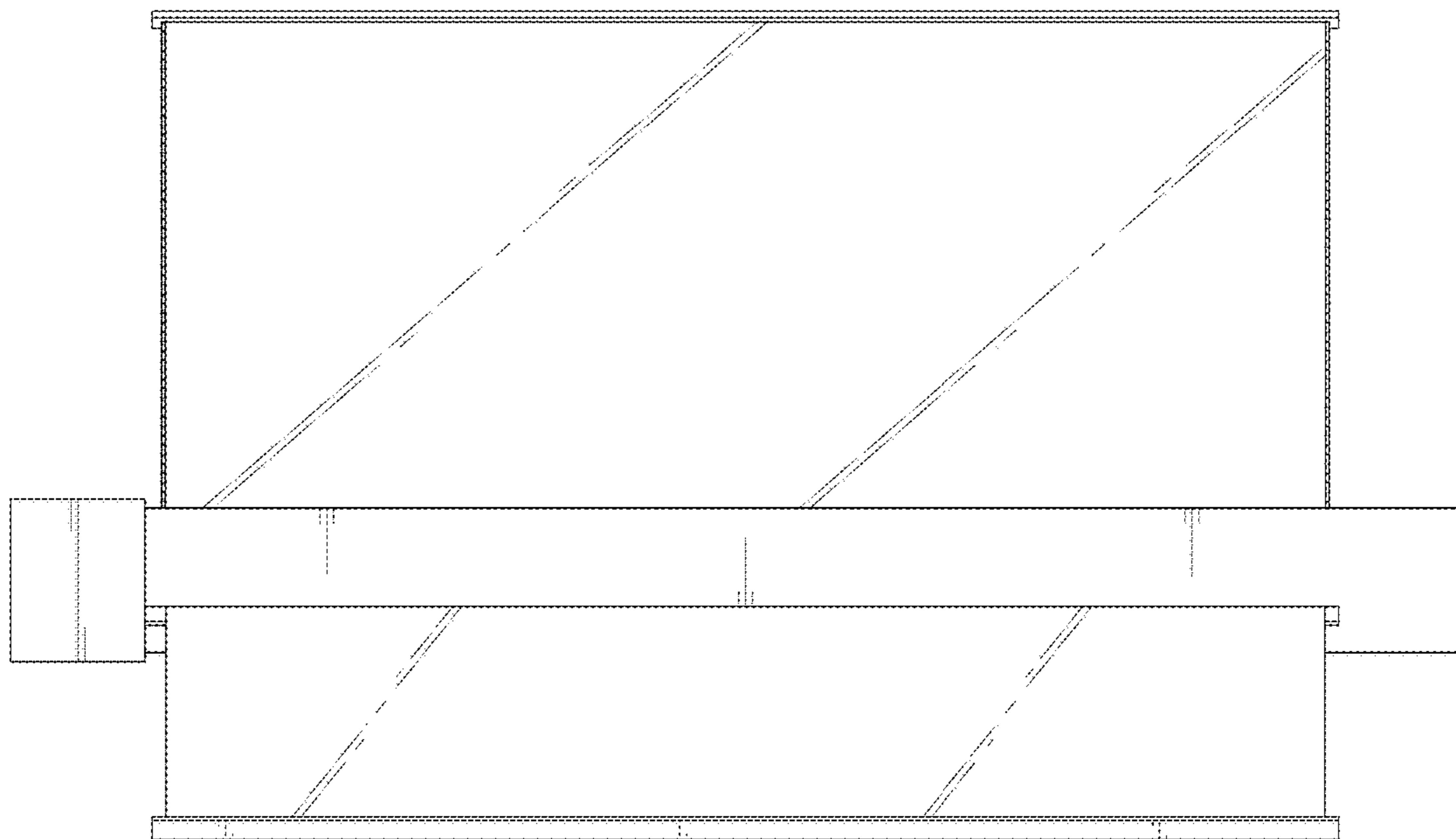


FIG. 3

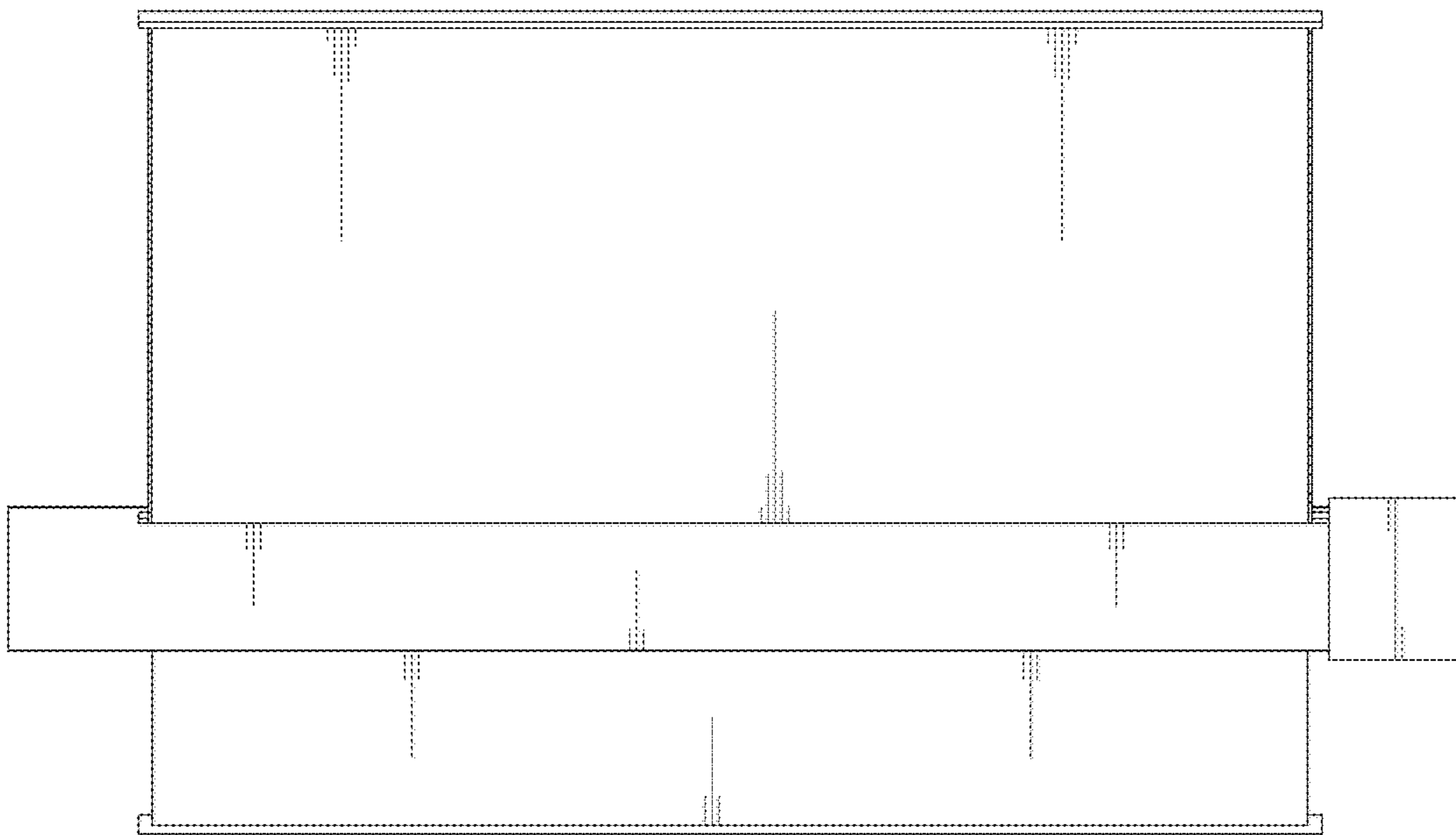


FIG. 4

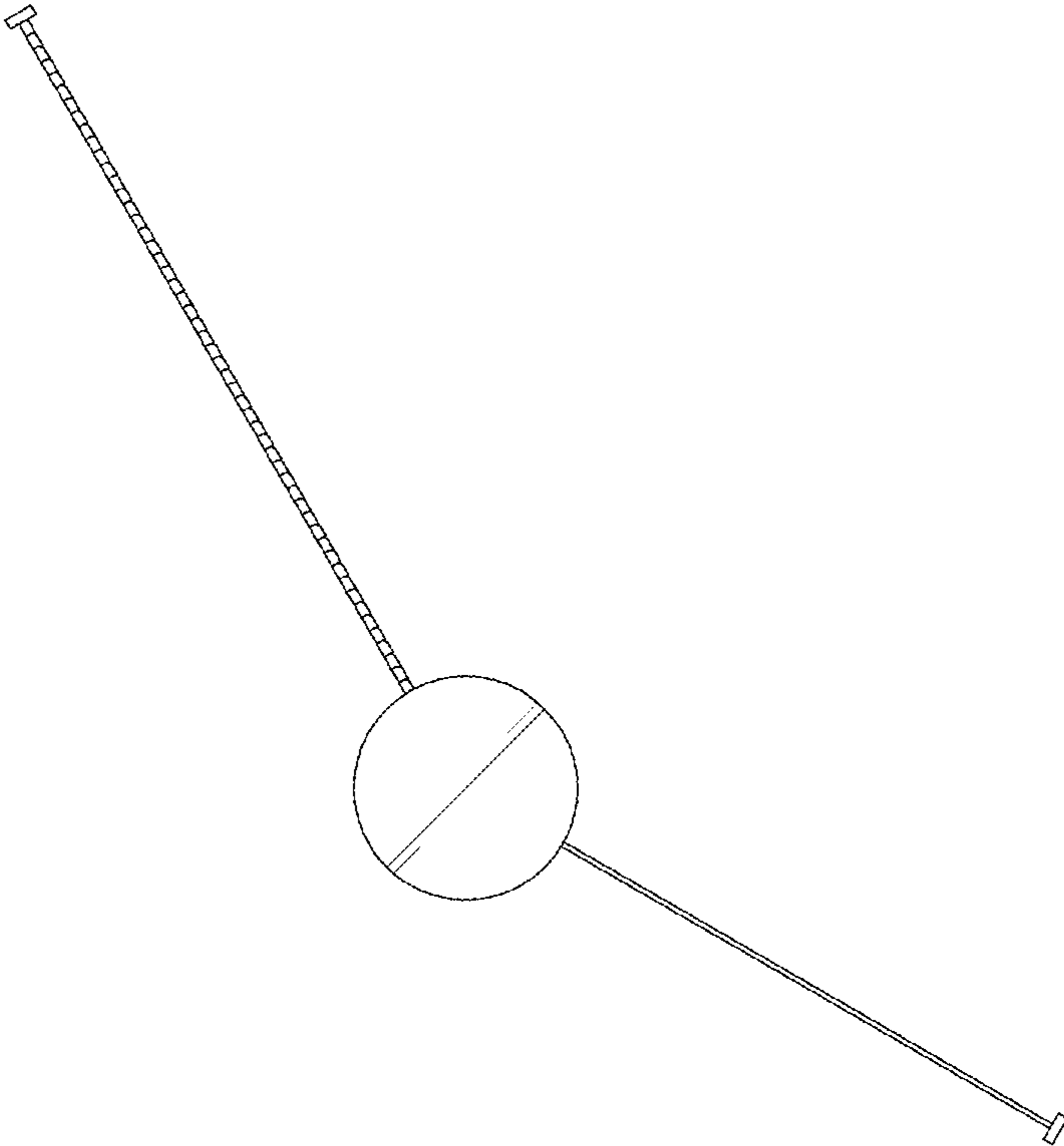


FIG. 5

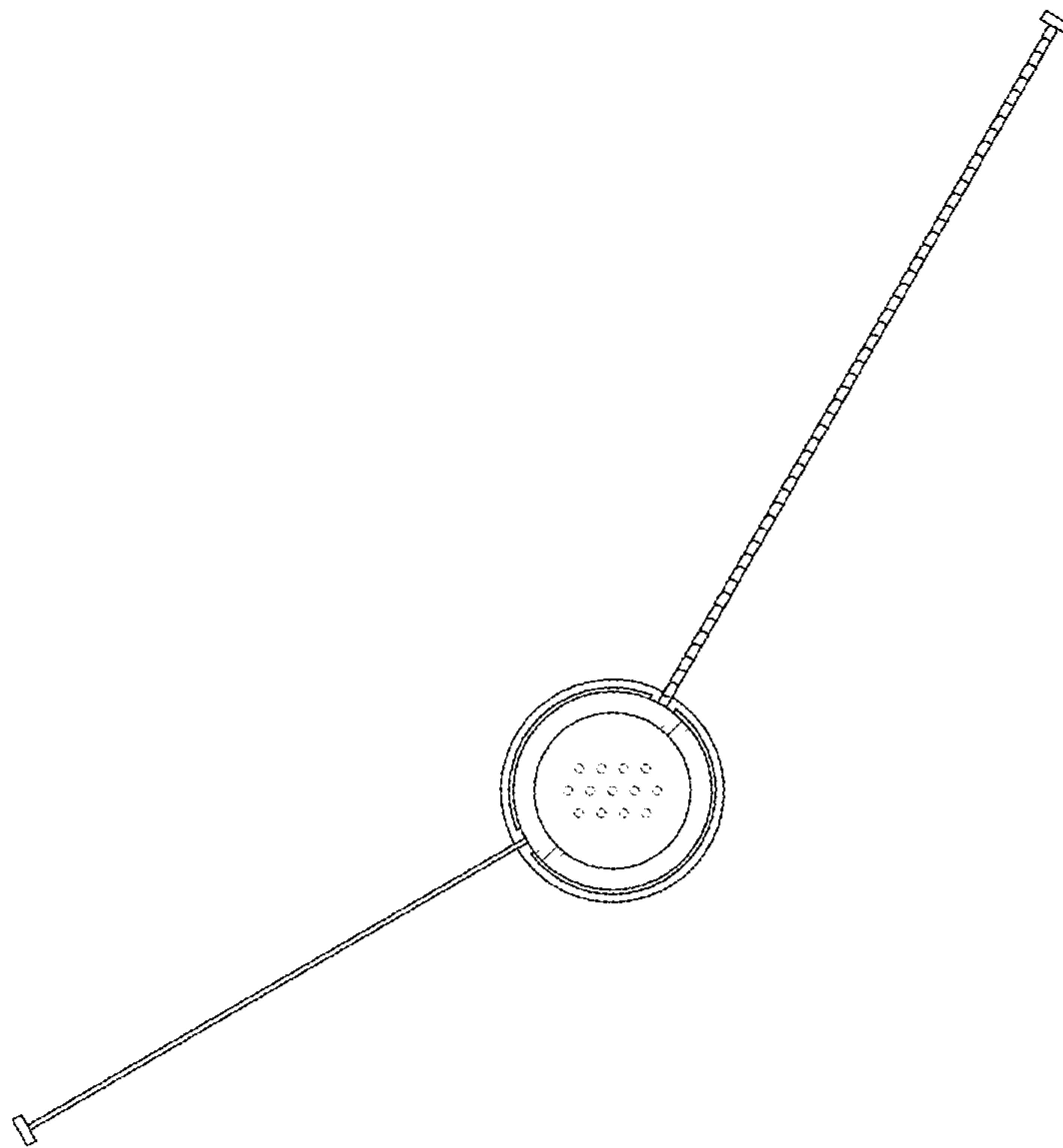


FIG. 6

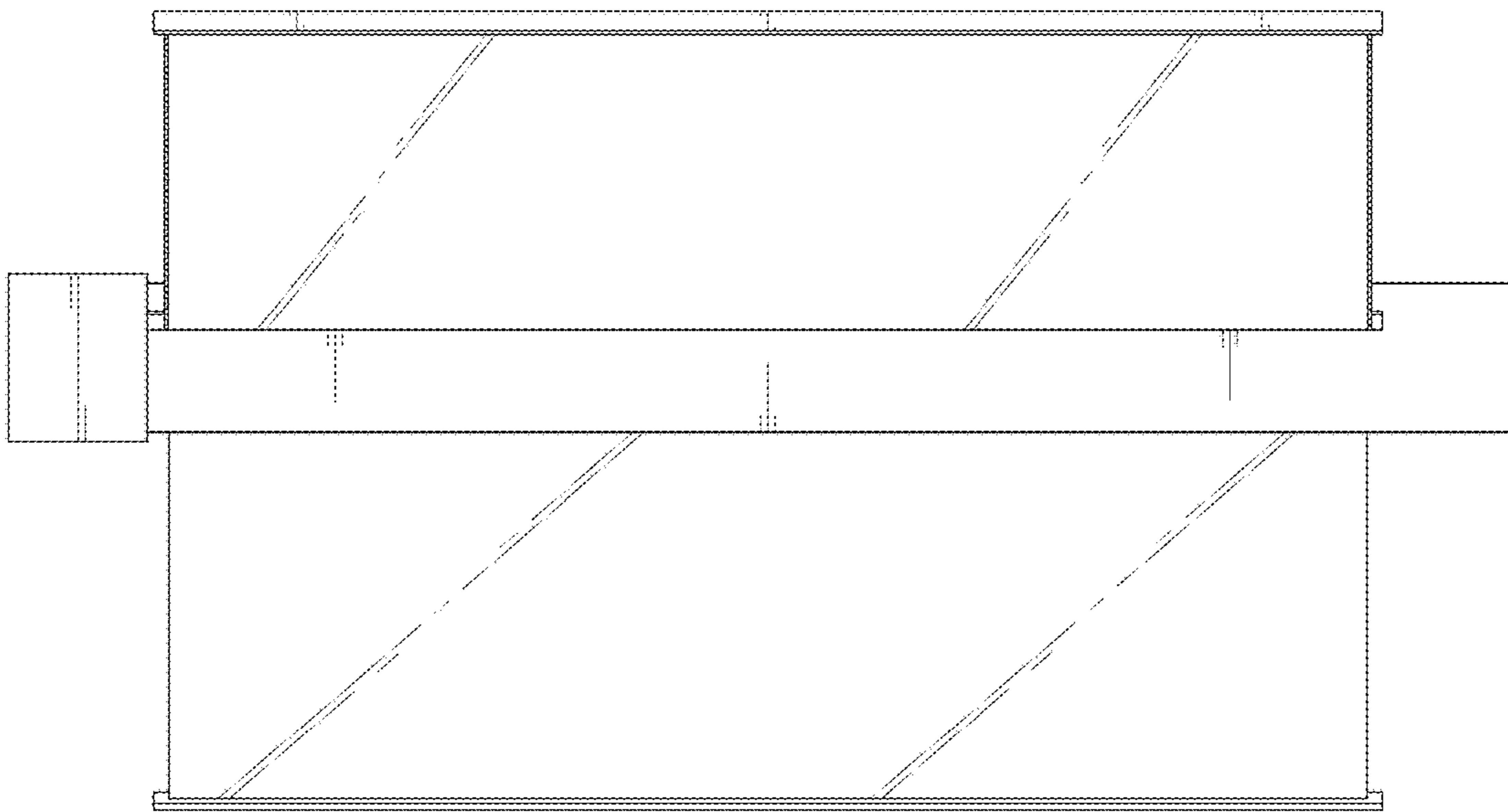


FIG. 7

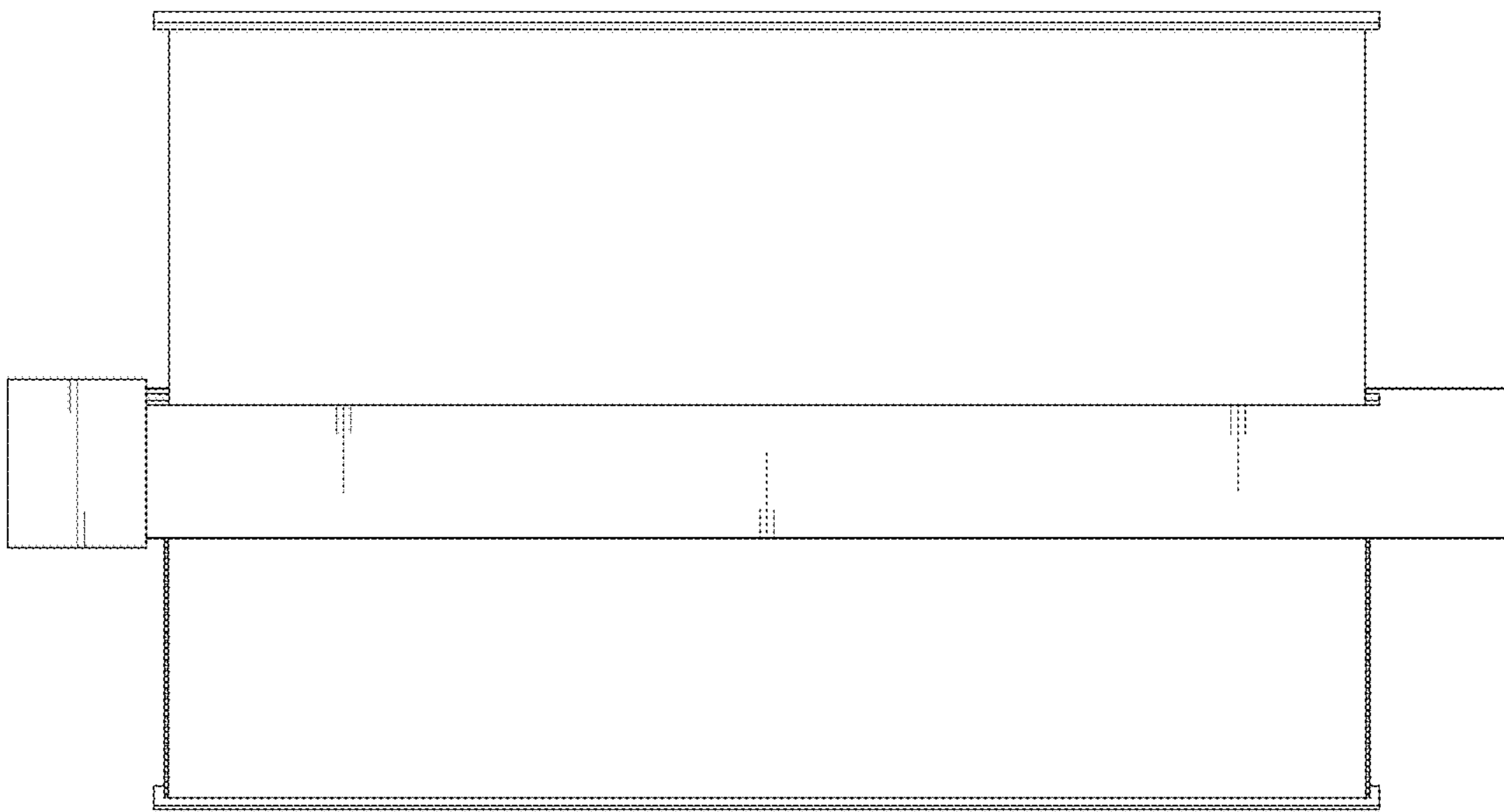


FIG. 8

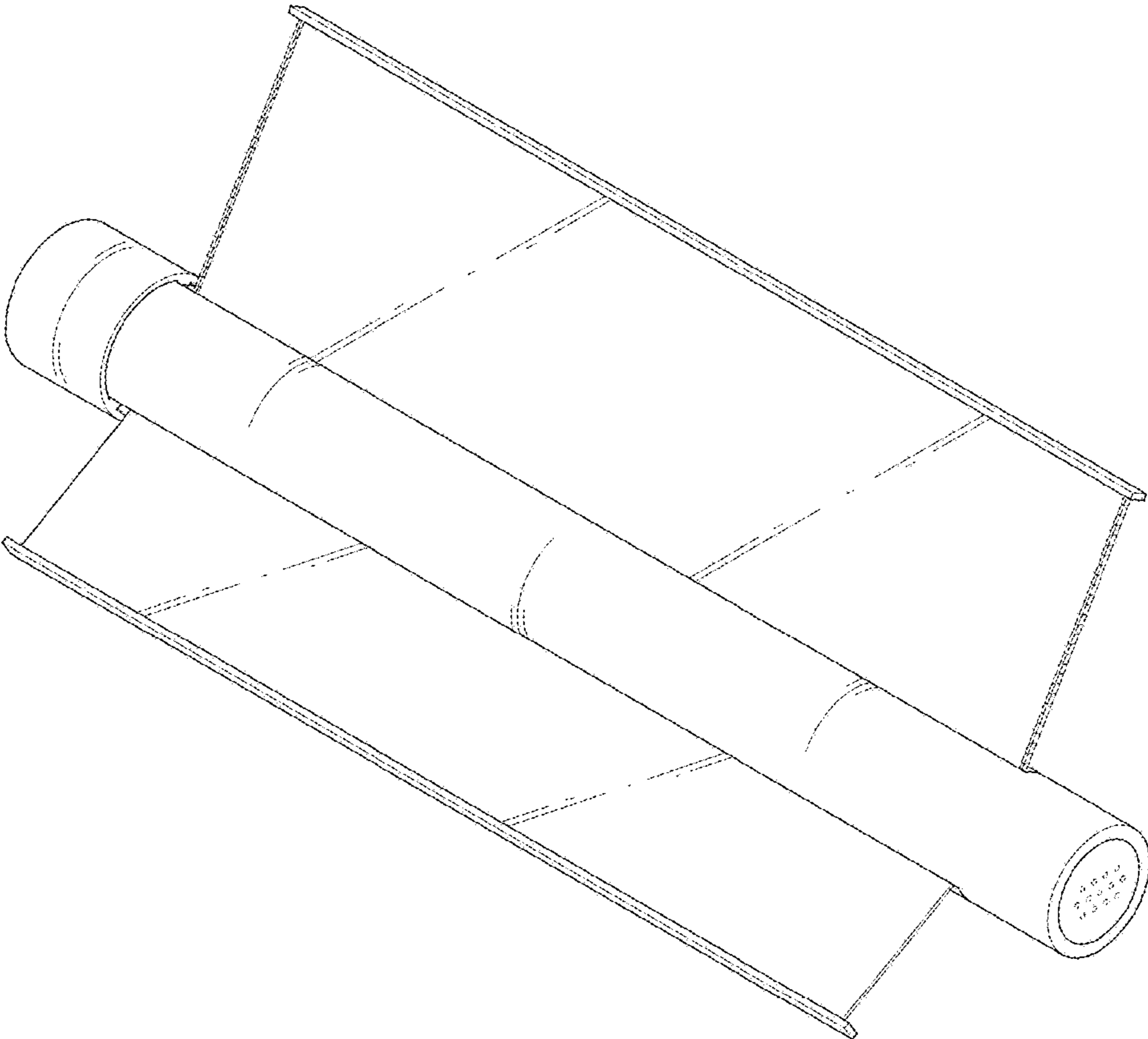


FIG. 9

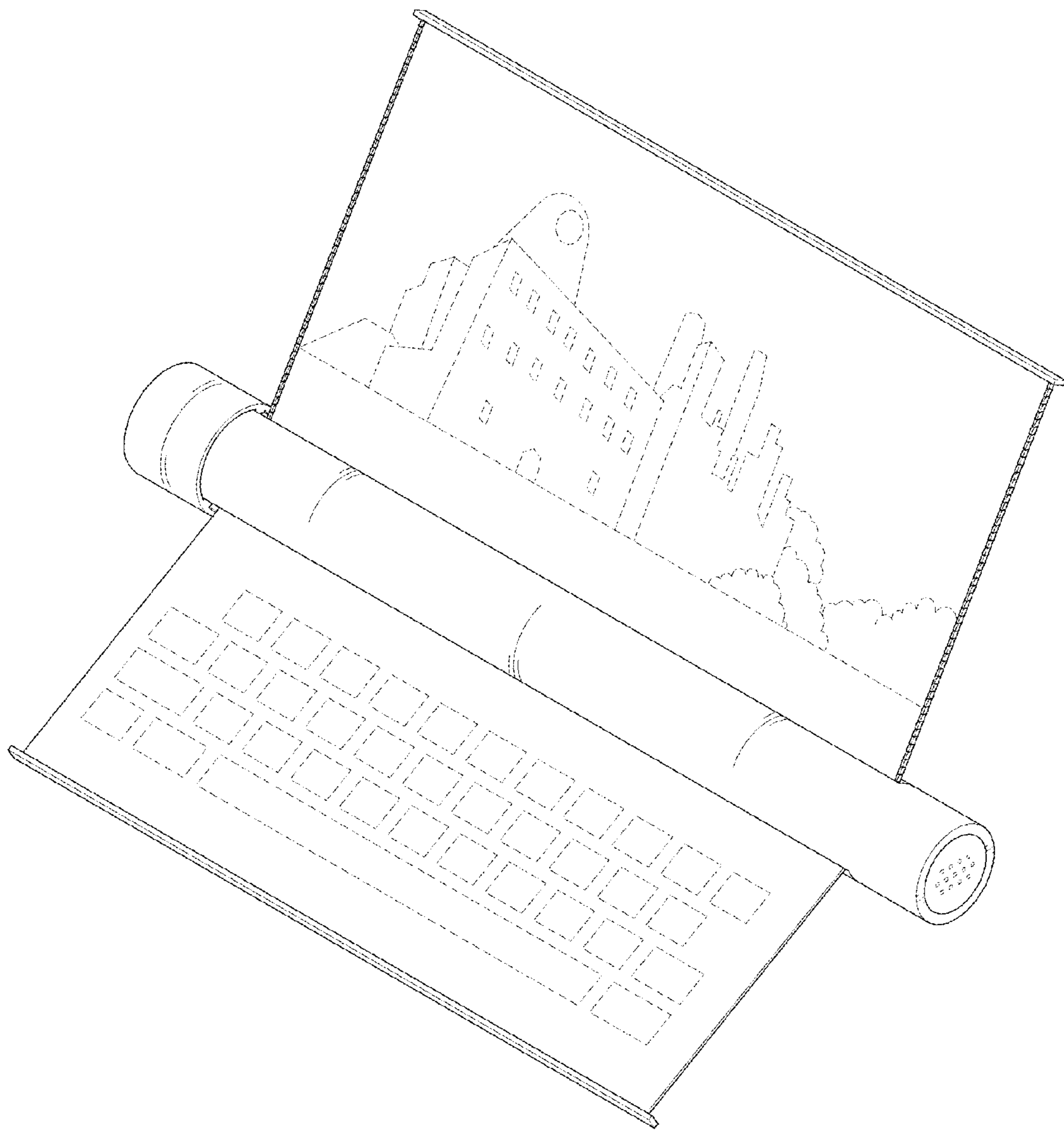


FIG. 10

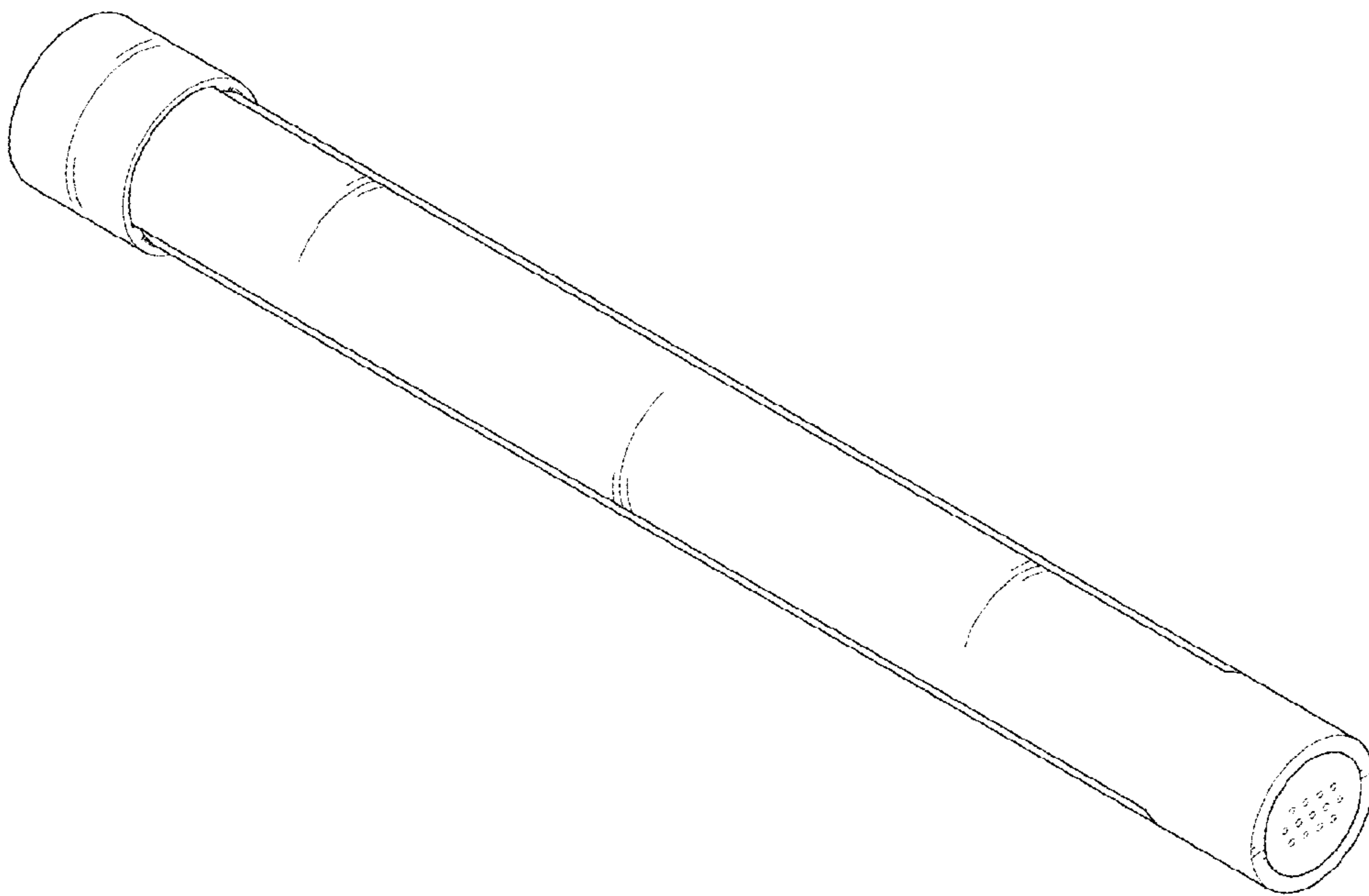


FIG. 11

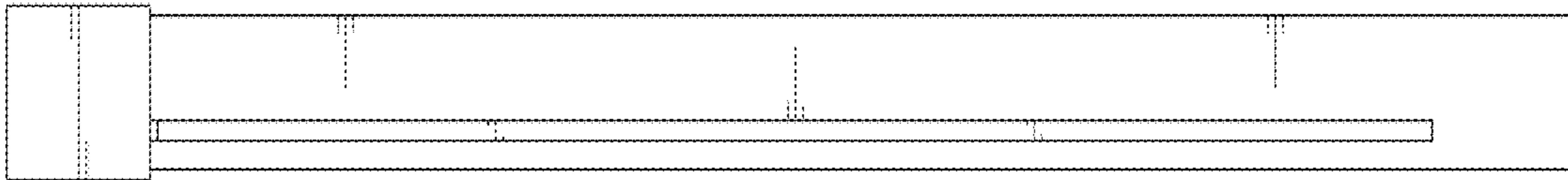


FIG. 12

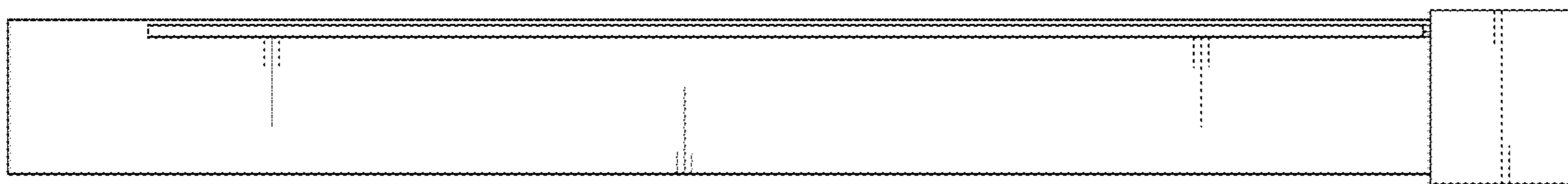


FIG. 13

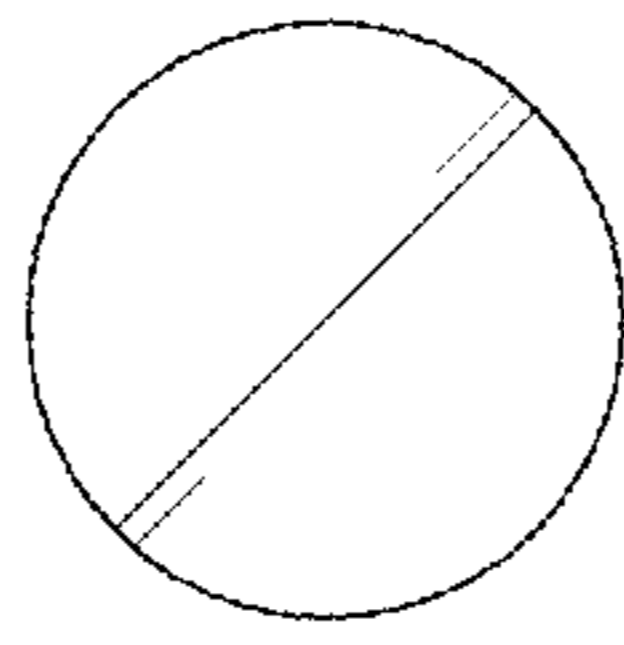


FIG. 14

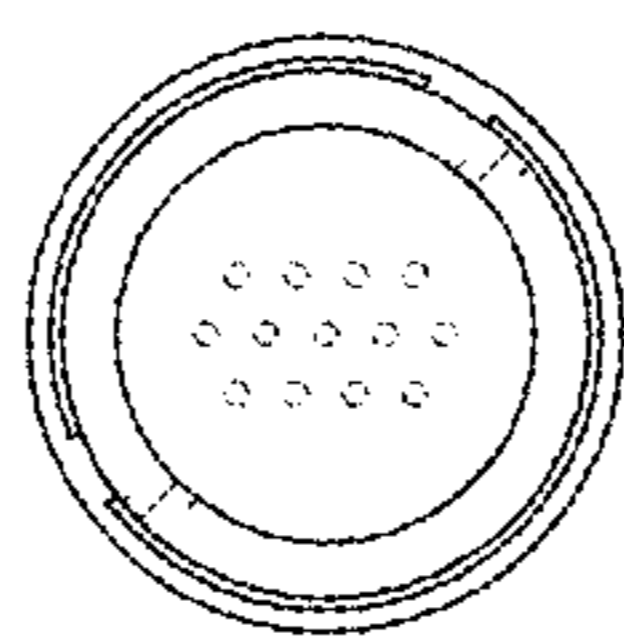


FIG. 15

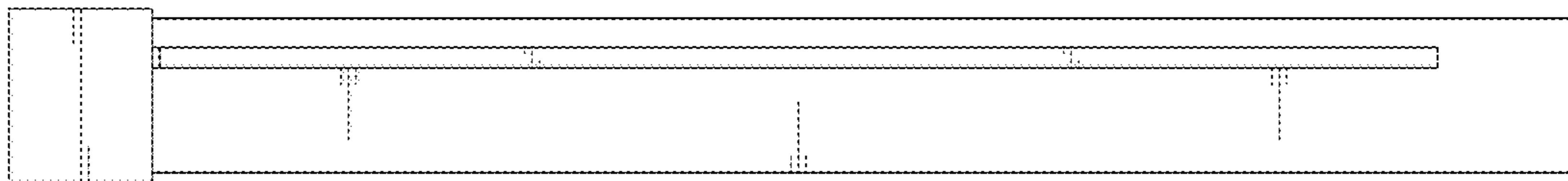


FIG. 16

