



US00D821342S

(12) **United States Design Patent** (10) **Patent No.:** **US D821,342 S**
Kim et al. (45) **Date of Patent:** **** *Jun. 26, 2018**

(54) **TELEVISION RECEIVER**

- (71) Applicant: **LG ELECTRONICS INC.**, Seoul (KR)
- (72) Inventors: **Byungsoo Kim**, Seoul (KR); **Seongahn Jeon**, Seoul (KR); **Sangho Lee**, Seoul (KR); **Hyuntae Ahn**, Seoul (KR)
- (73) Assignee: **LG ELECTRONICS INC.**, Seoul (KR)
- (*) Notice: This patent is subject to a terminal disclaimer.
- (**) Term: **15 Years**

(21) Appl. No.: **35/501,692**

(22) Filed: **Apr. 12, 2016**

(80) **Hague Agreement Data**

Int. Filing Date: **Apr. 12, 2016**
 Int. Reg. No.: **DM/091172**
 Int. Reg. Date: **Apr. 12, 2016**
 Int. Reg. Pub. Date: **Oct. 14, 2016**

(30) **Foreign Application Priority Data**

Oct. 13, 2015 (KR) 30-2015-0051277

(51) **LOC (11) Cl.** **14-03**

(52) **U.S. Cl.**
USPC **D14/126**

(58) **Field of Classification Search**

USPC D14/125-134, 159, 239, 341, 342, 346,
 D14/347, 336, 371, 374-377, 420, 426,
 (Continued)

(56) **References Cited**

U.S. PATENT DOCUMENTS

D533,170 S * 12/2006 Yamamoto D14/239
 D550,636 S * 9/2007 DeMaio D14/126
 (Continued)

OTHER PUBLICATIONS

The 10 most outrageous TVs of CES 2016, announced Jan. 7, 2016 [online], [site visited Jun. 20, 2017]. Available from Internet, URL: <<http://www.techhive.com/article/3019887/ces/the-10-most-outrageous-tvs-of-ces-2016.html>>.*

(Continued)

Primary Examiner — Barbara Fox
Assistant Examiner — Dana K Weiland

(74) *Attorney, Agent, or Firm* — Birch, Stewart, Kolasch & Birch, LLP

(57) **CLAIM**

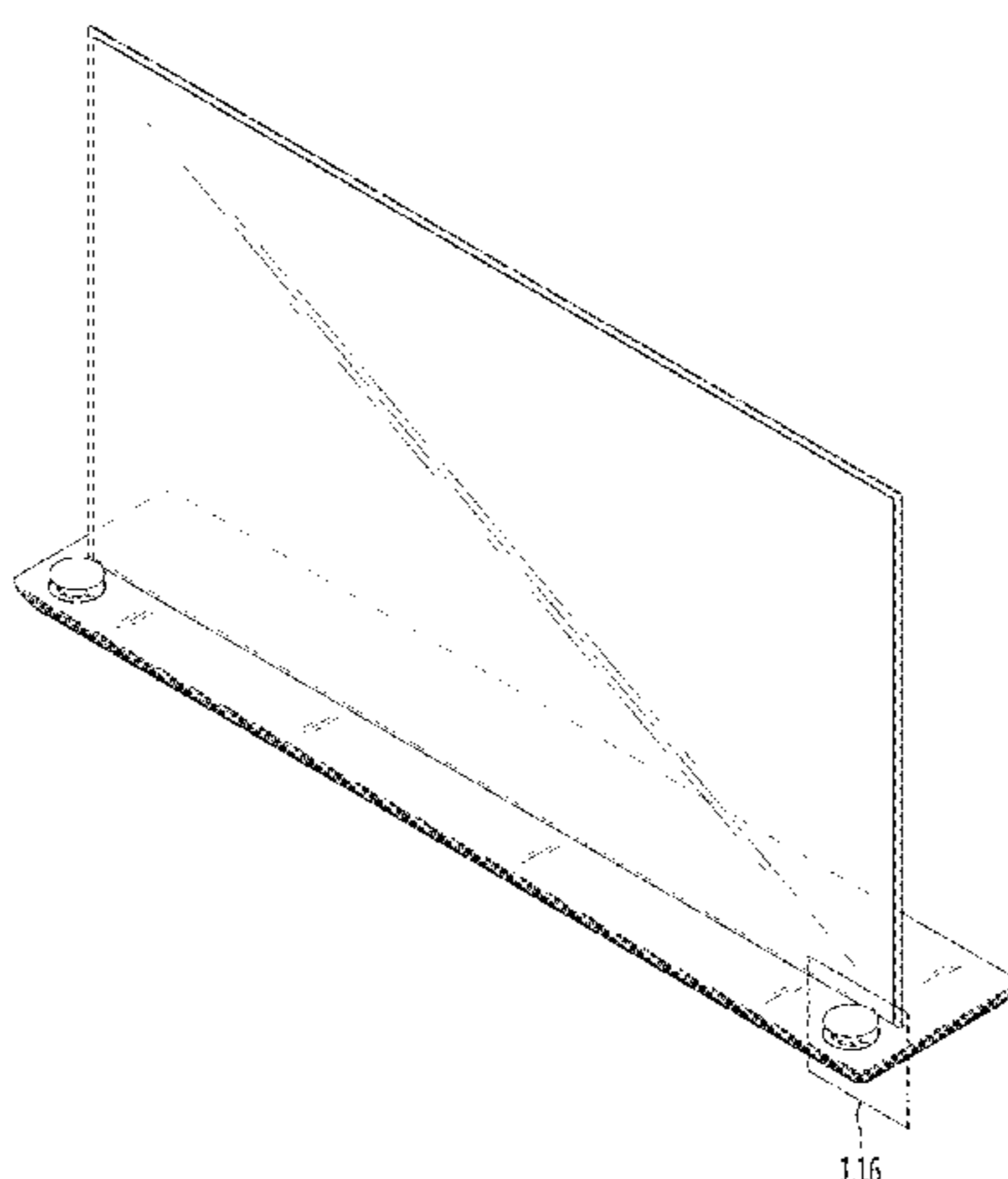
The ornamental design for a television receiver, as shown and described.

DESCRIPTION

1. Television receiver
- 1.1 is a front perspective view of a television receiver showing our new design;
- 1.2 is the front view thereof;
- 1.3 is the back view thereof;
- 1.4 is the left side view thereof;
- 1.5 is the right side view thereof;
- 1.6 is the top view thereof;
- 1.7 is the bottom view thereof;
- 1.8 is an enlarged view of a portion of the television receiver shown in 1.1;
- 1.9 is another front perspective view shown in an alternate position;
- 1.10 is the front view thereof;
- 1.11 is the back view thereof;
- 1.12 is the left side view thereof;
- 1.13 is the right side view thereof;
- 1.14 is the top view thereof;
- 1.15 is the bottom view thereof; and
- 1.16 is an enlarged view of a portion of the television receiver shown in 1.9.

The evenly-spaced broken lines depict portions of the television receiver that form no part of the claimed design.

(Continued)



The dash-dot broken line portions of 1.1, 1.8, 1.9 and 1.16 are included to show partially enlarged views only and form no part of the claimed design.

1 Claim, 10 Drawing Sheets

(58) **Field of Classification Search**

USPC D14/440, 448, 450, 496, 138 R, 138 AA,
 D14/138 G, 147, 203.1–203.7, 247, 388,
 D14/389; D6/300–310; D16/241;
 D20/10, 19, 39; D21/329, 333, 331, 332
 CPC .. G06F 1/1613; G06F 3/04883; G06F 1/1647;
 G06F 3/04845; G06F 1/1601; G06F
 1/1643; A63H 33/3016; H04M 1/0279;
 H04M 1/0281; H04M 1/0283; H05K
 5/0004; H05K 5/0017; H05K 5/02; H05K
 5/0217; H04N 13/0459

See application file for complete search history.

(56) **References Cited**

U.S. PATENT DOCUMENTS

D600,244 S * 9/2009 Chiu D14/126
 D631,031 S * 1/2011 Chen D14/138 G
 D637,169 S * 5/2011 Kim D14/126
 D639,760 S * 6/2011 Tierney D14/126
 D645,491 S * 9/2011 Lee D14/138 R
 D648,335 S * 11/2011 Shiono D14/374
 D670,670 S * 11/2012 Kim D14/126
 D677,637 S * 3/2013 Kubota D14/126
 D702,280 S * 4/2014 Go D16/241

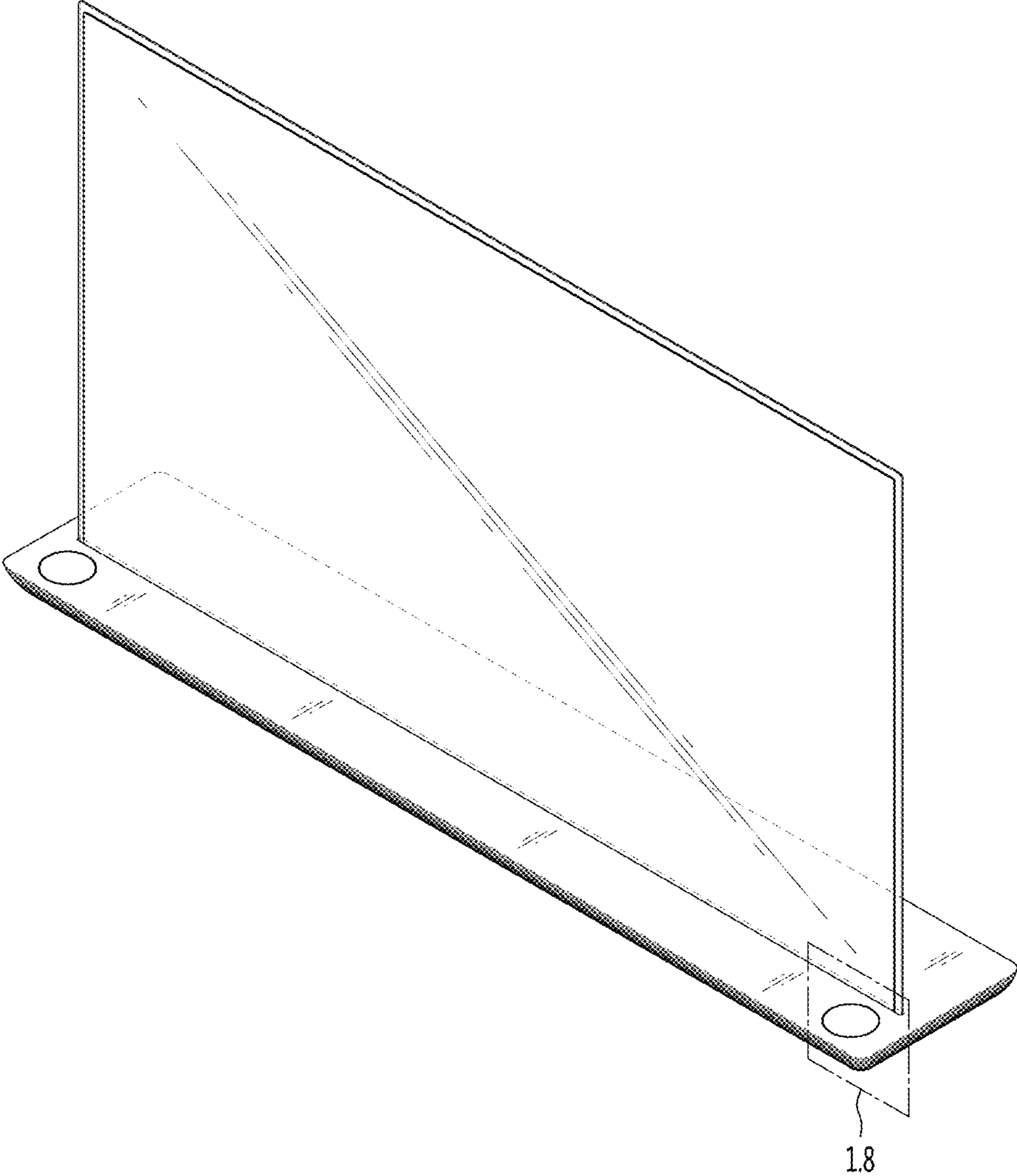
D712,867 S * 9/2014 Vats D14/138 AB
 D732,489 S * 6/2015 Kumano D14/126
 D732,490 S * 6/2015 Kim D14/126
 D742,344 S * 11/2015 Kim D14/126
 D742,375 S * 11/2015 Kang D14/126
 D743,922 S * 11/2015 Li D14/126
 D755,139 S * 5/2016 Kim D14/126
 D761,222 S * 7/2016 Yoo D14/126
 D769,837 S * 10/2016 Kim D14/126
 D771,008 S * 11/2016 Takahata D14/159
 D772,829 S * 11/2016 Han D14/126
 D772,833 S * 11/2016 Han D14/126
 D774,483 S * 12/2016 Kim D14/126
 D780,140 S * 2/2017 Kim D14/126
 D783,612 S * 4/2017 Kim D14/374
 2011/0116218 A1* 5/2011 Choi H04N 5/64
 361/679.01
 2014/0092568 A1* 4/2014 Kim H05K 7/00
 361/752
 2016/0374228 A1* 12/2016 Park G09F 9/301
 2017/0079149 A1* 3/2017 Lee H01L 51/524

OTHER PUBLICATIONS

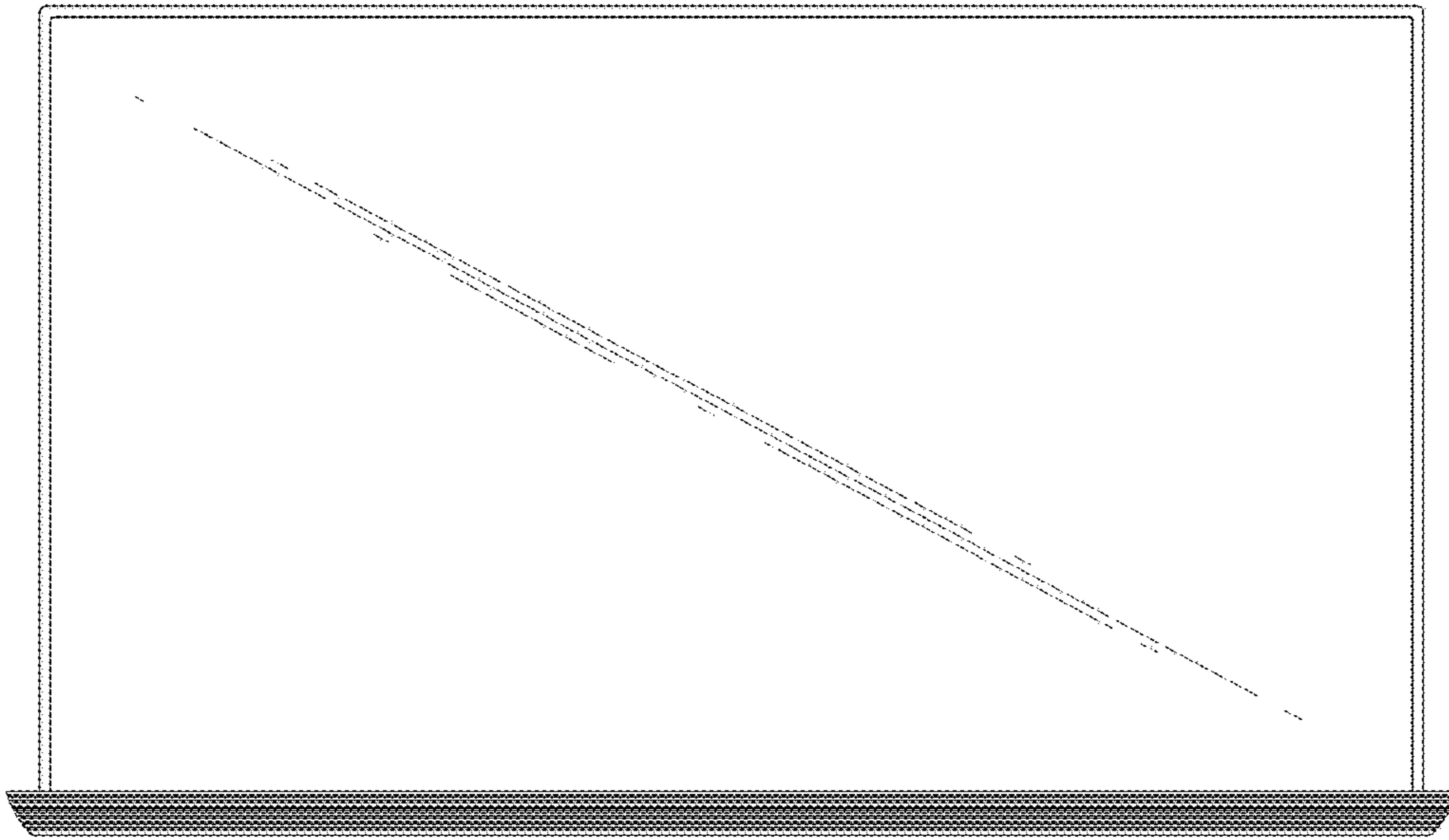
LG TV 2016 Reviews & Prices—Ultimate Buying Guide for LG 4k TVs, announced Jun. 16, 2016 [online], [site visited Jun. 20, 2017]. Available from Internet, URL: <<http://4k.com/lg-tv-2016-reviews-prices-ultimate-buying-guide-for-lg-4k-tvs/>>.*
 LG 65EF9500 65" 4K Full 3D 2160p UHD, inteligente, OLED TV, announced Jun. 14, 2016 [online], [site visited Jun. 20, 2017]. Available from Internet, URL: <http://www.ebay.com/itm/LG-65EF9500-65-4K-Full-3D-2160p-UHD-Smart-OLED-TV-/252663221464?_ul=BO>.*

* cited by examiner

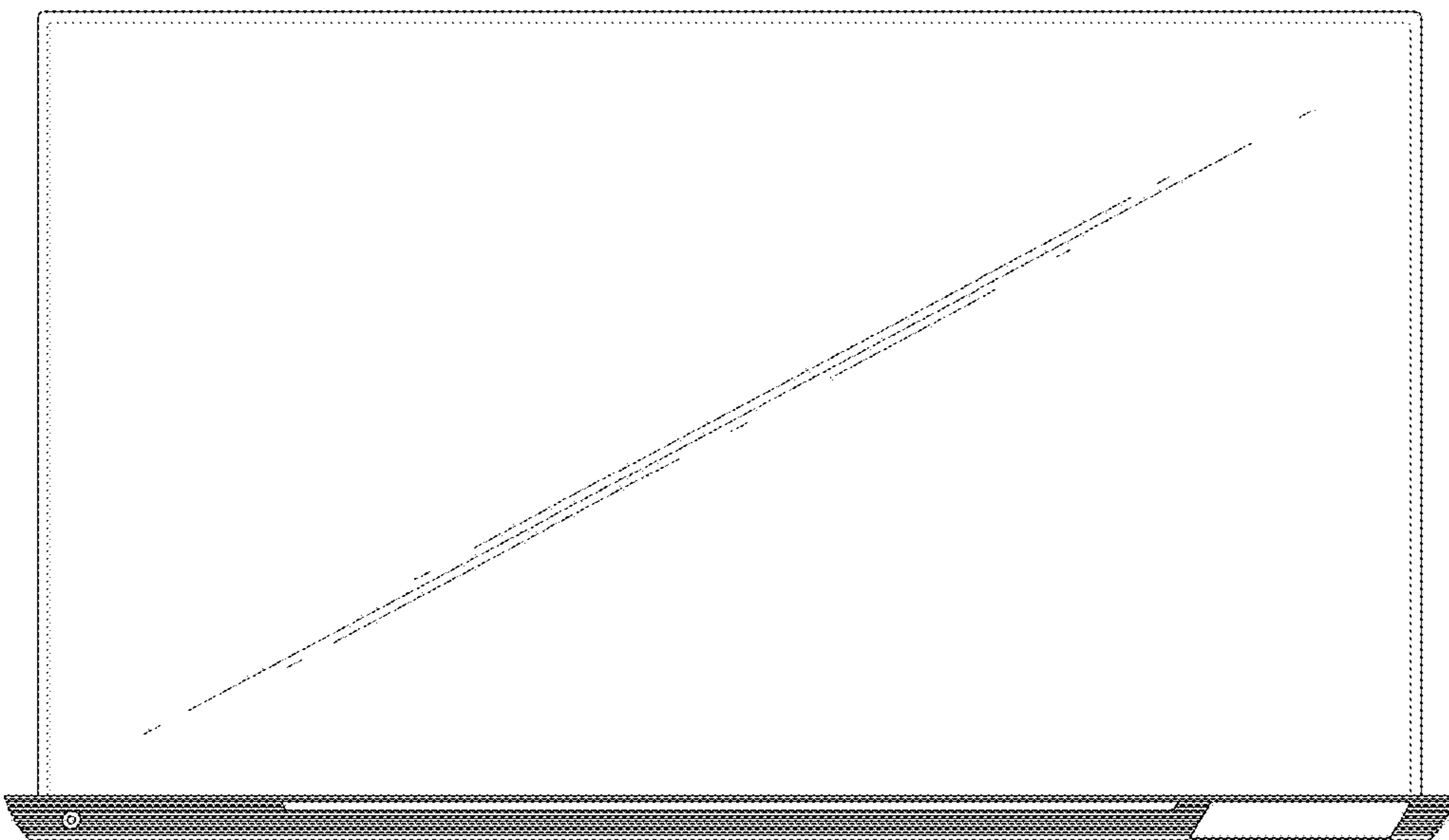
1.1



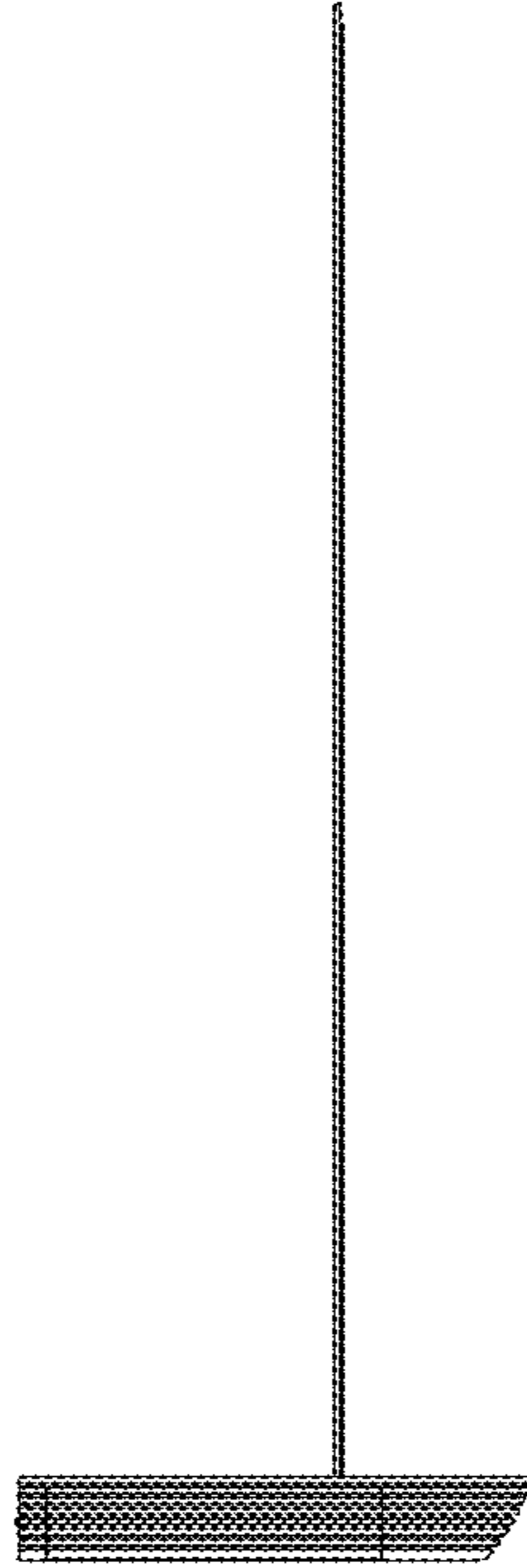
1.2



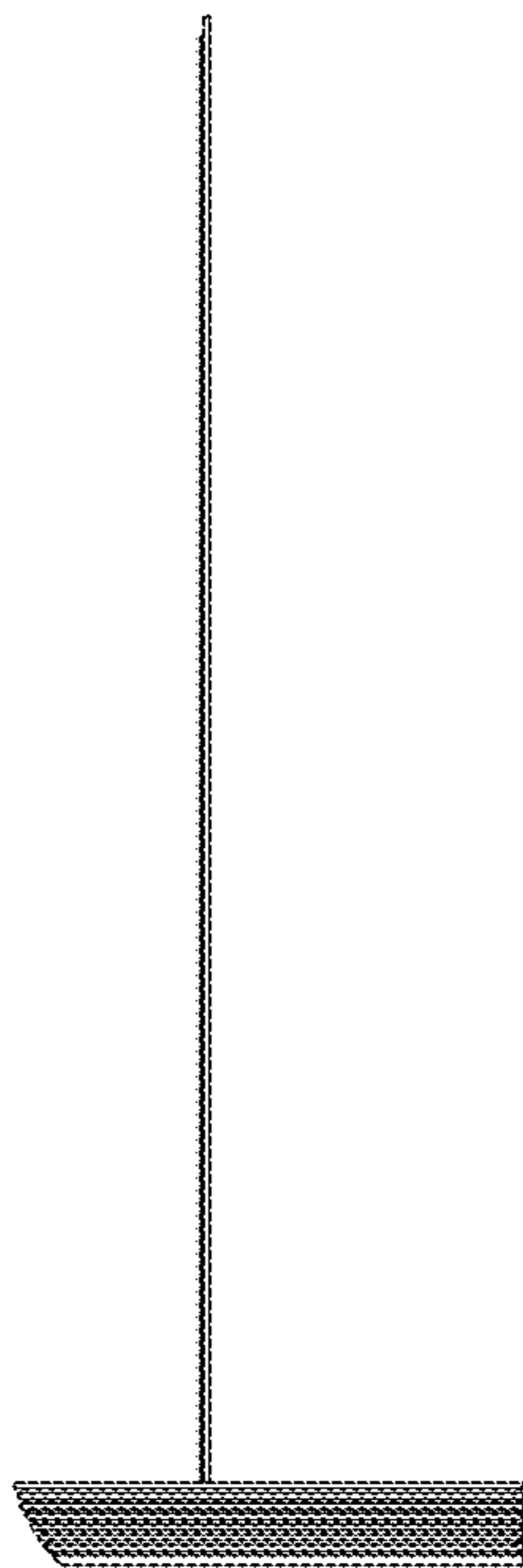
1.3



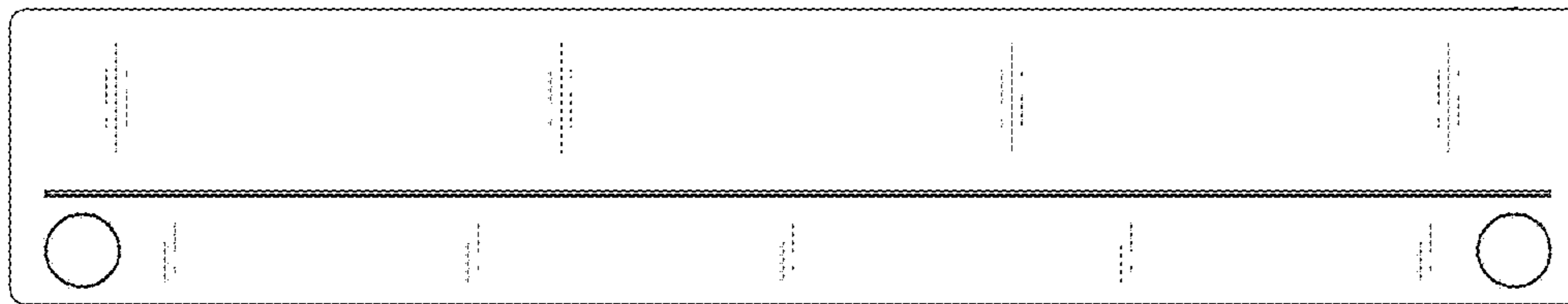
1.4



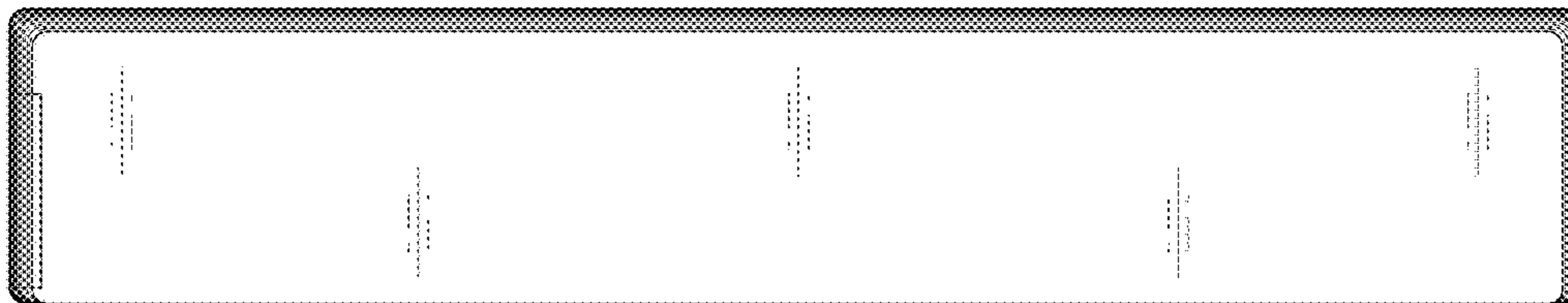
1.5



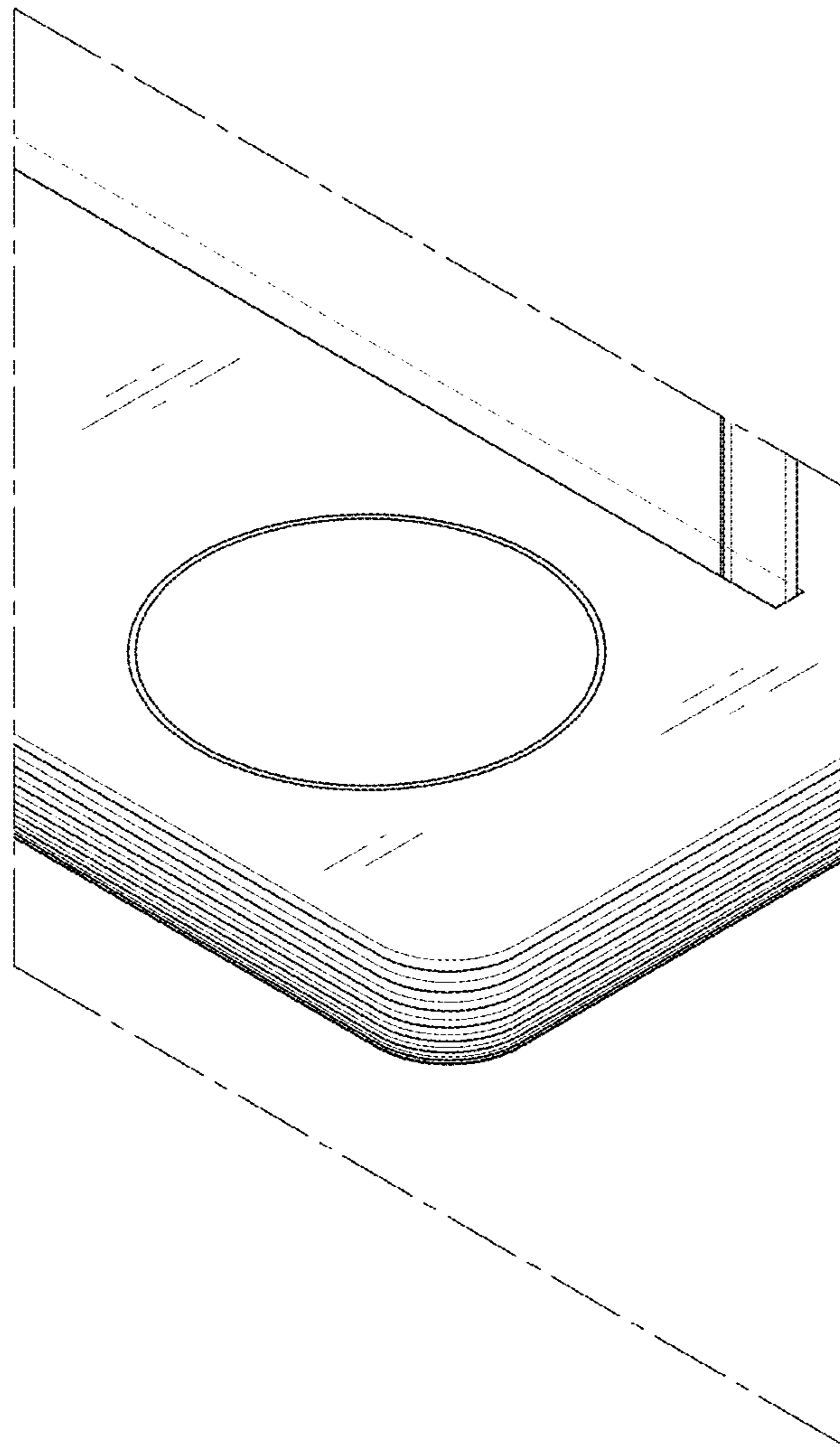
1.6



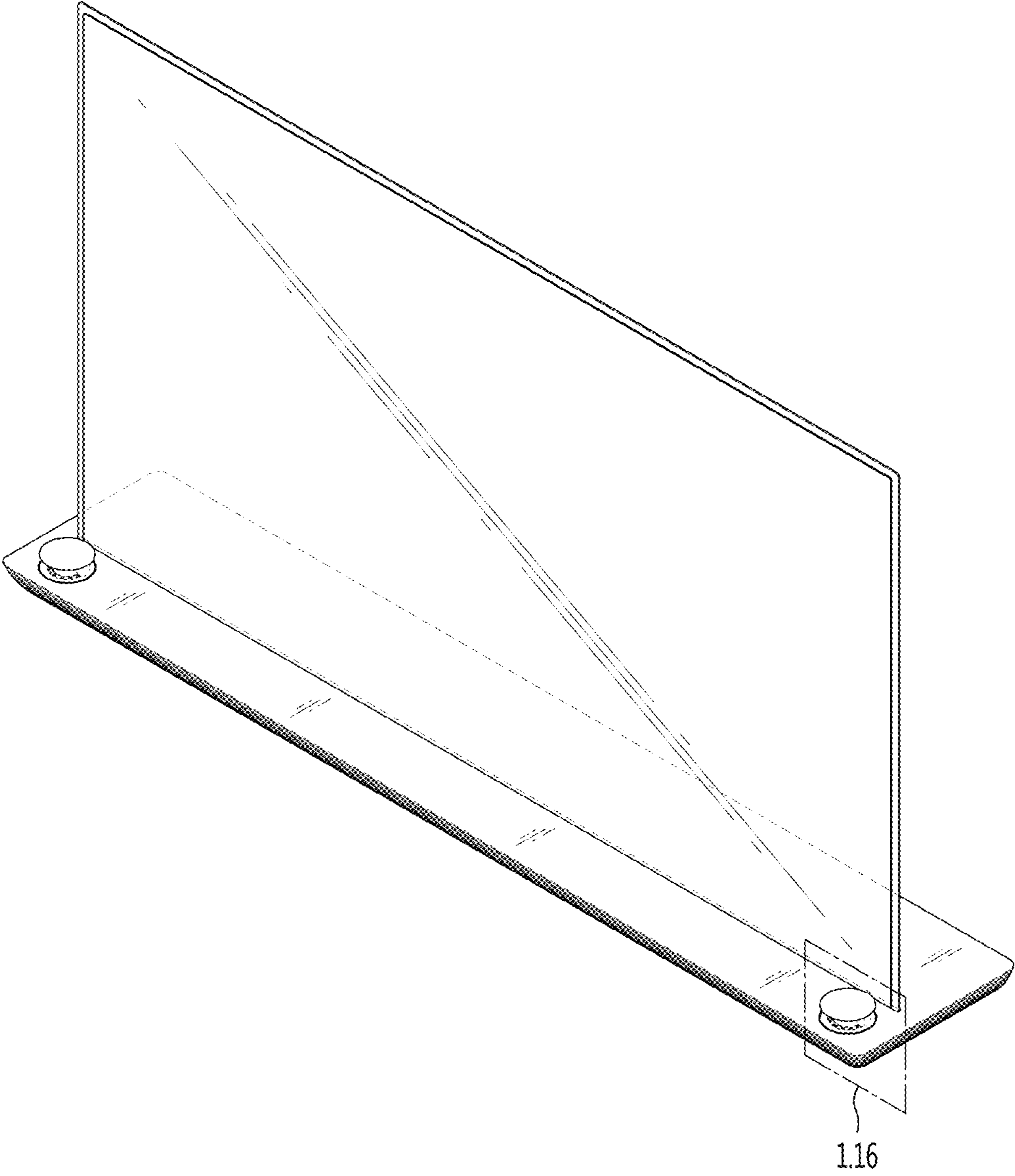
1.7



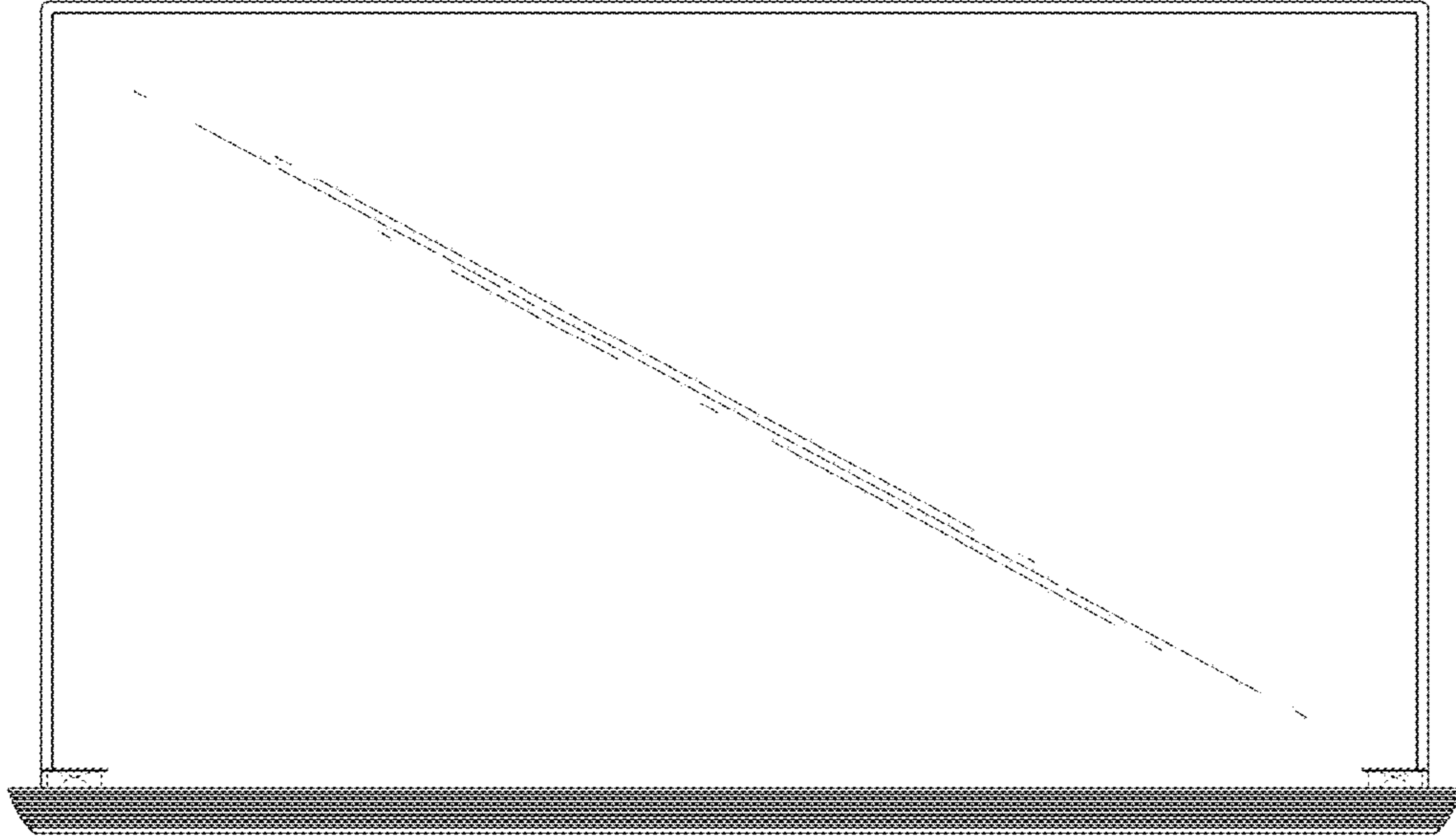
1.8



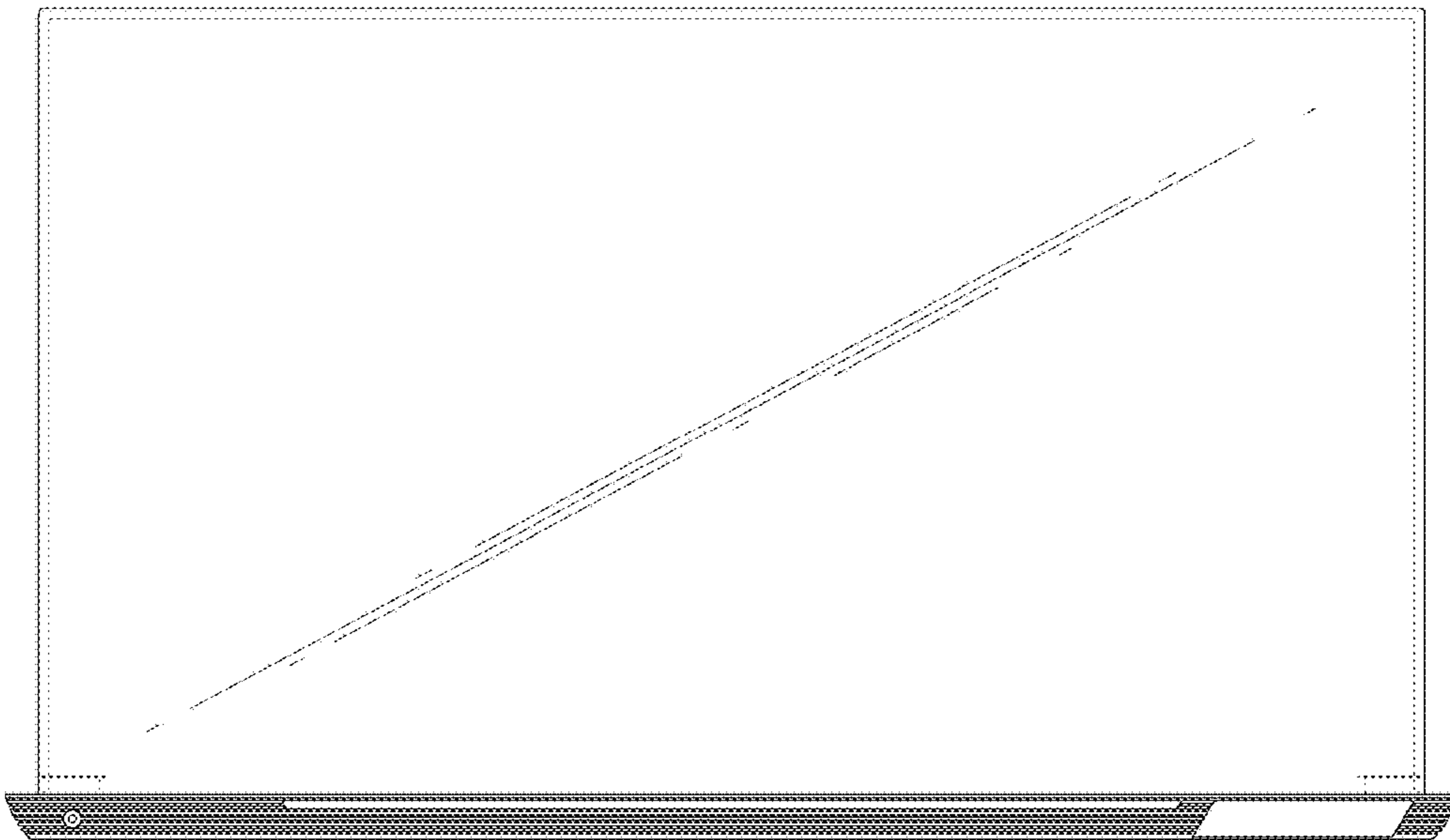
1.9



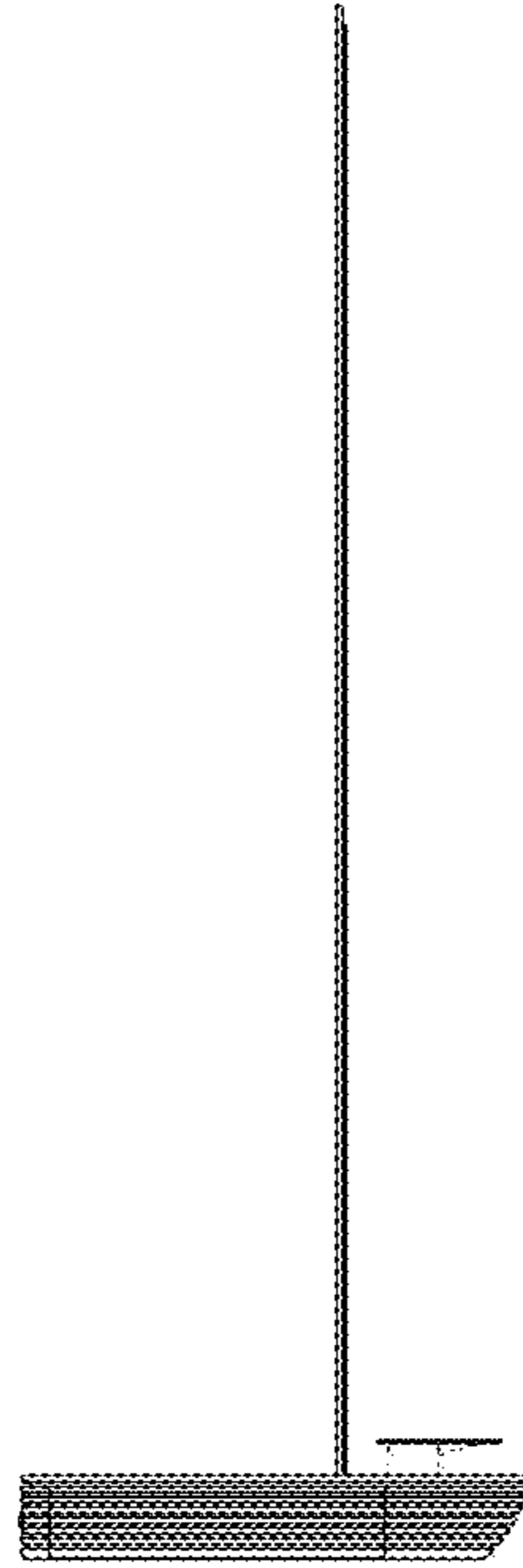
1.10



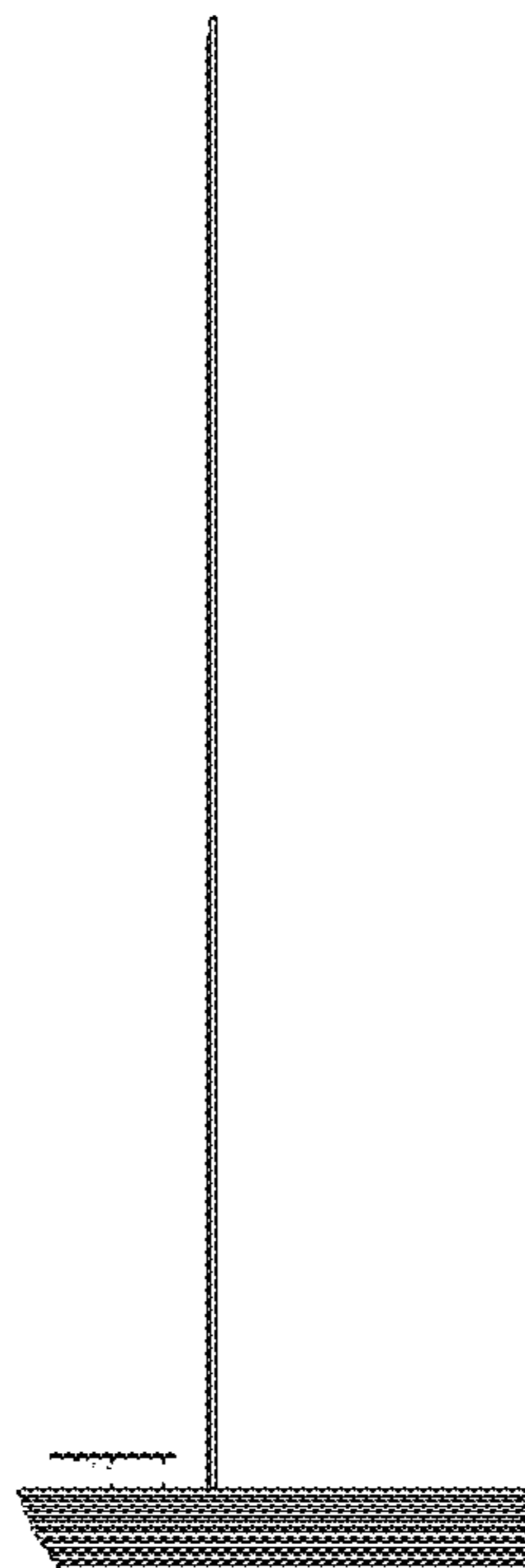
1.11



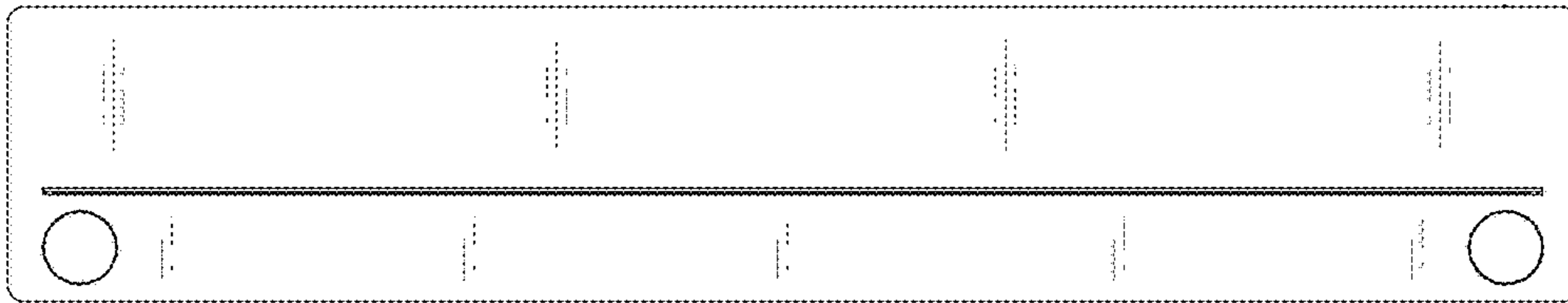
1.12



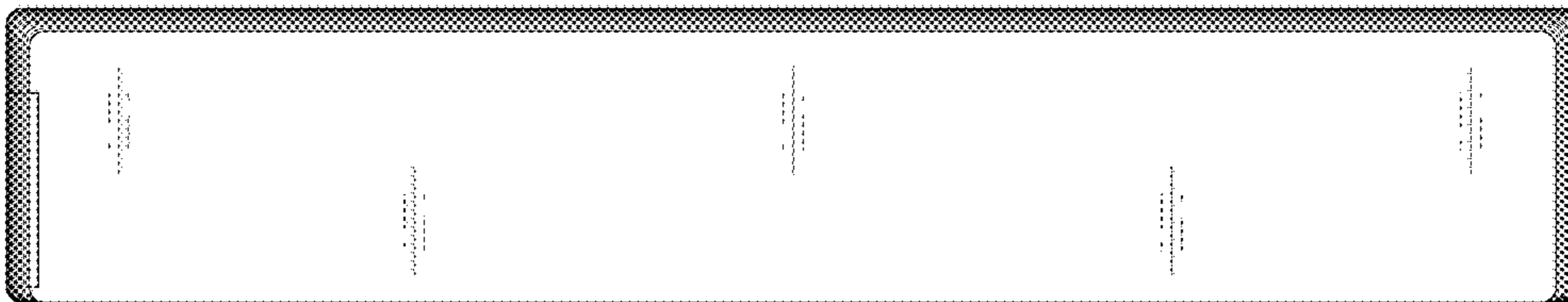
1.13



1.14



1.15



1.16

