



US00D821332S

(12) **United States Design Patent** (10) **Patent No.:** **US D821,332 S**
Shah (45) **Date of Patent:** **** *Jun. 26, 2018**

(54) **POWER TRANSFER UNIT**

OTHER PUBLICATIONS

(71) Applicant: **Architectural Builders Hardware Mfg., Inc.**, Itasca, IL (US)

<http://www.abhmfg.com/p/61/pt200pt1000-power-transfer>;
“PT200/PT1000 Power Transfer Power Transfer”.

(72) Inventor: **Ankit Kirti Shah**, Chicago, IL (US)

* cited by examiner

(*) Notice: This patent is subject to a terminal disclaimer.

Primary Examiner — Derrick Holland
Assistant Examiner — Jennifer O King

(**) Term: **15 Years**

(74) *Attorney, Agent, or Firm* — Benesch, Friedlander, Coplan & Aronoff LLP

(21) Appl. No.: **29/555,293**

(57) **CLAIM**

(22) Filed: **Feb. 19, 2016**

I claim the ornamental design for a power transfer unit, as shown and described.

(51) **LOC (11) Cl.** **13-03**

(52) **U.S. Cl.**
USPC **D13/155**

DESCRIPTION

(58) **Field of Classification Search**
USPC D13/133, 149, 150, 151, 153, 154, 156,
D13/184, 199; 439/578–585, 694, 695,
439/944; D8/356, 396; 49/167
CPC H01R 4/38; H01R 24/58; E05D 11/0018;
H02G 11/00
See application file for complete search history.

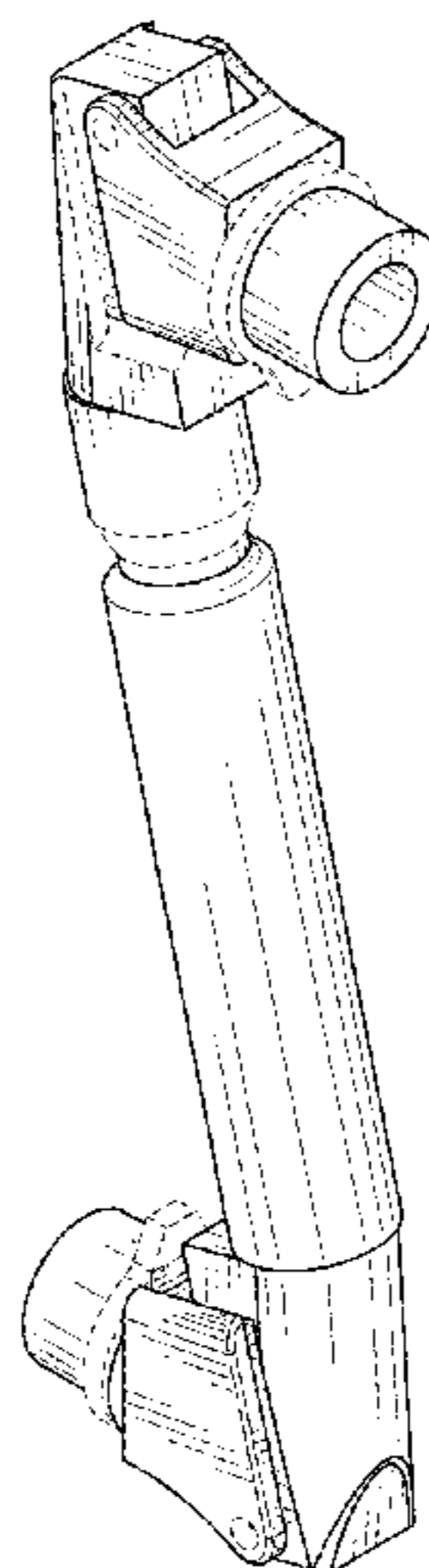
FIG. 1 is a top and front side perspective view of a power transfer unit;
FIG. 2 is a right side elevational view thereof;
FIG. 3 is a left side elevational view thereof;
FIG. 4 is a back side elevational view thereof;
FIG. 5 is front side elevational view thereof;
FIG. 6 is a top plan view thereof; and
FIG. 7 is a bottom plan view thereof.
FIG. 8 is a back side perspective view of the power transfer unit, shown in an open position;
FIG. 9 is a left side elevational view thereof;
FIG. 10 is a right side elevational view thereof;
FIG. 11 is a front side elevational view thereof;
FIG. 12 back side elevational view thereof;
FIG. 13 a top perspective view thereof; and,
FIG. 14 is a bottom perspective view thereof.
FIG. 15 is a perspective view of the power transfer unit shown in use and in a partially closed position; and,
FIG. 16 is a perspective view of the power transfer unit shown in use and in an open position.
The broken lines shown represent unclaimed subject matter and form no part of the claimed design.

(56) **References Cited**

U.S. PATENT DOCUMENTS

3,848,361	A	11/1974	Foster et al.	
5,690,501	A	11/1997	Mader	
D496,909	S *	10/2004	D’Addario	D13/133
8,388,374	B2 *	3/2013	Grek	H01R 13/622 439/578
8,448,382	B2	5/2013	Rodgers et al.	
D755,130	S *	5/2016	Toimil	D13/156
2004/0107533	A1 *	6/2004	Nishihara	B60R 16/0222 16/2.1
2011/0296761	A1 *	12/2011	Wood	E05D 5/04 49/70
2013/0160236	A1 *	6/2013	Gaemmerler	H02G 3/22 16/2.1
2014/0213107	A1 *	7/2014	Himi	H01R 4/185 439/585

1 Claim, 10 Drawing Sheets



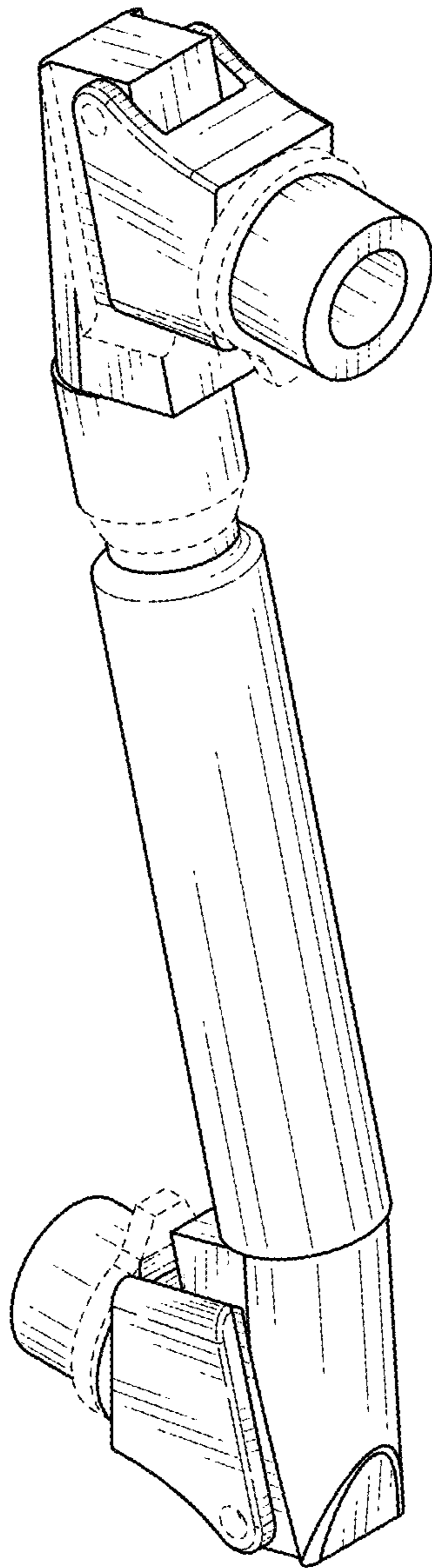


FIG. 1

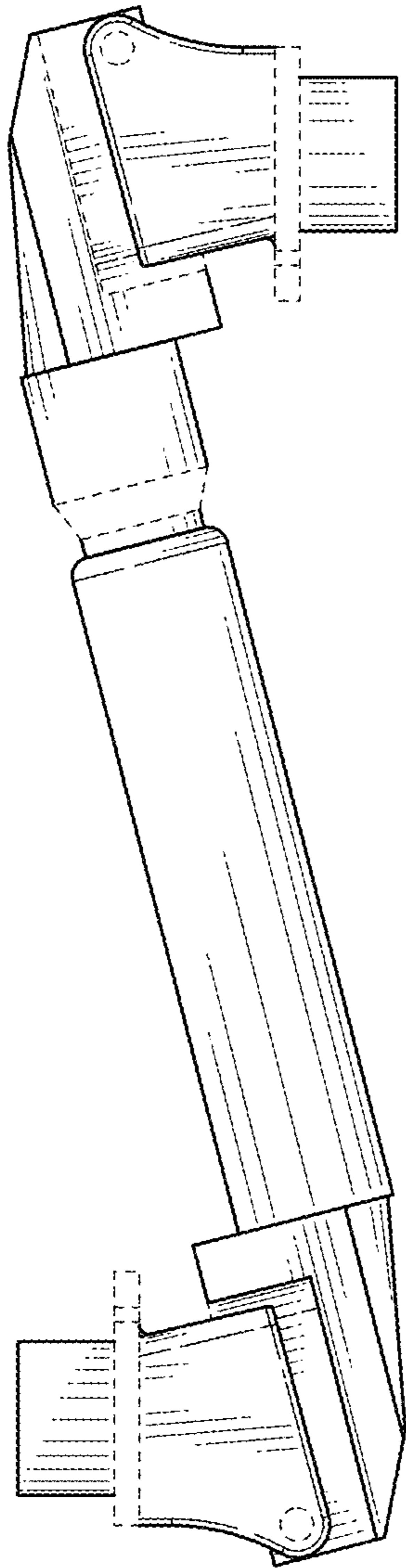


FIG. 2

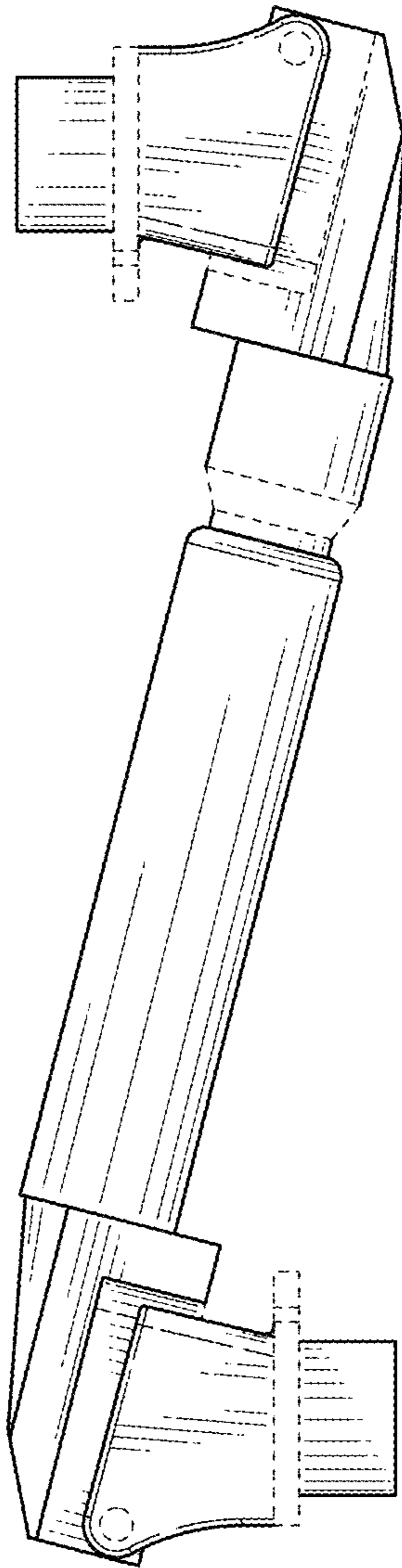


FIG. 3

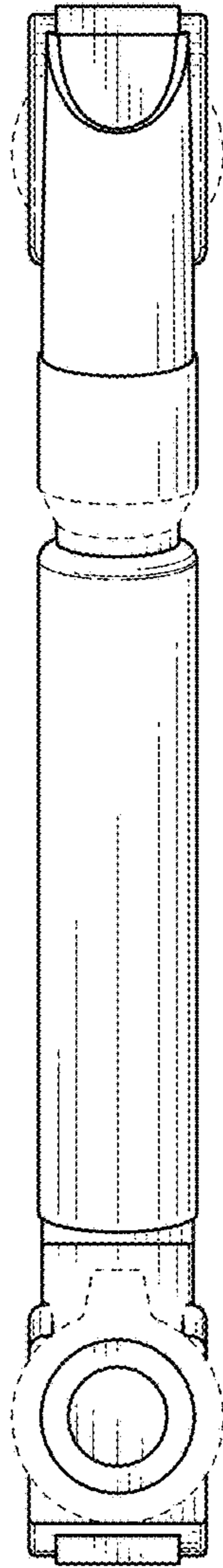


FIG. 4

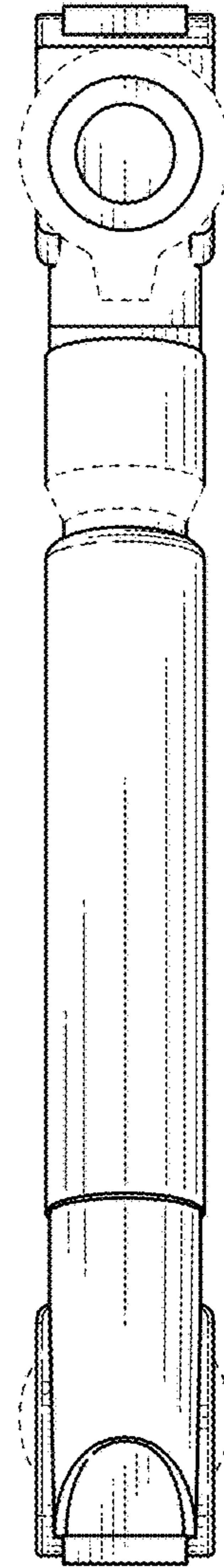


FIG. 5

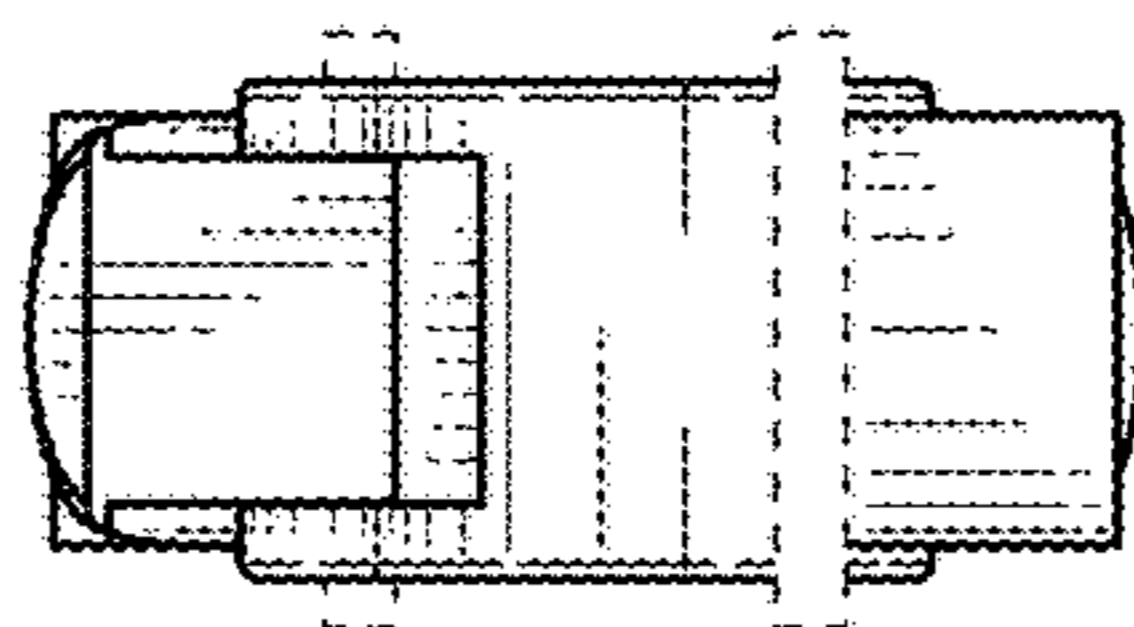


FIG. 6

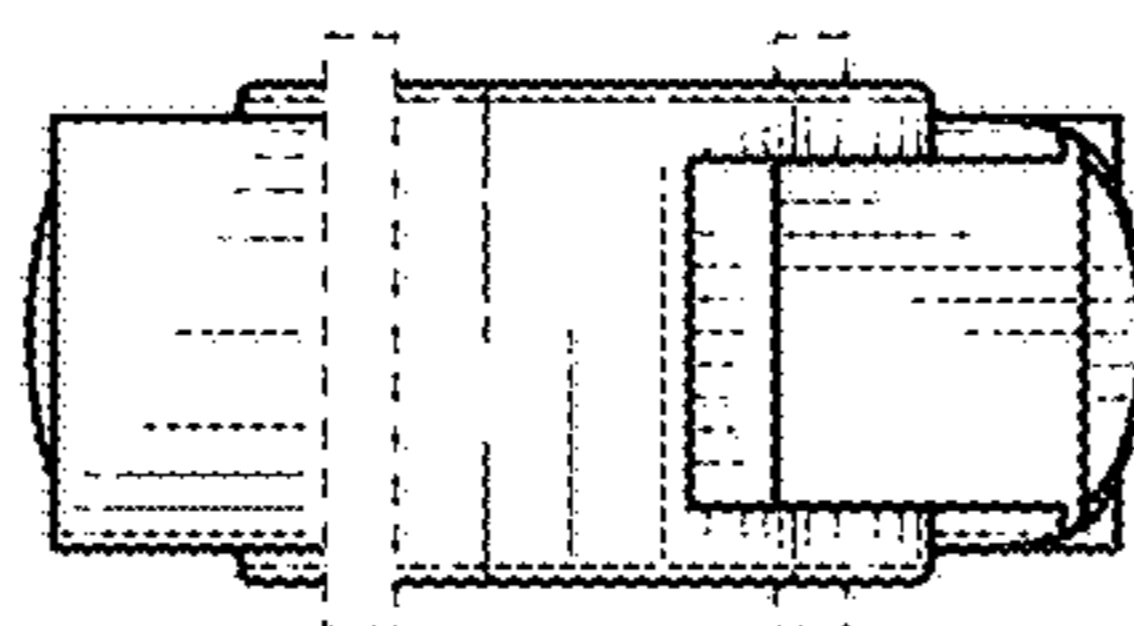


FIG. 7

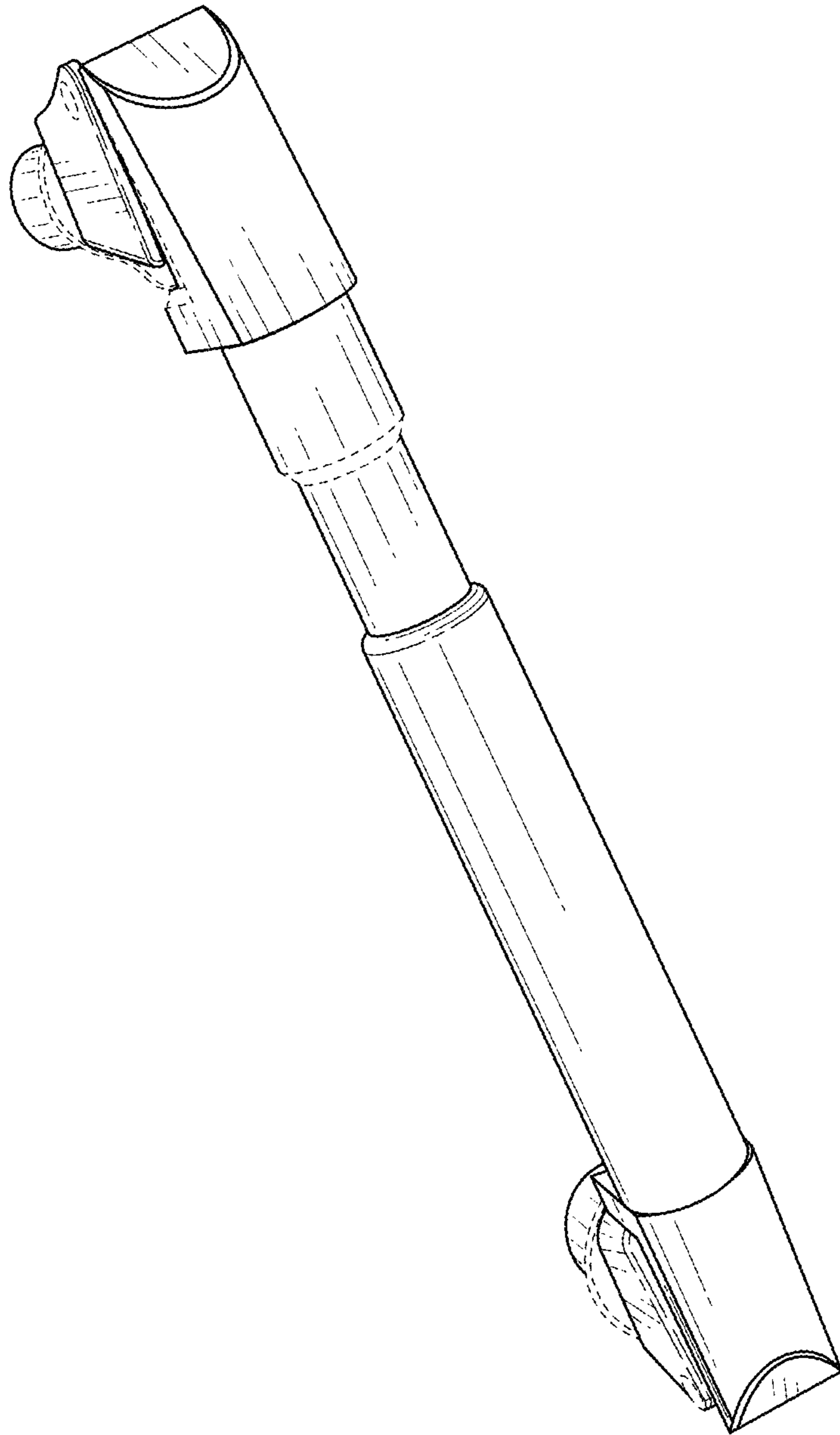


FIG. 8

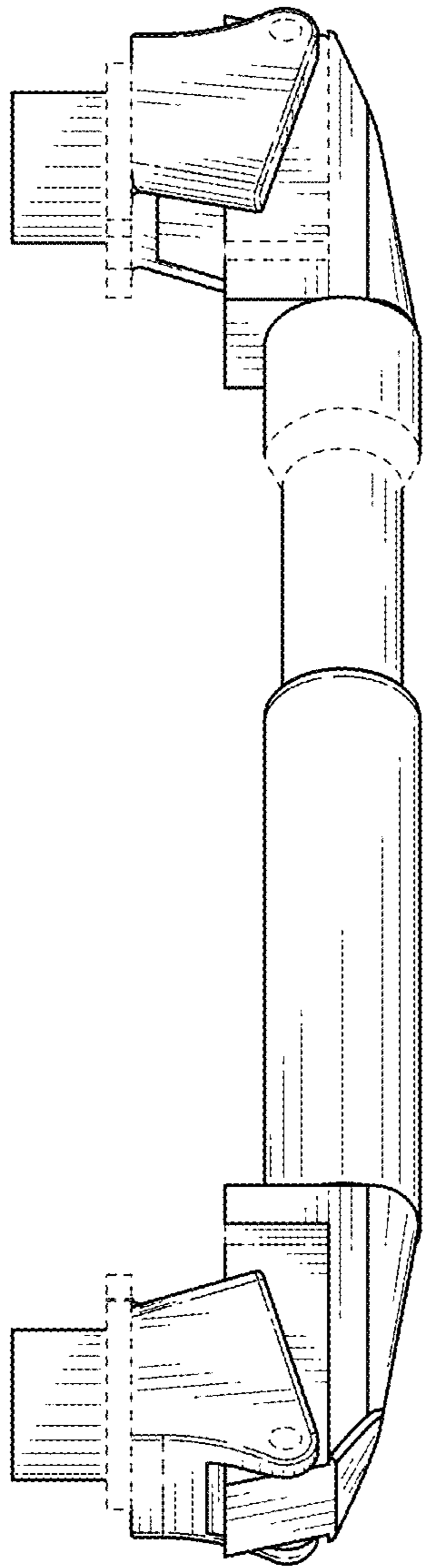


FIG. 9

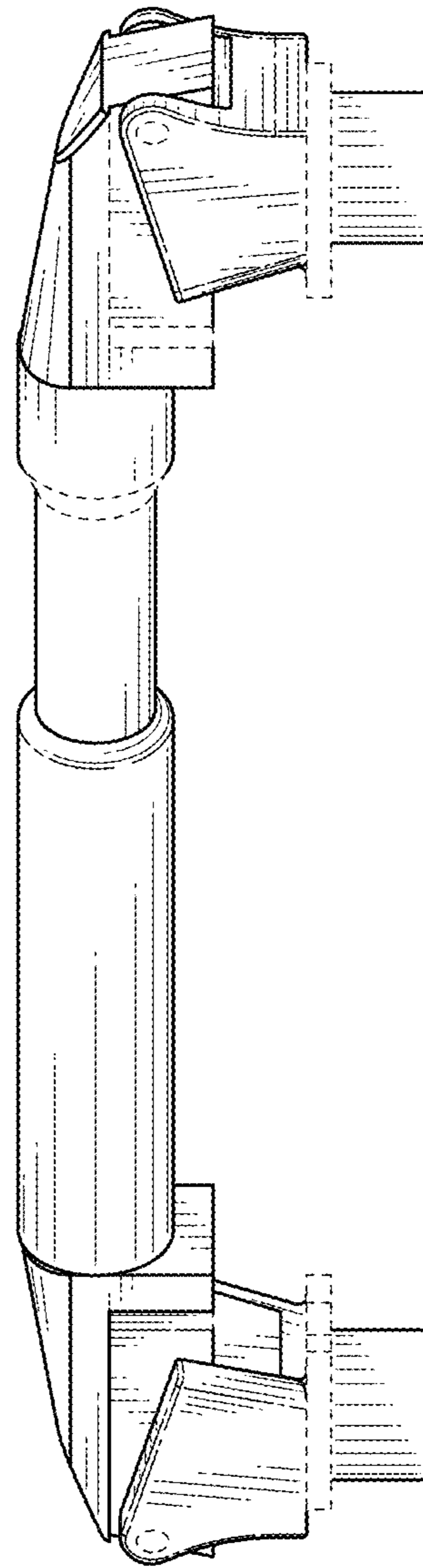


FIG. 10

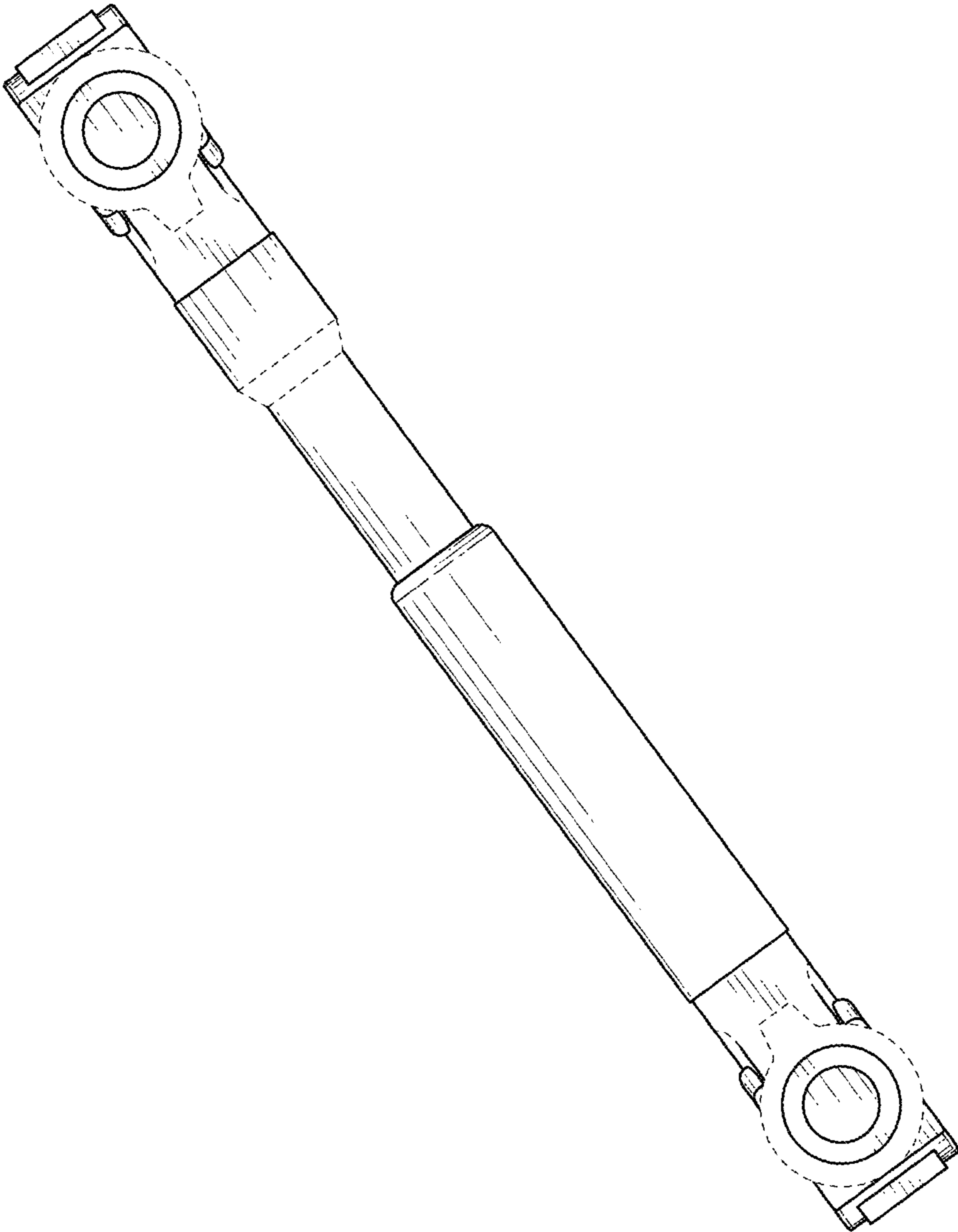


FIG. 11

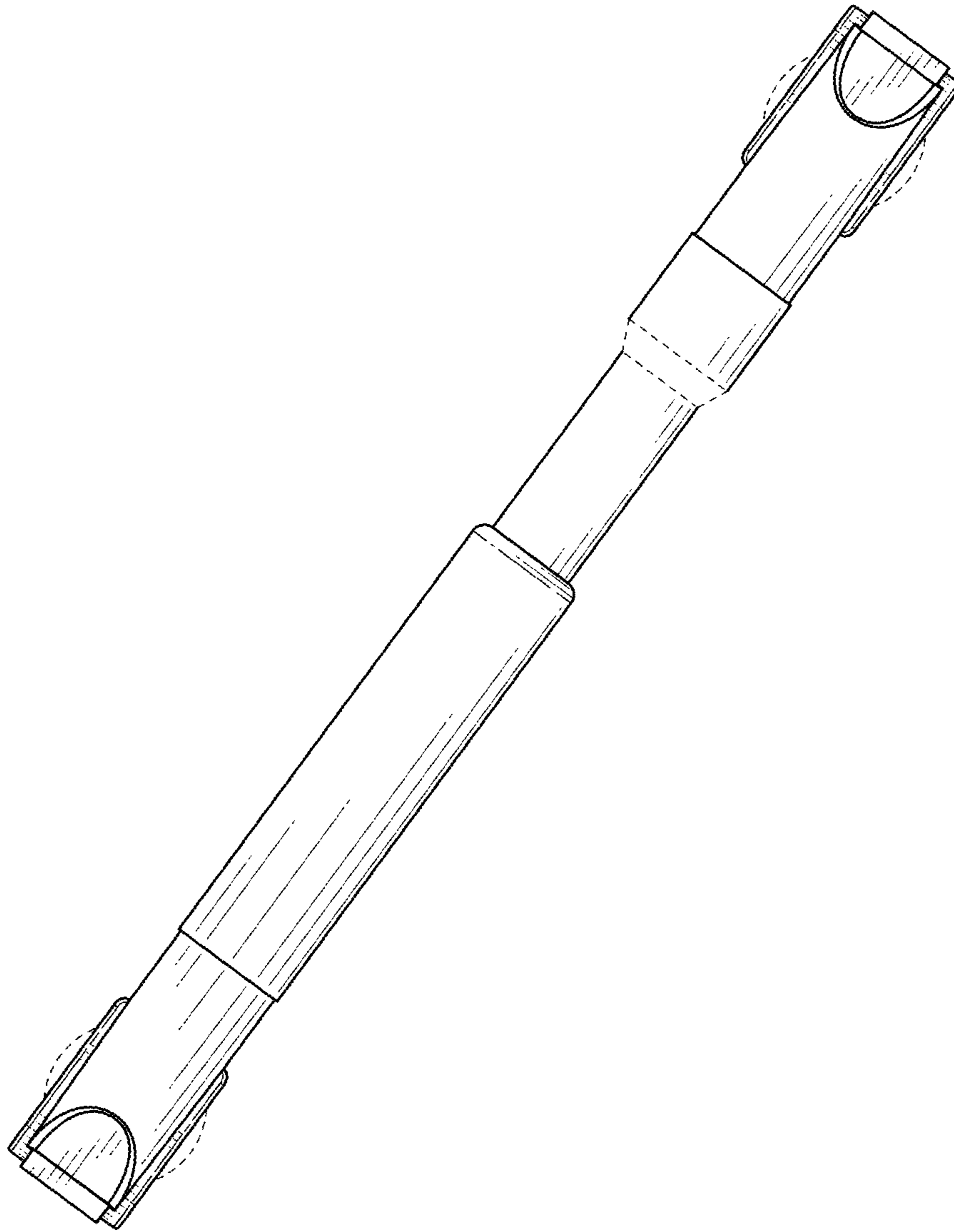


FIG. 12

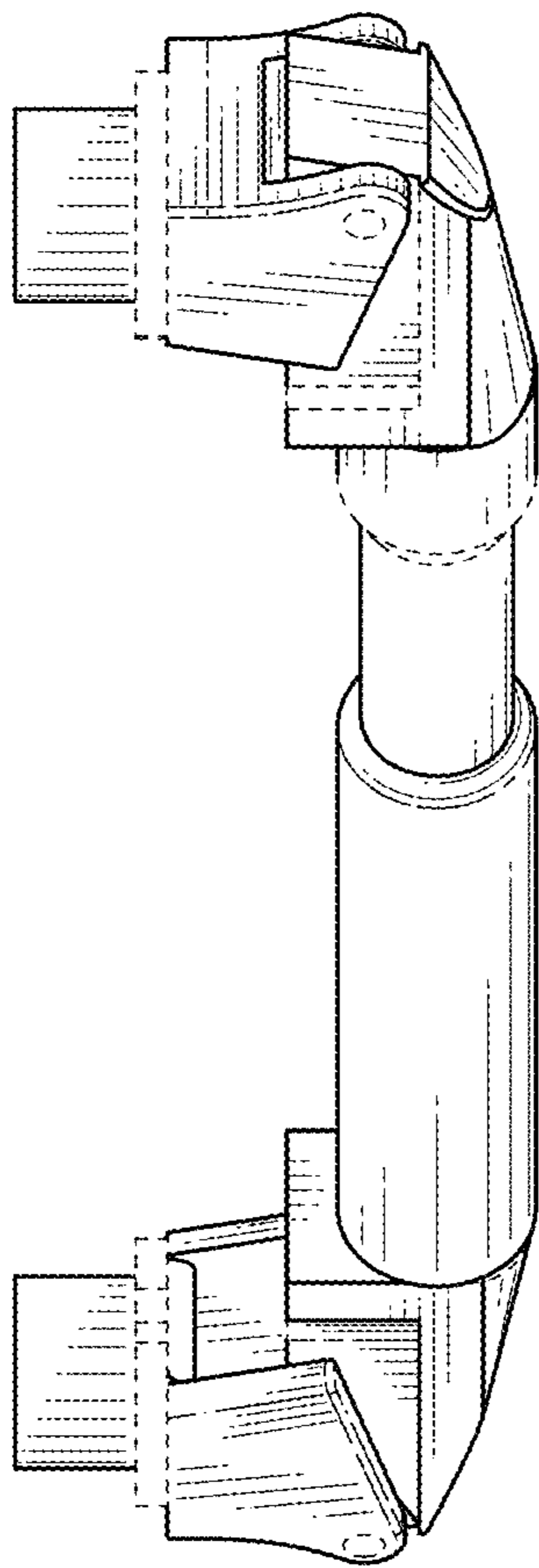


FIG. 13

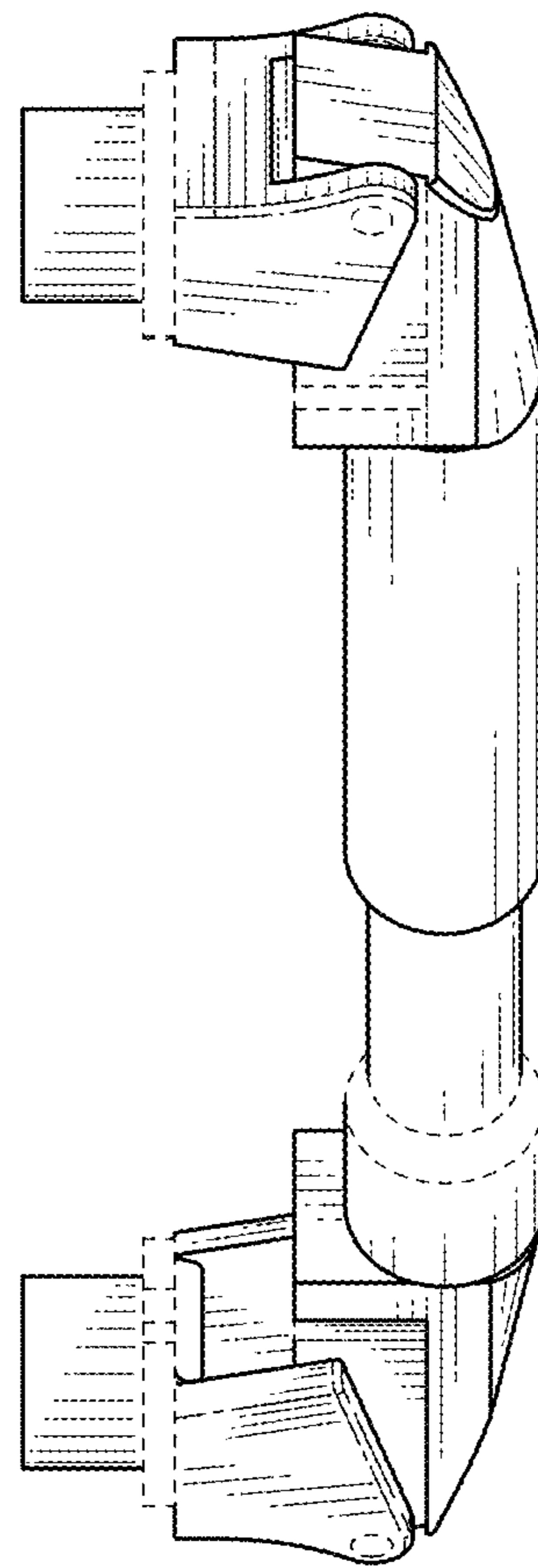


FIG. 14

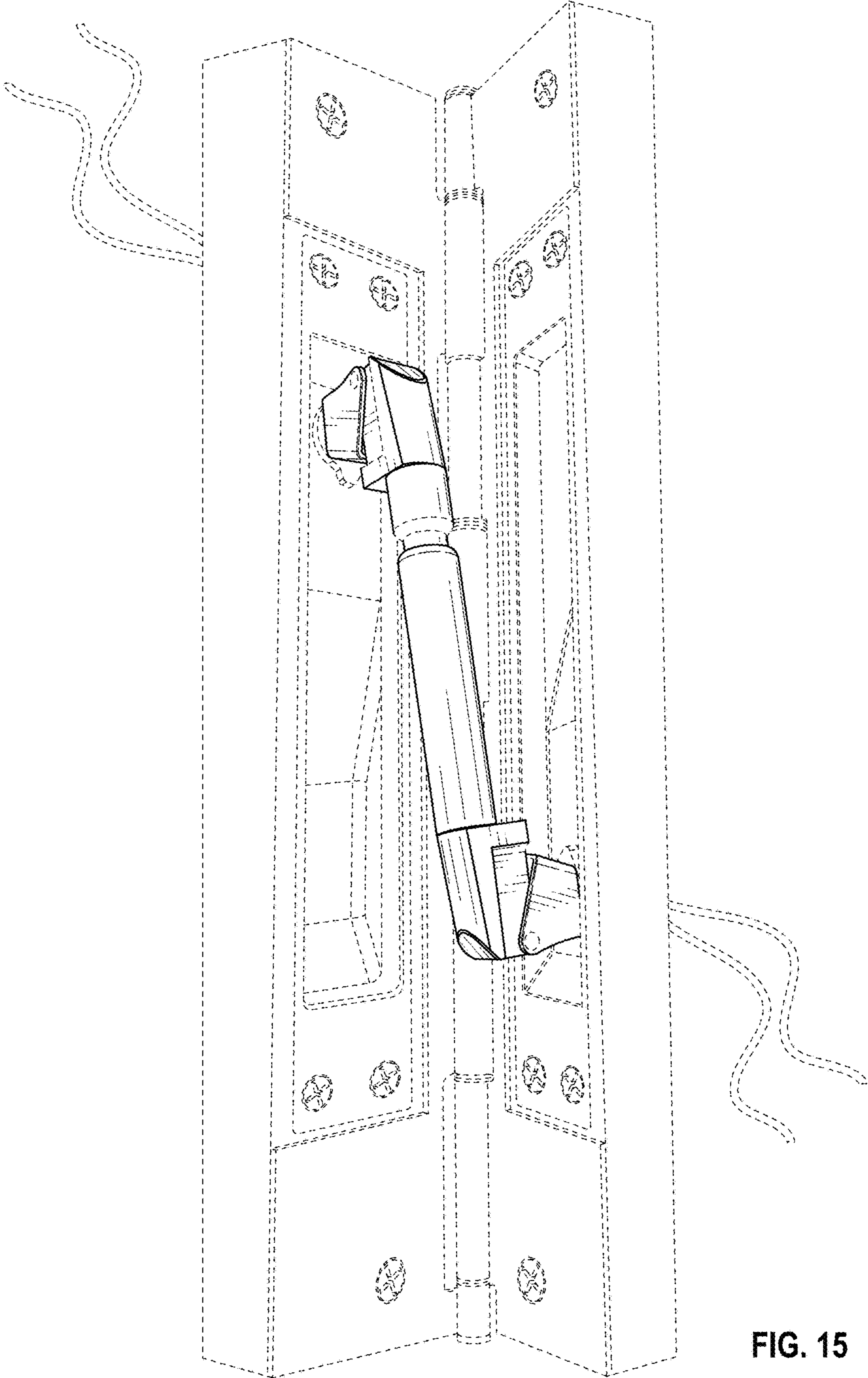


FIG. 15

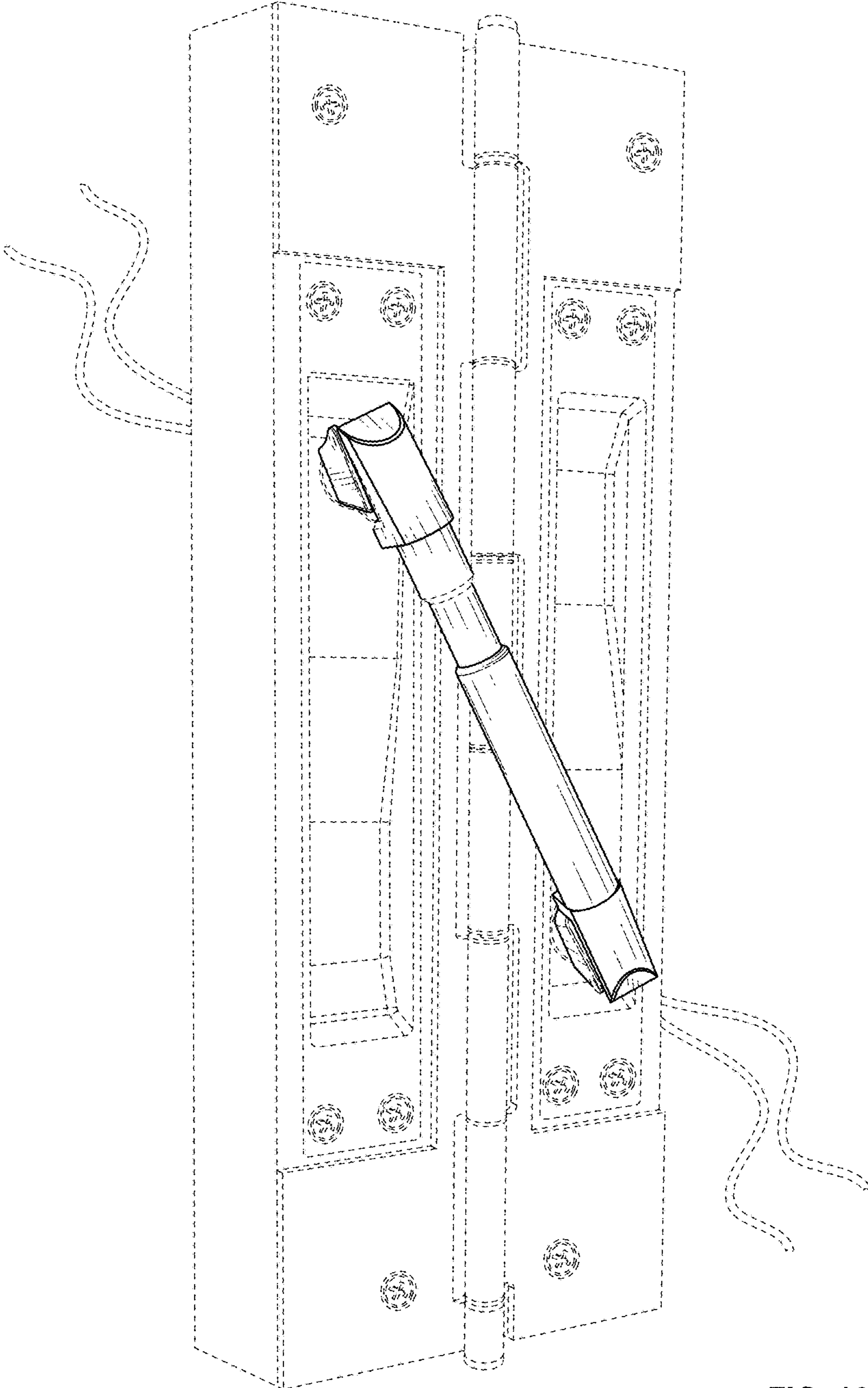


FIG. 16