



US00D821331S

(12) **United States Design Patent**
Druscovich et al.

(10) **Patent No.:** **US D821,331 S**
(45) **Date of Patent:** **** Jun. 26, 2018**

- (54) **CONNECTION MODULE**
- (71) Applicant: **Telit Technologies (Cyprus) Limited**,
Larnaca (CY)
- (72) Inventors: **Fabrizio Druscovich**, Dolina (IT);
Emilia Giuseppina Ibba, Cagliari (IT);
Bruno Vittori, Sagrado (IT)
- (73) Assignee: **TELIT TECHNOLOGIES (CYPRUS)**
LIMITED, Larnaca (CY)
- (**) Term: **15 Years**
- (21) Appl. No.: **29/617,464**
- (22) Filed: **Sep. 14, 2017**

Related U.S. Application Data

- (62) Division of application No. 29/541,863, filed on Oct. 8, 2015, now Pat. No. Des. 801,277.
- (51) **LOC (11) Cl.** **13-03**
- (52) **U.S. Cl.**
USPC **D13/147**
- (58) **Field of Classification Search**
USPC D13/123, 133, 146, 147, 154, 184, 199
CPC H04B 1/3816; H04M 2250/14; H04W
8/265; H04W 88/10; H04K 3/222; G06K
7/0056
See application file for complete search history.

(56) **References Cited**

U.S. PATENT DOCUMENTS

- D396,690 S * 8/1998 Fryers D13/147
- 6,413,110 B2 7/2002 Keller

- 6,830,462 B1 12/2004 Harper, Jr.
- D533,508 S * 12/2006 Suzuki D13/147
- D648,676 S * 11/2011 Brookshire D13/110
- D733,662 S 7/2015 Harper, Jr. et al.
- D737,778 S 9/2015 Druscovich et al.
- D737,779 S 9/2015 Druscovich et al.
- D753,604 S 4/2016 Druscovich et al.
- D784,341 S 4/2017 Kim et al.
- D784,342 S 4/2017 Kim et al.
- D800,665 S * 10/2017 Druscovich D13/147
- D801,277 S * 10/2017 Druscovich D13/147
- 2017/0141809 A1 5/2017 Larson et al.

* cited by examiner

Primary Examiner — Daniel Bui

(74) *Attorney, Agent, or Firm* — Pearl Cohen Zedek
Latzler Baratz LLP

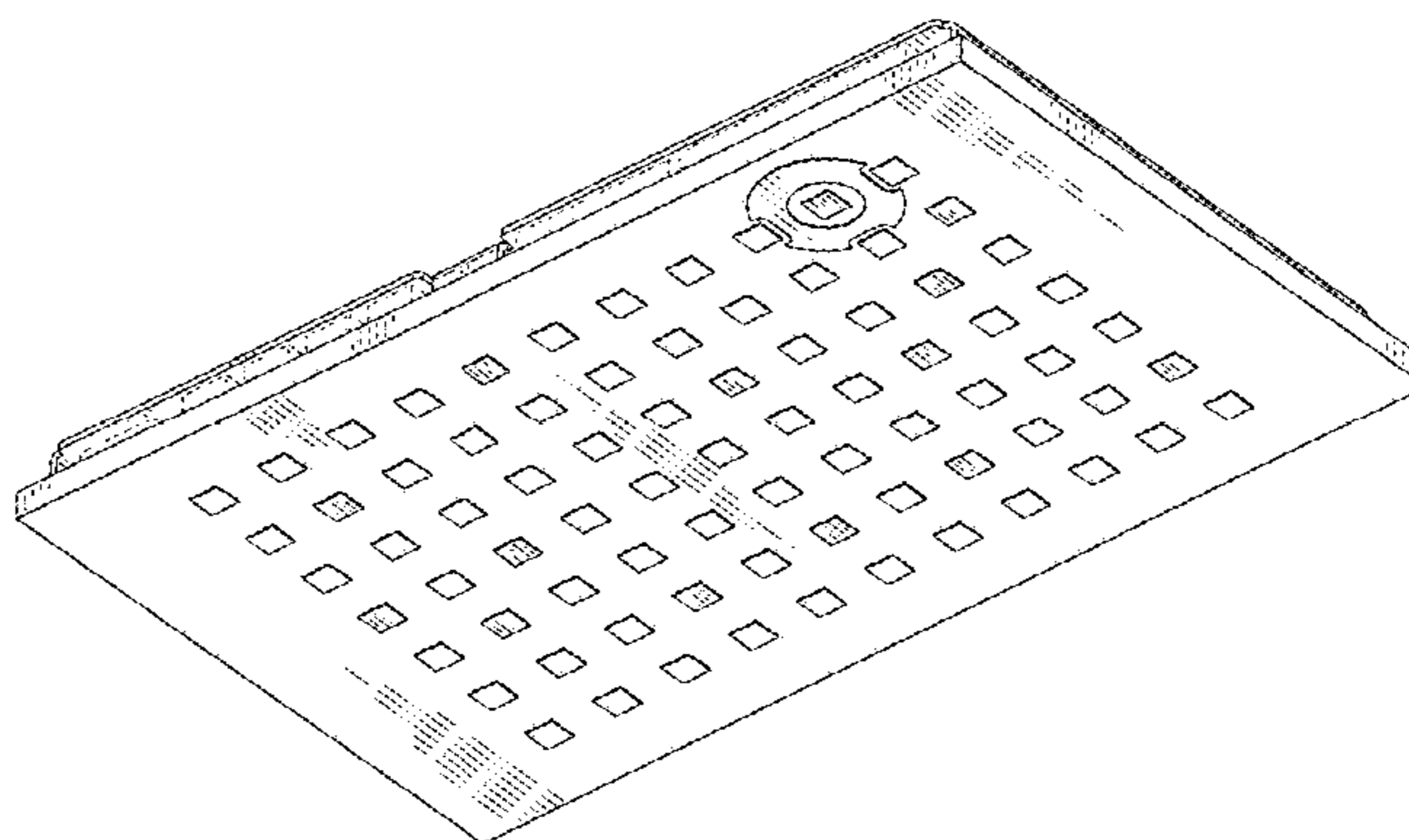
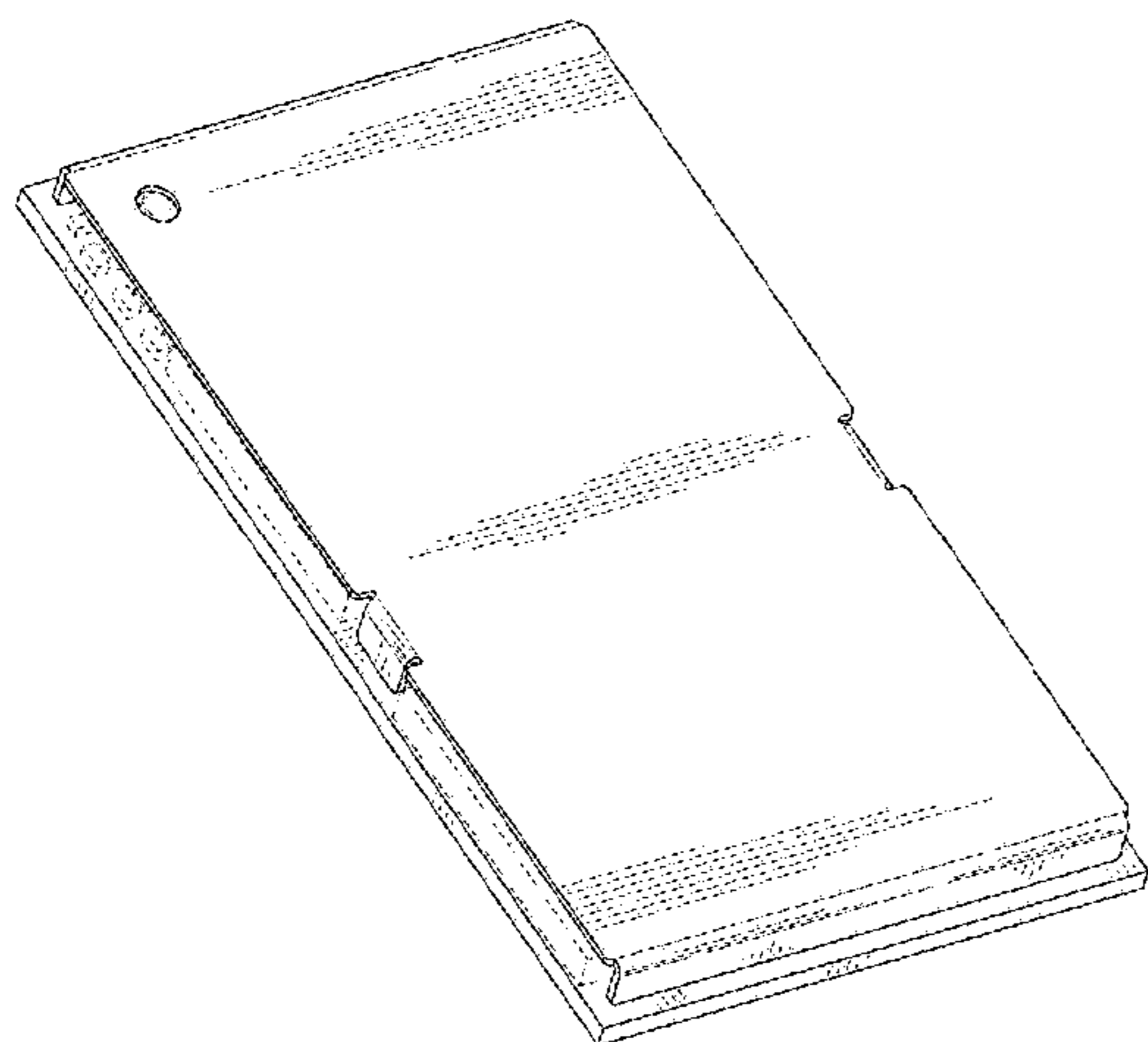
(57) **CLAIM**

The ornamental design for a connection module, as shown and described.

DESCRIPTION

FIG. 1 is a top, front, left side perspective of connection module;
 FIG. 2 is a top plan view thereof;
 FIG. 3 is a bottom plan view thereof;
 FIG. 4 is a right side elevation view thereof;
 FIG. 5 is a left side elevation view thereof;
 FIG. 6 is a rear elevation view thereof;
 FIG. 7 is a front elevation view thereof; and,
 FIG. 8 is a bottom, rear, right side perspective thereof;
 The broken lines shown in the drawings represent portions of the connection module that form no part of the claimed design.

1 Claim, 4 Drawing Sheets



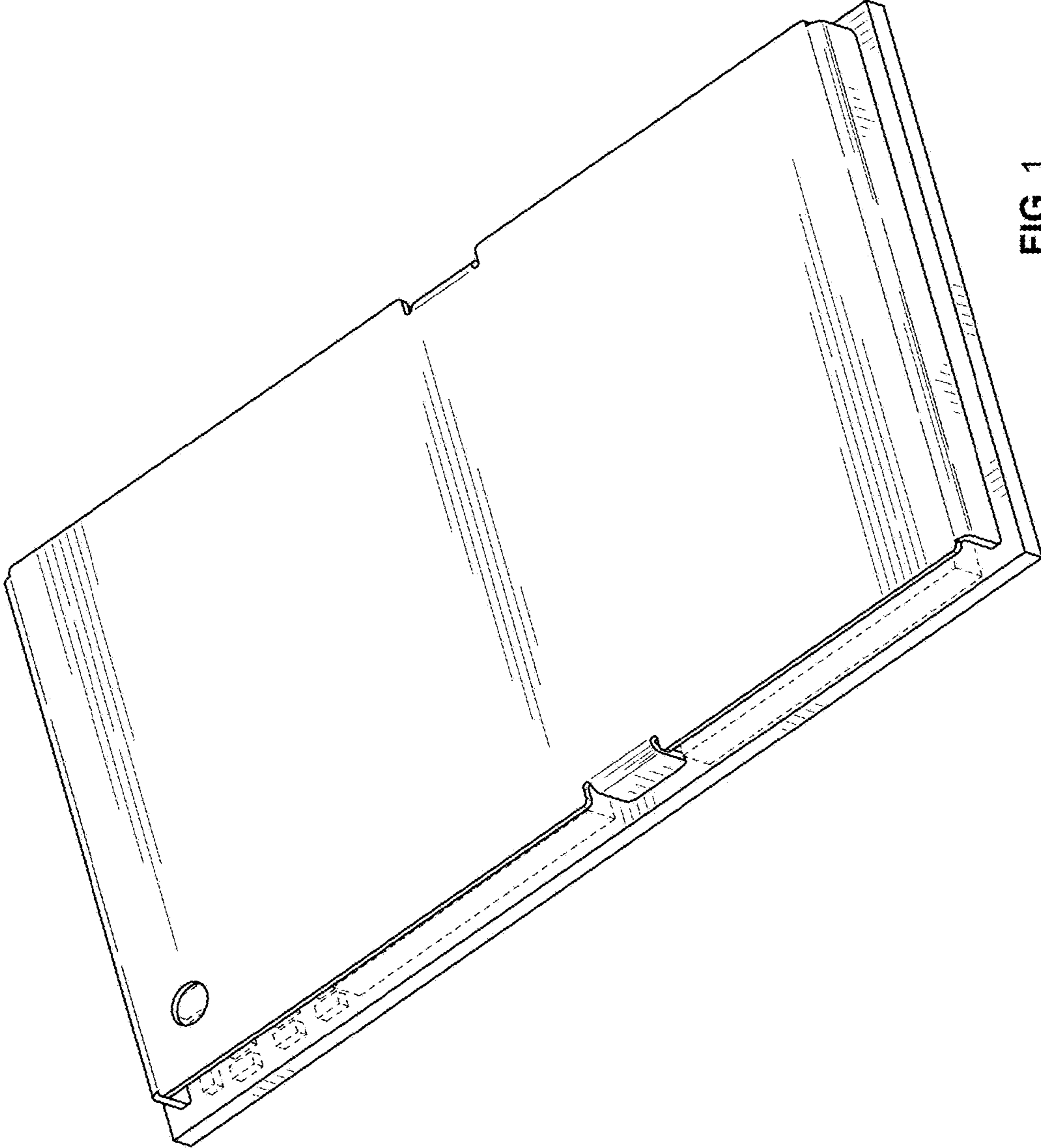


FIG. 1

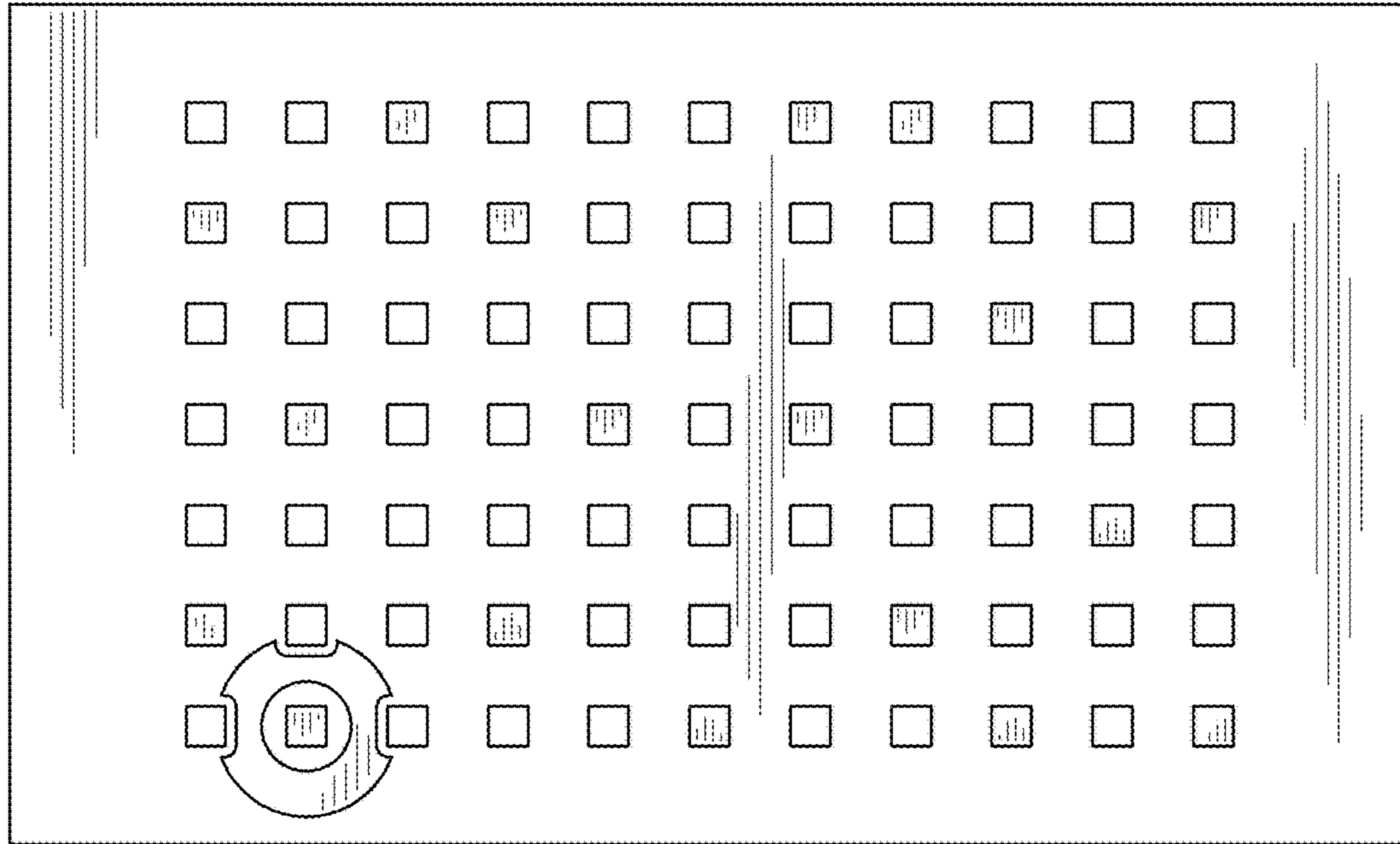


FIG. 3

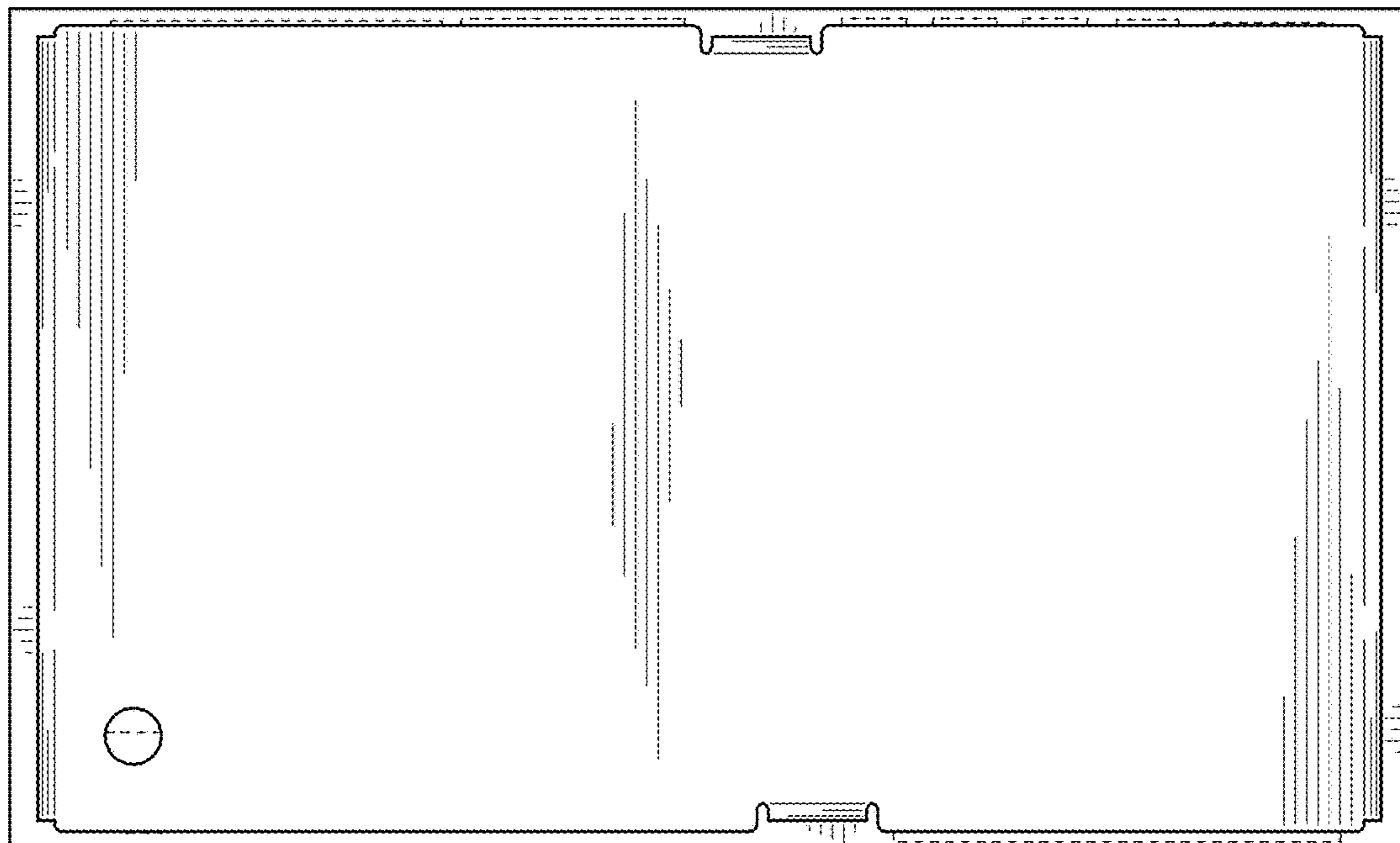


FIG. 2

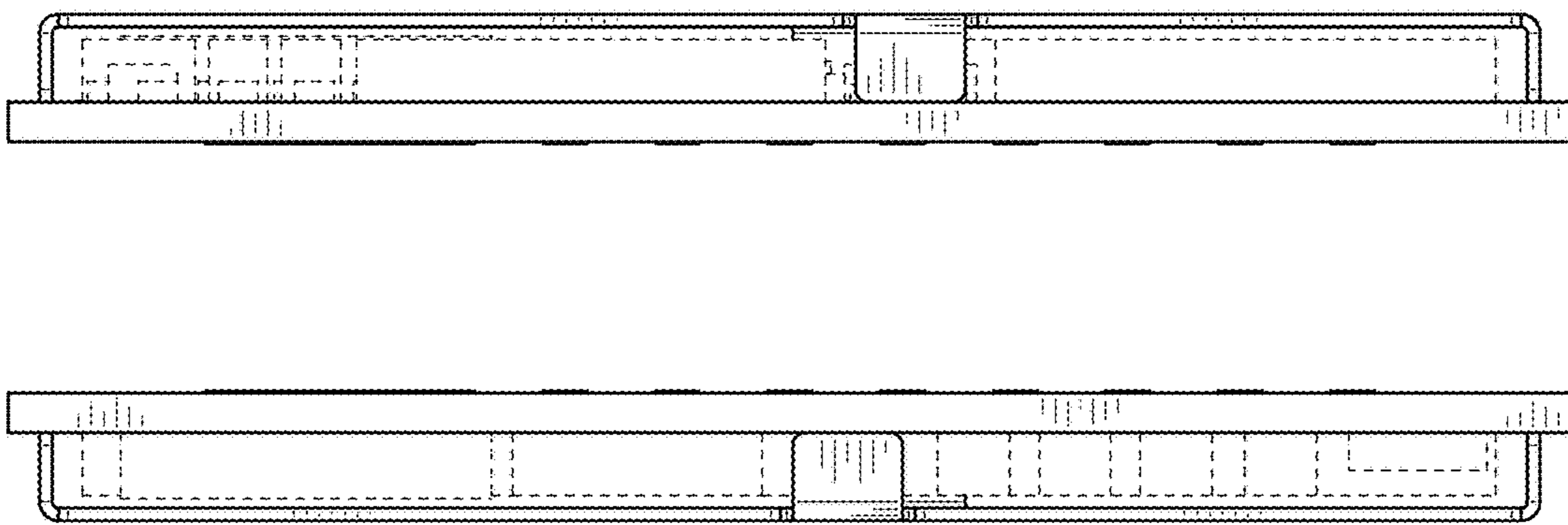


FIG. 5

FIG. 4

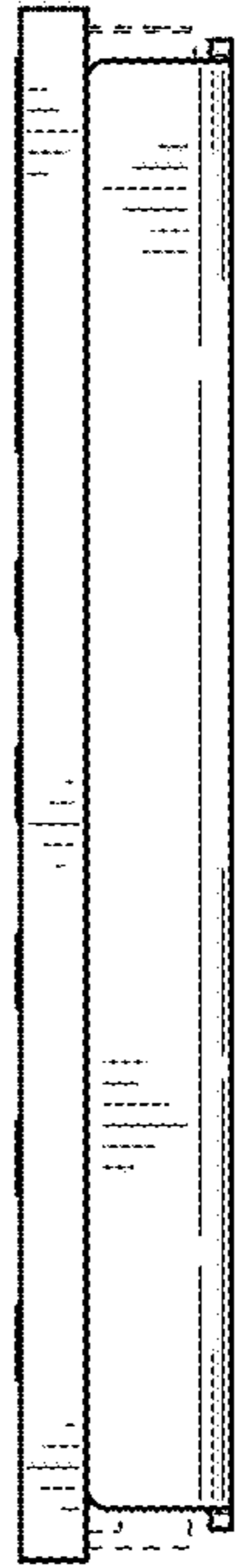


FIG. 6

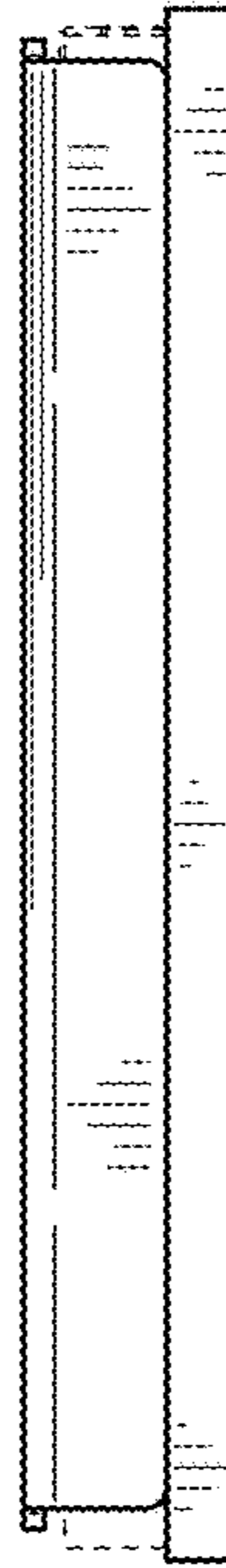


FIG. 7

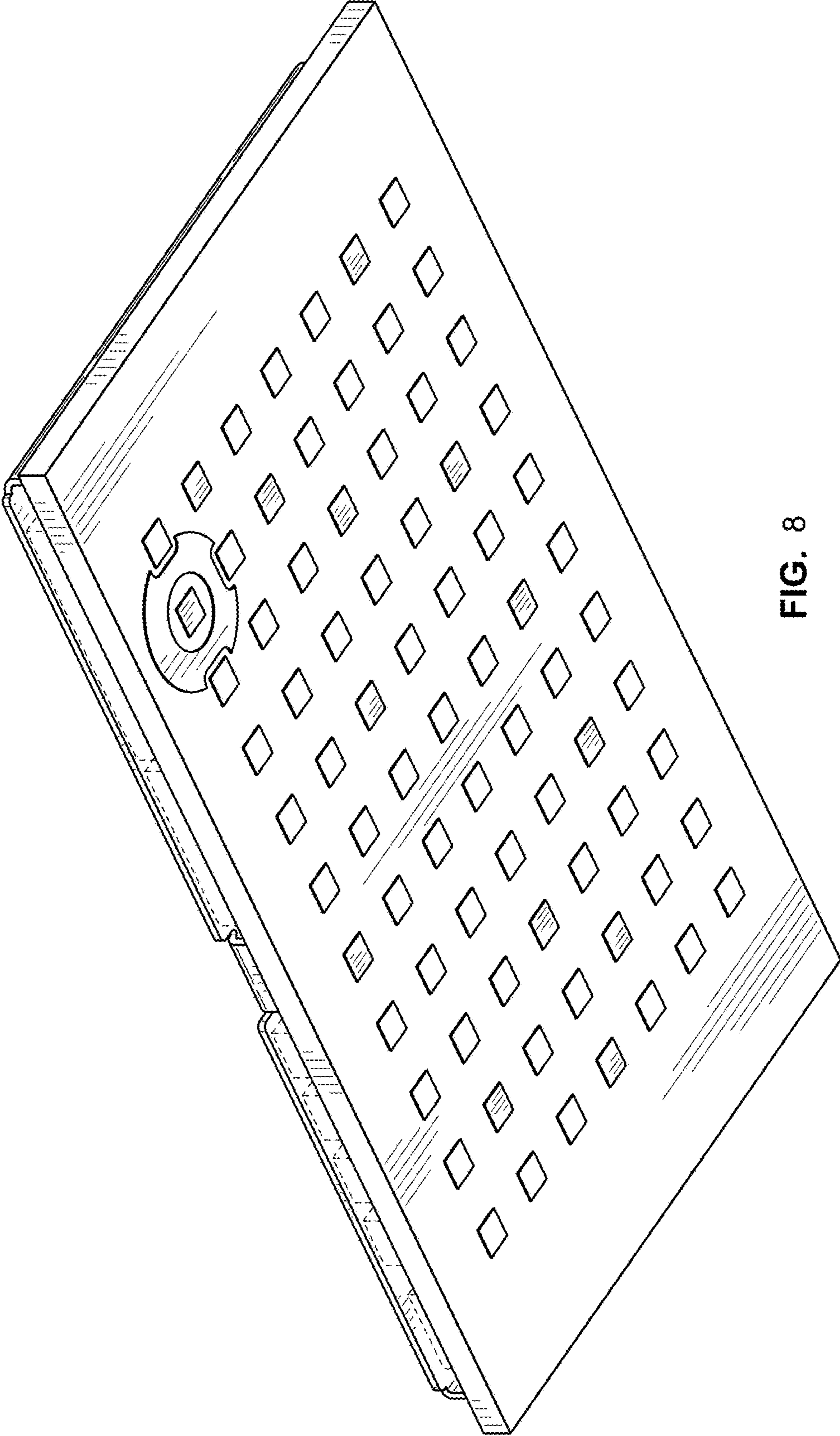


FIG. 8