



US00D821330S

(12) **United States Design Patent**
Nakanishi et al.

(10) **Patent No.:** **US D821,330 S**
(45) **Date of Patent:** **** Jun. 26, 2018**

(54) **OPTICAL FIBER ARRAY**

FOREIGN PATENT DOCUMENTS

(71) Applicant: **Sumitomo Electric Industries, Ltd.**,
Osaka-shi (JP)

JP D1130291 S 12/2001
JP D1512456 S 11/2014

(72) Inventors: **Tetsuya Nakanishi**, Yokohama (JP);
Yuuichi Mitose, Yokohama (JP);
Hiroshi Kohda, Yokohama (JP);
Takashi Sasaki, Yokohama (JP); **Jun Ito**,
Yokohama (JP); **Takeyuki Ishii**,
Yokohama (JP)

OTHER PUBLICATIONS

Office Action in counterpart Vietnamese Design Patent Application
No. 3-2015-01638 dated Feb. 14, 2017.

Primary Examiner — Daniel Bui

(73) Assignee: **Sumitomo Electric Industries, Ltd.**,
Osaka-shi (JP)

(74) *Attorney, Agent, or Firm* — Venable LLP; Michael
A. Sartori; Laura G. Remus

(**) Term: **15 Years**

(57) **CLAIM**

(21) Appl. No.: **29/615,144**

The ornamental design for an optical fiber array, as shown
and described.

(22) Filed: **Aug. 25, 2017**

DESCRIPTION

Related U.S. Application Data

(62) Division of application No. 29/540,590, filed on Sep.
25, 2015.

FIG. 1 is a front elevation view of an optical fiber array
showing our new design.

(30) **Foreign Application Priority Data**

Mar. 25, 2015 (JP) 2015-006455
Jun. 23, 2015 (JP) 2015-013844

FIG. 2 is a rear elevation view thereof.

FIG. 3 is a top plan view thereof.

(51) **LOC (11) Cl.** **13-03**

FIG. 4 is a bottom plan view thereof.

(52) **U.S. Cl.**
USPC **D13/147**

FIG. 5 is a right side elevation view thereof.

FIG. 6 is a left side elevation view thereof.

(58) **Field of Classification Search**
USPC D13/123, 133, 147, 154, 184, 199

FIG. 7 is a top perspective view thereof.

FIG. 8 is an enlarged view of the portion "8" of FIG. 1.

FIG. 9 is an enlarged view of the portion "9" of FIG. 3.

FIG. 10 is an enlarged view of the portion "10" of FIG. 4.

FIG. 11 is an enlarged view of the portion "11" of FIG. 7.

FIG. 12 is an enlarged right side elevation view thereof.

FIG. 13 is an enlarged left side elevation view thereof; and,

FIG. 14 is a top perspective view thereof, in use condition.

The features shown in broken lines depict environmental
subject matter only and form no part of the claimed design.

The broken lines having alternating long and short segments
define bounds of the claimed design and form no part hereof.

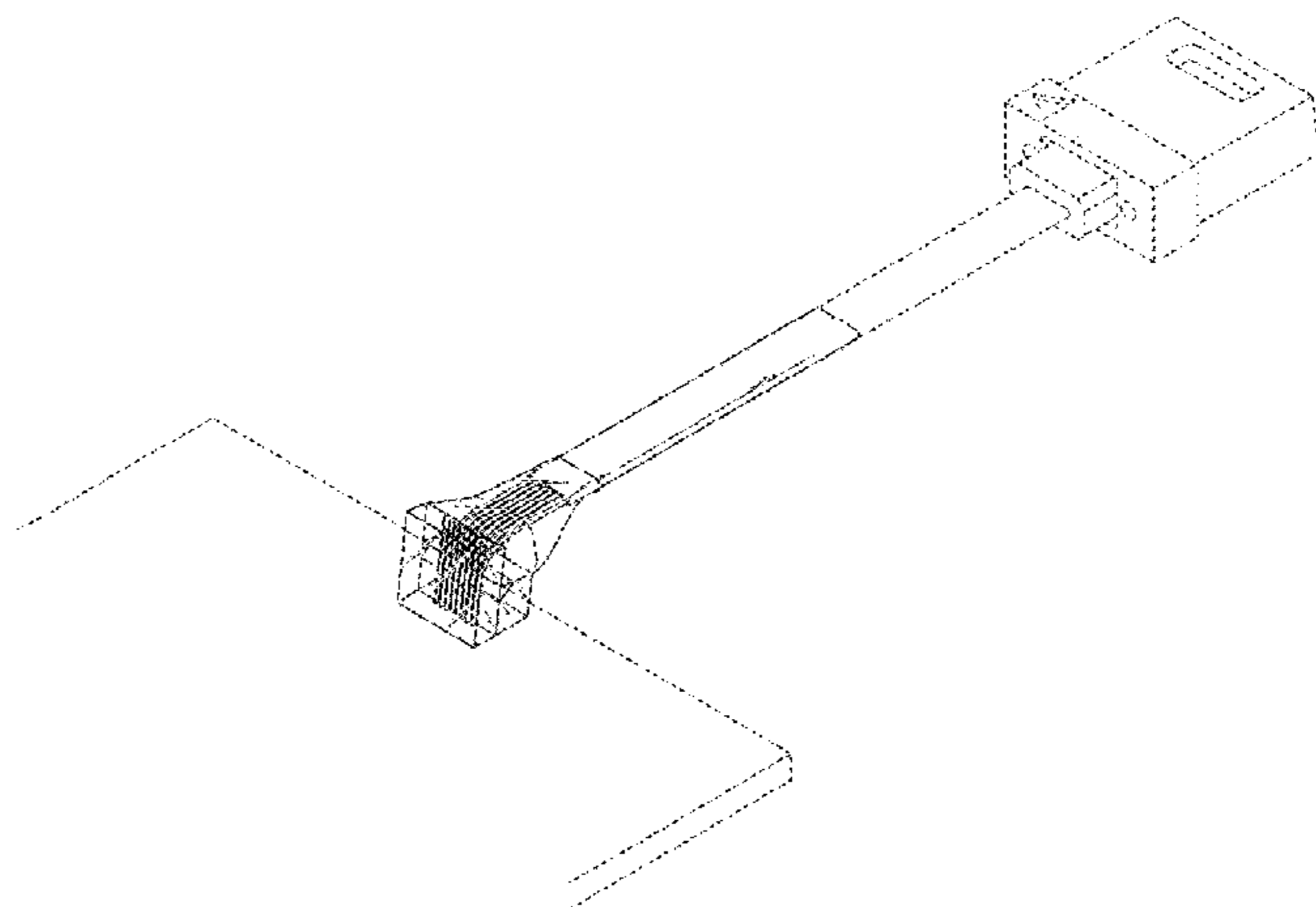
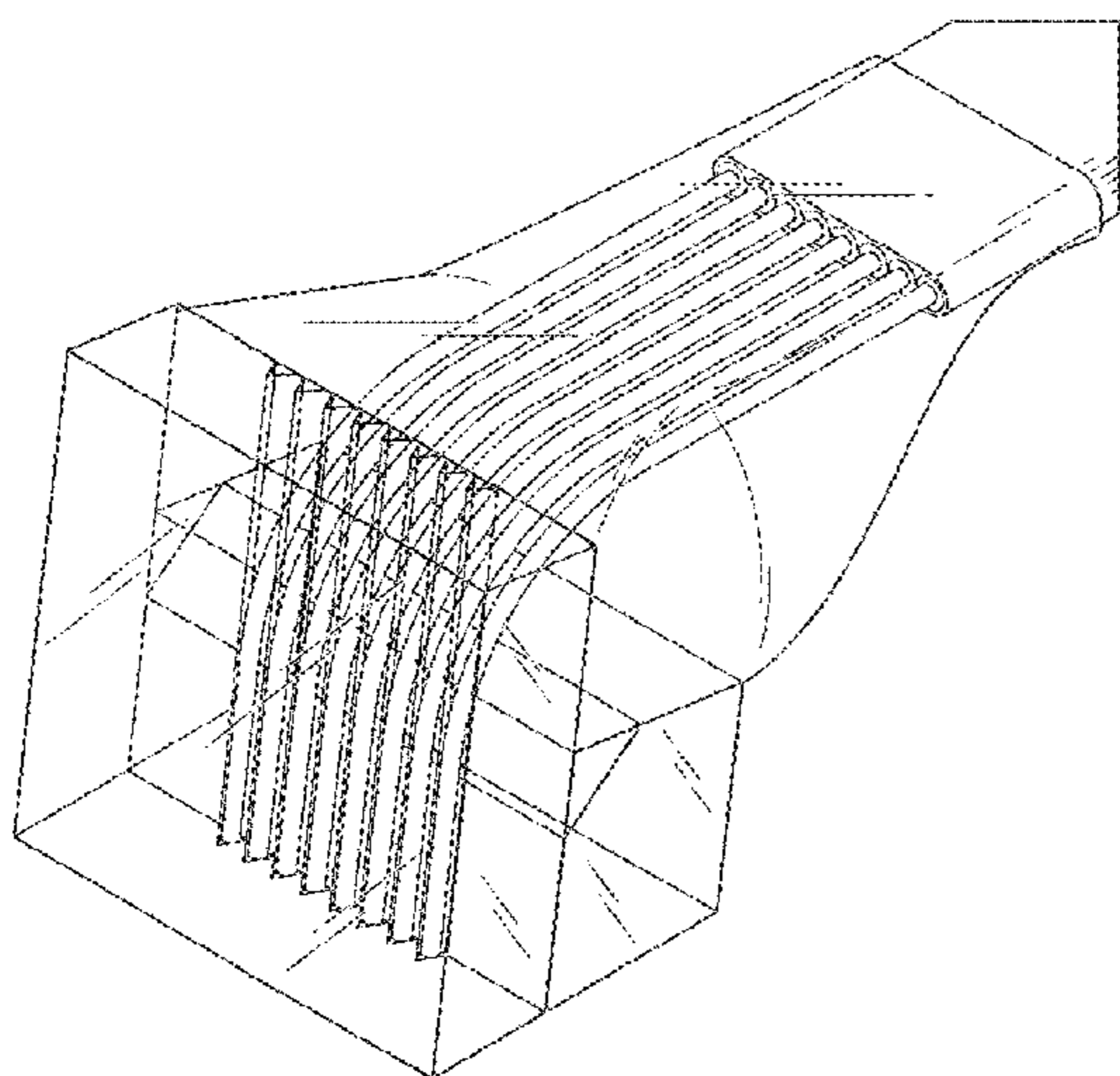
(56) **References Cited**

U.S. PATENT DOCUMENTS

D777,681 S 1/2017 Okamoto et al.
D778,840 S 2/2017 Okamoto et al.

(Continued)

1 Claim, 14 Drawing Sheets



(58) **Field of Classification Search**

CPC ... G02B 6/24; G02B 6/32; G02B 6/36; G02B
6/38; G02B 6/42; G02B 6/44; G02B 6/46

See application file for complete search history.

(56) **References Cited**

U.S. PATENT DOCUMENTS

D788,042	S	5/2017	Okamoto et al.	
D799,430	S	* 10/2017	Nakanishi	D13/147
2015/0226924	A1	8/2015	McColloch	
2015/0234126	A1	8/2015	Haase et al.	
2015/0293317	A1	10/2015	Kim et al.	
2015/0331201	A1	11/2015	Takano et al.	
2016/0161686	A1	6/2016	Li et al.	
2016/0291261	A1	10/2016	Izumi et al.	

* cited by examiner

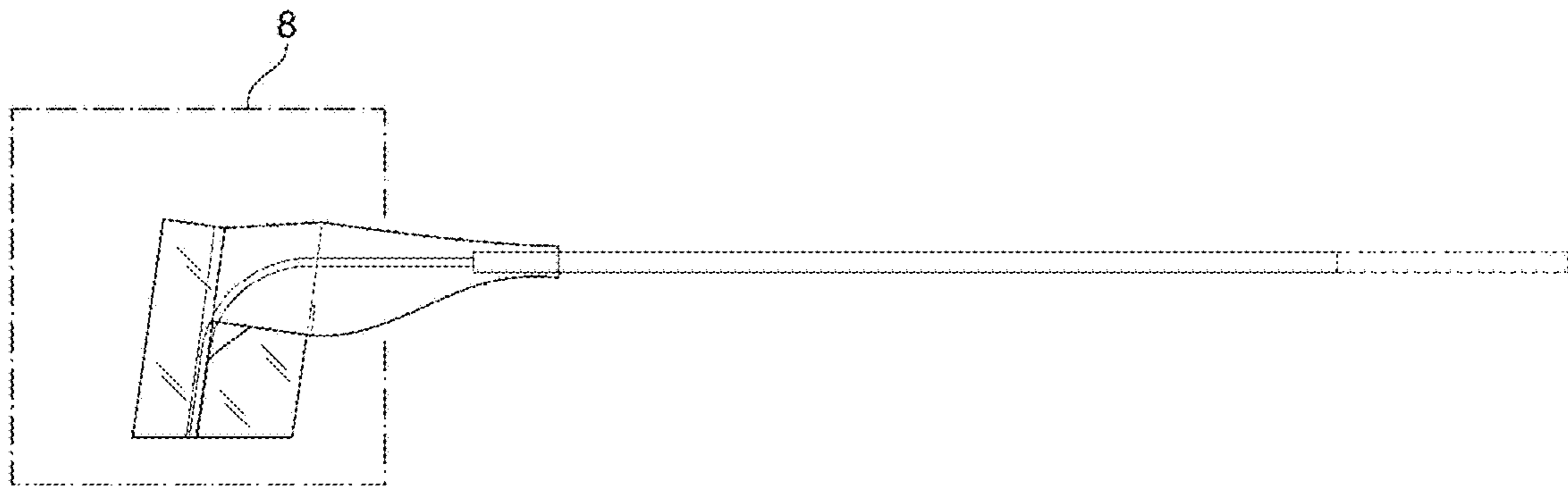


FIG. 1

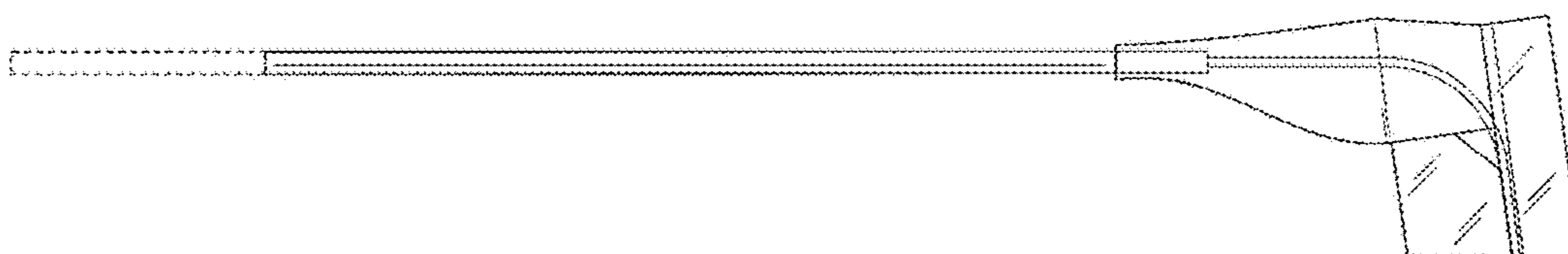


FIG. 2

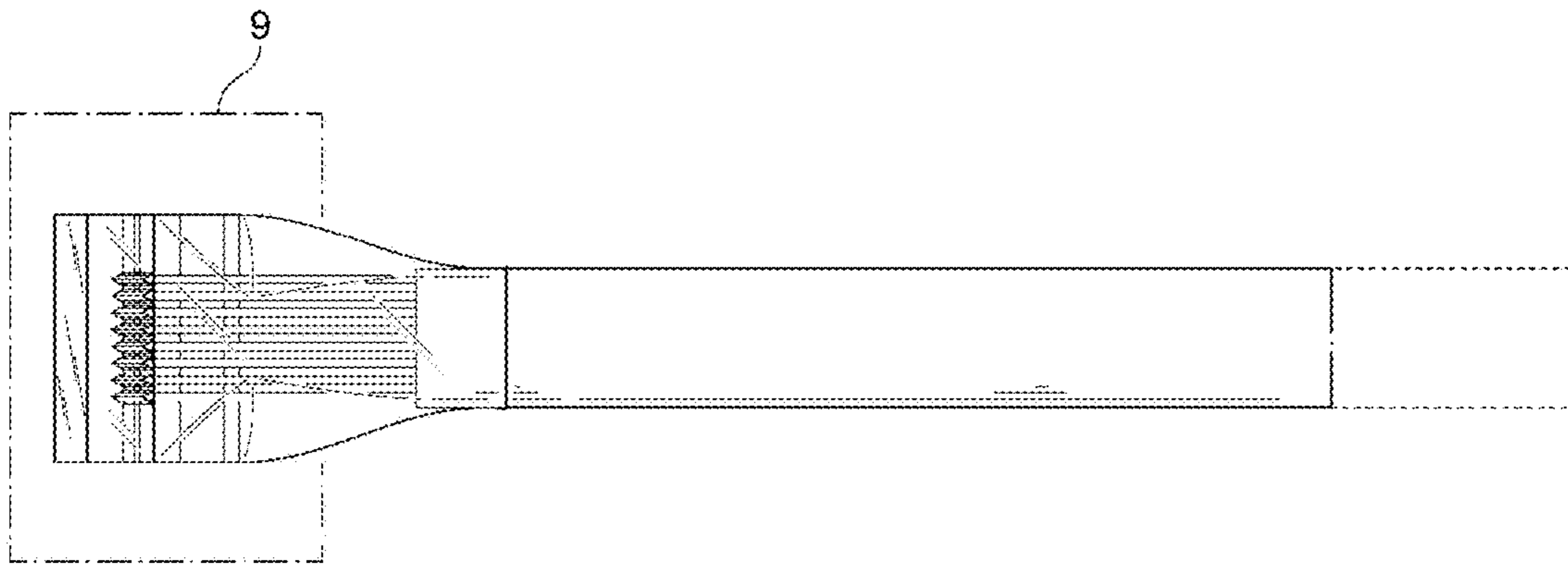


FIG. 3

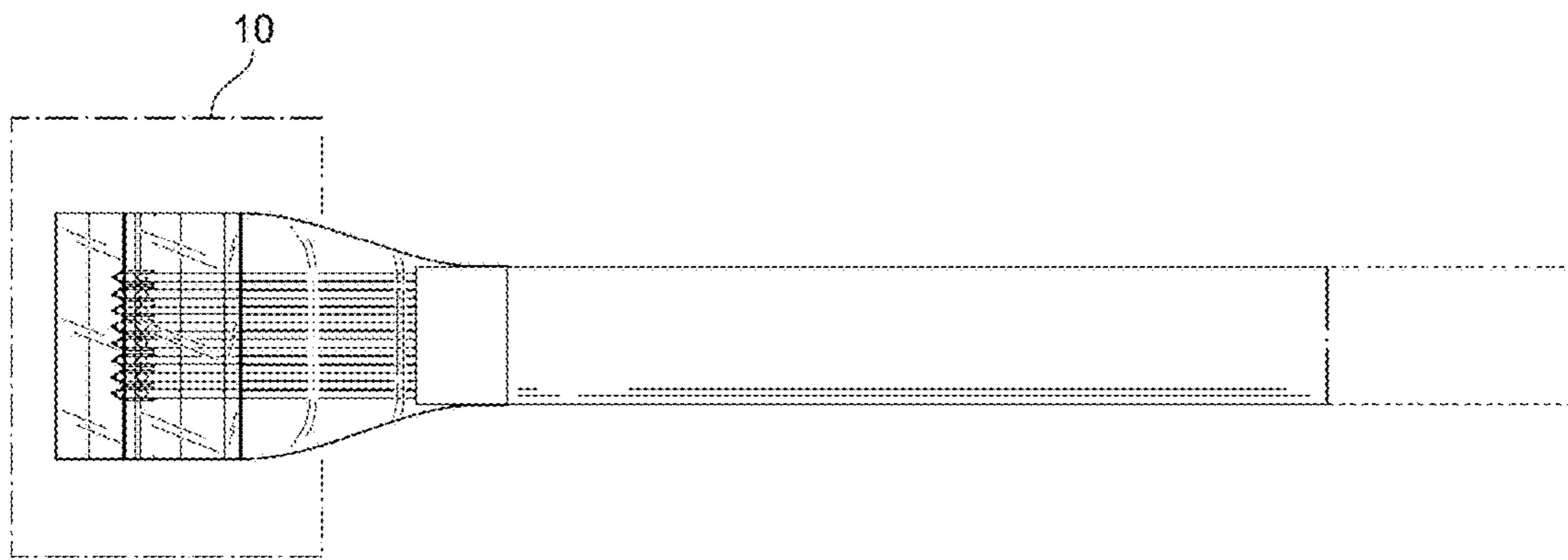


FIG. 4

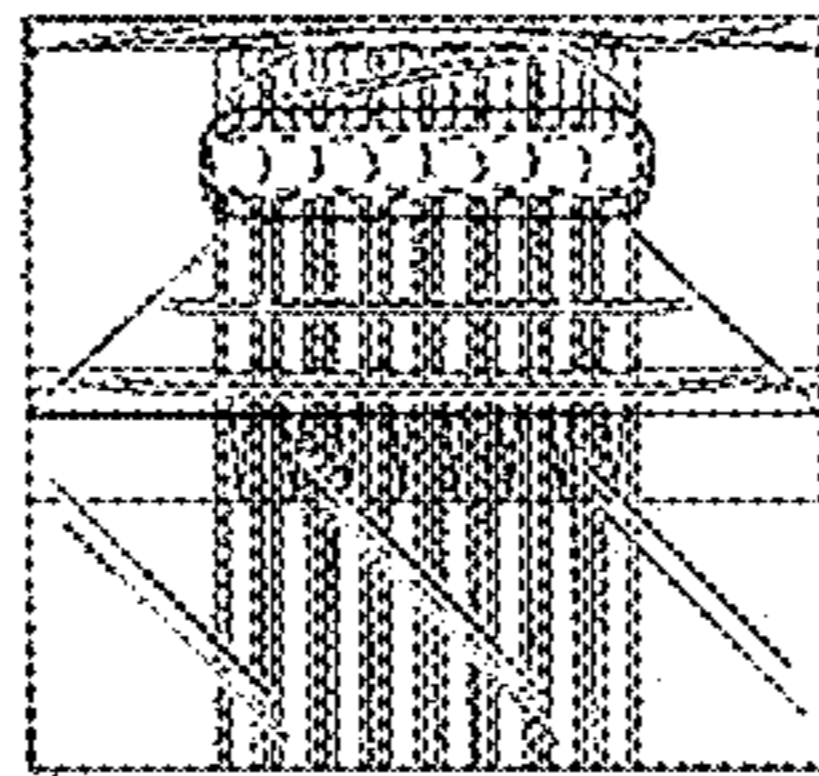


FIG. 5

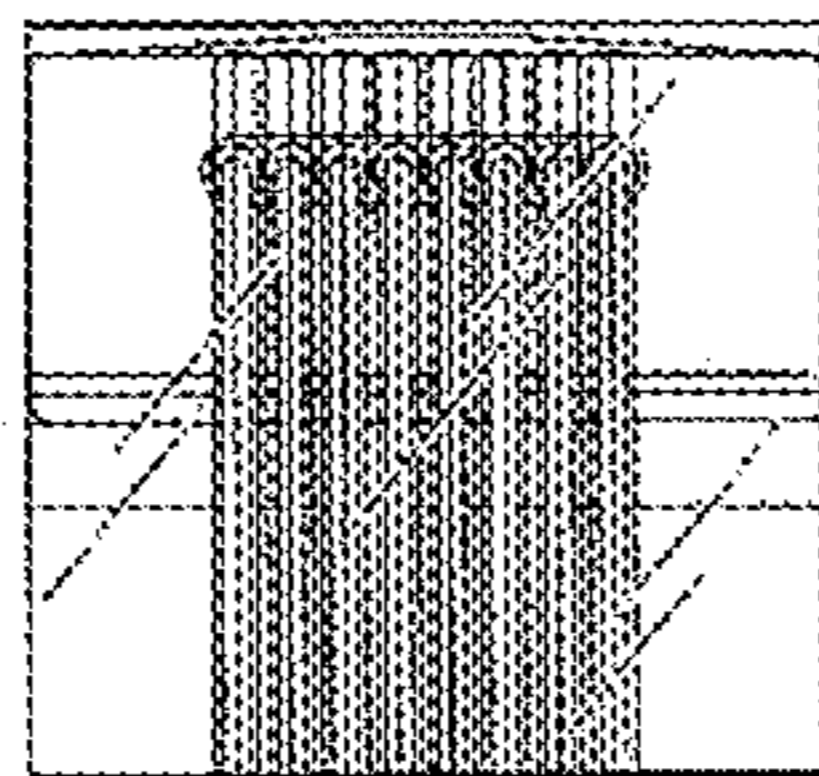


FIG. 6

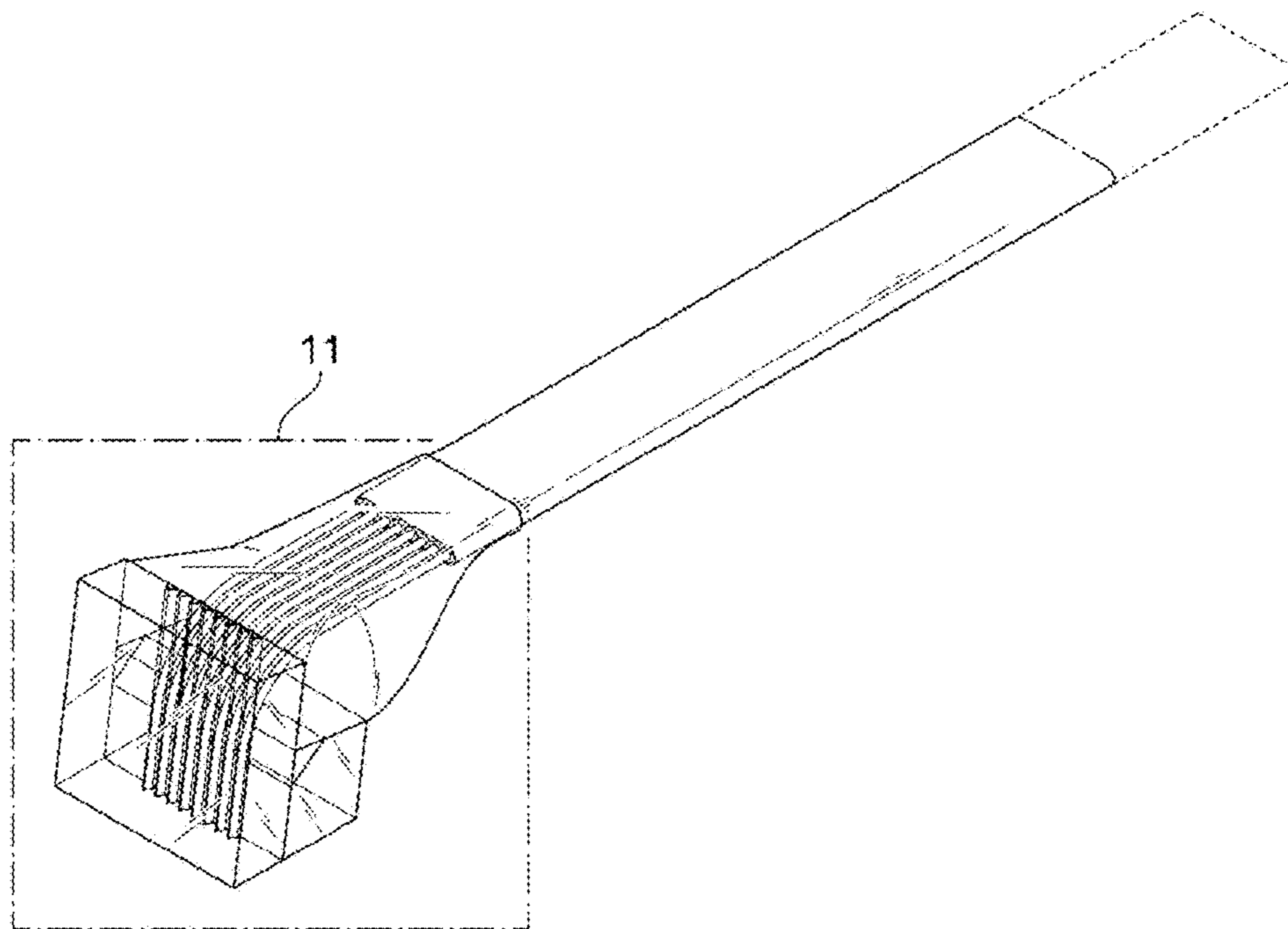


FIG. 7

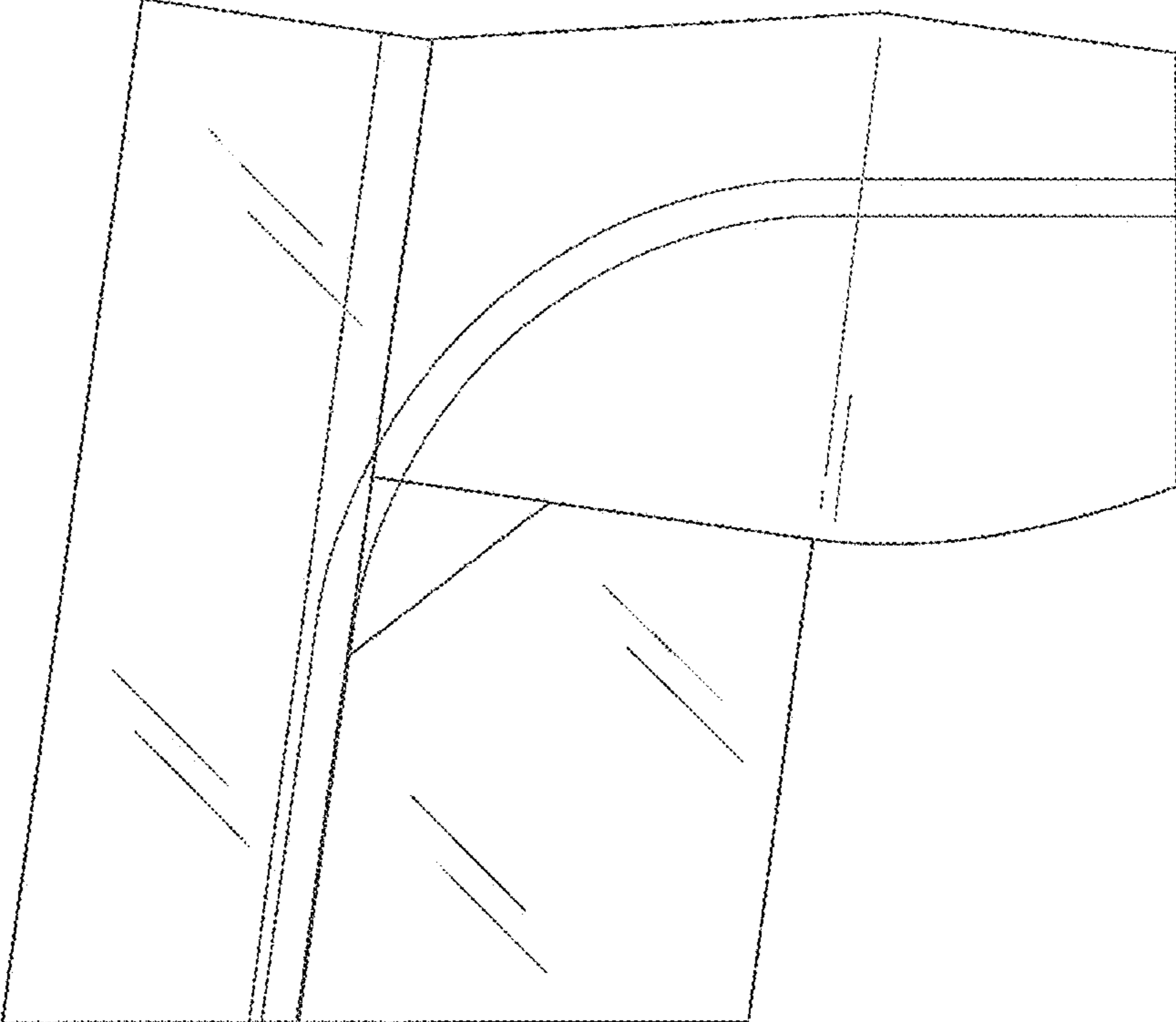


FIG. 8

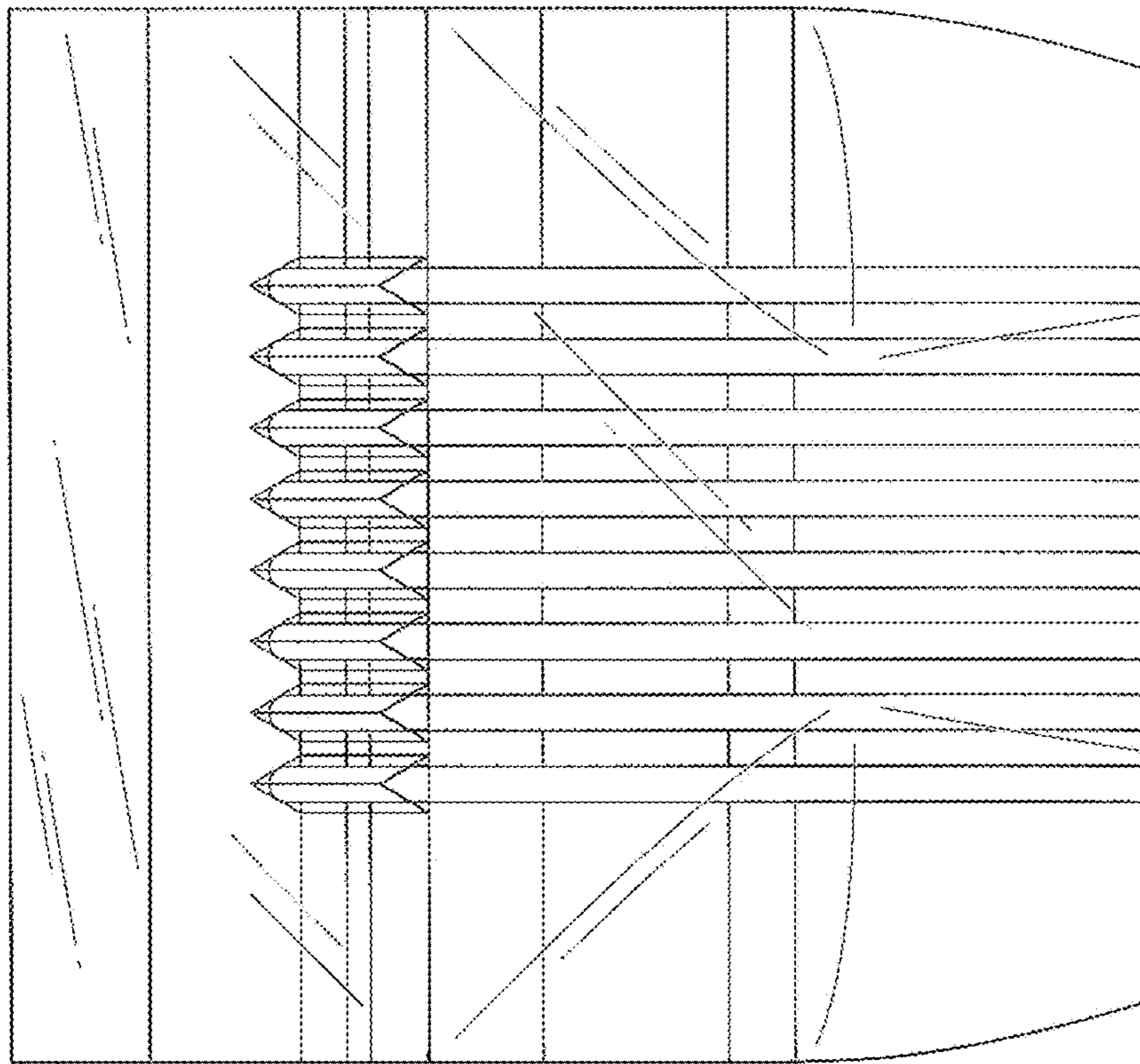


FIG. 9

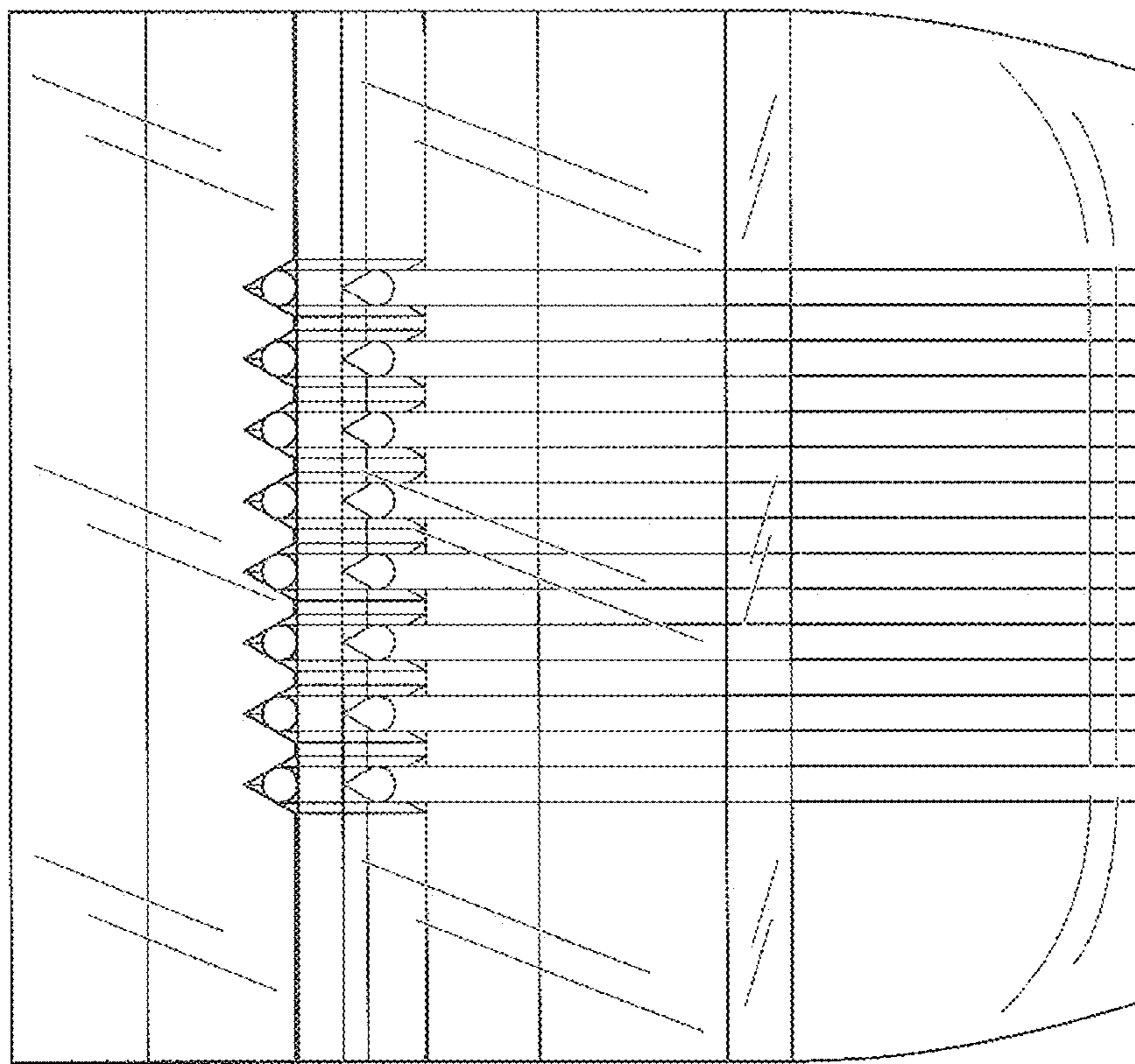


FIG. 10

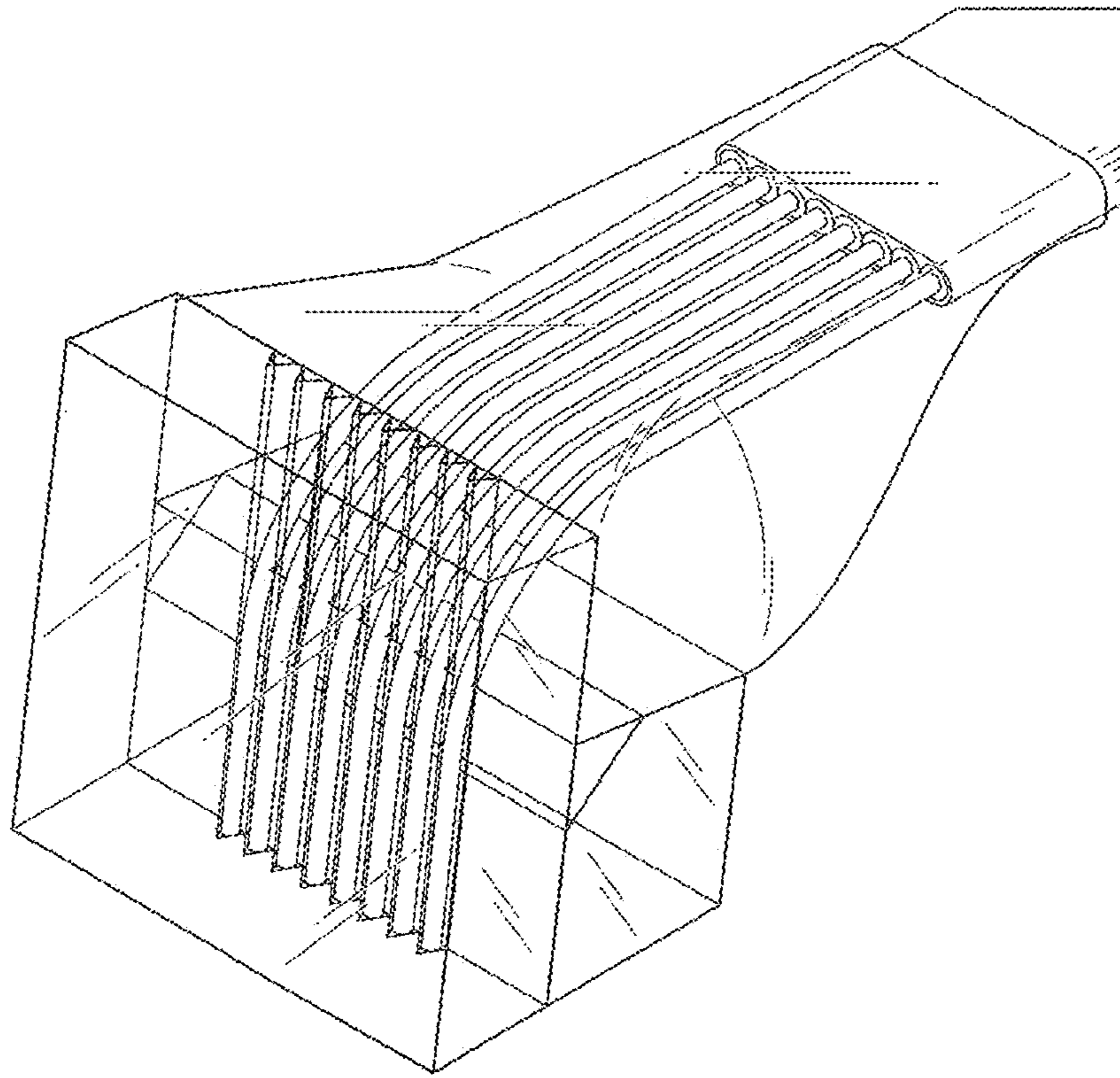


FIG. 11

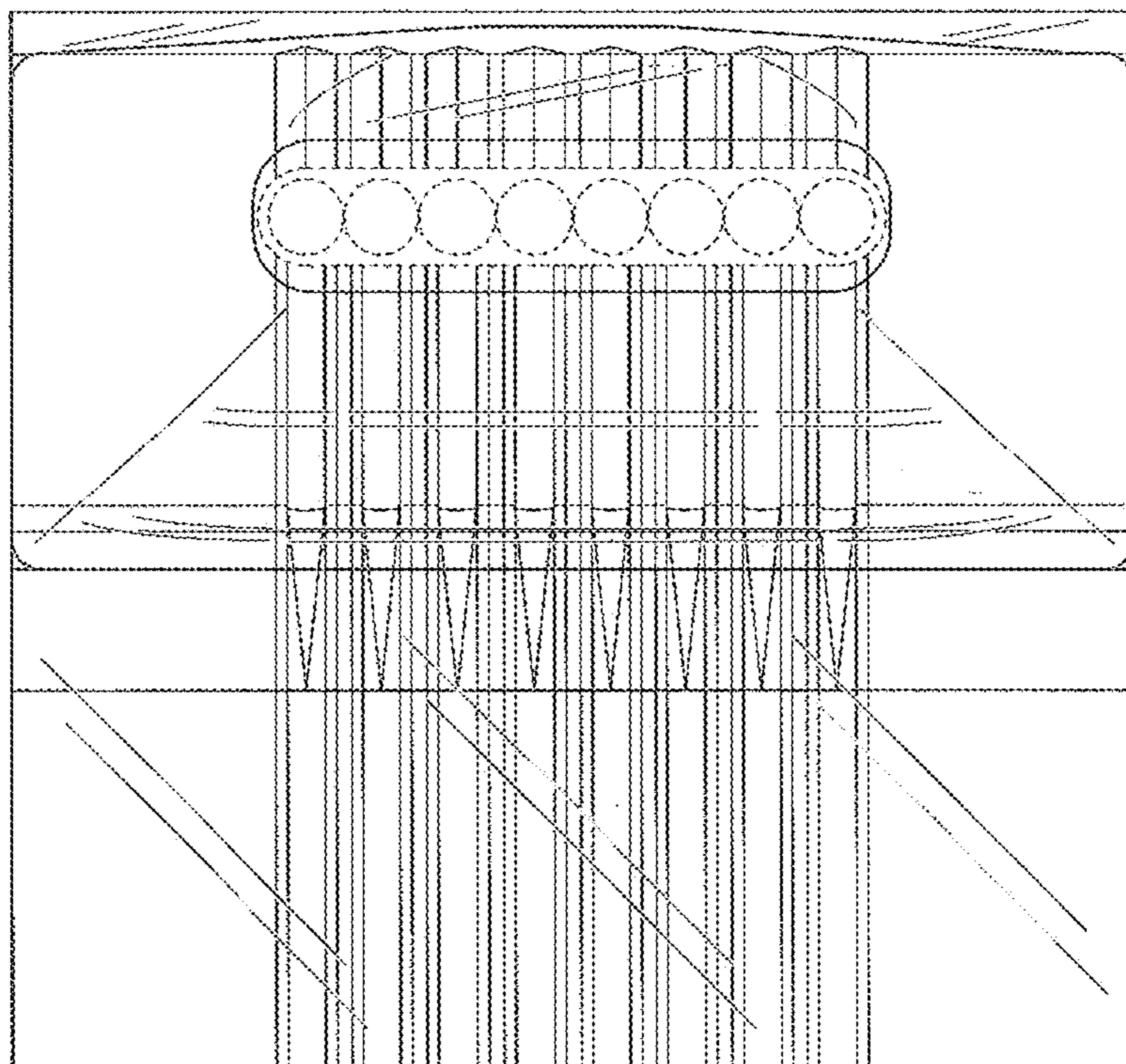


FIG. 12

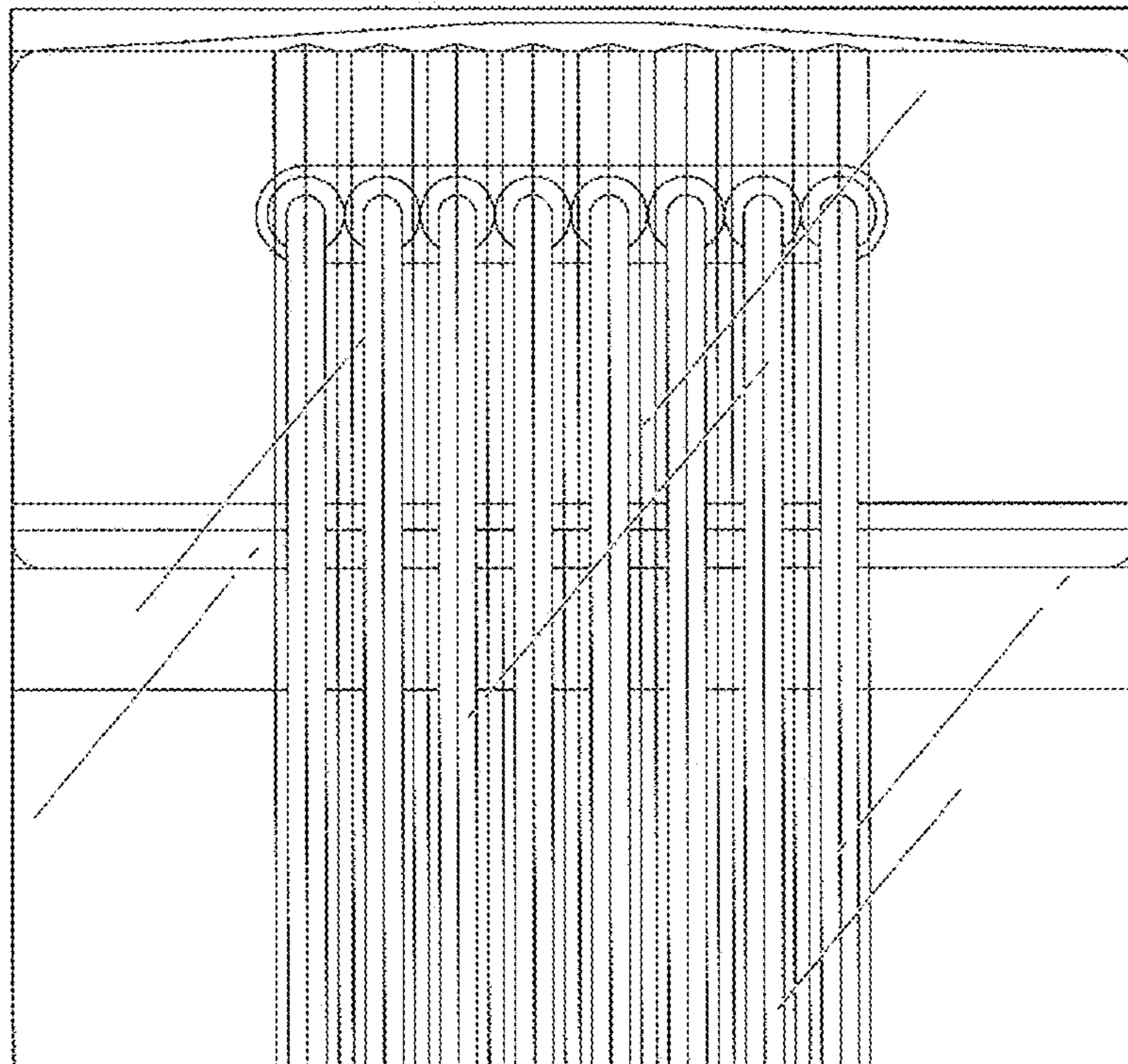


FIG. 13

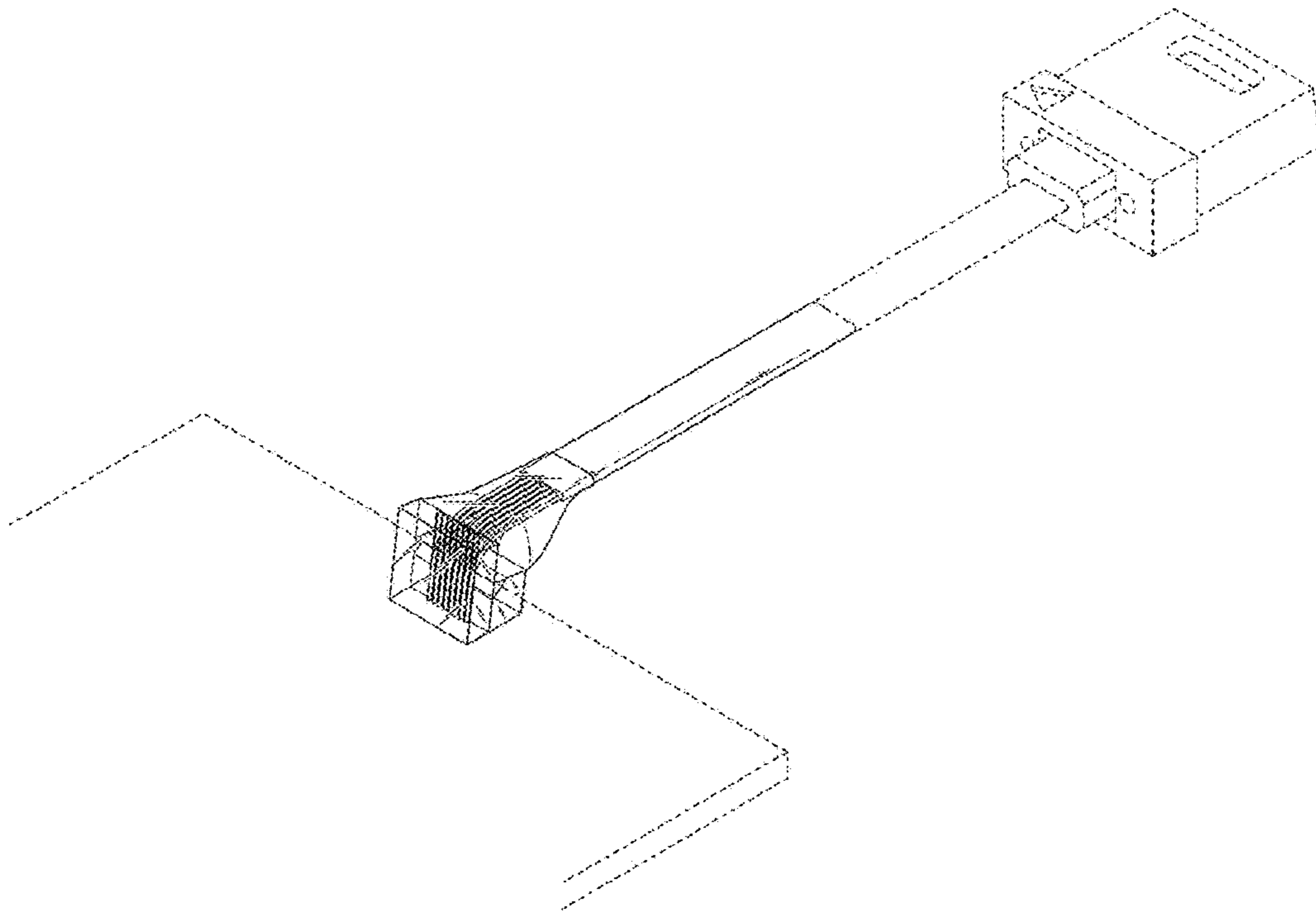


FIG. 14