



US00D821329S

(12) **United States Design Patent**
Chen

(10) **Patent No.:** **US D821,329 S**
(45) **Date of Patent:** **** Jun. 26, 2018**

(54) **POWER ADAPTER FOR VEHICLE**

(71) Applicant: **TANG YANG DIES CO., LTD.**, New Taipei (TW)

(72) Inventor: **Hsu-Chen Chen**, New Taipei (TW)

(73) Assignee: **TANG YANG DIES CO., LTD.**, New Taipei (TW)

(**) Term: **15 Years**

(21) Appl. No.: **29/586,331**

(22) Filed: **Dec. 2, 2016**

(51) **LOC (11) Cl.** **13-03**

(52) **U.S. Cl.**
USPC **D13/144**

(58) **Field of Classification Search**
USPC D13/144, 107, 110, 118, 119, 120, 133,
D13/154, 184, 199; D14/155, 217, 433;
320/65, 107, 108, 109; 363/13, 146;
439/300, 620, 638, 668, 669, 675, 825
CPC H01R 24/58; H01R 2201/26; B60N 3/14;
B60R 2011/005
See application file for complete search history.

(56) **References Cited**

U.S. PATENT DOCUMENTS

D398,287 S * 9/1998 Luminosu D13/107
D409,568 S * 5/1999 Lindahl D13/107
D505,935 S * 6/2005 Bey D13/144
D506,455 S * 6/2005 Bey D13/144

D525,938 S * 8/2006 Seil D13/144
D620,441 S * 7/2010 Hou D13/144
D625,266 S * 10/2010 Bau D13/108
D628,149 S * 11/2010 Wu D13/108
D673,504 S * 1/2013 Esses D13/144
D743,885 S * 11/2015 Nazar D13/108
D778,822 S * 2/2017 Broadhurst, IV D13/107
D807,820 S * 1/2018 Nazar D13/108

* cited by examiner

Primary Examiner — Derrick Holland

Assistant Examiner — Jennifer O King

(74) *Attorney, Agent, or Firm* — Chun-Ming Shih; HDLS IPR Services

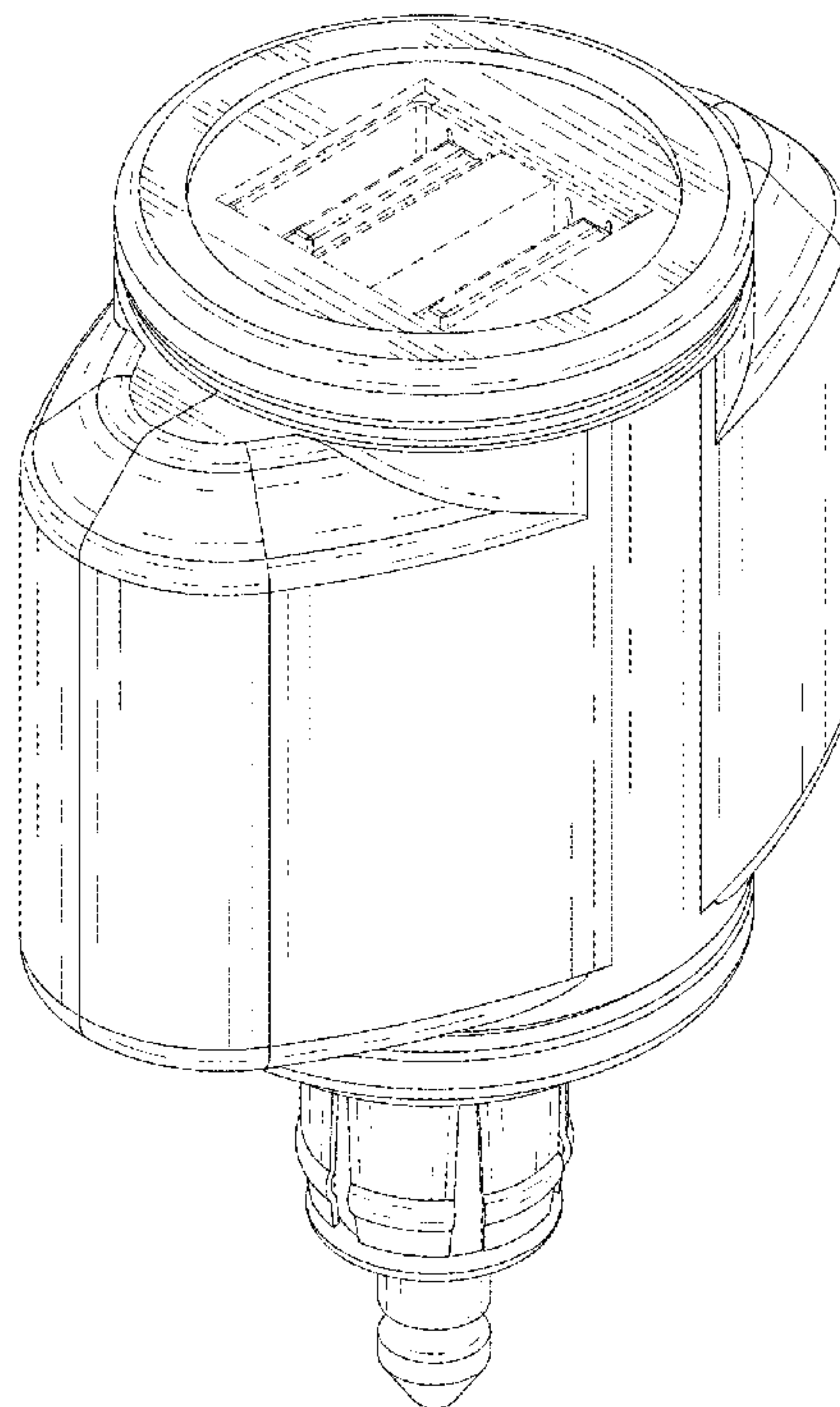
(57) **CLAIM**

The ornamental design for a power adapter for vehicle, as shown and described.

DESCRIPTION

FIG. 1 is a perspective view of a power adapter for vehicle showing my new design;
FIG. 2 is a front view thereof;
FIG. 3 is a rear view thereof;
FIG. 4 is a left side view thereof;
FIG. 5 is a right side view thereof;
FIG. 6 is a top view thereof; and,
FIG. 7 is a bottom view thereof.
The broken lines shown represent unclaimed portions of the power adapter for vehicle and form no part of the claimed design.

1 Claim, 7 Drawing Sheets



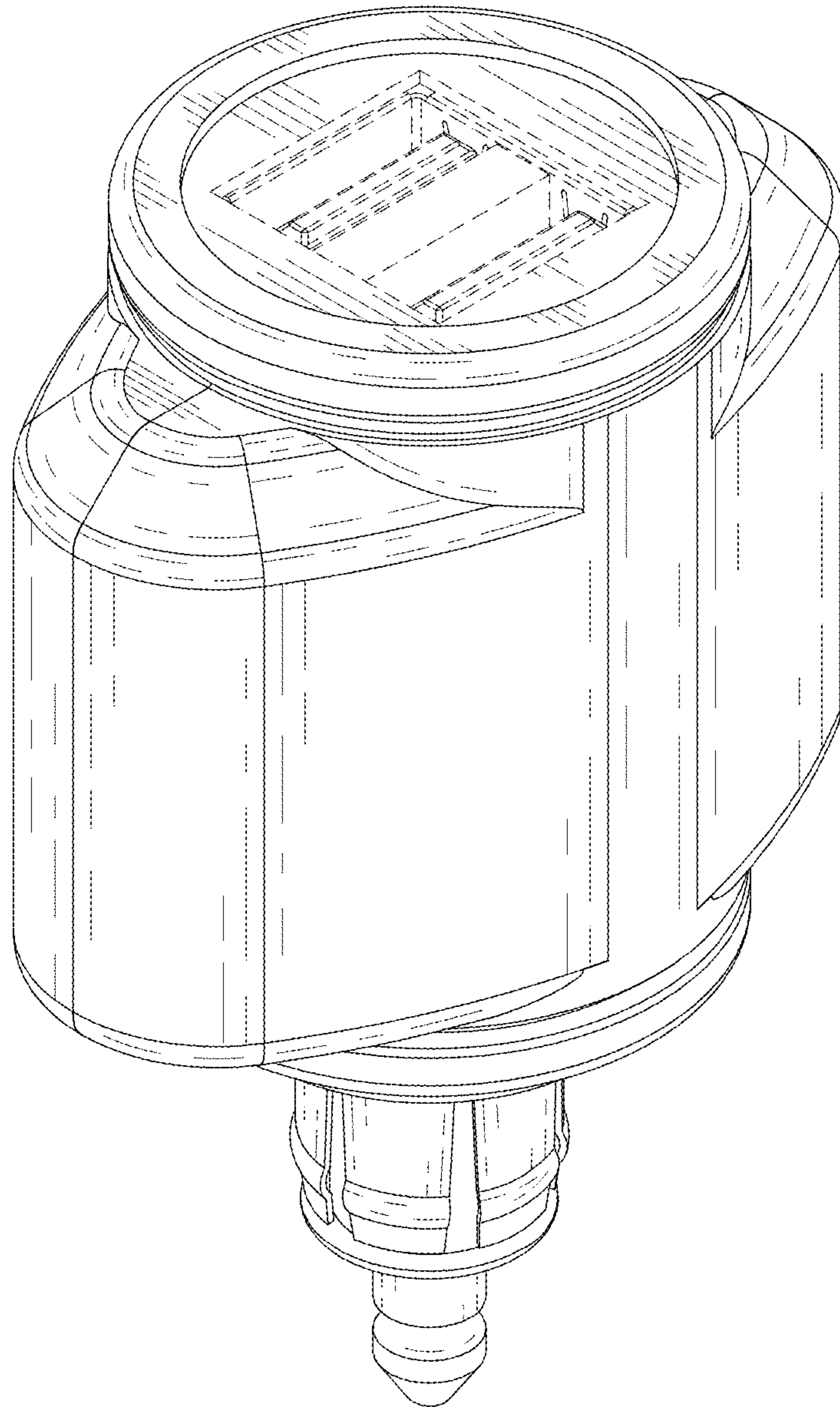


FIG.1

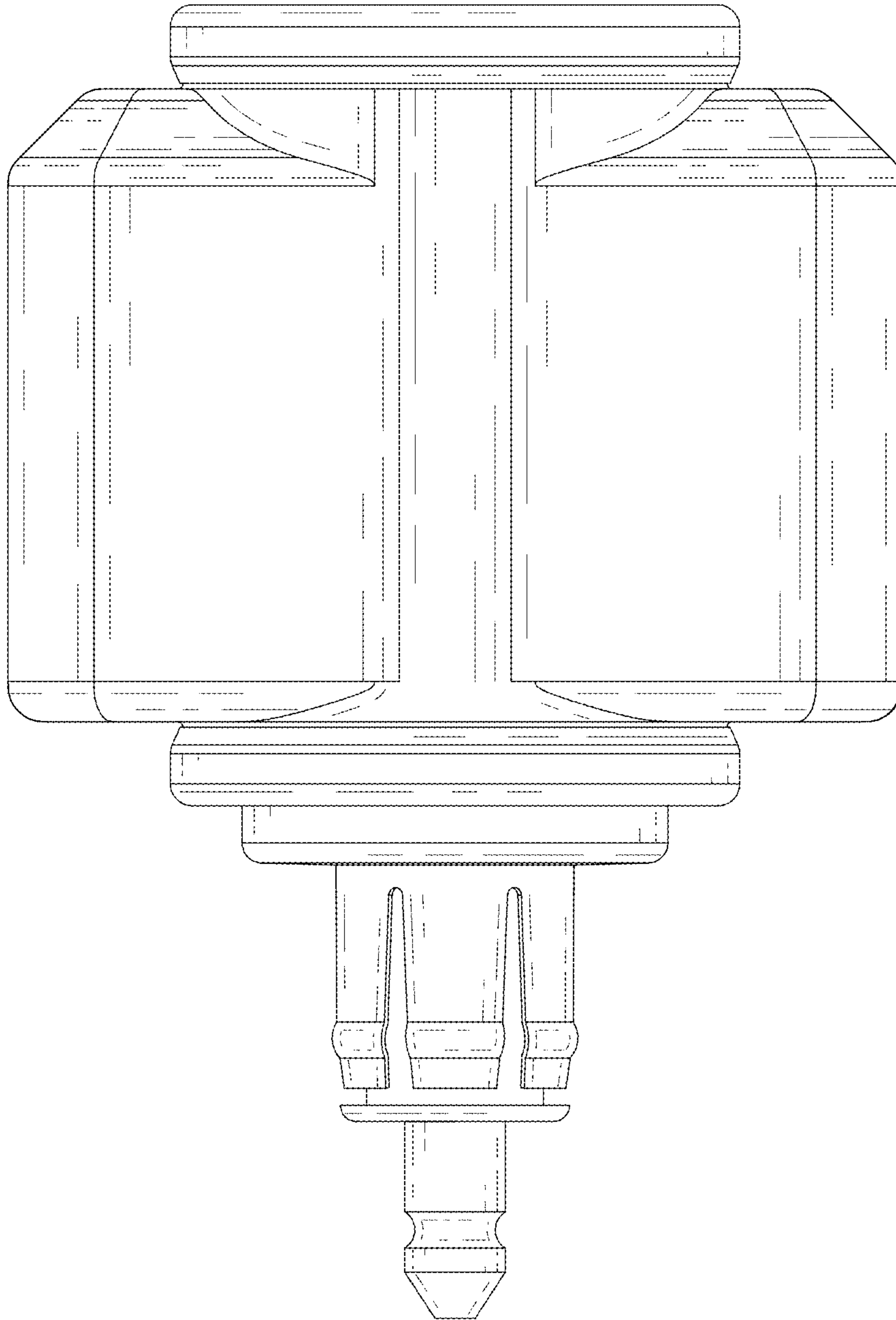


FIG.2

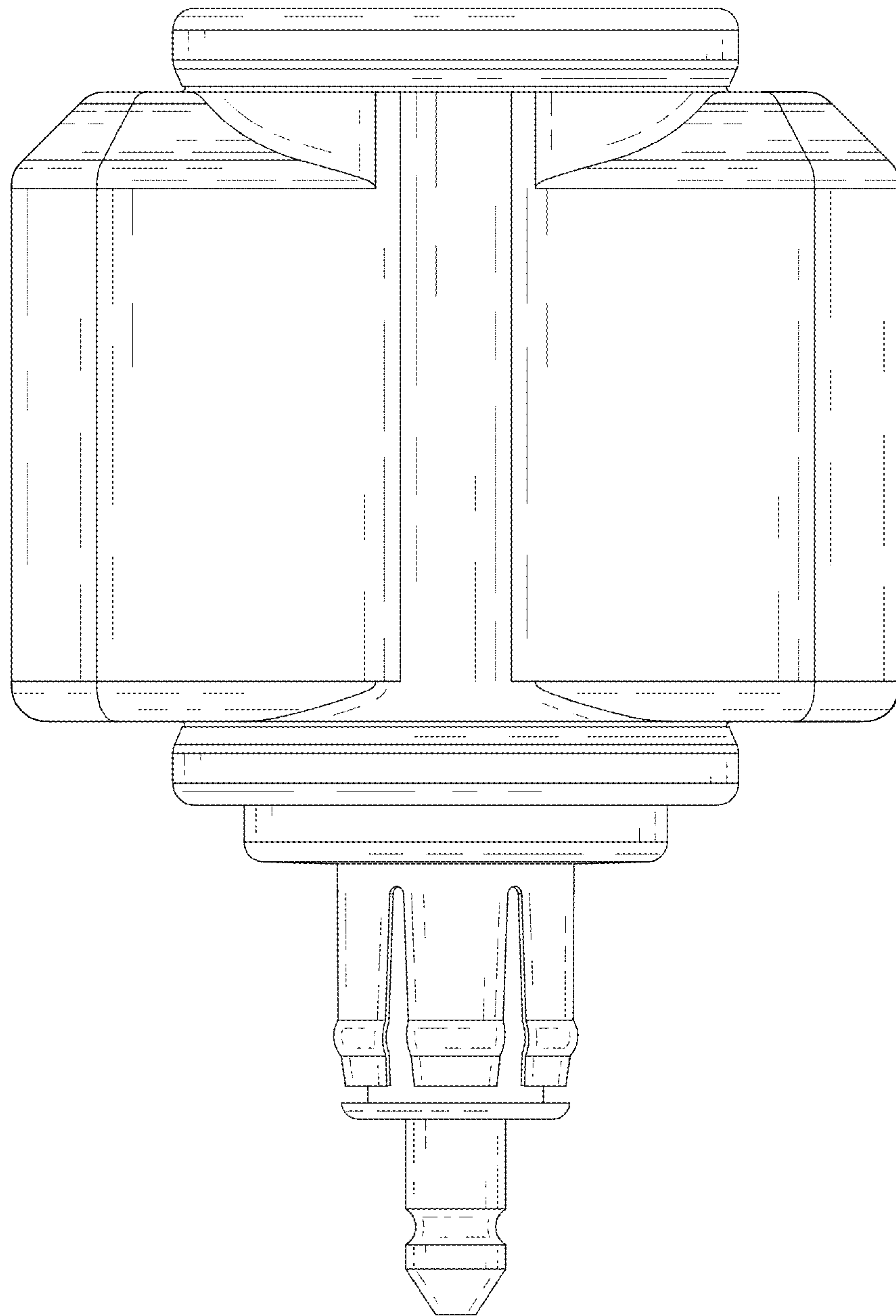


FIG.3

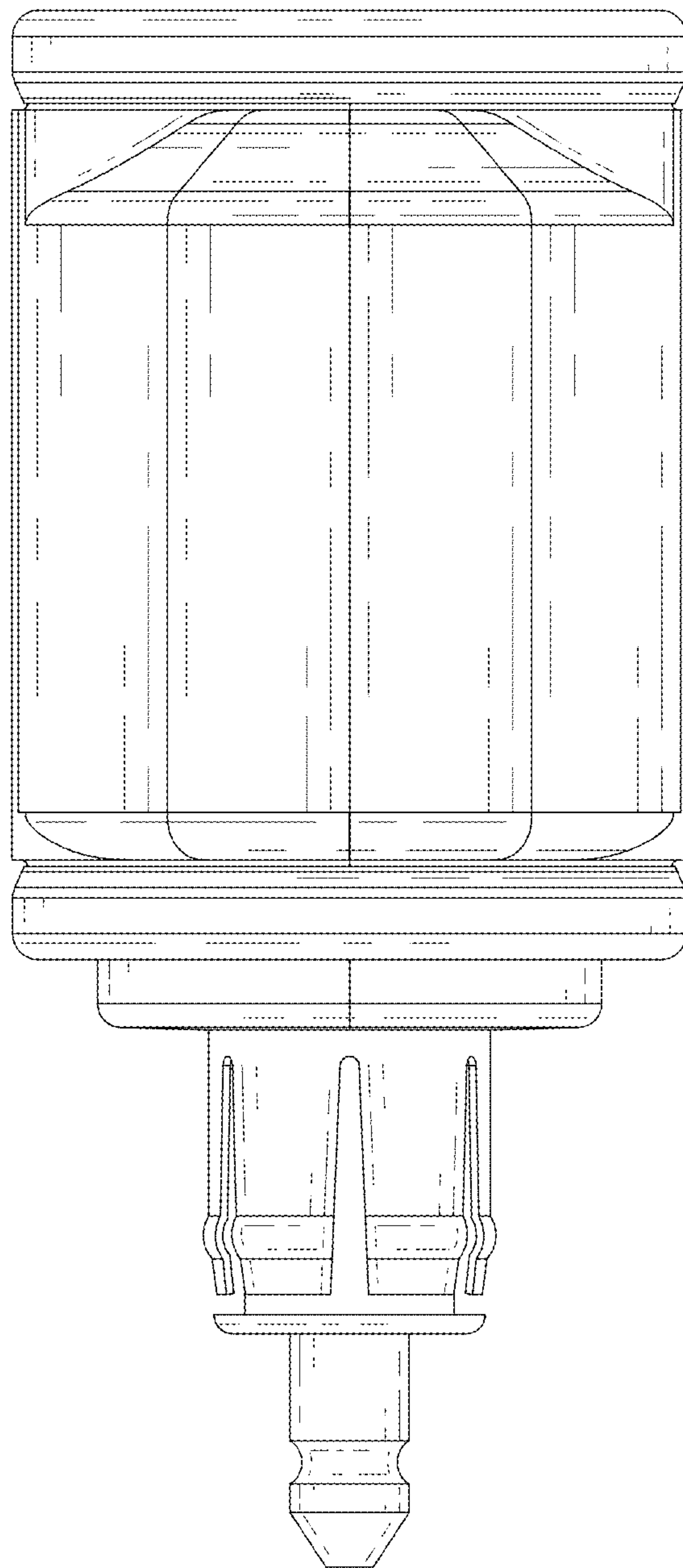


FIG.4

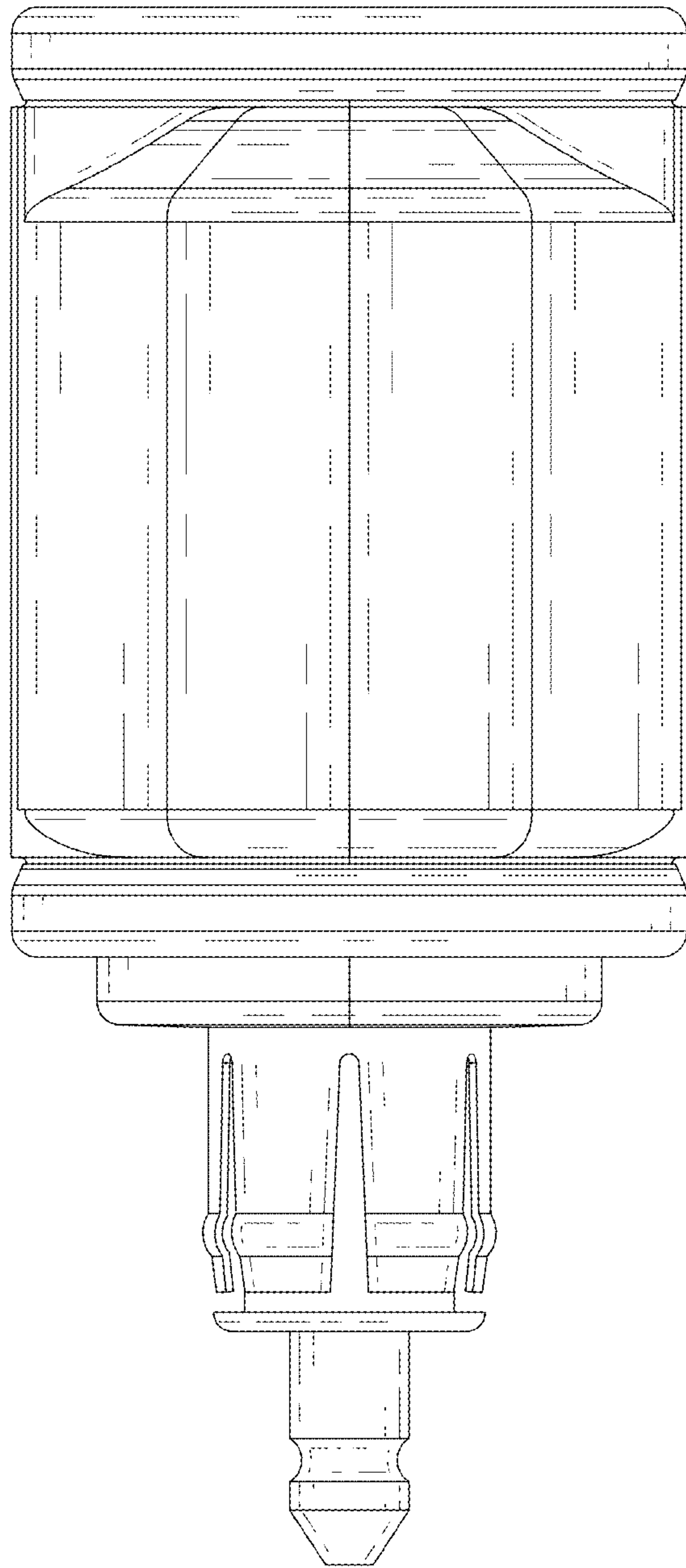


FIG.5

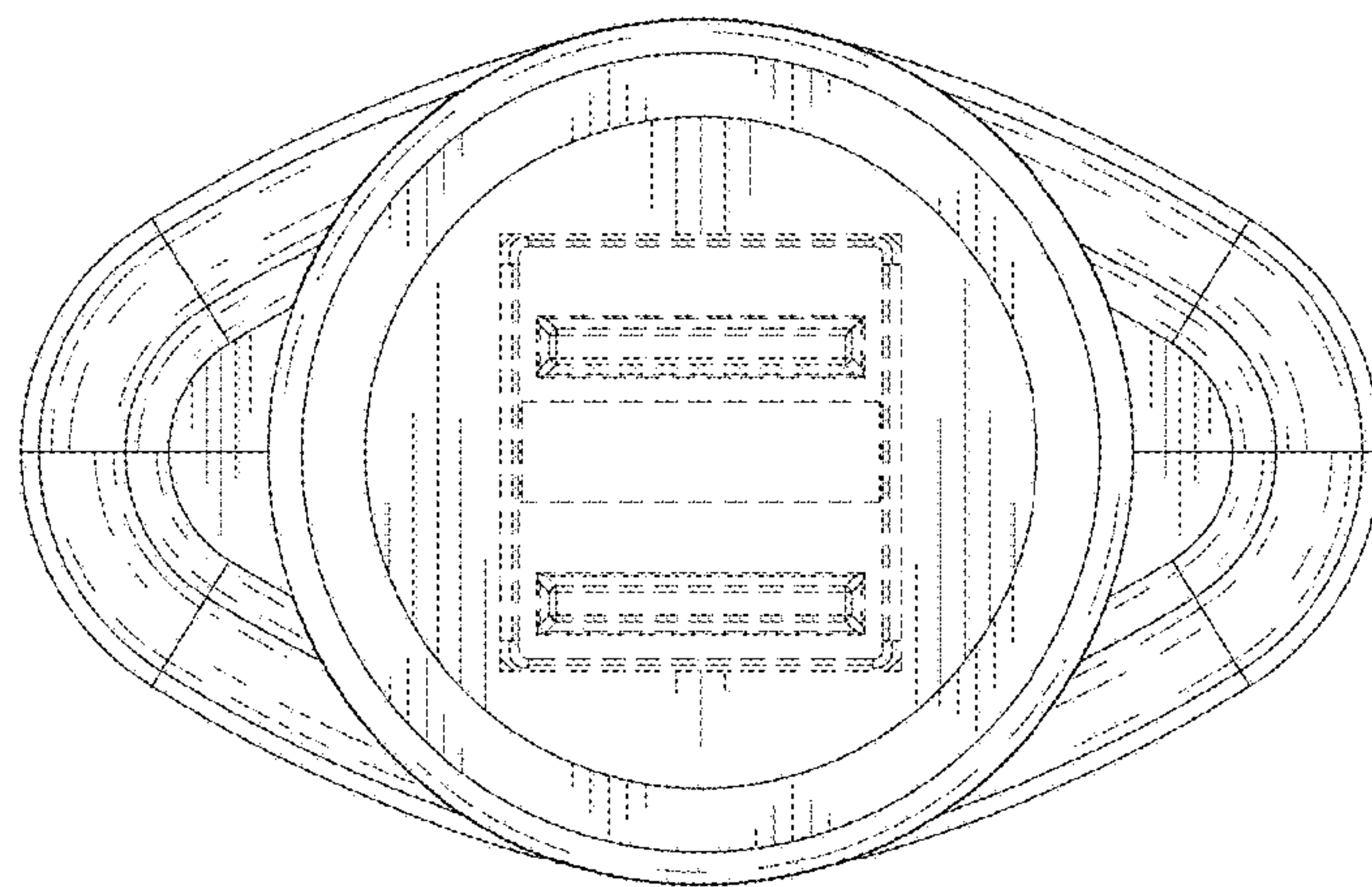


FIG.6

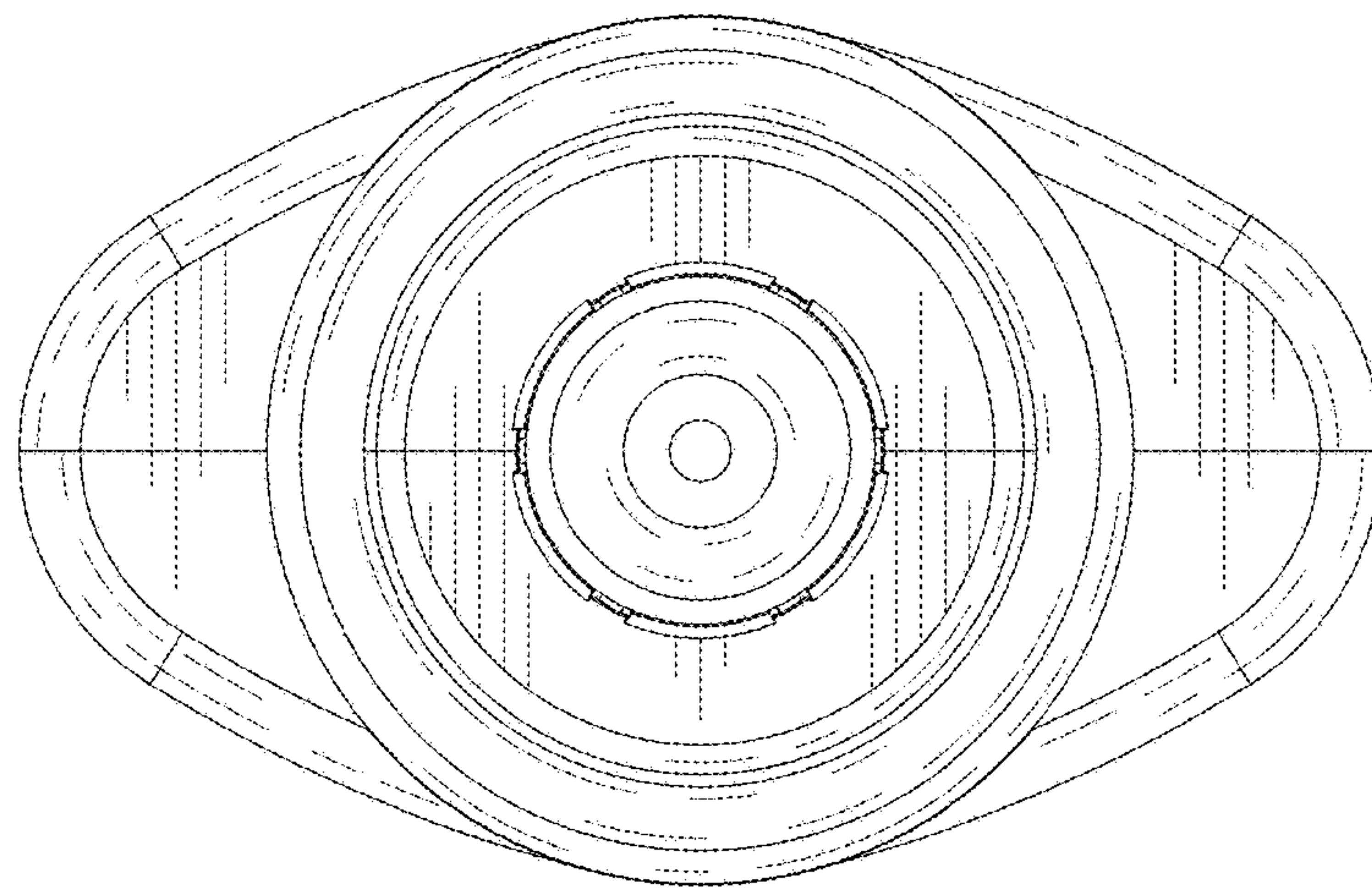


FIG.7

UNITED STATES PATENT AND TRADEMARK OFFICE
CERTIFICATE OF CORRECTION

PATENT NO. : D821,329 S
APPLICATION NO. : 29/586331
DATED : June 26, 2018
INVENTOR(S) : Hsu-Chen Chen

Page 1 of 1

It is certified that error appears in the above-identified patent and that said Letters Patent is hereby corrected as shown below:

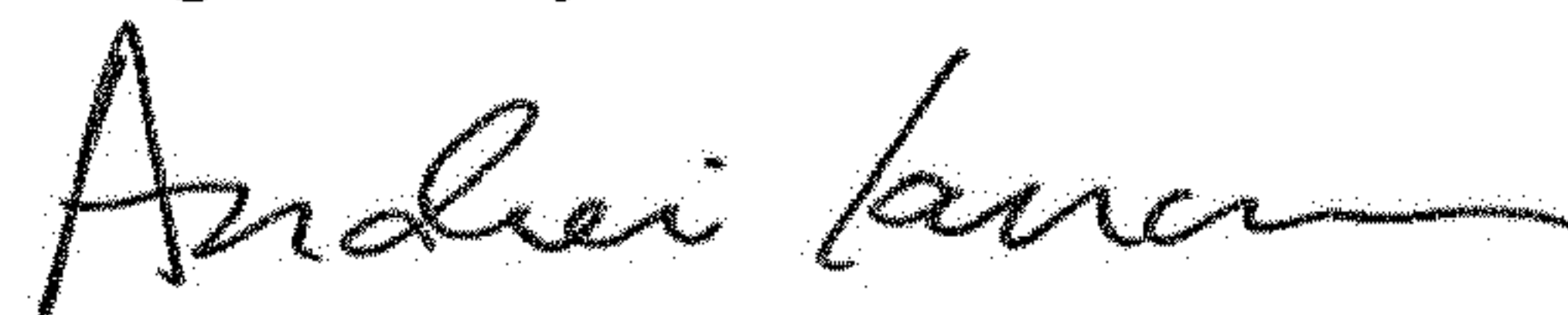
On the Title Page

Please add:

(30) Foreign Application Priority Data

“June 23, 2016 (EM)003170349”

Signed and Sealed this
Eighth Day of December, 2020



Andrei Iancu
Director of the United States Patent and Trademark Office

UNITED STATES PATENT AND TRADEMARK OFFICE
CERTIFICATE OF CORRECTION

PATENT NO. : D821,329 S
APPLICATION NO. : 29/586331
DATED : June 26, 2018
INVENTOR(S) : Hsu-Chen Chen

Page 1 of 1

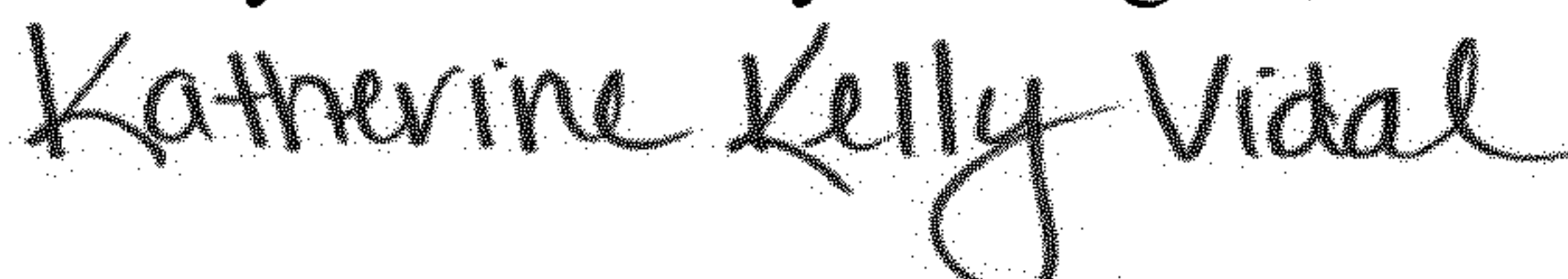
It is certified that error appears in the above-identified patent and that said Letters Patent is hereby corrected as shown below:

On the Title Page

Please Add:

“(30) Foreign Application Priority Data
June 03, 2016 (EM)003170349”

This certificate supersedes the Certificate of Correction issued December 8, 2020.

Signed and Sealed this
Twenty-second Day of August, 2023


Katherine Kelly Vidal
Director of the United States Patent and Trademark Office