



US00D821328S

(12) **United States Design Patent** (10) **Patent No.:** **US D821,328 S**
Byrne et al. (45) **Date of Patent:** **** Jun. 26, 2018**

(54) **ELECTRICAL POWER UNIT**
(71) Applicants: **Norman R. Byrne**, Ada, MI (US);
Daniel P. Byrne, Lowell, MI (US);
Joseph D. Ward, Grand Rapids, MI (US)
(72) Inventors: **Norman R. Byrne**, Ada, MI (US);
Daniel P. Byrne, Lowell, MI (US);
Joseph D. Ward, Grand Rapids, MI (US)

D599,738 S * 9/2009 Amidei D13/110
D620,815 S * 8/2010 Stekelenburg D10/40
D624,495 S * 9/2010 Shum D13/110
D628,157 S * 11/2010 Su D13/139.8
D638,367 S * 5/2011 Isaacks D13/139.4
D639,742 S * 6/2011 Doucet D13/139.8
D647,476 S * 10/2011 Ciou D13/110
D667,736 S * 9/2012 Stack D10/40
D674,342 S * 1/2013 Ho D13/110
8,444,432 B2 5/2013 Byrne et al.
D685,741 S 7/2013 Byrne et al.

(Continued)

(**) Term: **15 Years**

OTHER PUBLICATIONS

(21) Appl. No.: **29/607,206**

Co-pending Design U.S. Appl. No. 29/573,264, filed Aug. 4, 2016, as amended on Apr. 7, 2017.

(22) Filed: **Jun. 12, 2017**

Primary Examiner — Rhea Shields

(51) **LOC (11) Cl.** **13-03**

(74) *Attorney, Agent, or Firm* — Gardner, Linn, Burkhardt & Ondersma LLP

(52) **U.S. Cl.**

USPC **D13/139.4**

(58) **Field of Classification Search**

USPC ... D13/139.1–139.8, 137.1–137.4, 145, 152, D13/110, 103, 108, 184, 107; D10/40; D26/26; D14/385

CPC H01R 13/5841

See application file for complete search history.

(57) **CLAIM**

The ornamental design for an electrical power unit, as shown and described.

DESCRIPTION

(56) **References Cited**

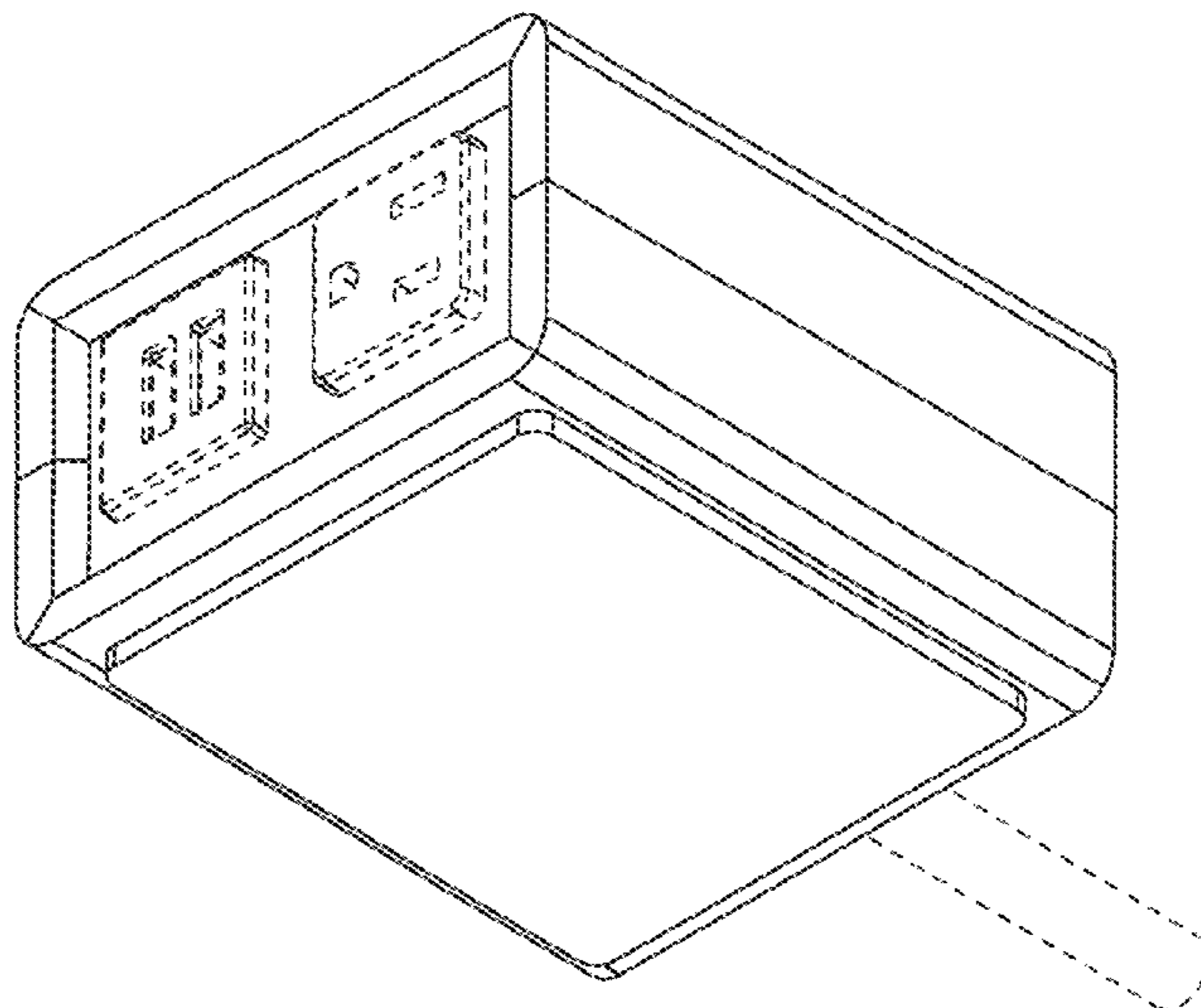
U.S. PATENT DOCUMENTS

D407,373 S 3/1999 Byrne
D413,303 S * 8/1999 Hakoda D13/145
D443,589 S * 6/2001 Tong D13/137.2
6,379,182 B1 4/2002 Byrne
D469,402 S * 1/2003 Bukiri D13/137.1
D497,878 S * 11/2004 Koo D13/152
D514,000 S * 1/2006 Echito D10/40
D522,967 S * 6/2006 St. Clair D13/139.7
D534,086 S * 12/2006 Stekelenburg D10/40
D535,257 S 1/2007 Byrne
D559,783 S * 1/2008 Matzdorff D13/137.2
D567,119 S * 4/2008 Ni D10/40
D582,795 S * 12/2008 Stekelenburg D10/40

FIG. 1 is a front perspective view of an electrical power unit showing our new design, viewed from below and to the left; FIG. 2 is a rear perspective view thereof, viewed from above and to the right; FIG. 3 is a front elevation thereof; FIG. 4 is a rear elevation thereof; FIG. 5 is a top plan view thereof; FIG. 6 is a bottom plan view thereof; FIG. 7 is a right side elevation thereof; and, FIG. 8 is a left side elevation thereof.

In the drawings, the broken lines are for the purpose of illustrating environment only and form no part of the claimed design.

1 Claim, 4 Drawing Sheets



(56)

References Cited

U.S. PATENT DOCUMENTS

8,496,492 B2 7/2013 Byrne
D697,865 S * 1/2014 Saito D13/103
D700,606 S * 3/2014 Lo D14/385
D701,863 S 4/2014 Byrne et al.
D719,093 S * 12/2014 Levy D13/108
D719,508 S * 12/2014 Byrne D13/110
D736,159 S 8/2015 Byrne et al.
D736,709 S 8/2015 Byrne et al.
D737,208 S * 8/2015 Faul D13/139.1
9,148,006 B2 9/2015 Byrne et al.
D740,820 S * 10/2015 Templeton D14/385
D744,953 S 12/2015 Byrne et al.
D748,068 S * 1/2016 Weber D13/184
9,246,317 B2 1/2016 Byrne
D751,038 S * 3/2016 Lin D13/137.2
D753,063 S * 4/2016 Gelonese D13/137.2
9,312,673 B2 4/2016 Byrne et al.
D755,127 S * 5/2016 Wong D13/137.2
9,350,113 B2 * 5/2016 Garner H01R 13/5841
D758,312 S * 6/2016 Lin D13/137.2
D761,732 S 7/2016 Byrne et al.
D762,175 S 7/2016 Byrne et al.
D773,991 S * 12/2016 Liu D13/107
D775,588 S * 1/2017 Xu D13/137.2
D776,056 S * 1/2017 Block D13/137.2
D776,658 S * 1/2017 Zhu D14/385
D798,238 S * 9/2017 Grossinger D13/139.1
D801,935 S * 11/2017 Herr D13/137.2
D807,539 S * 1/2018 Li D26/26

* cited by examiner

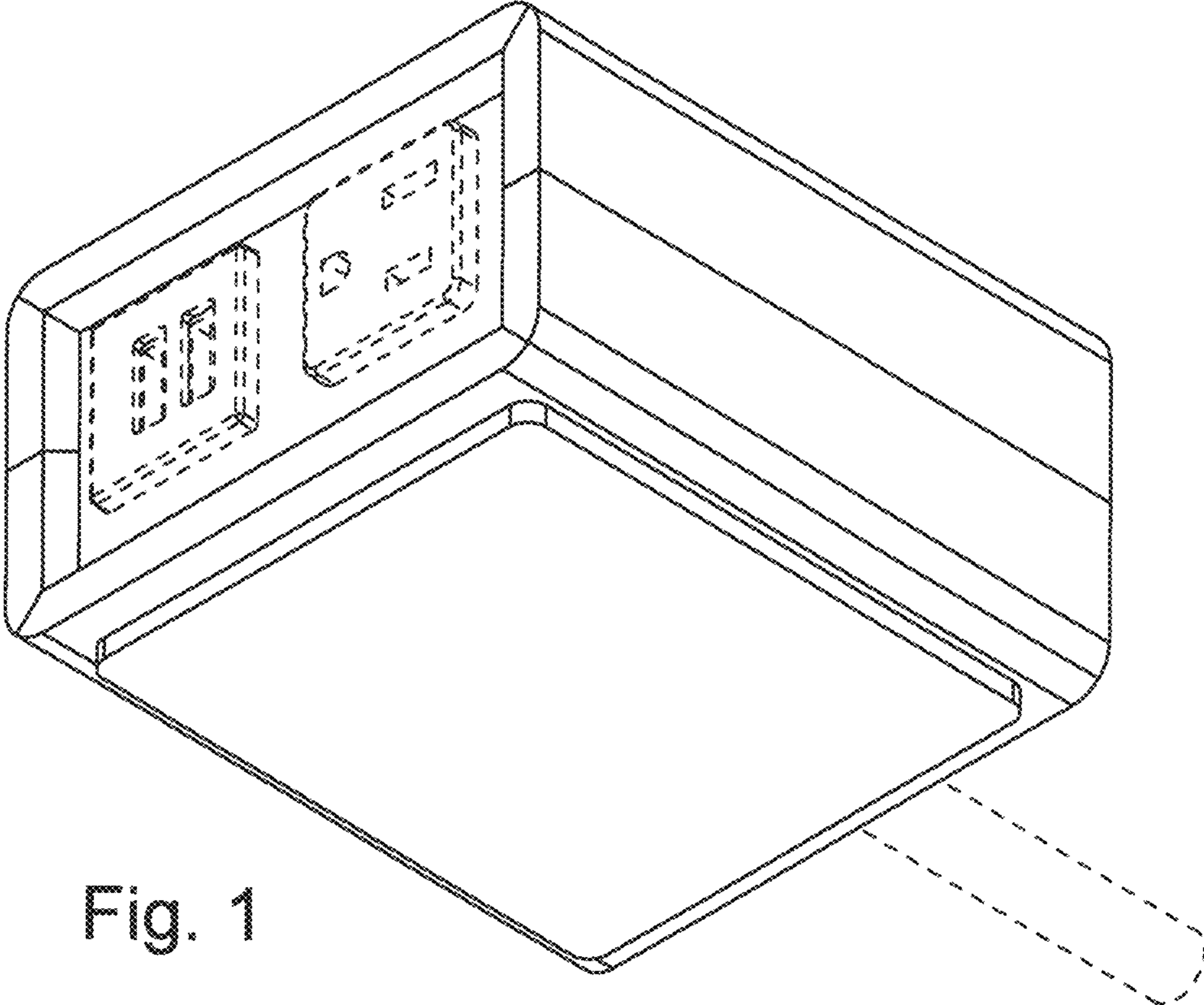


Fig. 1

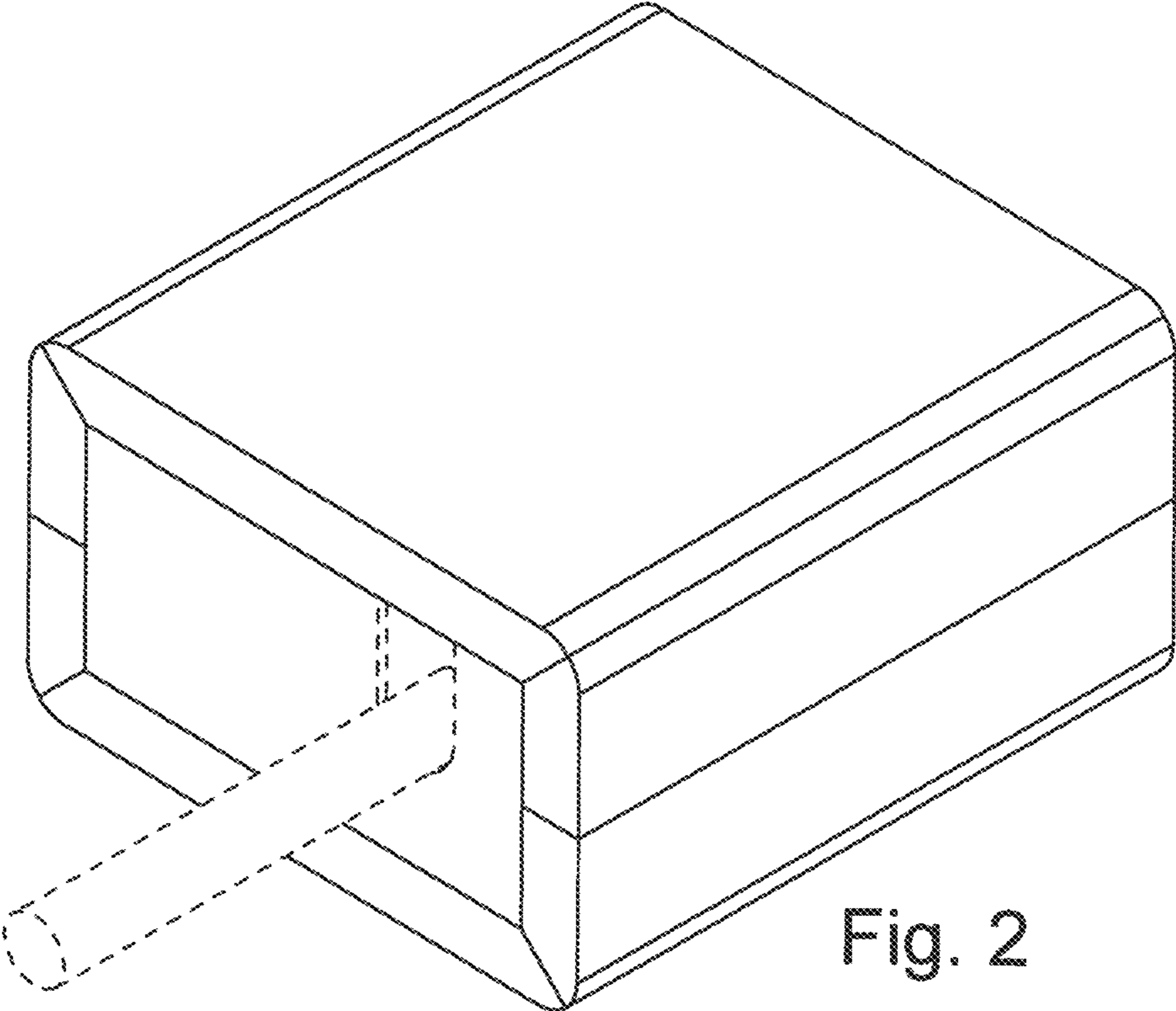


Fig. 2

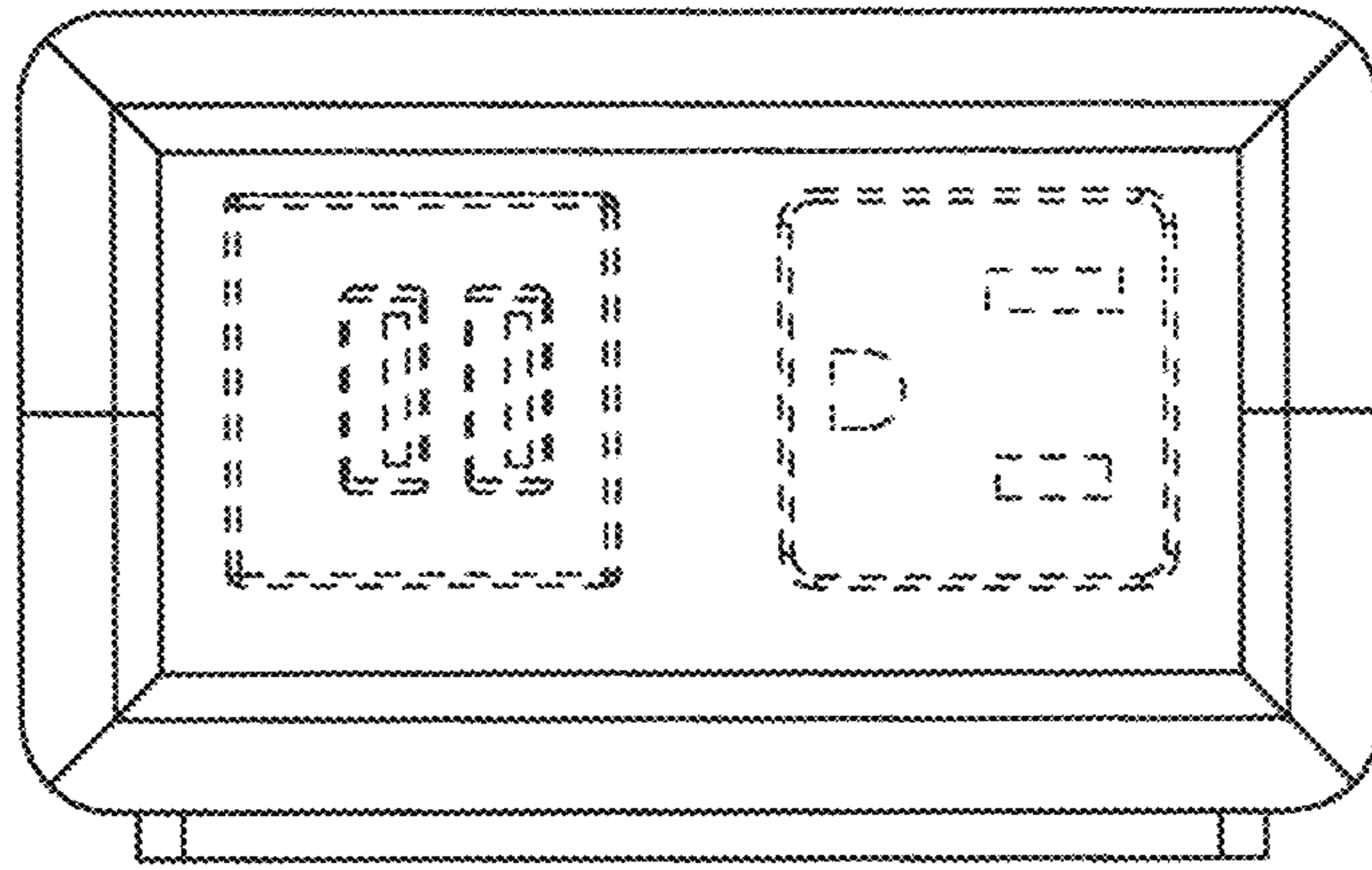


Fig. 3

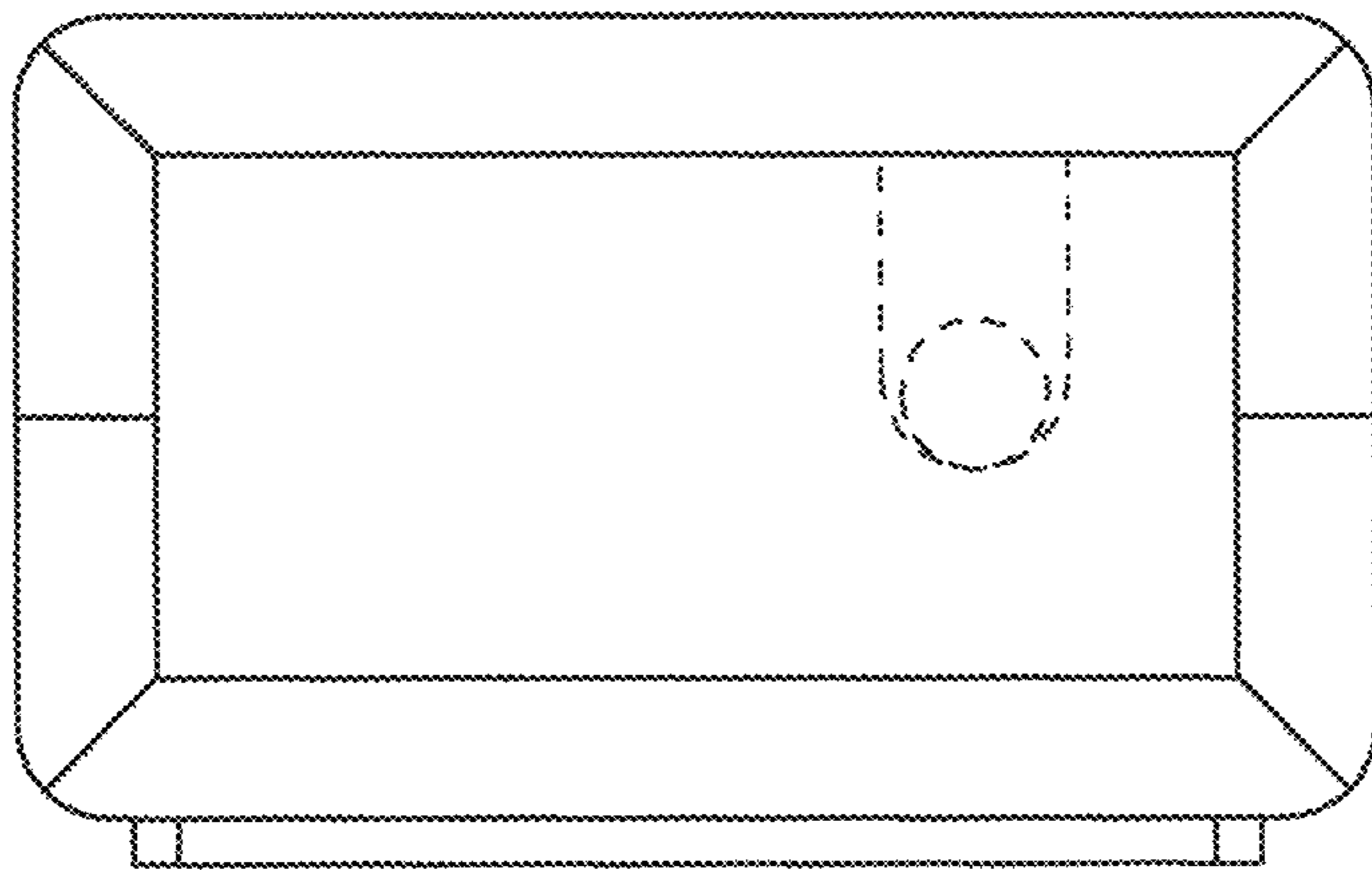


Fig. 4

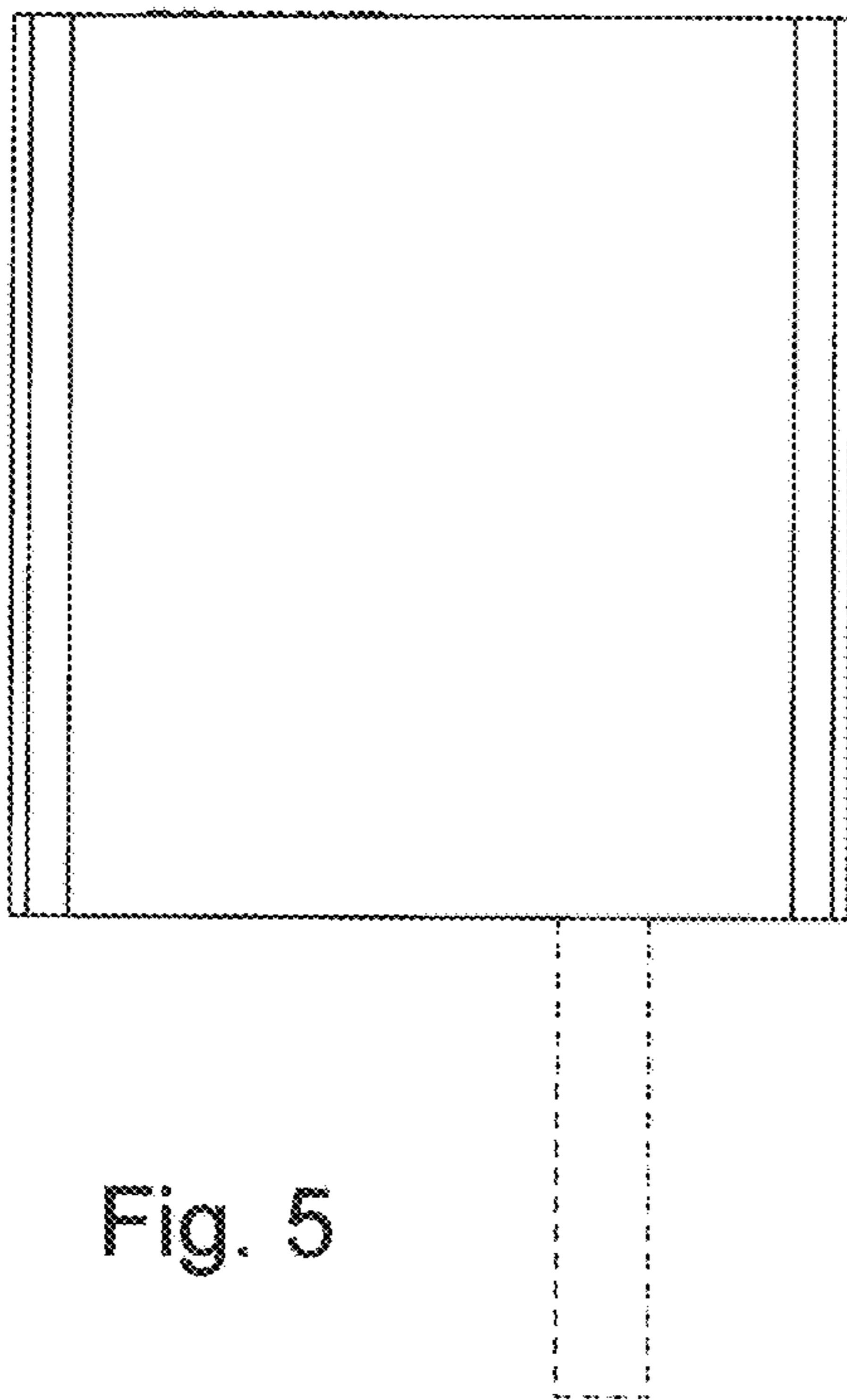


Fig. 5

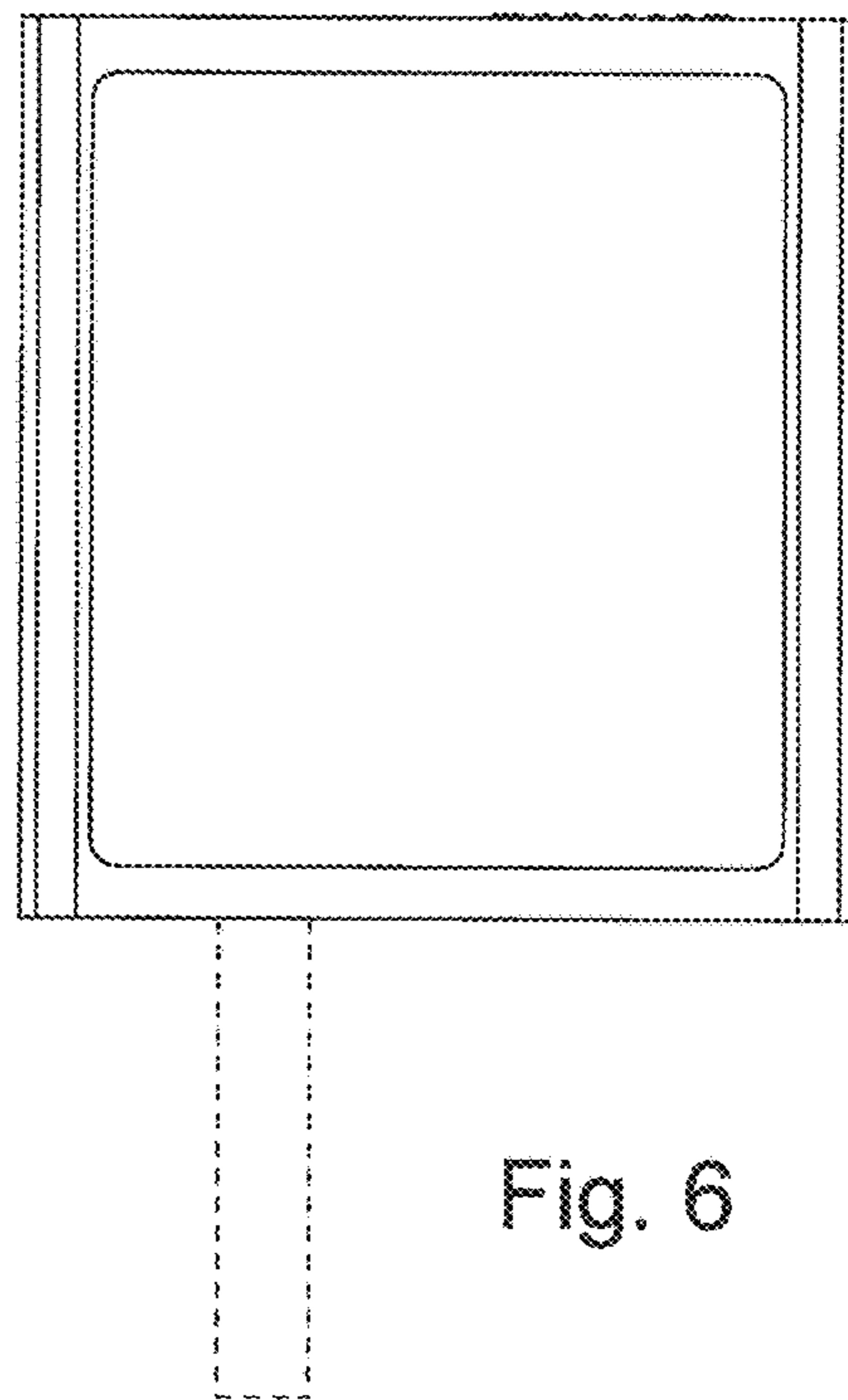


Fig. 6

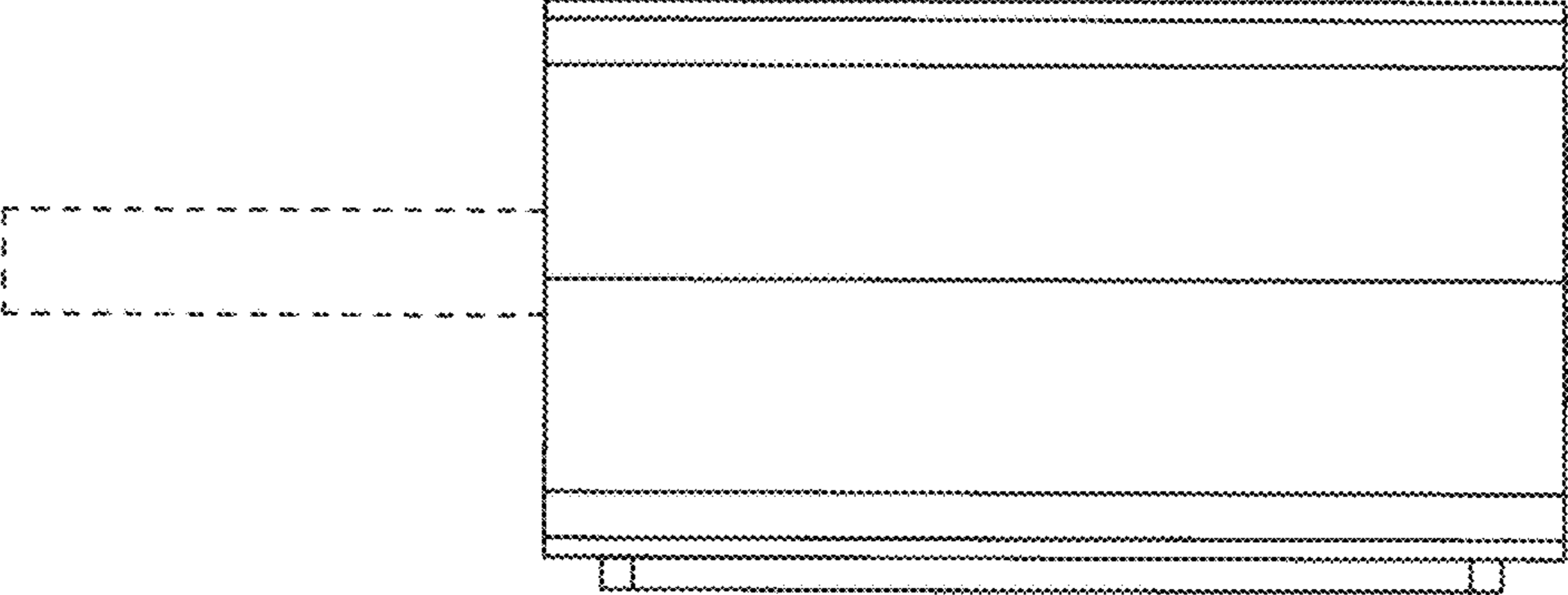


Fig. 7

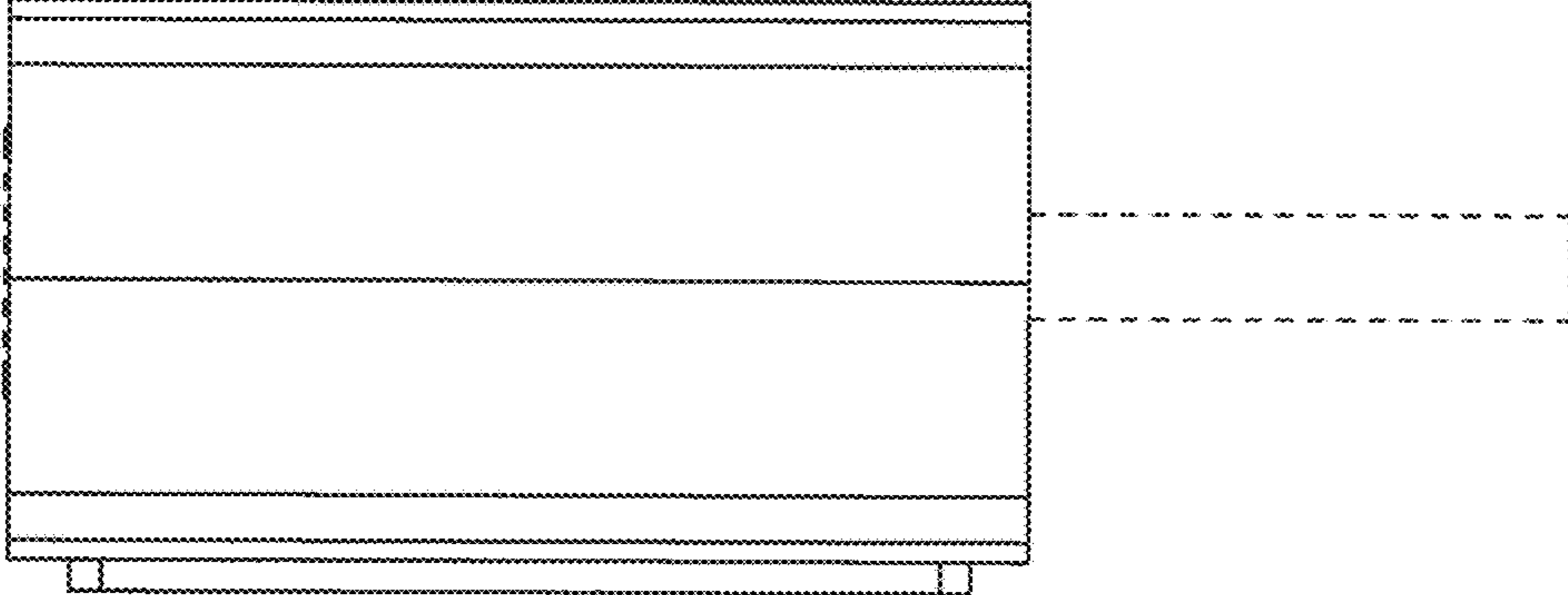


Fig. 8