



US00D821325S

(12) **United States Design Patent** (10) **Patent No.:** **US D821,325 S**  
**Duran et al.** (45) **Date of Patent:** **\*\* Jun. 26, 2018**

- (54) **1×4 DISTRIBUTION POINT UNIT WITH SURFACE ORNAMENTATION**
- (71) Applicant: **Corning Optical Communications LLC**, Hickory, NC (US)
- (72) Inventors: **Christian Shane Duran**, Fort Worth, TX (US); **John Austin Keenum**, Haltom City, TX (US); **Edward Joseph Reed**, North Richland Hills, TX (US); **Rodger Alan Tenholder**, Saginaw, TX (US); **Dayne Wilcox**, Menlo Park, CA (US); **Lea Kobeli**, San Francisco, CA (US); **Marie Noury**, Croix (FR); **Marcelle Van Beusekom**, San Francisco, CA (US)
- (73) Assignee: **Corning Optical Communications LLC**, Hickory, NC (US)

(\*\*) Term: **15 Years**

(21) Appl. No.: **29/576,464**

(22) Filed: **Sep. 2, 2016**

(51) **LOC (11) Cl.** ..... **13-03**

(52) **U.S. Cl.**  
USPC ..... **D13/124**

(58) **Field of Classification Search**  
USPC ..... D13/123–132, 110, 101, 162, 164, 184, D13/199; D14/242, 358  
CPC ..... H02J 13/0051; H04B 3/50  
See application file for complete search history.

(56) **References Cited**

**U.S. PATENT DOCUMENTS**

- D230,406 S \* 2/1974 Hampton ..... D13/152
- D449,824 S 10/2001 Higa et al.
- D454,837 S 3/2002 Ibuki et al.
- 6,359,770 B1 \* 3/2002 Kolody ..... H04Q 1/10  
361/626
- D471,543 S 3/2003 Yang et al.

- D476,764 S 7/2003 Khovaylo et al.
- D478,580 S 8/2003 Schmidt et al.
- D494,952 S 8/2004 Taniguchi
- D496,346 S 9/2004 Fuss et al.
- D512,697 S 12/2005 Enns et al.
- D514,562 S 2/2006 Lu et al.
- D528,537 S \* 9/2006 Wang ..... D14/230
- D549,663 S 8/2007 Tsou et al.

(Continued)

**OTHER PUBLICATIONS**

Little fuse. <URL: <http://www.littelfuse.com/~media/commercial-vehicle/datasheets/pdm/littelfuse-pdm-Itx-07981002zxs-datasheet.pdf>> Jun. 30, 2017. Power Distribution Fuse Box.\*

(Continued)

*Primary Examiner* — Thomas Johannes  
*Assistant Examiner* — Lauren McVey  
(74) *Attorney, Agent, or Firm* — Adam R. Weeks

(57) **CLAIM**

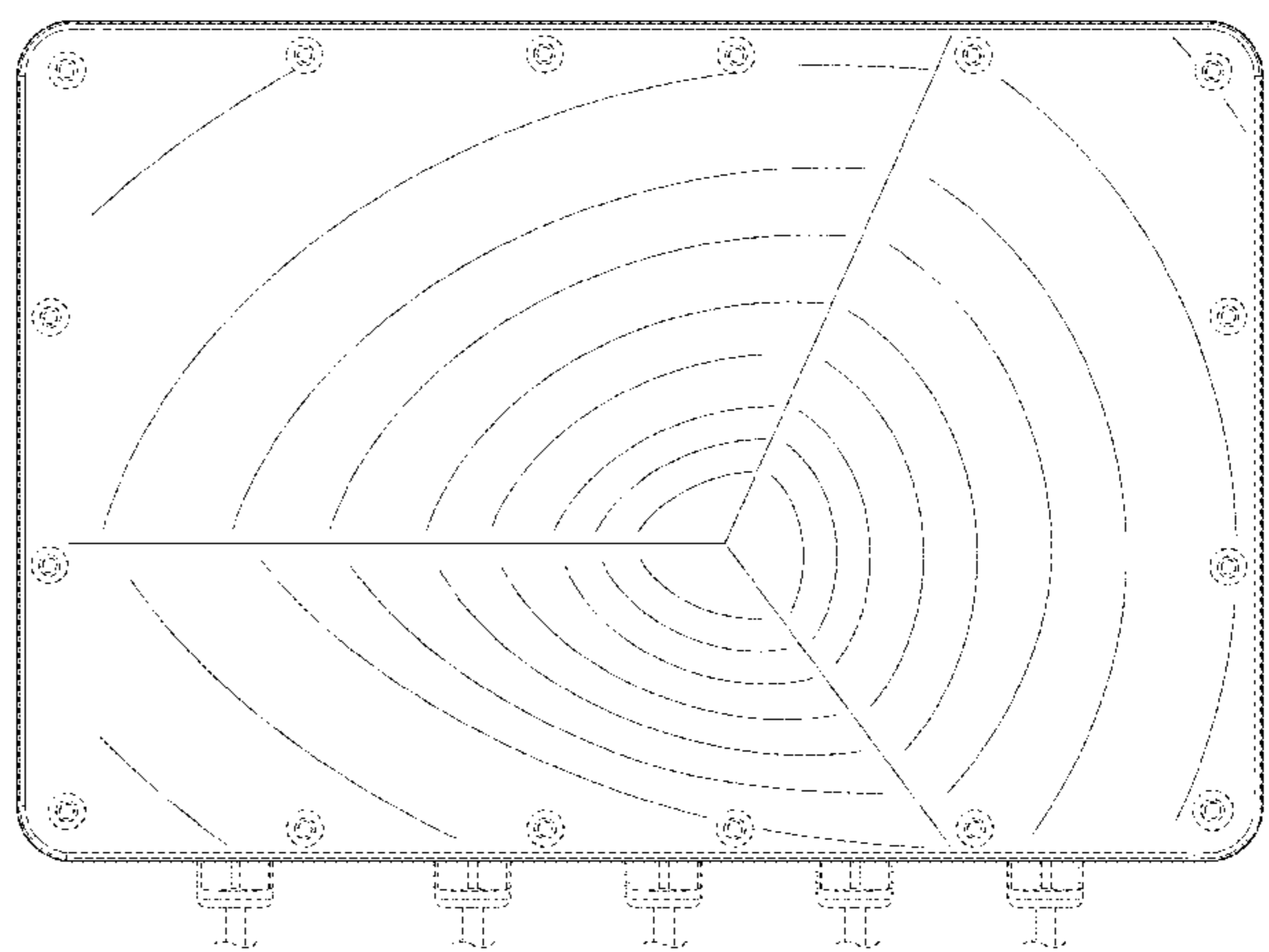
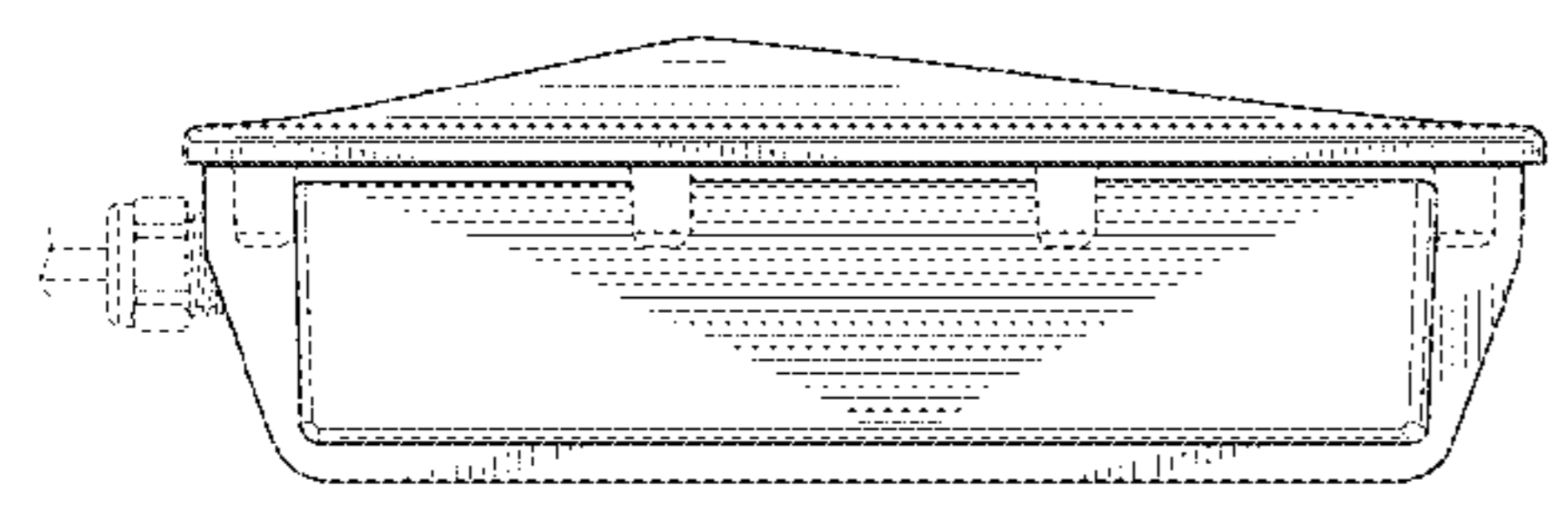
The ornamental design for a 1×4 distribution point unit with surface ornamentation, as shown and described.

**DESCRIPTION**

FIG. 1 is a front perspective view of a 1×4 distribution point unit with surface ornamentation, showing our new design; FIG. 2 is a bottom view thereof; FIG. 3 is a top view thereof; FIG. 4 is a right view thereof; FIG. 5 is a left view thereof; FIG. 6 is a front view thereof; and, FIG. 7 is a rear view thereof.

The broken lines immediately adjacent to the claim represent the bounds of the claimed design, while all other broken lines are directed to environment; the broken lines form no part of the claimed design.

**1 Claim, 5 Drawing Sheets**



(56)

**References Cited**

U.S. PATENT DOCUMENTS

D556,145 S 11/2007 Williams et al.  
 D559,233 S 1/2008 Tang  
 D578,483 S 10/2008 Lannoch  
 D578,484 S 10/2008 Lannoch  
 D583,795 S 12/2008 Keenum et al.  
 D590,393 S \* 4/2009 Millar ..... D14/358  
 D591,688 S 5/2009 Nishiyama et al.  
 D591,690 S 5/2009 Vogel et al.  
 D596,175 S 7/2009 Viertola et al.  
 D616,815 S 6/2010 Jadraque Aznarez et al.  
 D617,219 S \* 6/2010 Emge ..... D10/65  
 D637,162 S 5/2011 Bridgman  
 D645,823 S 9/2011 Dillon  
 D686,206 S 7/2013 Wu et al.  
 D688,657 S 8/2013 Hallar et al.  
 D698,349 S 1/2014 Sun et al.  
 D702,570 S \* 4/2014 Emge ..... D10/65  
 D703,556 S 4/2014 Emge et al.

D714,734 S 10/2014 Bertolotti  
 D714,735 S 10/2014 Bertolotti  
 D732,041 S 6/2015 Conn et al.  
 D733,594 S \* 7/2015 Bowman ..... D10/65  
 D738,869 S \* 9/2015 Groener ..... D14/240  
 D739,385 S 9/2015 James et al.  
 D742,864 S \* 11/2015 Kurosawa ..... D14/240  
 D755,762 S \* 5/2016 Moon ..... D14/242  
 D783,580 S \* 4/2017 MacManus ..... D14/240  
 D789,360 S \* 6/2017 Moon ..... D14/240  
 2015/0033953 A1 2/2015 Fung et al.  
 2017/0187300 A1 \* 6/2017 Shimazu ..... H02M 7/003

OTHER PUBLICATIONS

Corning, OptiSheath Riser Distribution Terminal, MTP Enabled, Specification Sheet, 2012, 1-4, Corning Cable Systems LLC.  
 Corning, OptiSheath MDU Terminal, Family Spec Sheet, 2015, 1-5, Corning Optical Communications LLC.

\* cited by examiner

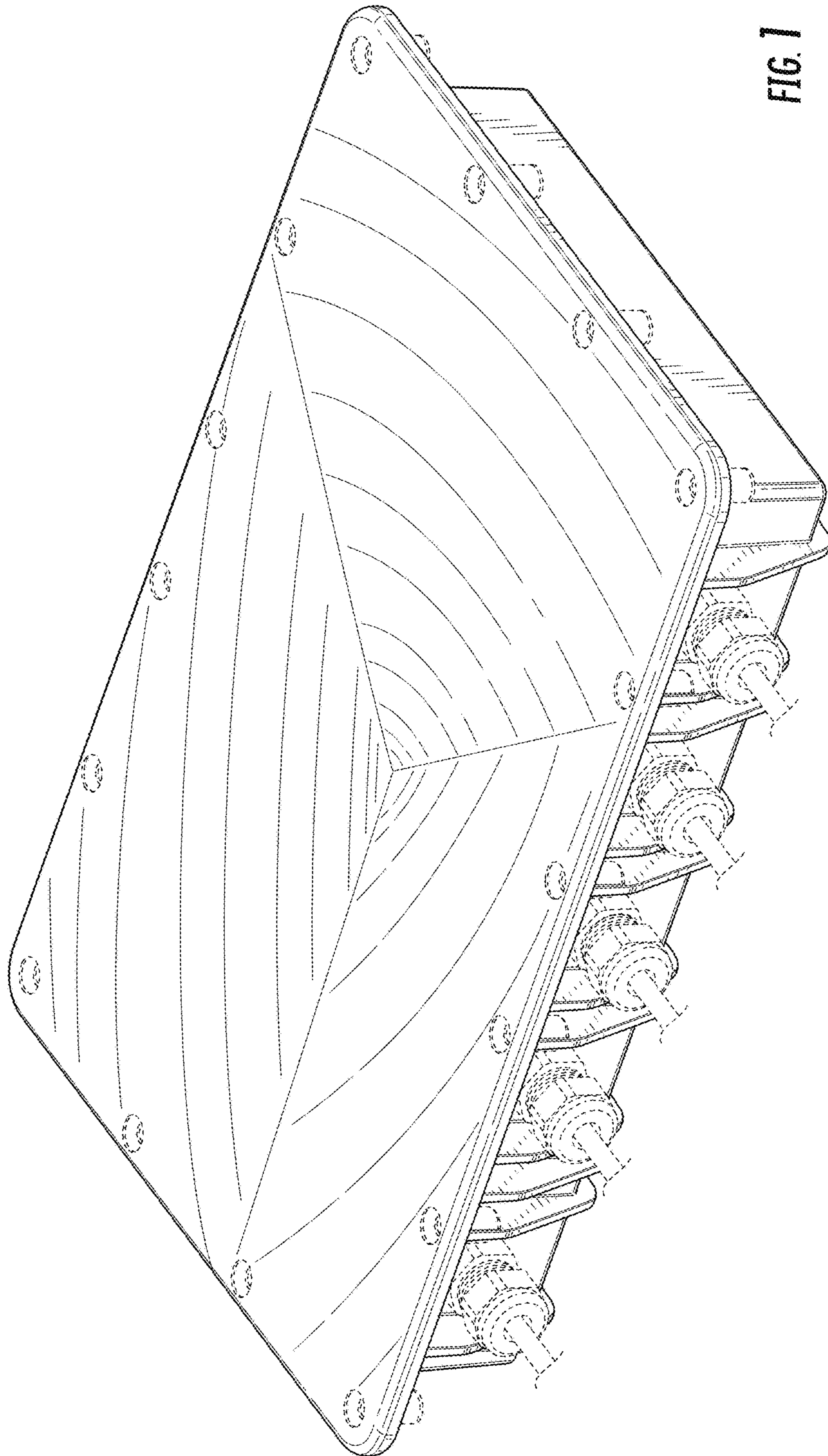


FIG. 1

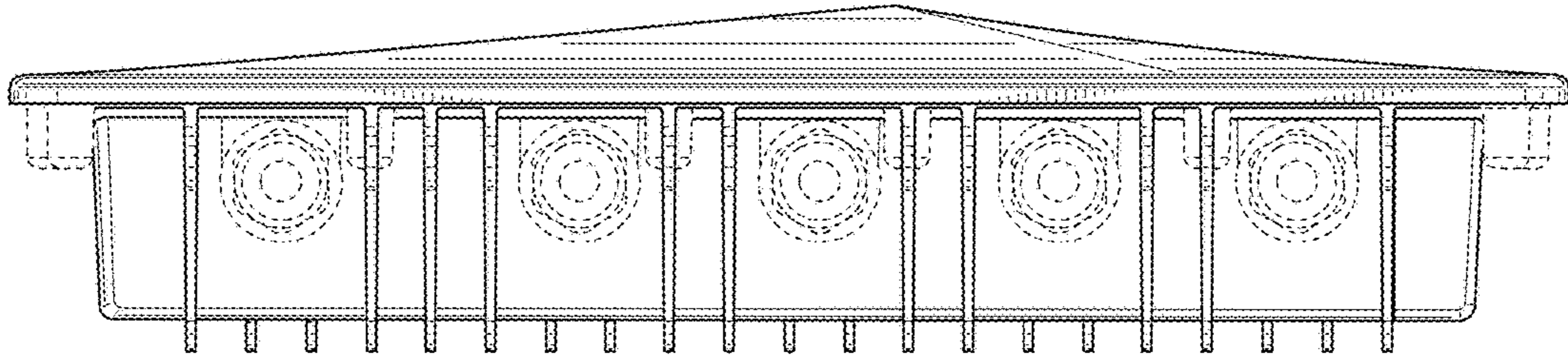


FIG. 2

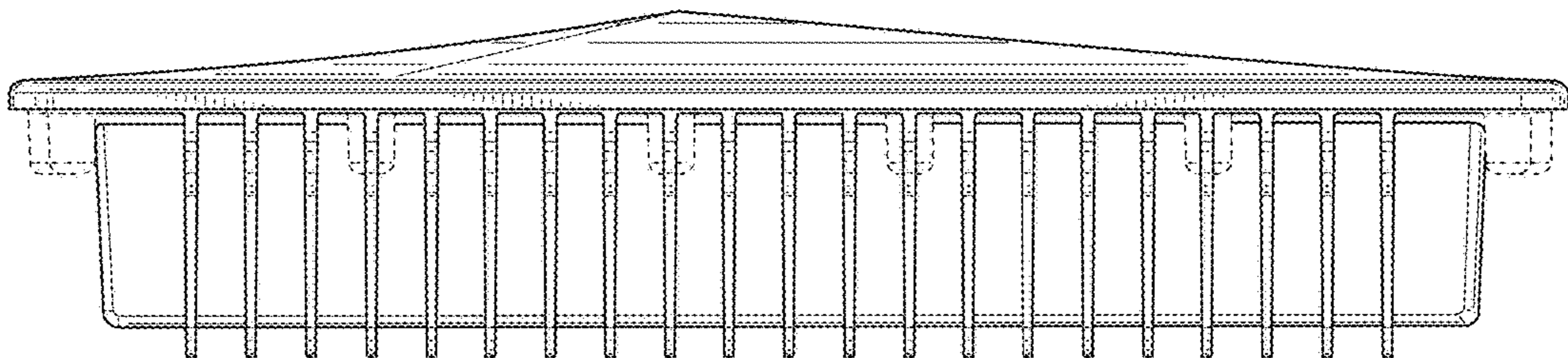


FIG. 3

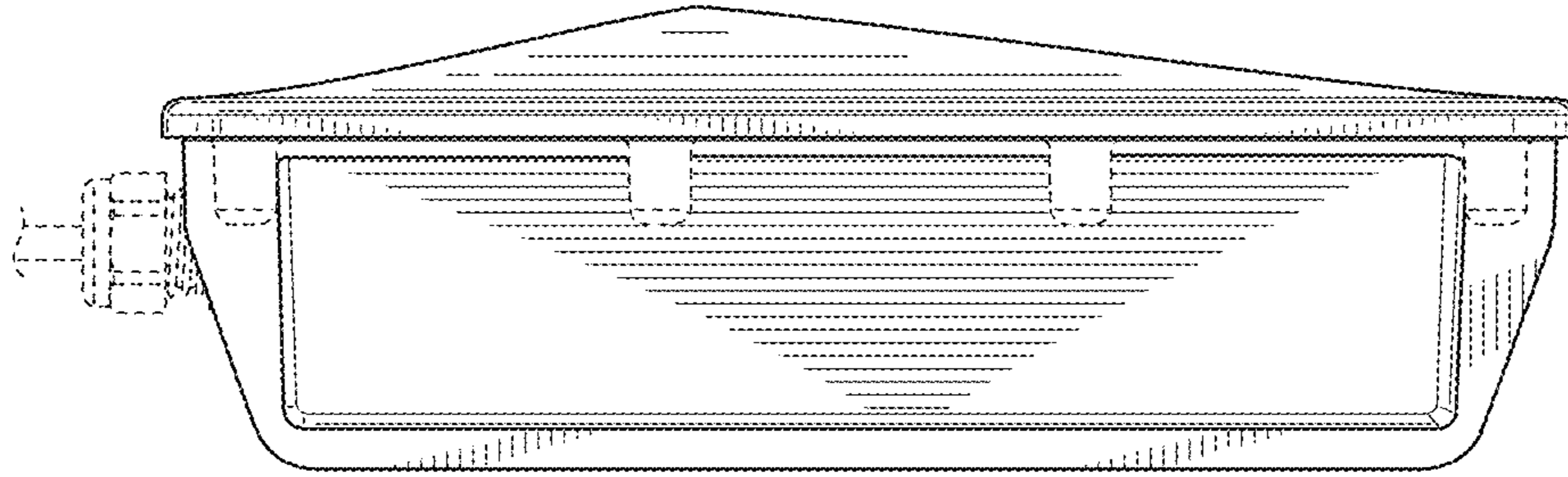


FIG. 4

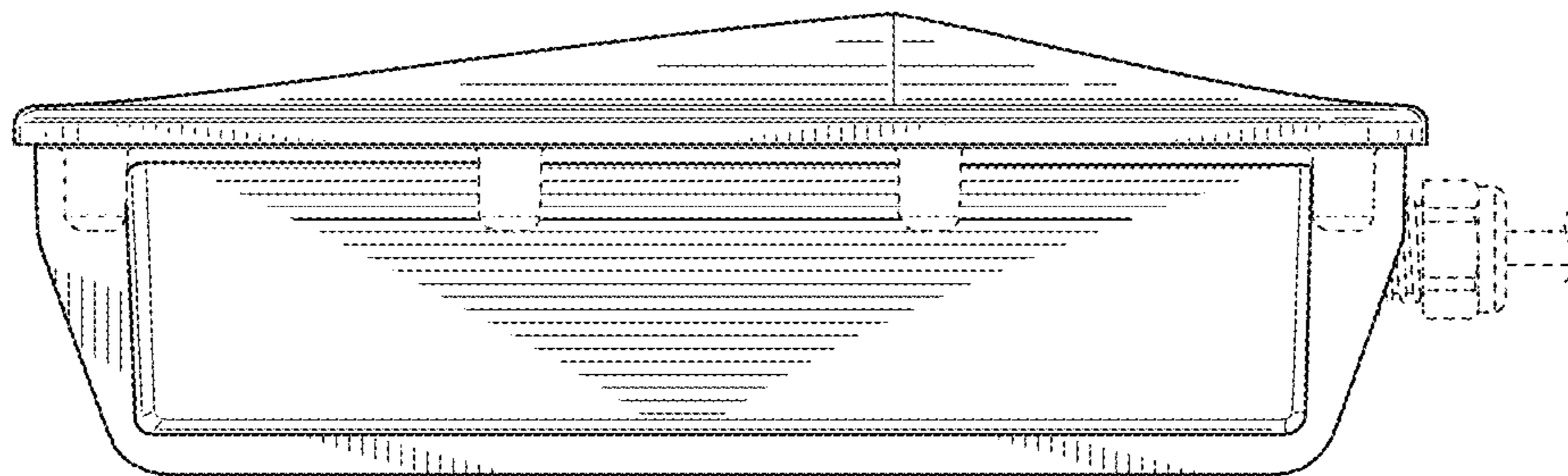


FIG. 5

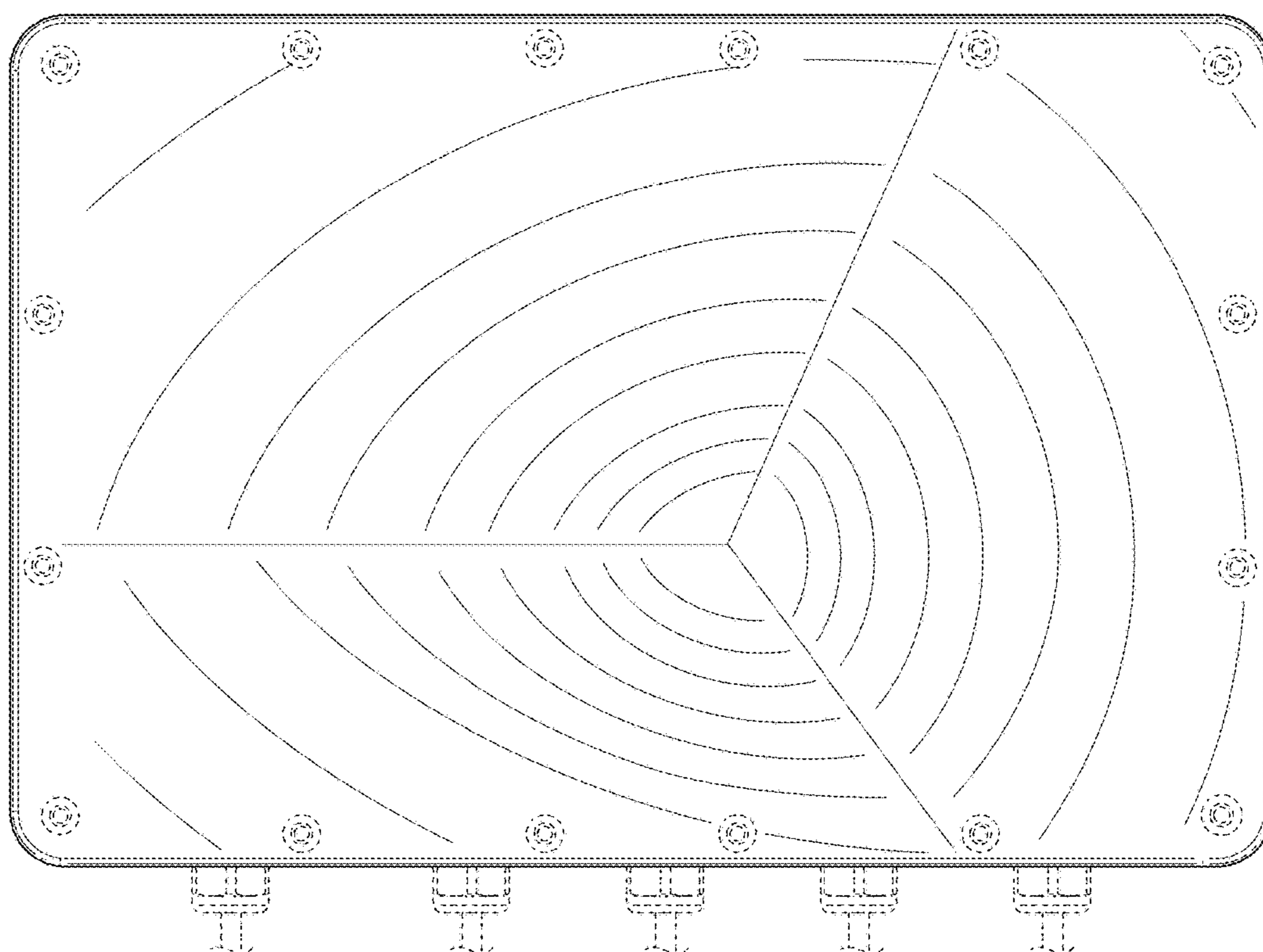


FIG. 6

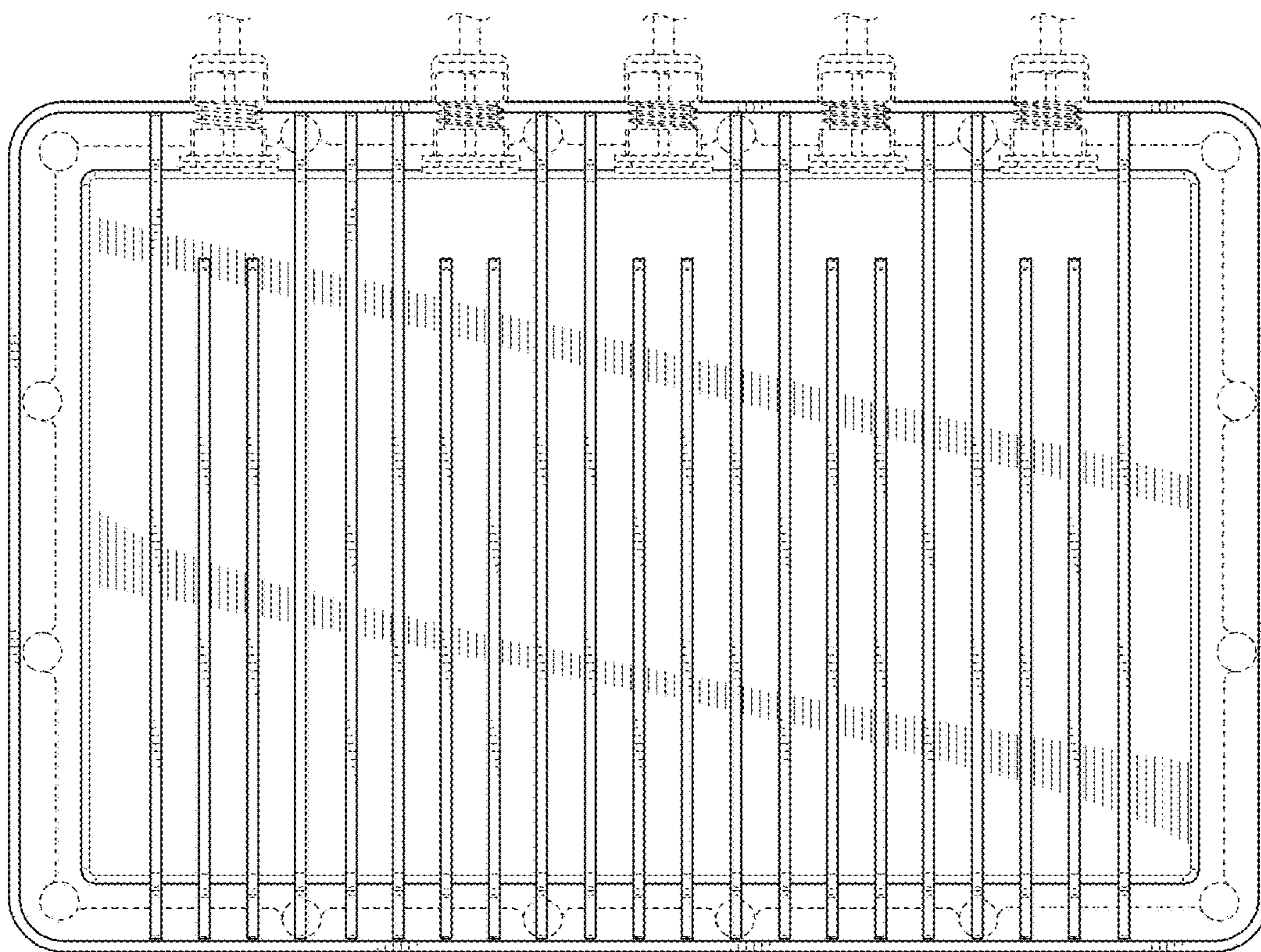


FIG. 7