



US00D821319S

(12) **United States Design Patent** (10) **Patent No.:** **US D821,319 S**
Yang (45) **Date of Patent:** **** Jun. 26, 2018**

(54) **ROTOR FOR A WAVE ENERGY CONVERTER**

D200,964 S * 4/1965 Phelps D21/458
3,604,942 A * 9/1971 Nelson F03B 17/065
290/54
4,313,711 A 2/1982 Lee 415/7
8,100,650 B2 1/2012 Siegel 416/53
(Continued)

(71) Applicant: **Yingchen Yang**, Edinburg, TX (US)

(72) Inventor: **Yingchen Yang**, Edinburg, TX (US)

(73) Assignee: **THE BOARD OF REGENTS OF THE UNIVERSITY OF TEXAS SYSTEM**, Austin, TX (US)

FOREIGN PATENT DOCUMENTS

WO WO/00/017519 3/2000
WO WO/06/100436 9/2006
(Continued)

(**) Term: **15 Years**

(21) Appl. No.: **29/585,785**

OTHER PUBLICATIONS

(22) Filed: **Nov. 29, 2016**

Faizal et al, 2009, Renewable Energy, 35, 164-169.
(Continued)

Related U.S. Application Data

(63) Continuation-in-part of application No. PCT/US2016/052837, filed on Sep. 21, 2016.

Primary Examiner — Mary Ann Calabrese

Assistant Examiner — Catherine Ho

(51) **LOC (11) Cl.** **13-01**

(74) *Attorney, Agent, or Firm* — Norton Rose Fulbright US LLP

(52) **U.S. Cl.**

USPC **D13/114; D13/115**

(58) **Field of Classification Search**

(57) **CLAIM**

USPC D12/180; D13/101, 102, 103, 107, 112, D13/114, 115, 116, 118, 122, 125, 133, D13/162.1, 184, 199; D14/188; D21/405, 409, 424, 450, 458, 463, 510, D21/578, 585; D23/315, 356, 377; D25/35; D32/17, 68, 70, 71, 73
CPC ... B63J 2003/046; F03B 13/18; F03B 13/141; F03B 13/1825; F03B 13/183; F03B 13/186; F03B 13/12; F03B 13/1885; F03B 13/20; F03B 17/061; F05B 2240/243; F05B 2250/292; F05B 2250/25; Y02E 10/28; Y02E 10/38; Y02E 10/725

The ornamental design for a rotor for a wave energy converter, as shown and described.

See application file for complete search history.

DESCRIPTION

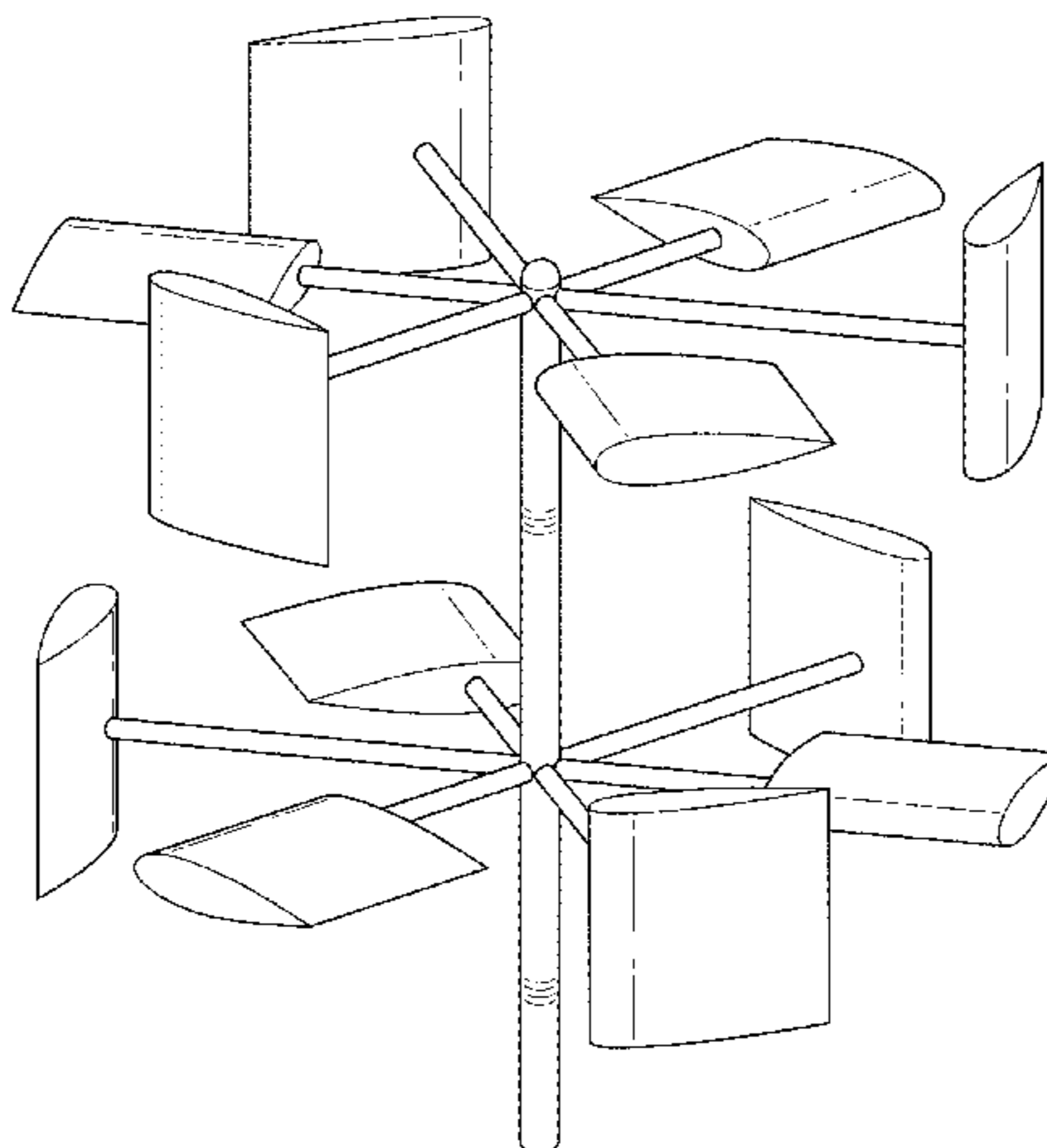
This invention was made with government support under 1263196 awarded by the National Science Foundation. The government has certain rights in the invention.
FIG. 1 is a perspective view of a rotor for a wave energy converter, showing my new design;
FIG. 2 is a top plan view thereof;
FIG. 3 is a bottom plan view thereof;
FIG. 4 is a right side elevational view thereof;
FIG. 5 is a left side elevational view thereof;
FIG. 6 is a front elevational view thereof; and,
FIG. 7 is a back elevational view thereof.

(56) **References Cited**

U.S. PATENT DOCUMENTS

D125,274 S * 2/1941 Kiefer D21/458
D197,269 S * 1/1964 Lewis D20/21

1 Claim, 7 Drawing Sheets



(56)

References Cited

U.S. PATENT DOCUMENTS

8,206,113 B2 6/2012 Ryyanen et al. 416/176
8,664,790 B2* 3/2014 Cornelius F03B 3/04
290/54
D778,774 S * 2/2017 Weiser D11/162
2009/0211241 A1 8/2009 Moffat 60/501
2010/0320766 A1 12/2010 Klukowski 290/53
2011/0123332 A1* 5/2011 Grenier F03D 3/061
416/41
2011/0262280 A1* 10/2011 Schubert B29C 70/30
416/223 R
2014/0327338 A1 11/2014 Vamvas 310/306

FOREIGN PATENT DOCUMENTS

WO WO/07/130334 11/2007
WO WO/10/011133 1/2010
WO WO/12/166063 12/2012

OTHER PUBLICATIONS

International Search Report and Written Opinion in International
Application No. PCT/US2016/052837 dated Dec. 12, 2016.
Mohamed, *Energy*, 47:522-30, 2012.
Pierson and Moskowitz, *Journal of Geophysical Research*,
69:5181-90, 1964.
Pindado et al., *The Scientific World Journal*, Article ID 197325,
2013.
Raghunathan, *Progress in Aerospace Sciences*, 31:335-386, 1995.

* cited by examiner

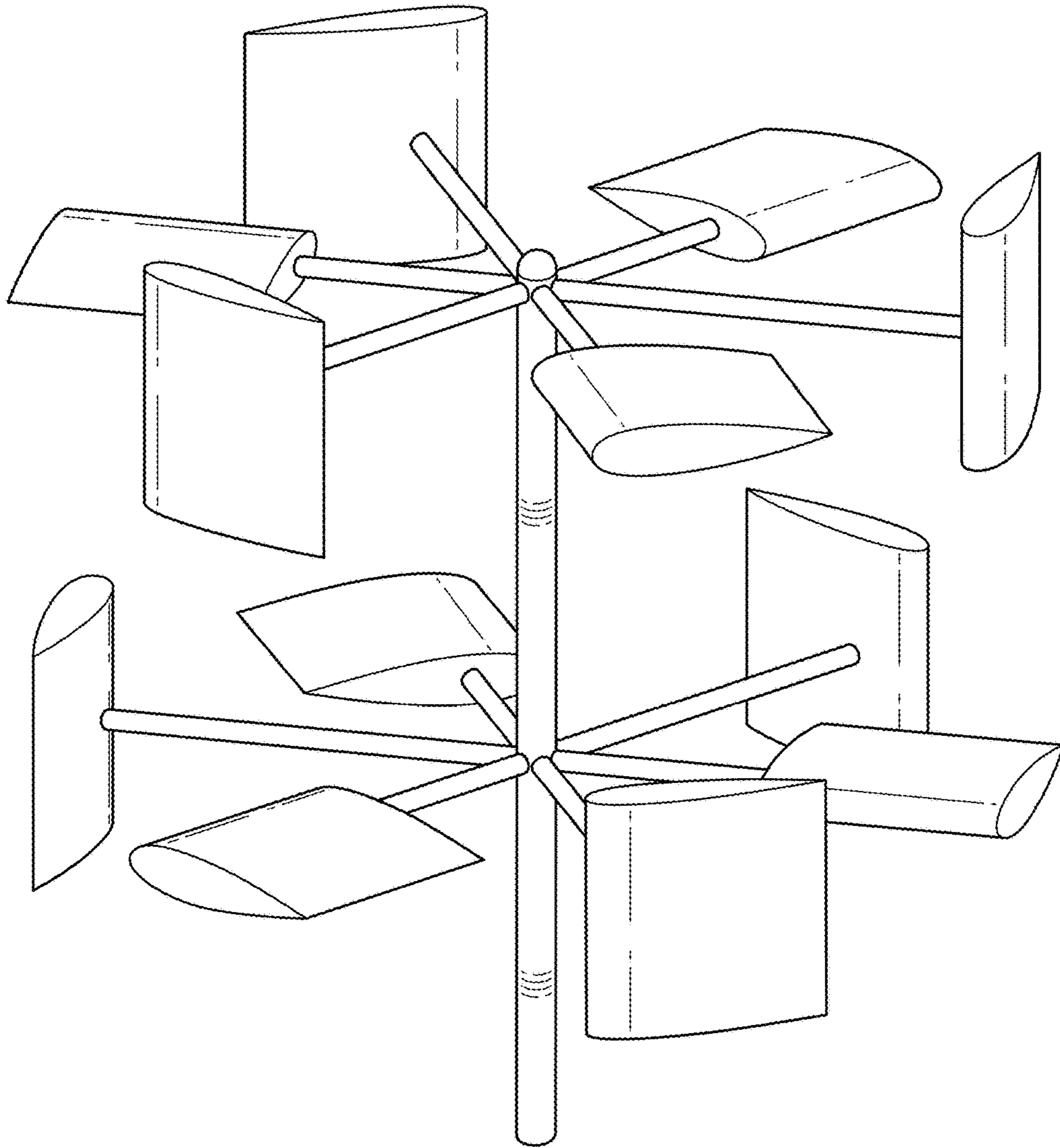


FIG. 1

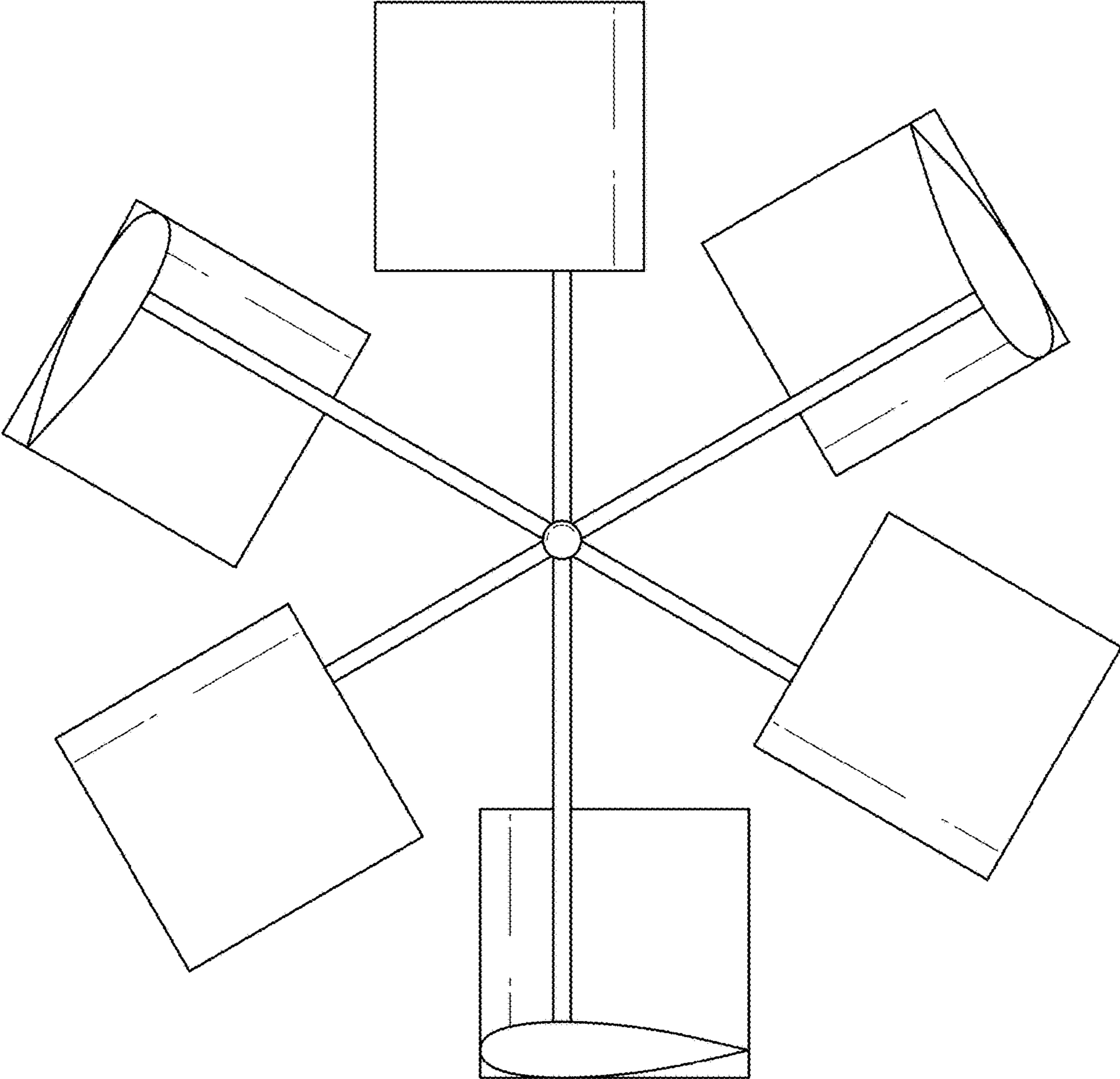


FIG. 2

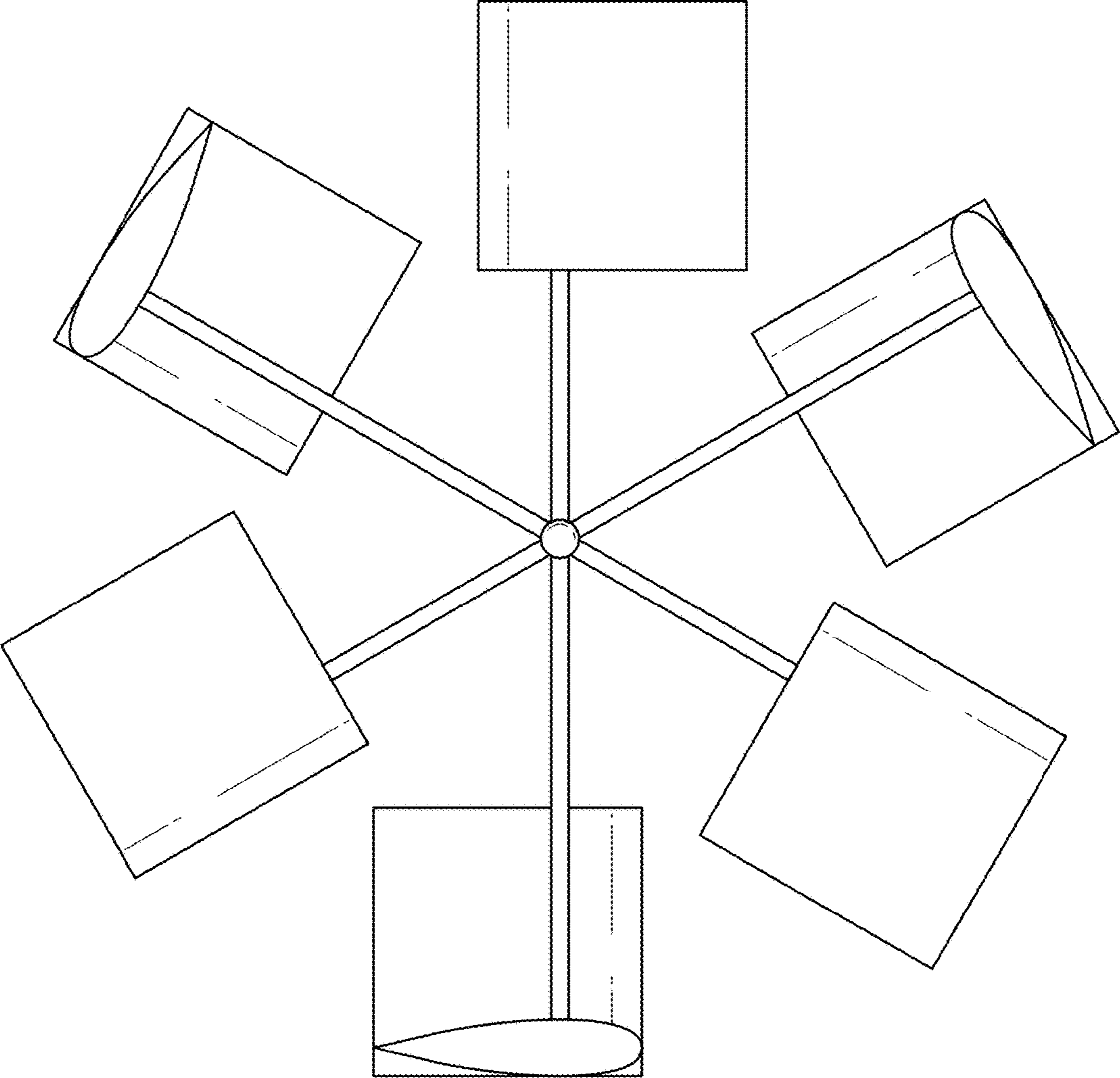


FIG. 3

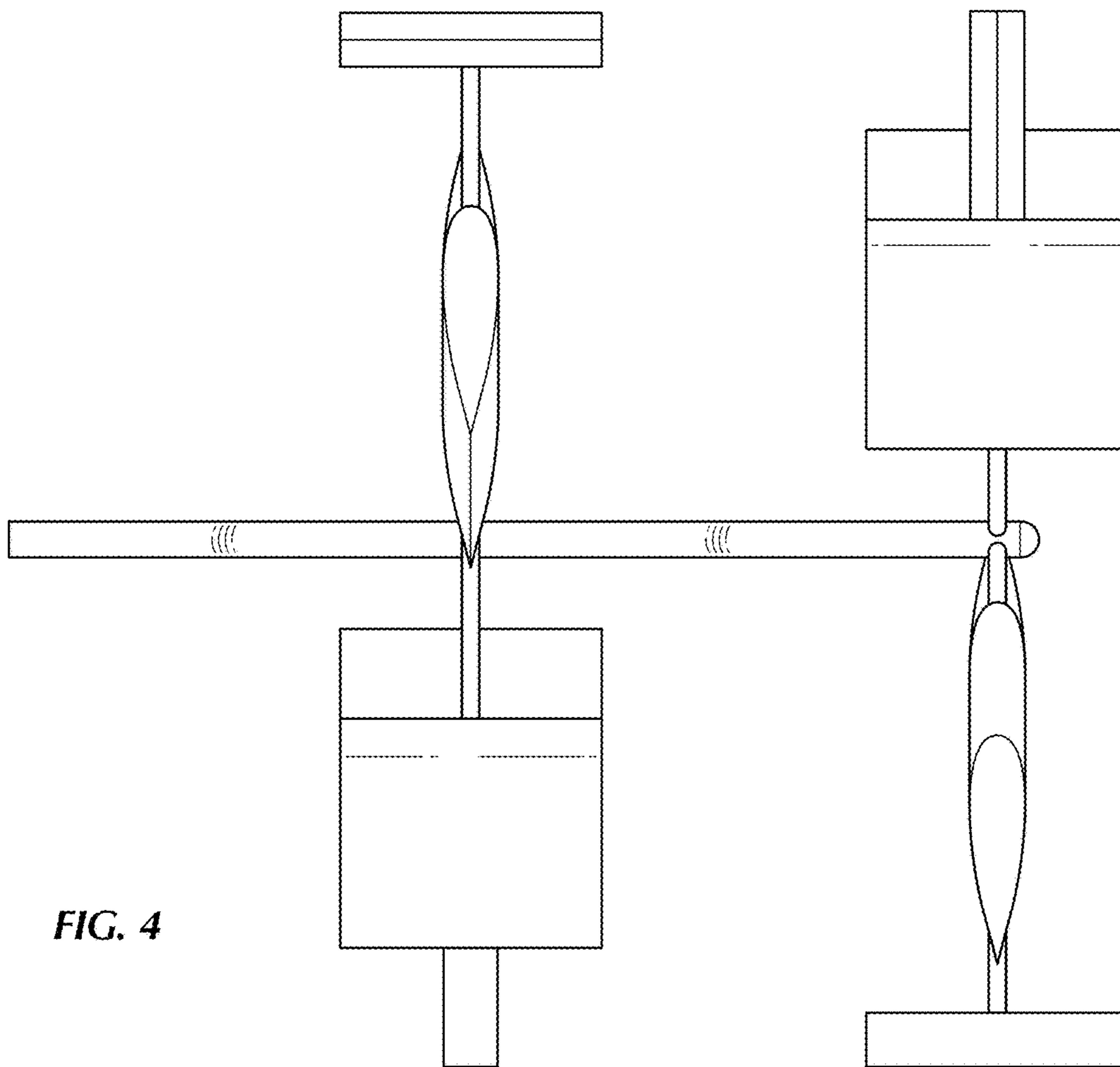


FIG. 4

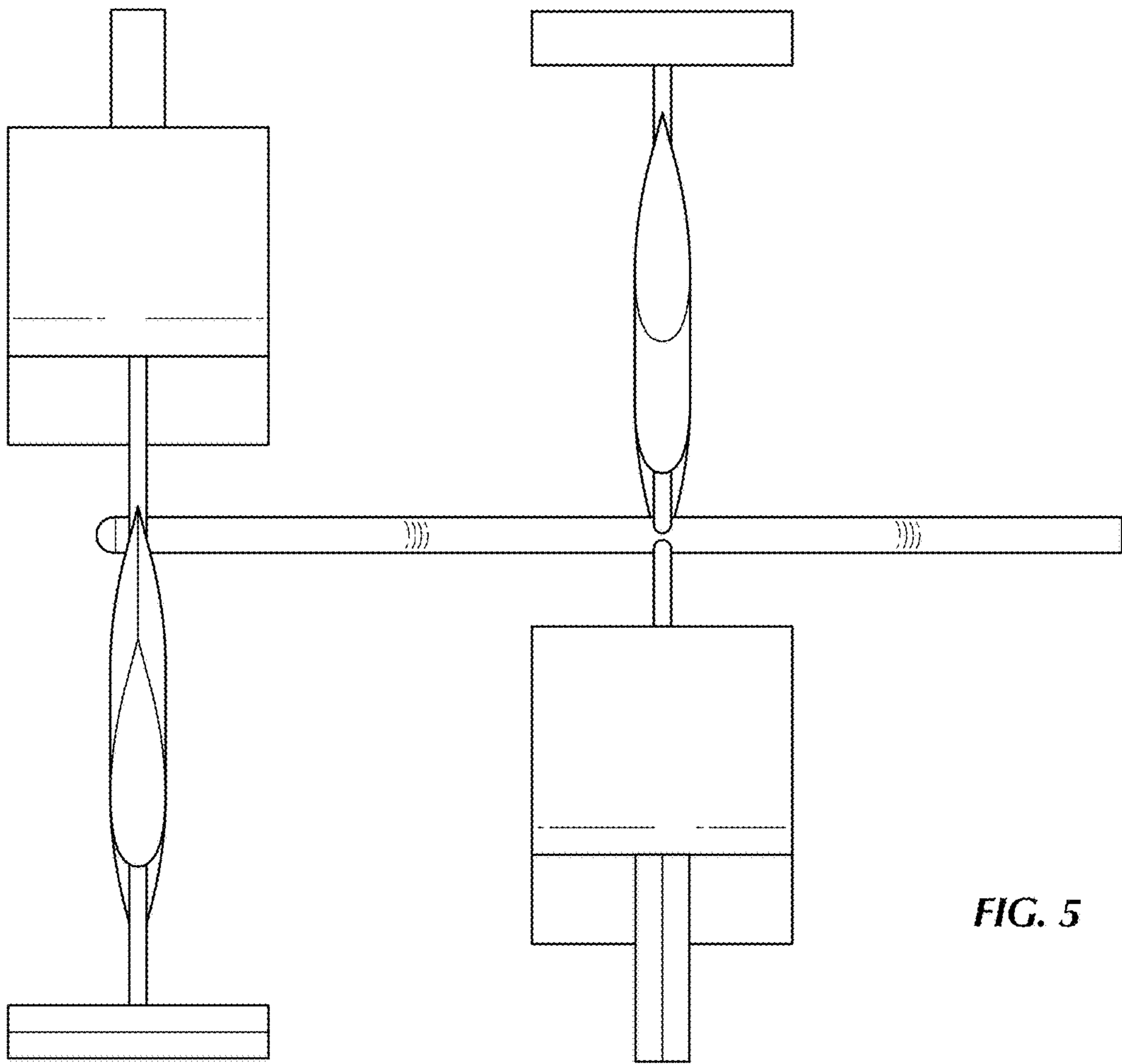


FIG. 5

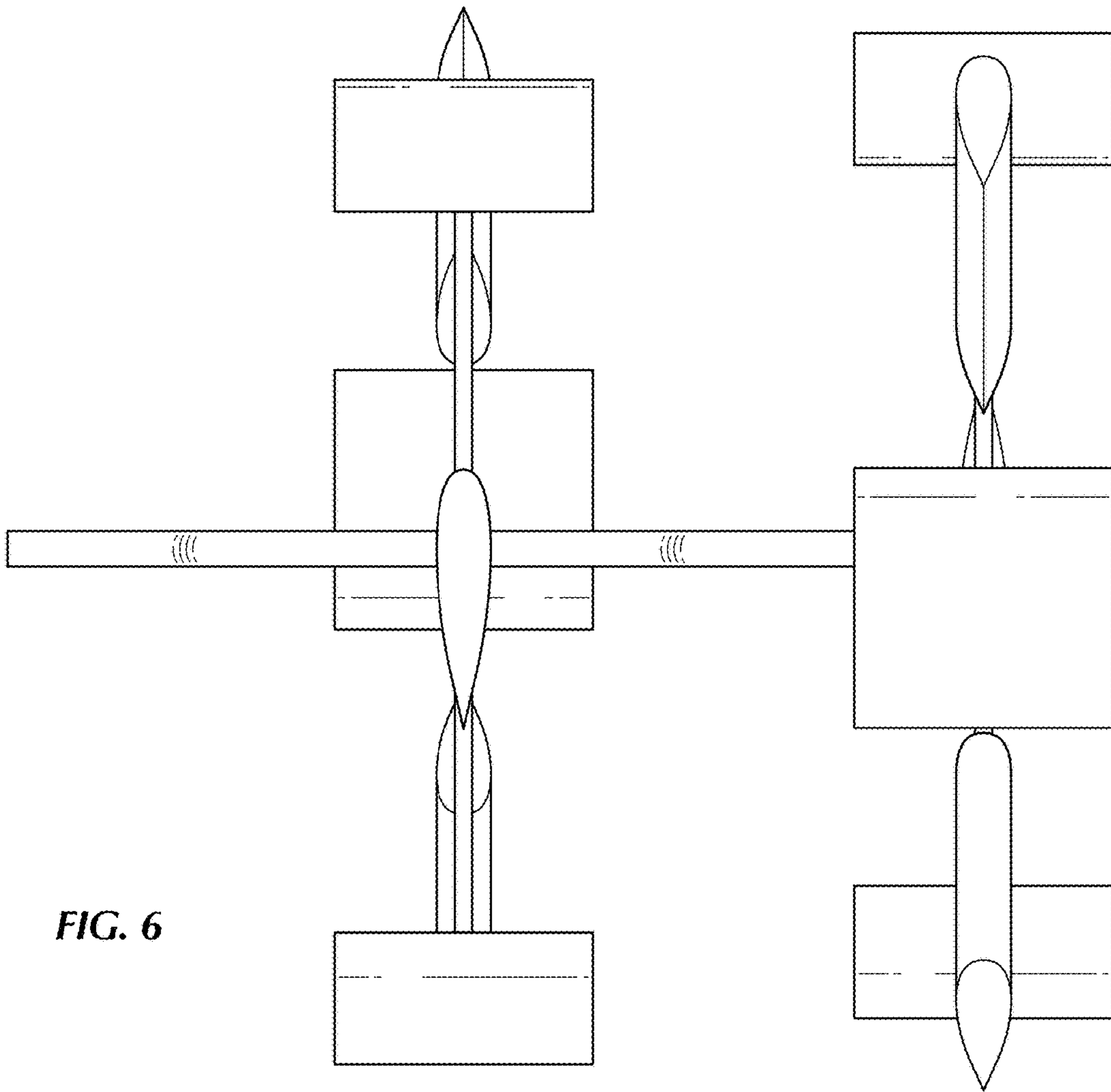


FIG. 6

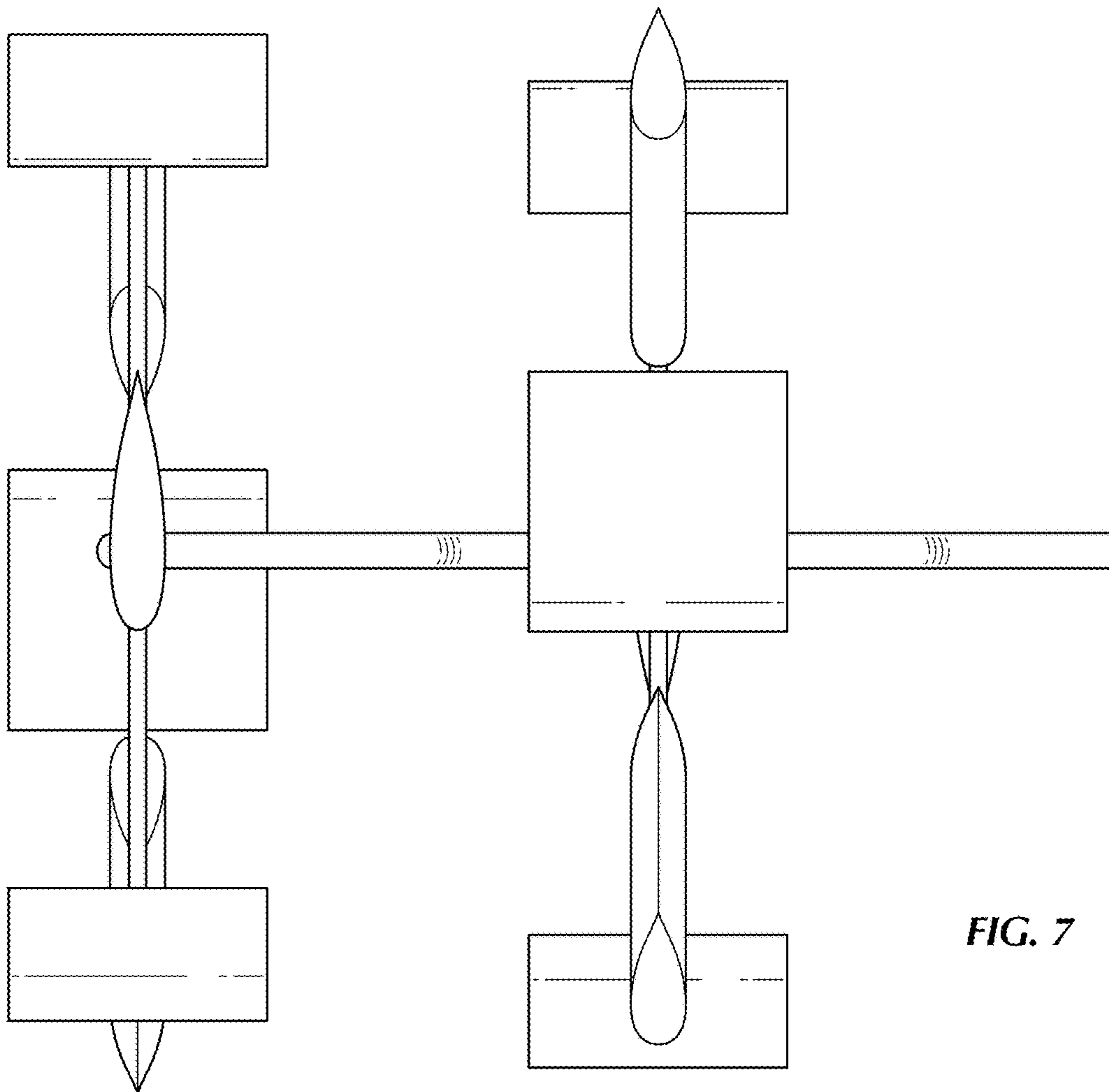


FIG. 7