



US00D821318S

(12) **United States Design Patent** (10) **Patent No.:** **US D821,318 S**
Yang (45) **Date of Patent:** **** Jun. 26, 2018**

(54) **ROTOR FOR A WAVE ENERGY CONVERTER** D200,964 S * 4/1965 Phelps D21/458
3,604,942 A * 9/1971 Nelson F03B 17/065
290/54
(71) Applicant: **Yingchen Yang**, Edinburg, TX (US) 4,313,711 A 2/1982 Lee 415/7
8,100,650 B2 1/2012 Siegel 416/53
(72) Inventor: **Yingchen Yang**, Edinburg, TX (US) (Continued)

(73) Assignee: **THE BOARD OF REGENTS OF THE UNIVERSITY OF TEXAS SYSTEM**, Austin, TX (US) FOREIGN PATENT DOCUMENTS
WO WO/00/017519 3/2000
WO WO/06/100436 9/2006
(Continued)

(**) Term: **15 Years**

(21) Appl. No.: **29/585,783**

(22) Filed: **Nov. 29, 2016**

Related U.S. Application Data

(63) Continuation-in-part of application No. PCT/US2016/052837, filed on Sep. 21, 2016.

(51) **LOC (11) Cl.** **13-01**

(52) **U.S. Cl.**
USPC **D13/114; D13/115**

(58) **Field of Classification Search**

USPC D12/180; D13/101, 102, 103, 107, 112, D13/114, 115, 116, 118, 122, 125, 133, D13/162.1, 184, 199; D14/188; D21/405, 409, 424, 450, 458, 463, 510, D21/578, 585; D23/315, 356, 377; D25/35; D32/17, 68, 70, 71, 73
CPC ... B63J 2003/046; F03B 13/18; F03B 13/141; F03B 13/1825; F03B 13/183; F03B 13/186; F03B 13/12; F03B 13/1885; F03B 13/20; F03B 17/061; F05B 2240/243; F05B 2250/292; F05B 2250/25; Y02E 10/28; Y02E 10/38; Y02E 10/725

See application file for complete search history.

(56) **References Cited**

U.S. PATENT DOCUMENTS

D125,274 S * 2/1941 Kiefer D21/458
D197,269 S * 1/1964 Lewis D20/21

OTHER PUBLICATIONS
Faizal et al, 2009, Renewable Energy, 35, 164-169.
(Continued)

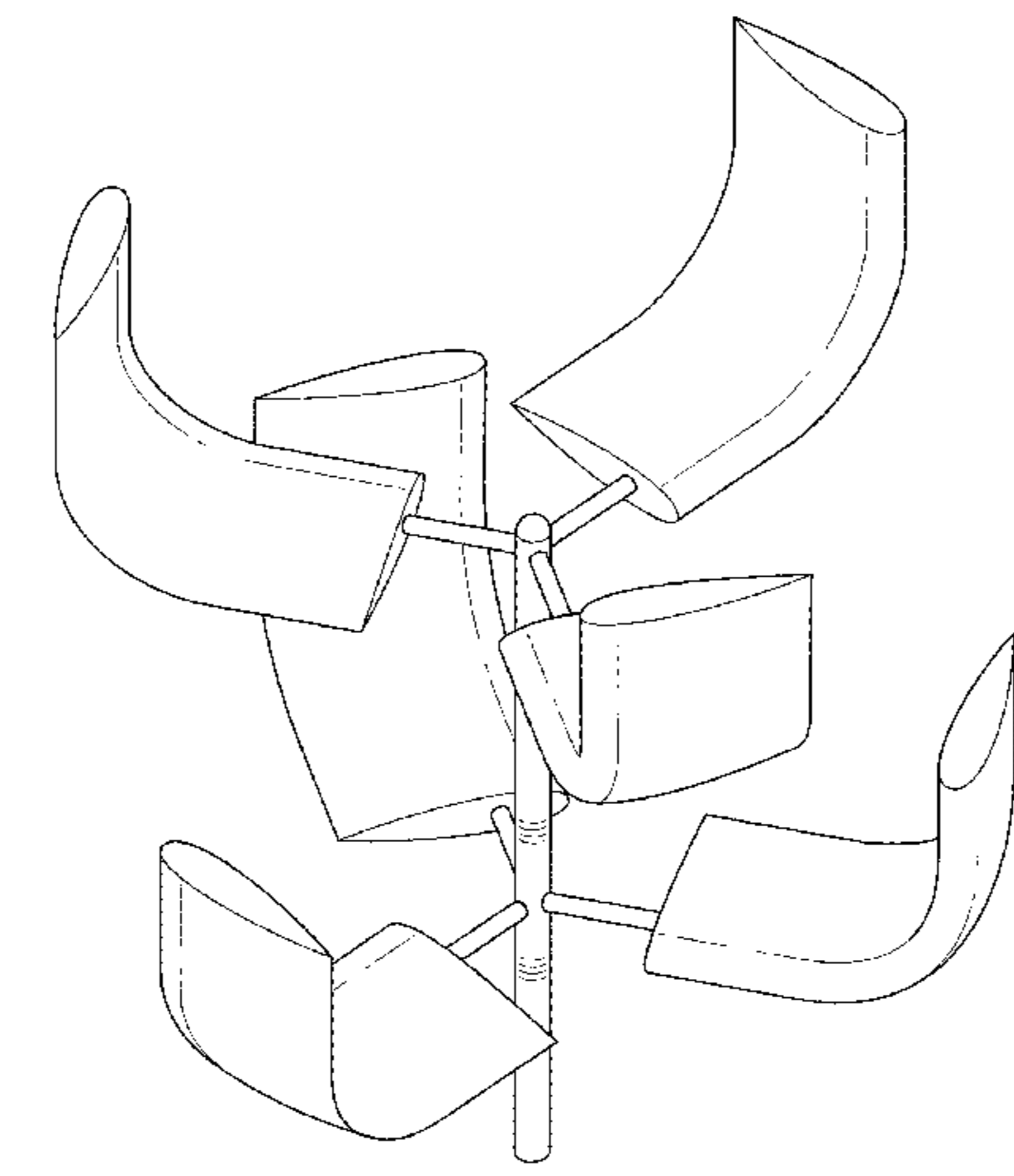
Primary Examiner — Mary Ann Calabrese
Assistant Examiner — Catherine Ho
(74) *Attorney, Agent, or Firm* — Norton Rose Fulbright US LLP

(57) **CLAIM**
The ornamental design for a rotor for a wave energy converter, as shown and described.

DESCRIPTION

This invention was made with government support under 1263196 awarded by the National Science Foundation. The government has certain rights in the invention.
FIG. 1 is a perspective view of a rotor for a wave energy converter, showing my new design;
FIG. 2 is a top plan view thereof;
FIG. 3 is a bottom plan view thereof;
FIG. 4 is a right side elevational view thereof;
FIG. 5 is a left side elevational view thereof;
FIG. 6 is a front elevational view thereof; and,
FIG. 7 is a back elevational view thereof.

1 Claim, 7 Drawing Sheets



(56)

References Cited

U.S. PATENT DOCUMENTS

8,206,113	B2	6/2012	Ryynanen et al.	416/176
8,664,790	B2 *	3/2014	Cornelius	F03B 3/04 290/54
D778,774	S *	2/2017	Weiser	D11/162
2009/0211241	A1	8/2009	Moffat	60/501
2010/0320766	A1	12/2010	Klukowski	290/53
2011/0123332	A1 *	5/2011	Grenier	F03D 3/061 416/41
2011/0262280	A1 *	10/2011	Schubert	B29C 70/30 416/223 R
2014/0327338	A1	11/2014	Vamvas	310/306

FOREIGN PATENT DOCUMENTS

WO	WO/07/130334	11/2007
WO	WO/10/011133	1/2010
WO	WO/12/166063	12/2012

OTHER PUBLICATIONS

International Search Report and Written Opinion in International Application No. PCT/US2016/052837 dated Dec. 12, 2016.
 Mohamed, *Energy*, 47:522-30, 2012.
 Pierson and Moskowitz, *Journal of Geophysical Research*, 69:5181-90, 1964.
 Pindado et al., *The Scientific World Journal*, Article ID 197325, 2013.
 Raghunathan, *Progress in Aerospace Sciences*, 31:335-386, 1995.

* cited by examiner

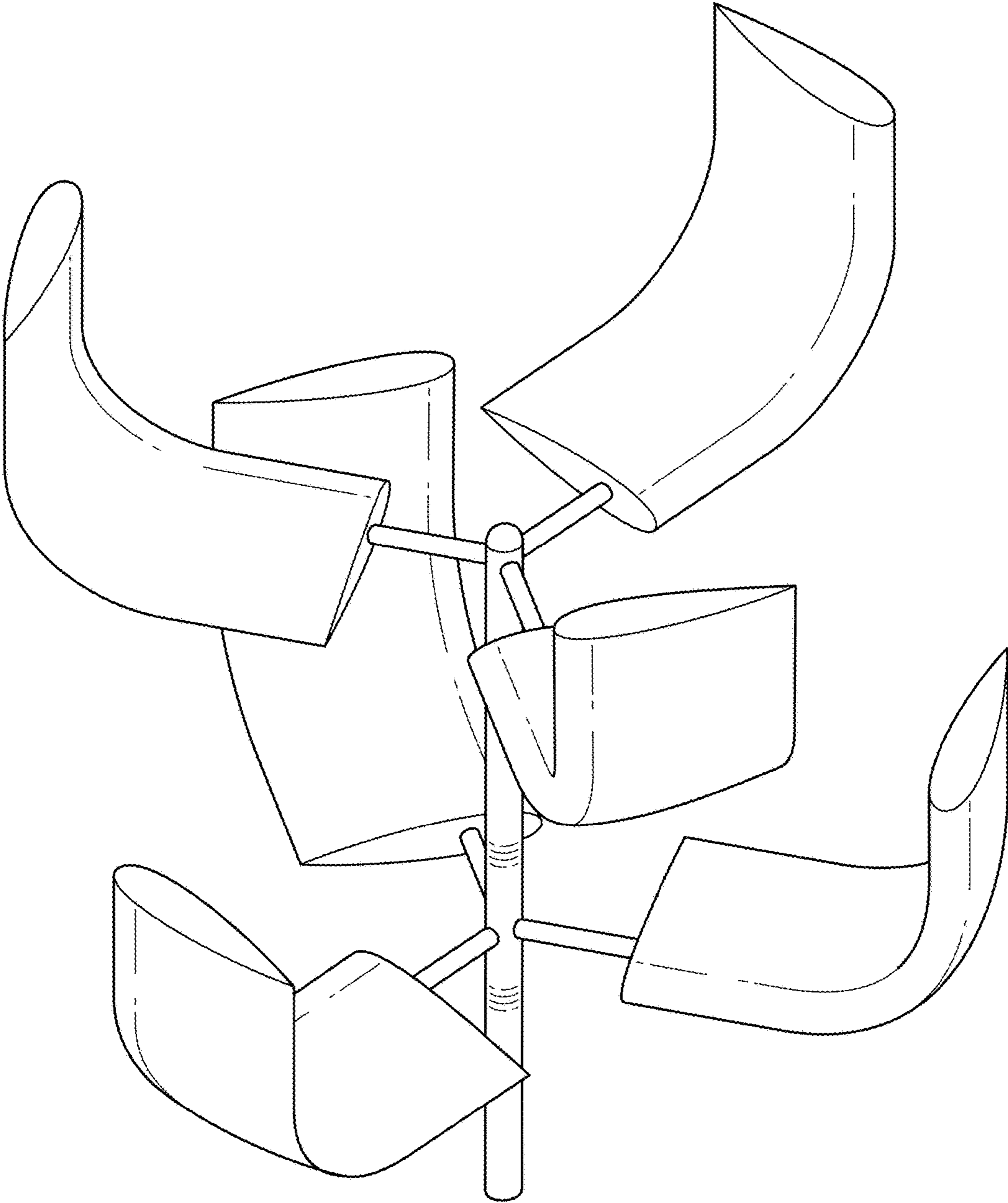


FIG. 1

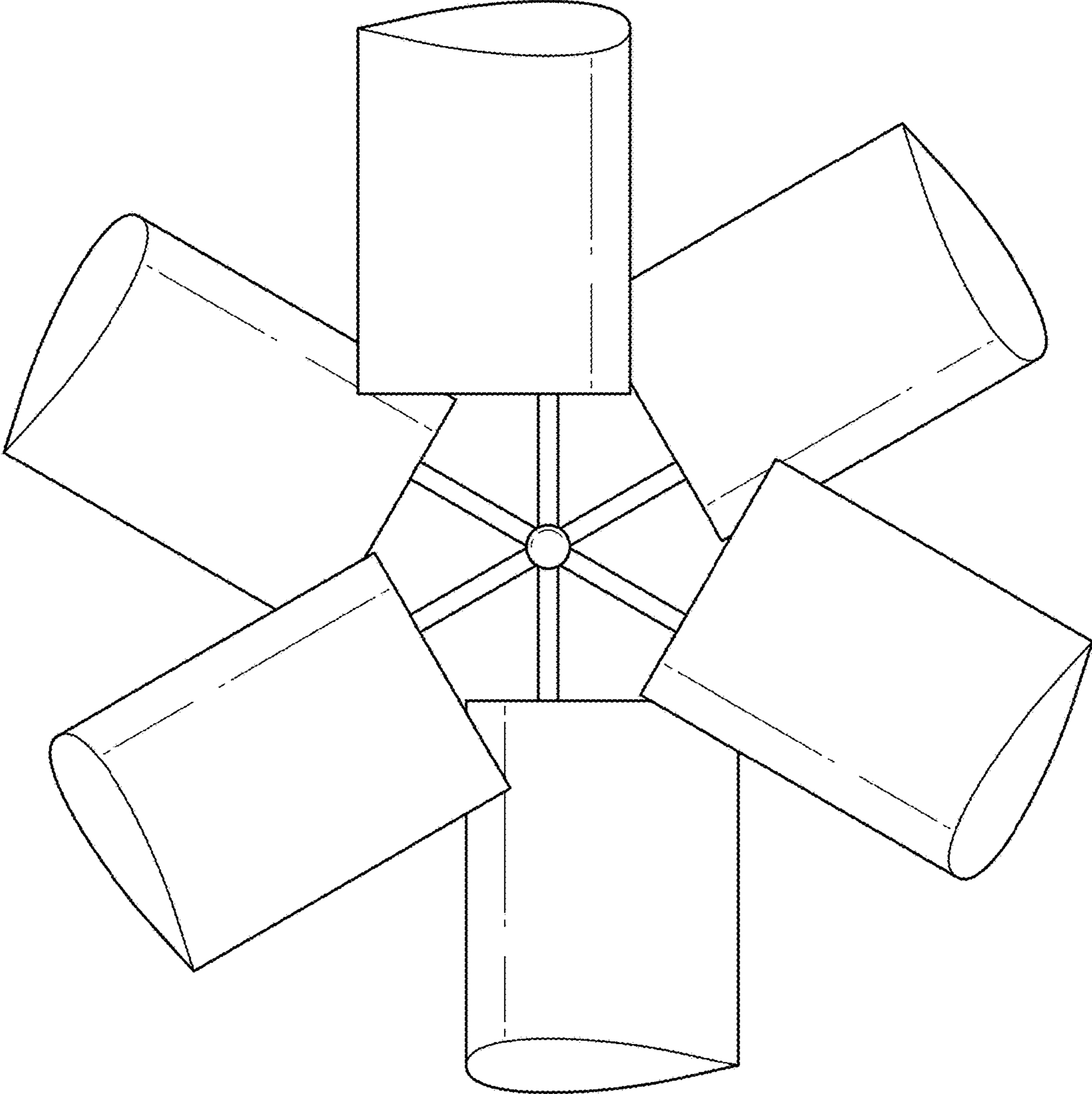


FIG. 2

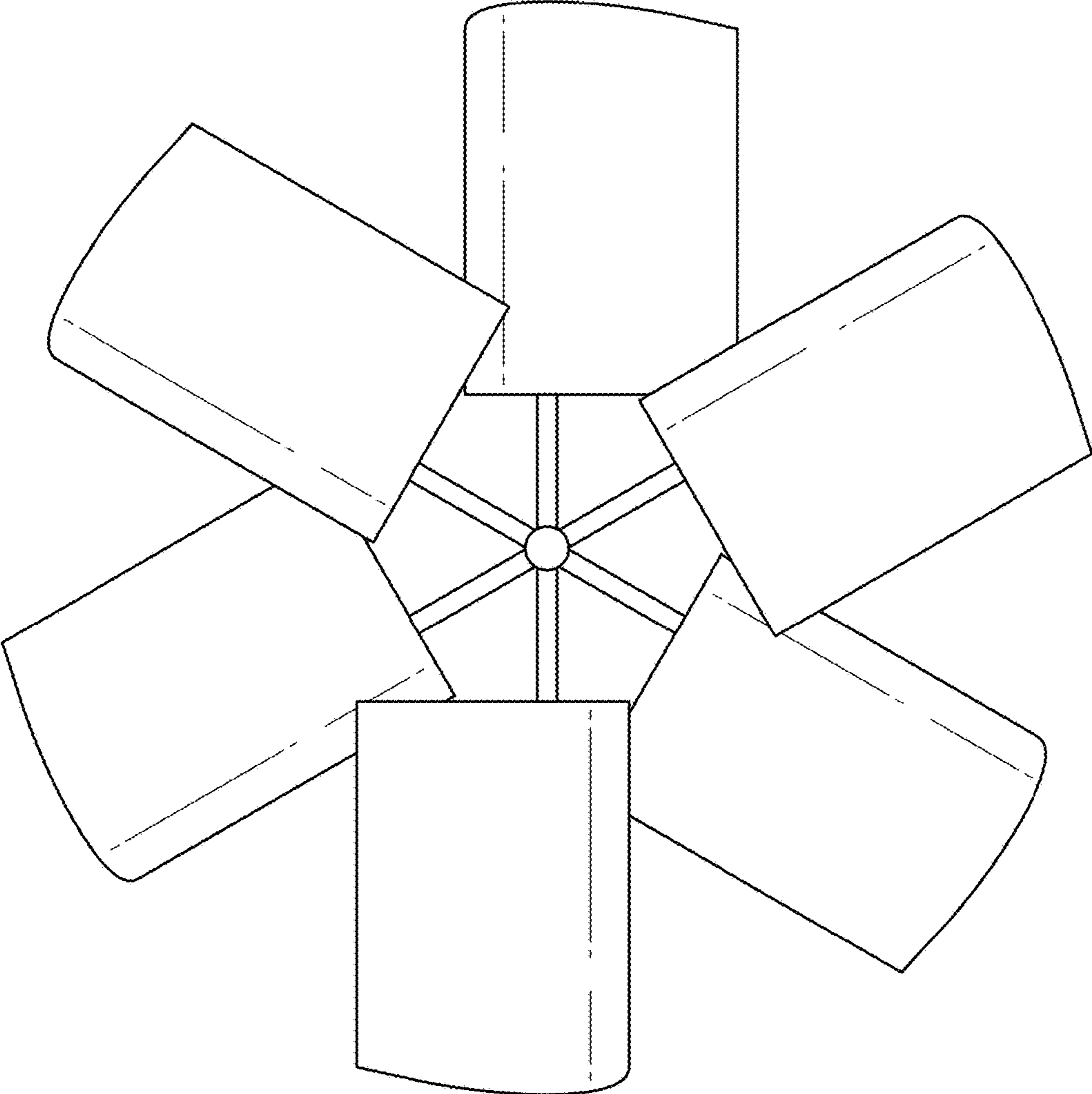


FIG. 3

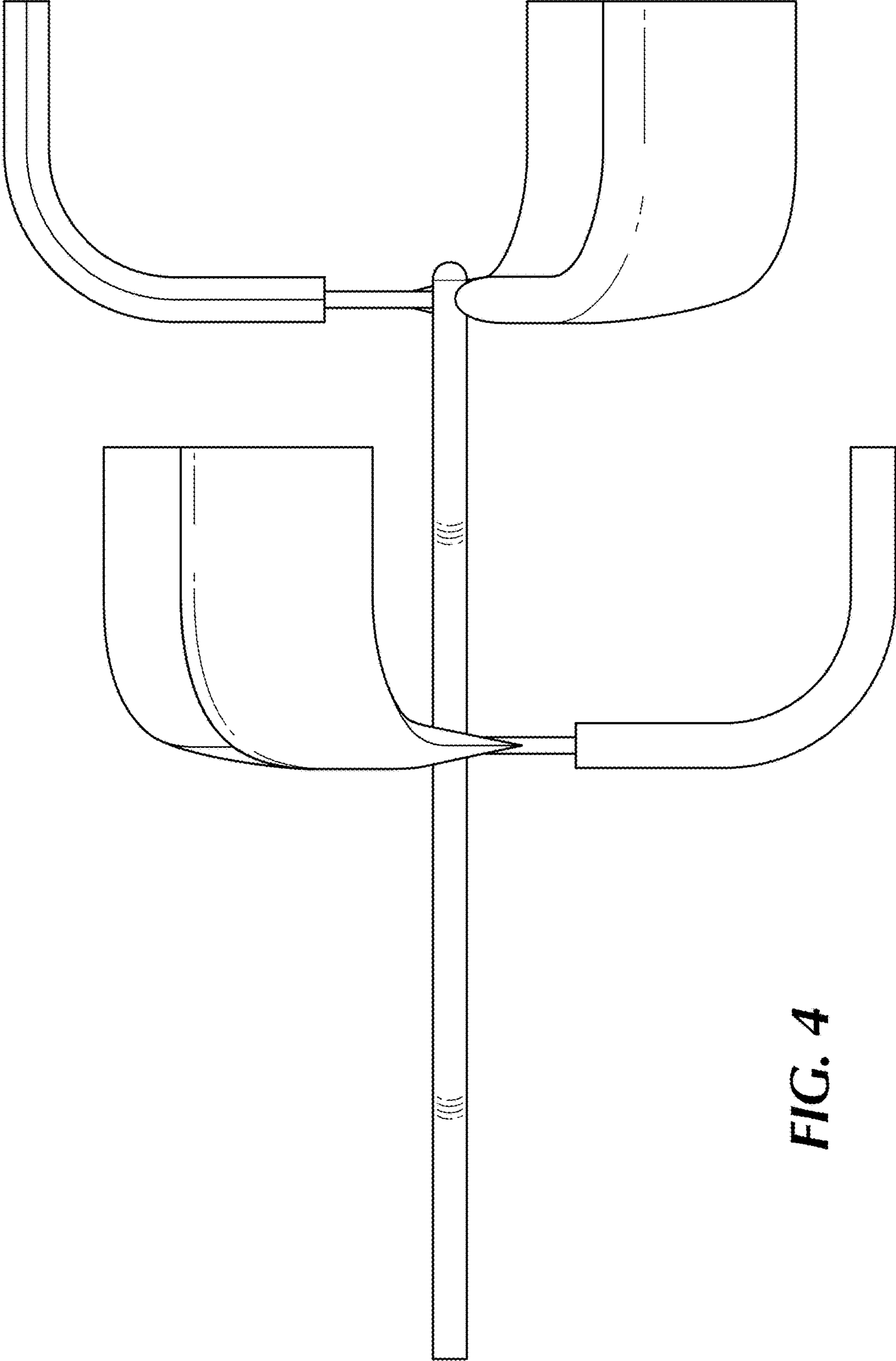


FIG. 4

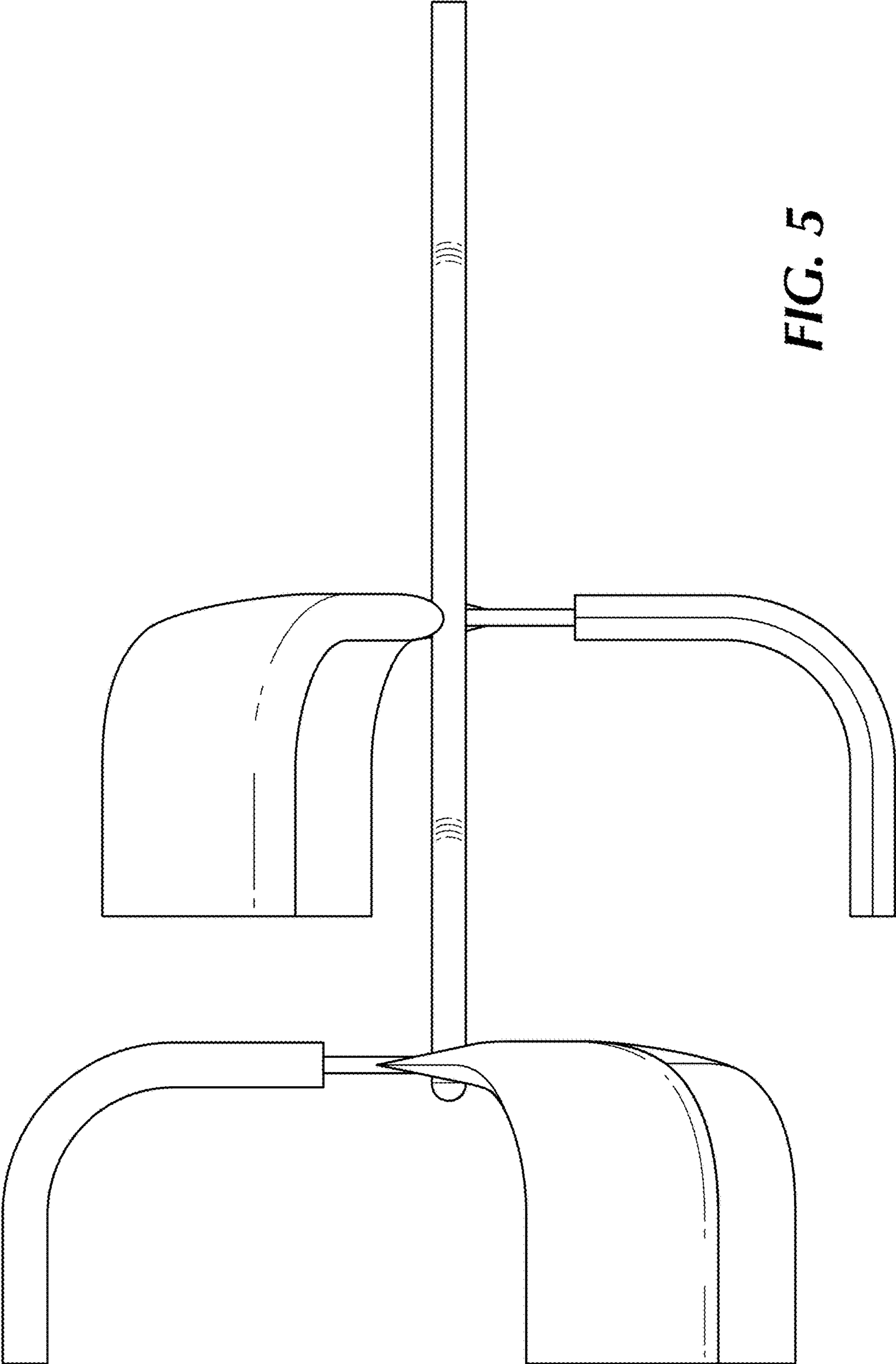


FIG. 5

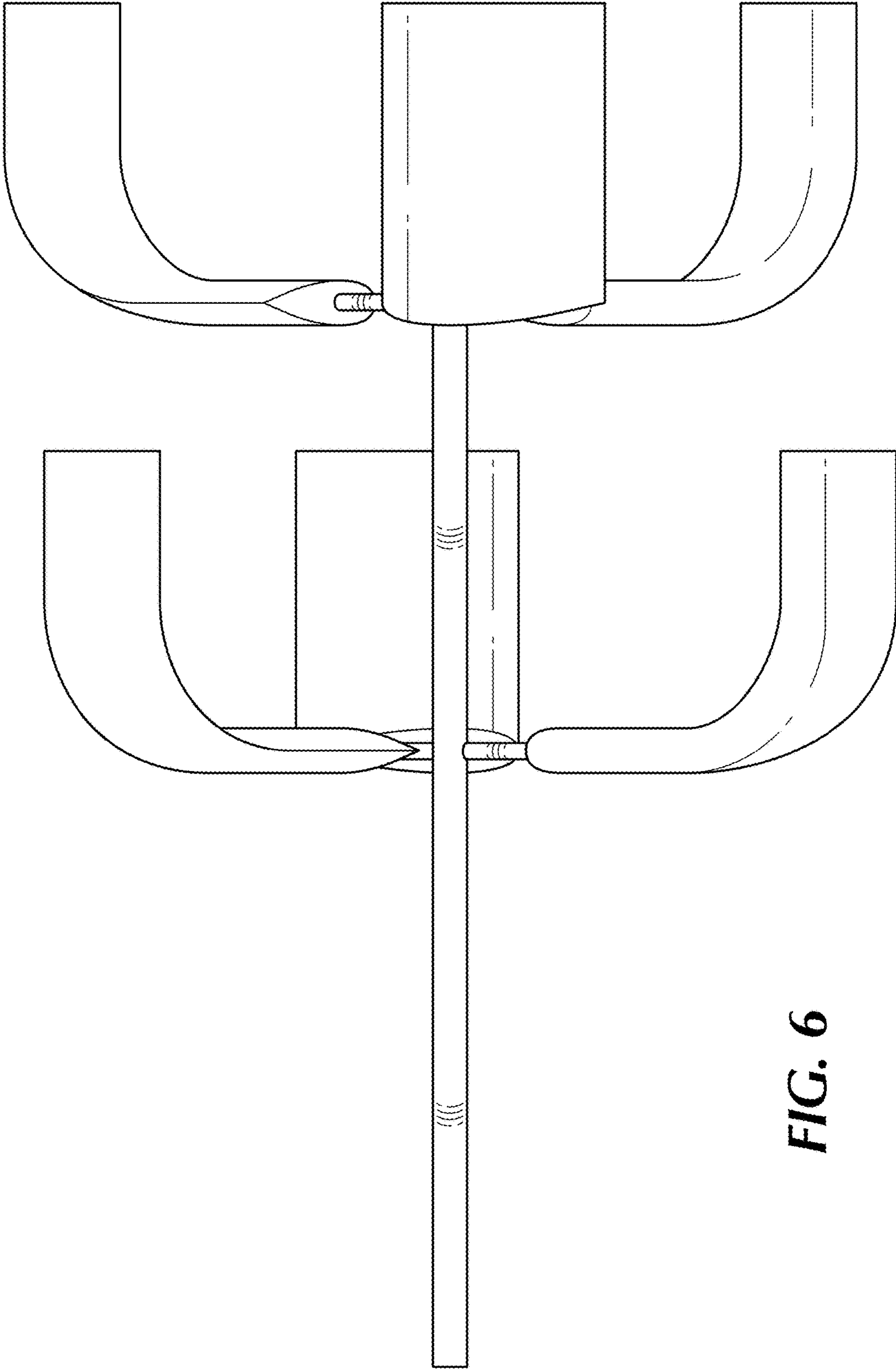


FIG. 6

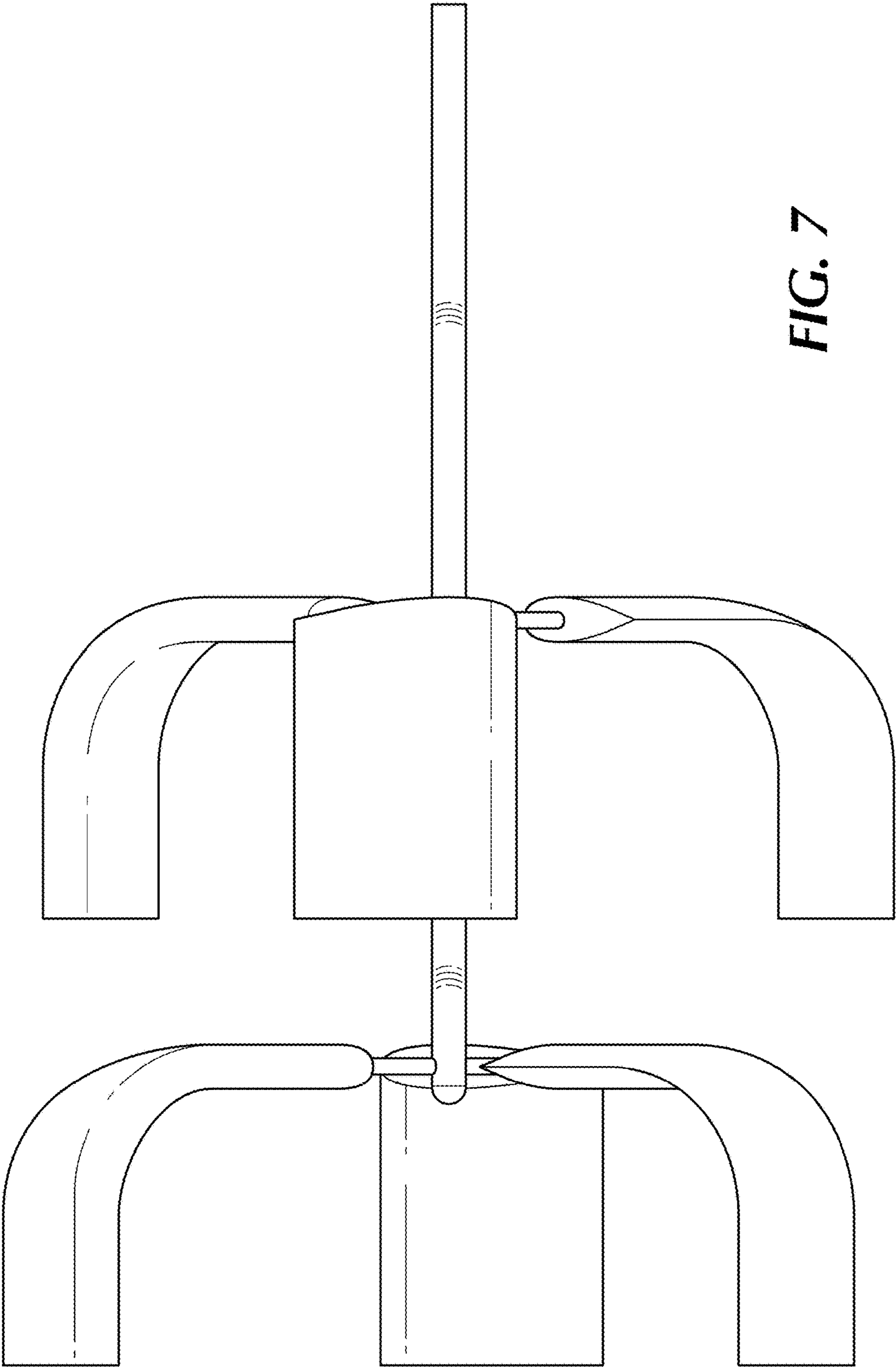


FIG. 7