



US00D821315S

(12) **United States Design Patent**  
**Ebner**

(10) **Patent No.:** **US D821,315 S**  
(45) **Date of Patent:** **\*\* Jun. 26, 2018**

(54) **ELECTRIC MOTOR**

(71) Applicant: **Wittenstein AG**, Igersheim (DE)

(72) Inventor: **Siegfried Ebner**, Zell am See (AT)

(73) Assignee: **Wittenstein SE**, Igersheim (DE)

(\*\*) Term: **15 Years**

(21) Appl. No.: **29/528,513**

(22) Filed: **May 29, 2015**

(30) **Foreign Application Priority Data**

Apr. 9, 2015 (EM) ..... 002677708-0001

(51) **LOC (11) Cl.** ..... **13-01**

(52) **U.S. Cl.**  
USPC ..... **D13/112**

(58) **Field of Classification Search**  
USPC ..... D13/101, 110, 112–118, 123, 162, 184,  
D13/199; D15/3, 5, 199; 74/606 R, 609;  
310/10, 40 MM, 40 R, 42, 51, 52, 58, 64,  
310/71, 80, 83, 85, 88, 89, 91, 109, 236,  
310/239, 254; 318/244–5; 322/16, 29;  
29/596–598

CPC . F02B 63/04; H02K 3/24; H02K 3/47; H02K  
1/16

See application file for complete search history.

(56) **References Cited**

**U.S. PATENT DOCUMENTS**

D306,009 S \* 2/1990 Mintz ..... D13/112  
5,696,415 A \* 12/1997 Fujimoto ..... H02K 5/24  
310/64  
D398,285 S \* 9/1998 Becker ..... D13/114  
D425,020 S \* 5/2000 Becker ..... D13/114

D563,870 S \* 3/2008 Naghshineh ..... D13/114  
D574,325 S \* 8/2008 Naghshineh ..... D13/114  
D587,194 S \* 2/2009 Pourkermani ..... D13/114  
D696,222 S \* 12/2013 Jia ..... D14/155  
D700,575 S \* 3/2014 Andersson ..... D13/114

**OTHER PUBLICATIONS**

Packaging Digest, No. 10, vol. 40, p. 102 (Publicly Known Information No. HB15013507 in the Design Division of the Japanese Patent Office).

Alpha, p. 6 (Publicly Known Information No. HD18026328 in the Design Division of the Japanese Patent Office).

Decision of Design Registration Application No. 2015-013149 dated Dec. 21, 2015.

\* cited by examiner

*Primary Examiner* — Derrick Holland

*Assistant Examiner* — Jennifer O King

(74) *Attorney, Agent, or Firm* — Bachman & LaPointe, PC

(57) **CLAIM**

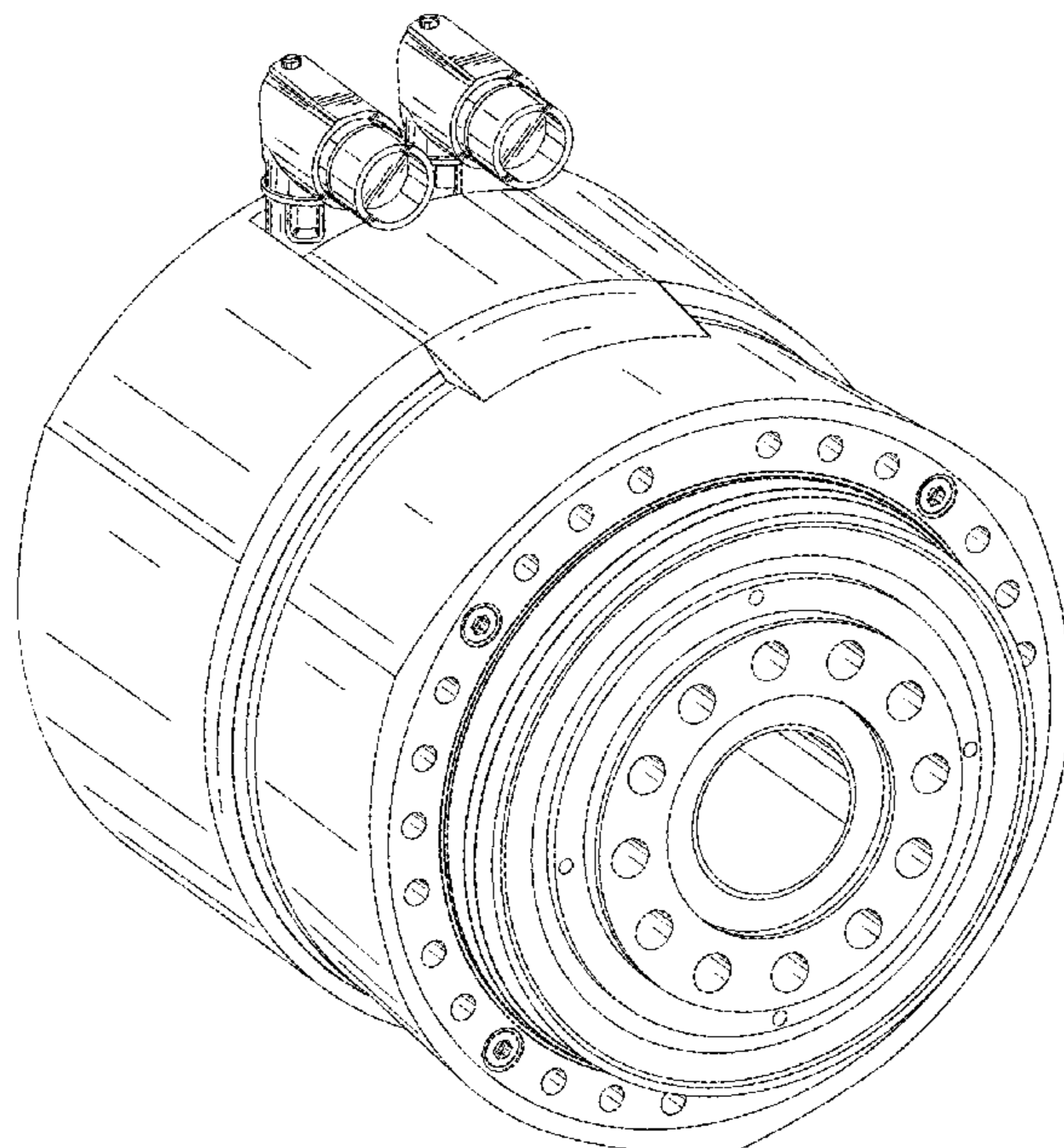
The ornamental design of an electric motor, as shown and described.

**DESCRIPTION**

FIG. 1 is a bottom plan view showing the ornamental design of an electric motor according to the invention; FIG. 2 is a front elevational view thereof; FIG. 3 is a front perspective view thereof; FIG. 4 is a rear elevational view thereof; FIG. 5 is a right side elevational view thereof; FIG. 6 is a left side elevational view thereof; and, FIG. 7 is a top plan view thereof.

The broken lines shown represent portions of the electric motor that form no part of the claimed design.

**1 Claim, 7 Drawing Sheets**



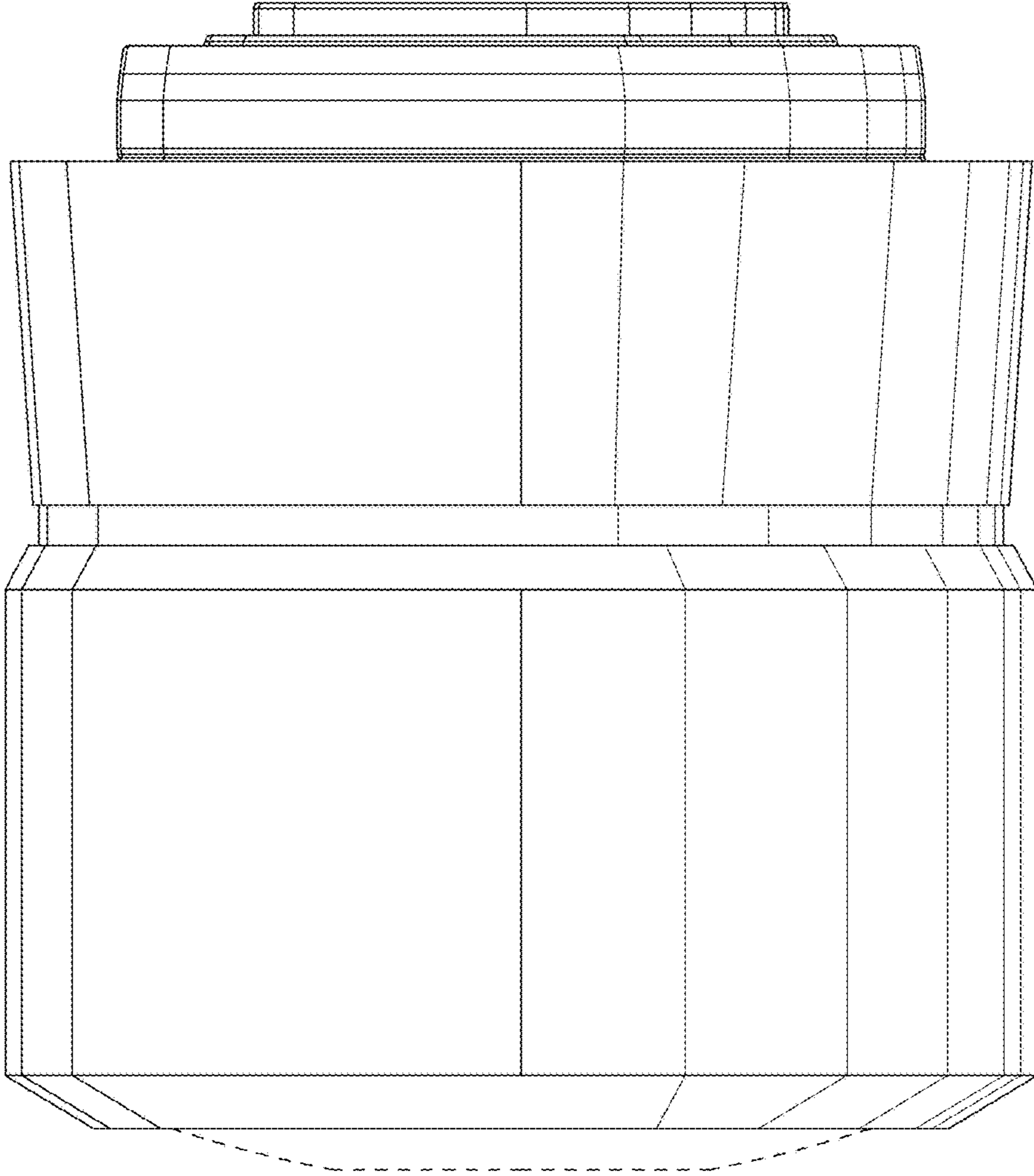


FIG. 1

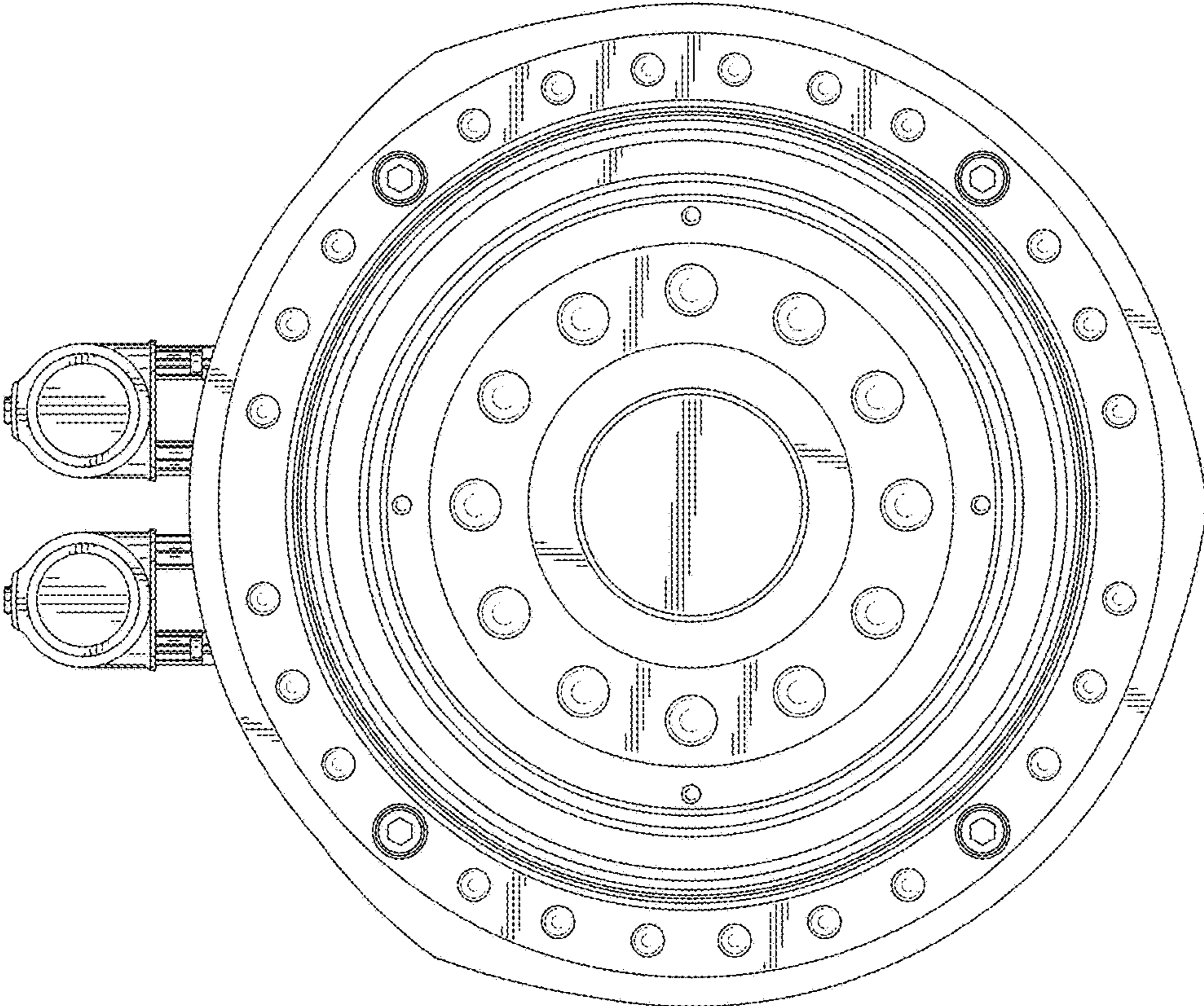


FIG. 2

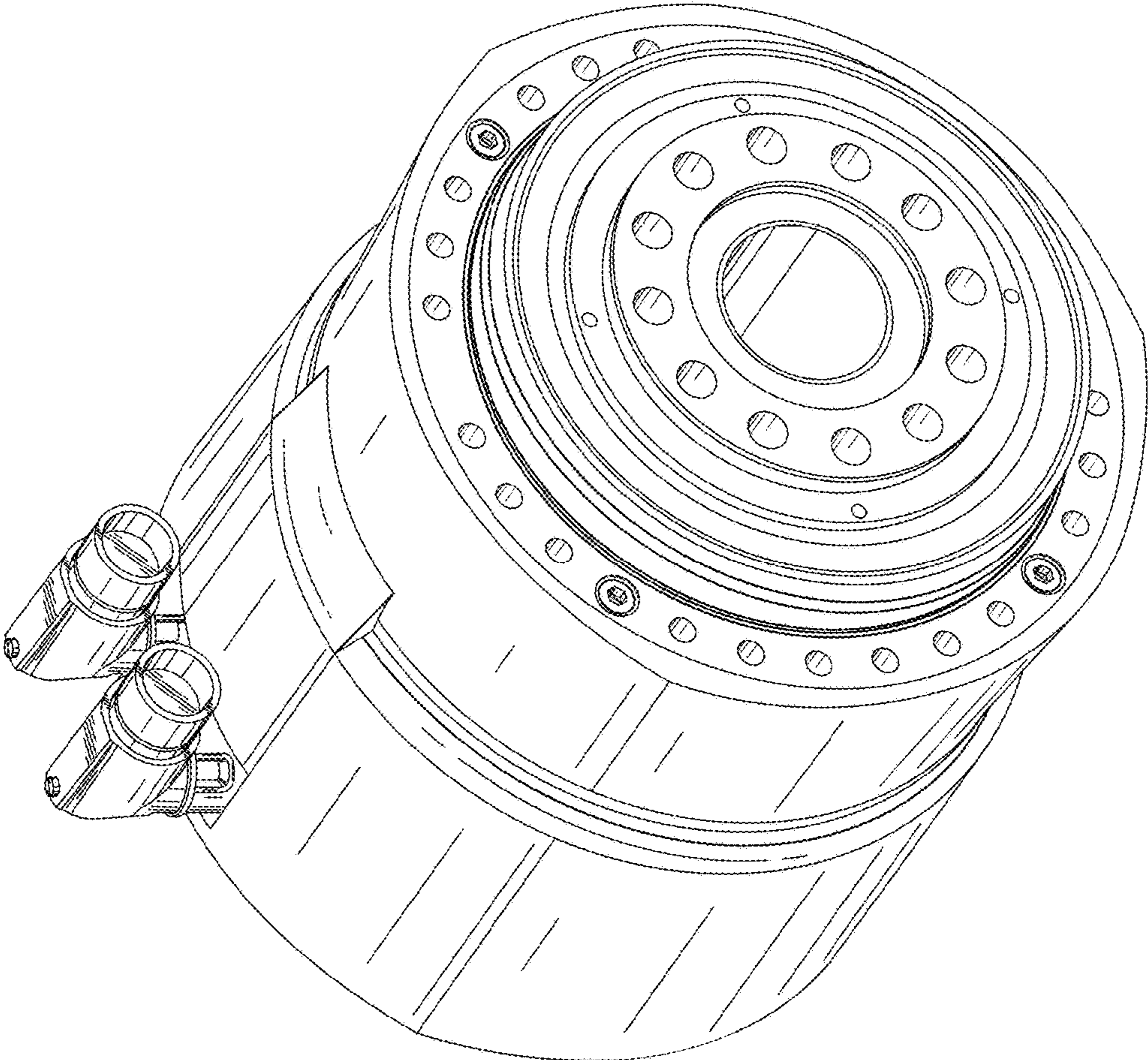


FIG. 3

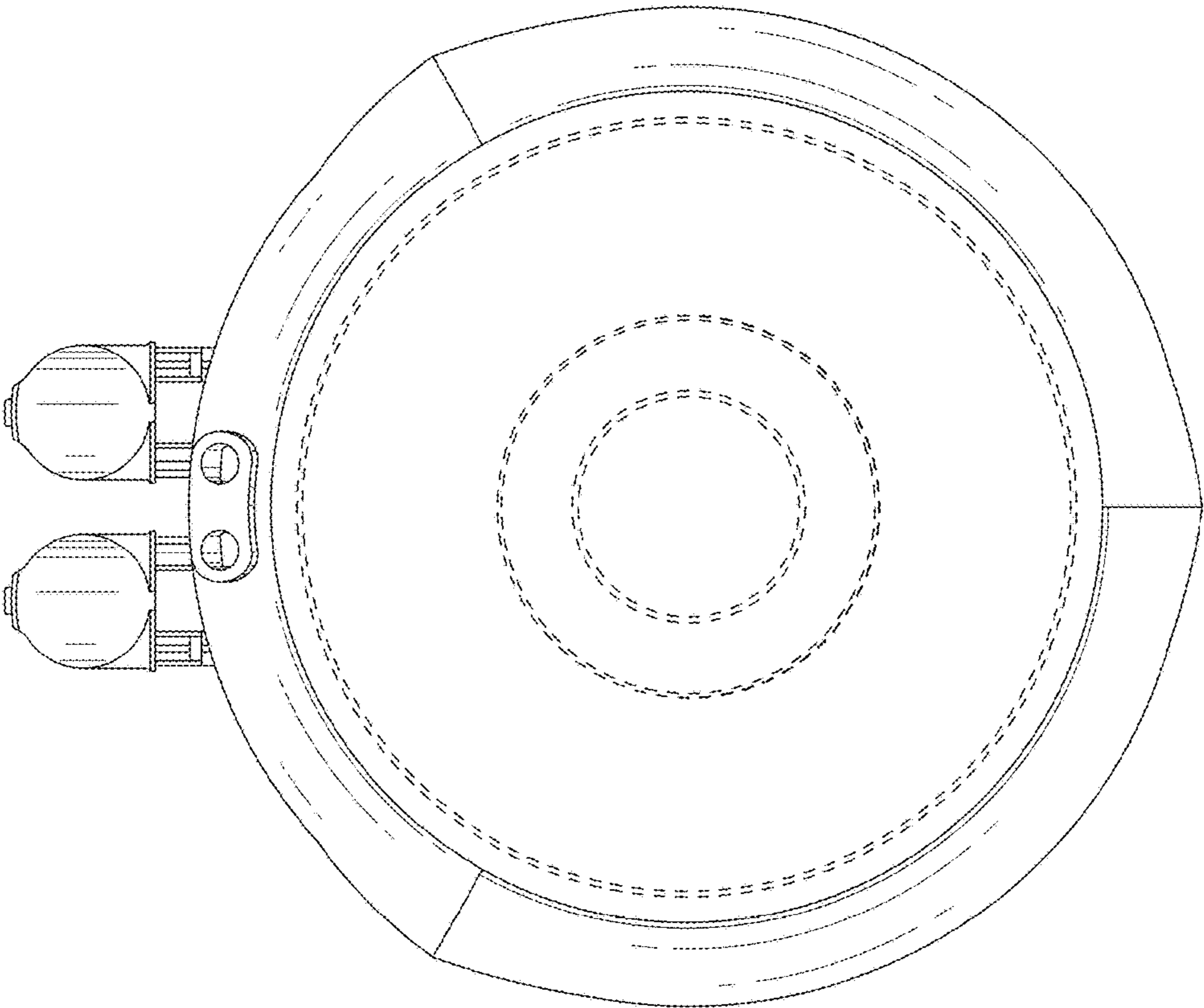


FIG. 4

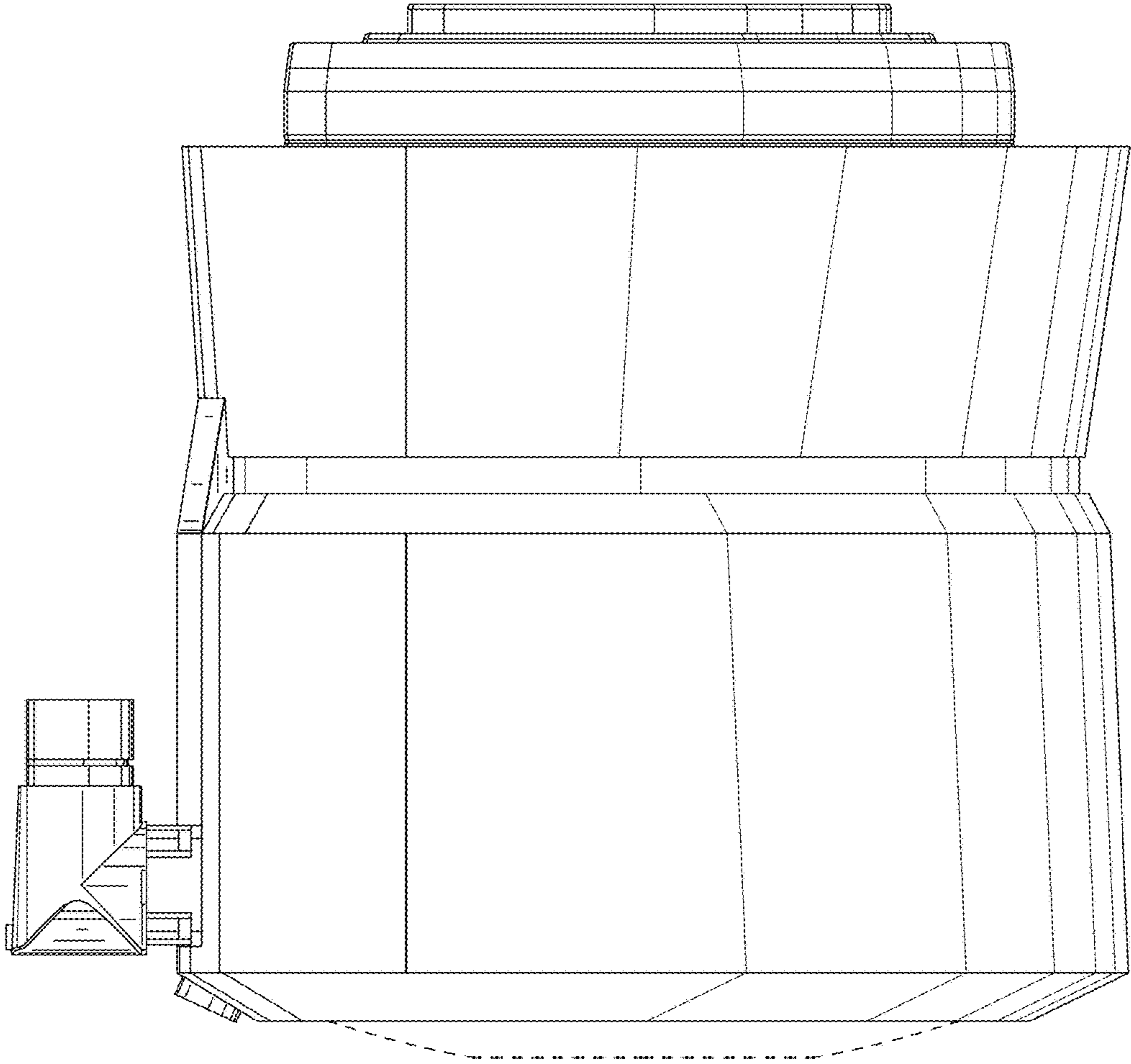


FIG. 5

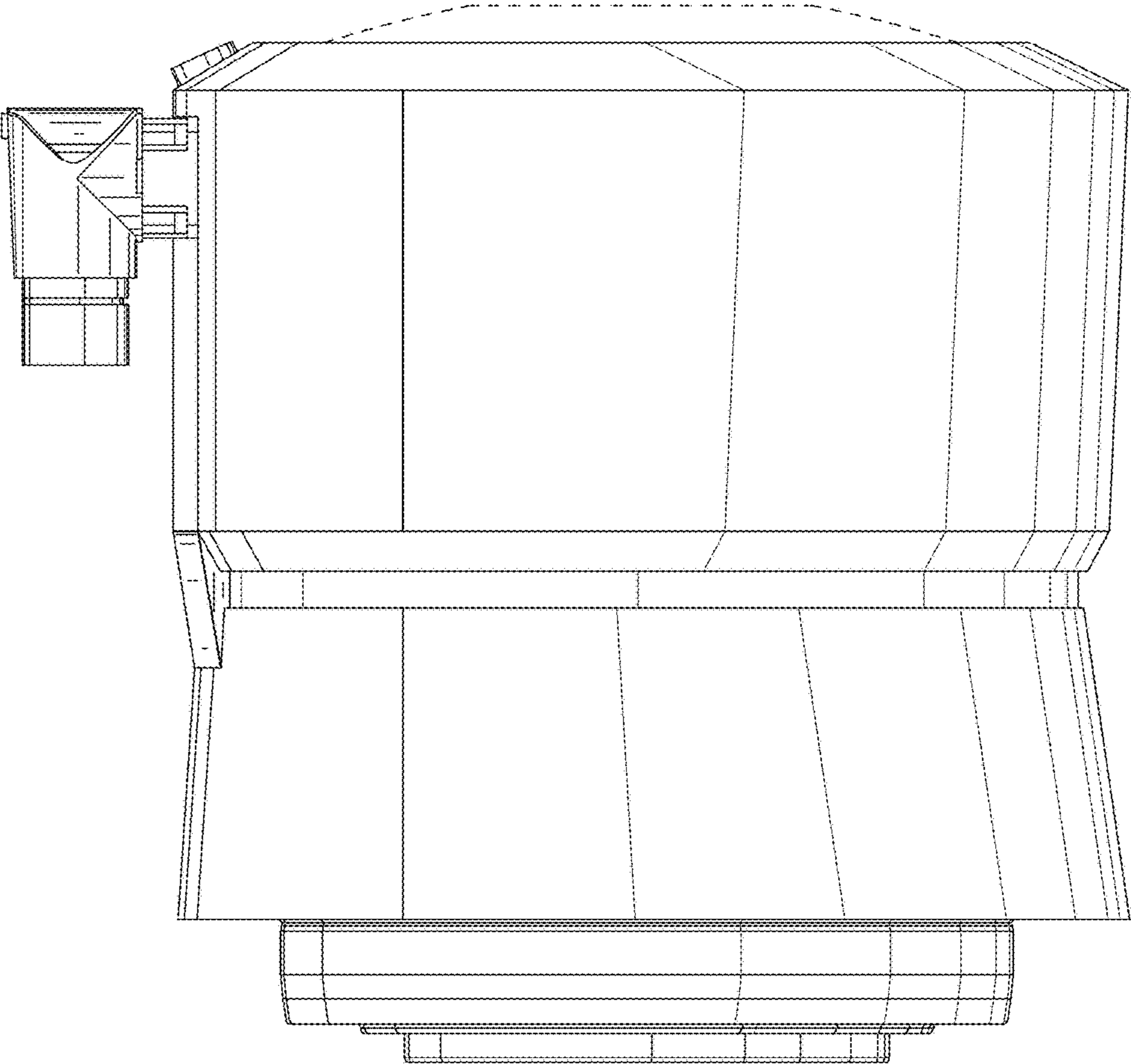


FIG. 6

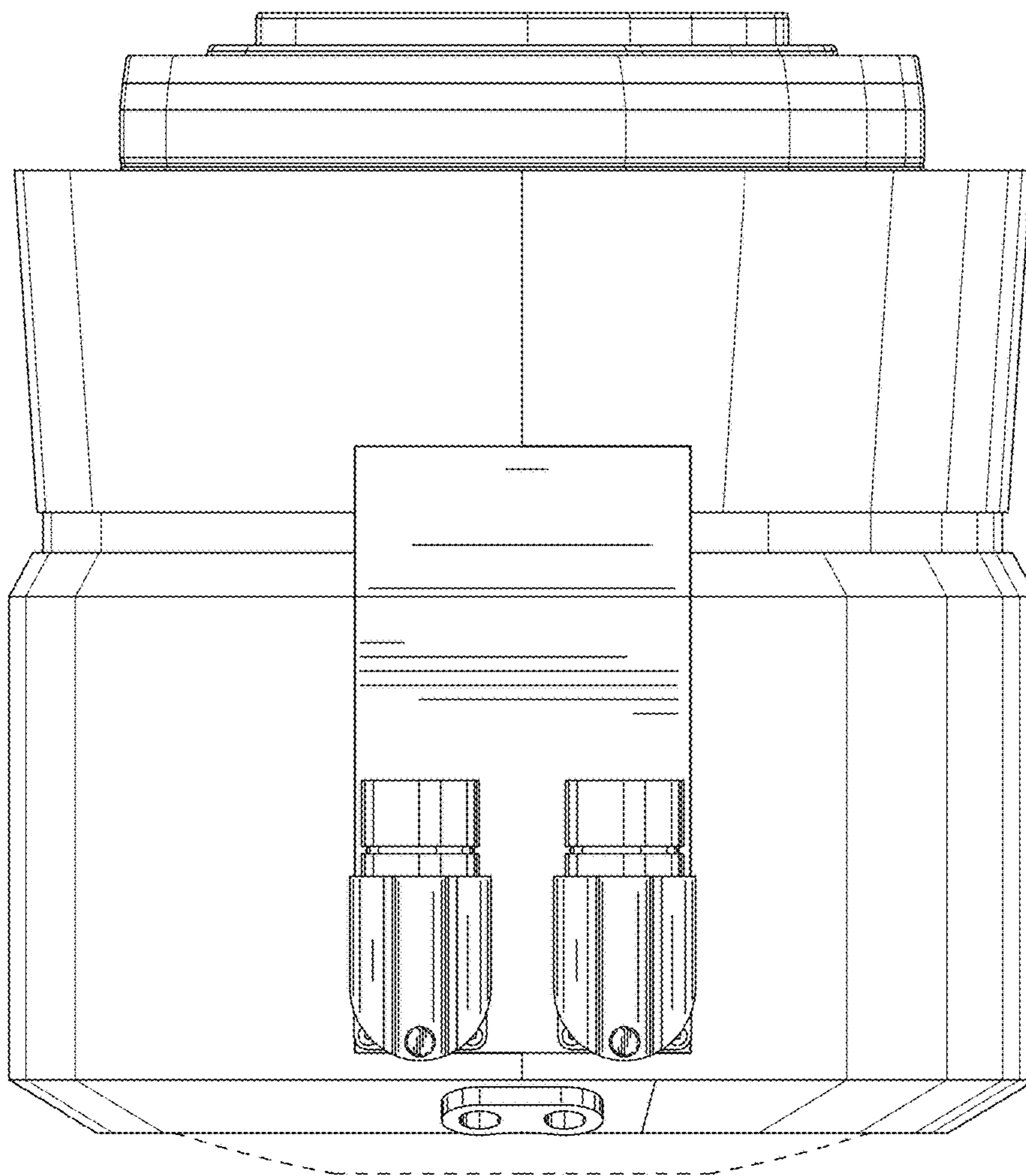


FIG. 7