



US00D821314S

(12) **United States Design Patent**
Yang et al.

(10) **Patent No.:** **US D821,314 S**

(45) **Date of Patent:** **** Jun. 26, 2018**

(54) **EMERGENCY POWER SUPPLY**

(71) Applicant: **Ningbo Guide Electronic Technology Co., Ltd**, Zhejiang Province (CN)

(72) Inventors: **Zhaolin Yang**, Zhejiang Province (CN); **Jianrong Zhou**, Zhejiang Province (CN); **Jun Wang**, Zhejiang Province (CN); **Shilin Wang**, Zhejiang Province (CN); **Weijun Pan**, Zhejiang Province (CN)

(**) Term: **15 Years**

(21) Appl. No.: **29/608,731**

(22) Filed: **Jun. 26, 2017**

(51) **LOC (11) Cl.** **13-03**

(52) **U.S. Cl.**
USPC **D13/110**

(58) **Field of Classification Search**
USPC D13/101, 102, 103, 104, 105, 106, 107, D13/108, 109, 110, 118, 119, 184, 199; D14/432, 433, 435, 435.1, 436, 437, 438
CPC H02M 5/00; H02M 5/02; H02M 5/04; H02M 5/32; H02M 5/38; H02M 5/40; H02M 5/42; H02M 5/46; H02M 5/48; H02M 7/00; H02M 7/02; H02M 7/30; H02M 7/42; H02M 7/44; H02M 7/54; H02M 7/68; H02M 7/86; H01M 2/02; H01M 2/10; H02J 2007/0001; H02J 2007/0003; H02J 2007/0004; H02J 2007/0096; H02J 7/0062; H02J 7/0063; H02J 7/0068; H02J 7/02; Y02E 60/10; Y02E 60/12; Y02E 60/50

See application file for complete search history.

(56) **References Cited**

U.S. PATENT DOCUMENTS

D681,550 S *	5/2013	Corbin	D13/103
D701,490 S *	3/2014	Inskeep	D13/110
D705,729 S *	5/2014	Inskeep	D13/110
D725,031 S *	3/2015	Tinius	D13/103
D742,822 S *	11/2015	Ju	D13/103
D753,059 S *	4/2016	Krantz	D13/110
D806,027 S *	12/2017	Ceravalo	D13/110

* cited by examiner

Primary Examiner — Daniel Bui

(74) *Attorney, Agent, or Firm* — Prakash Nama; Global IP Services, PLLC

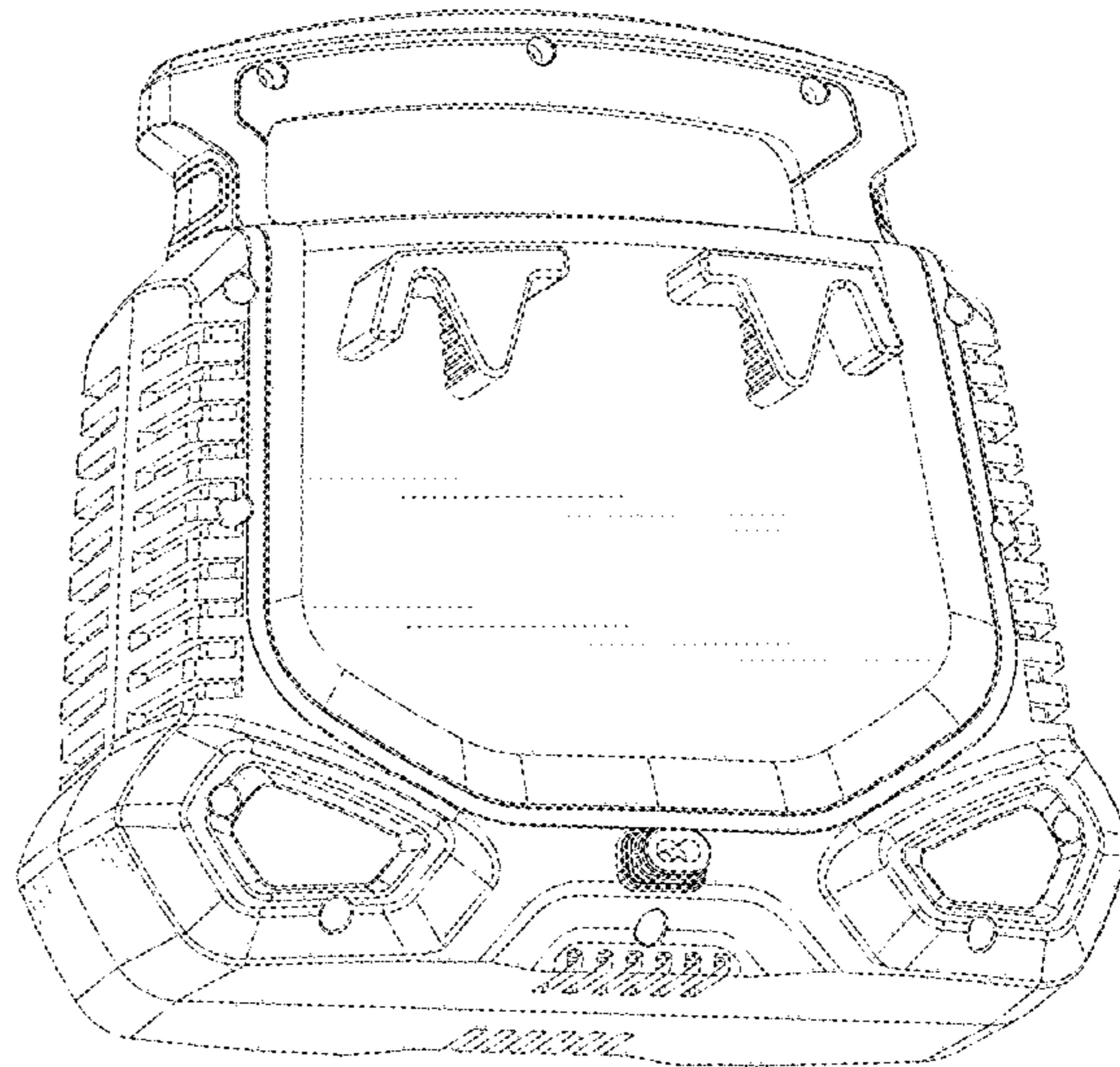
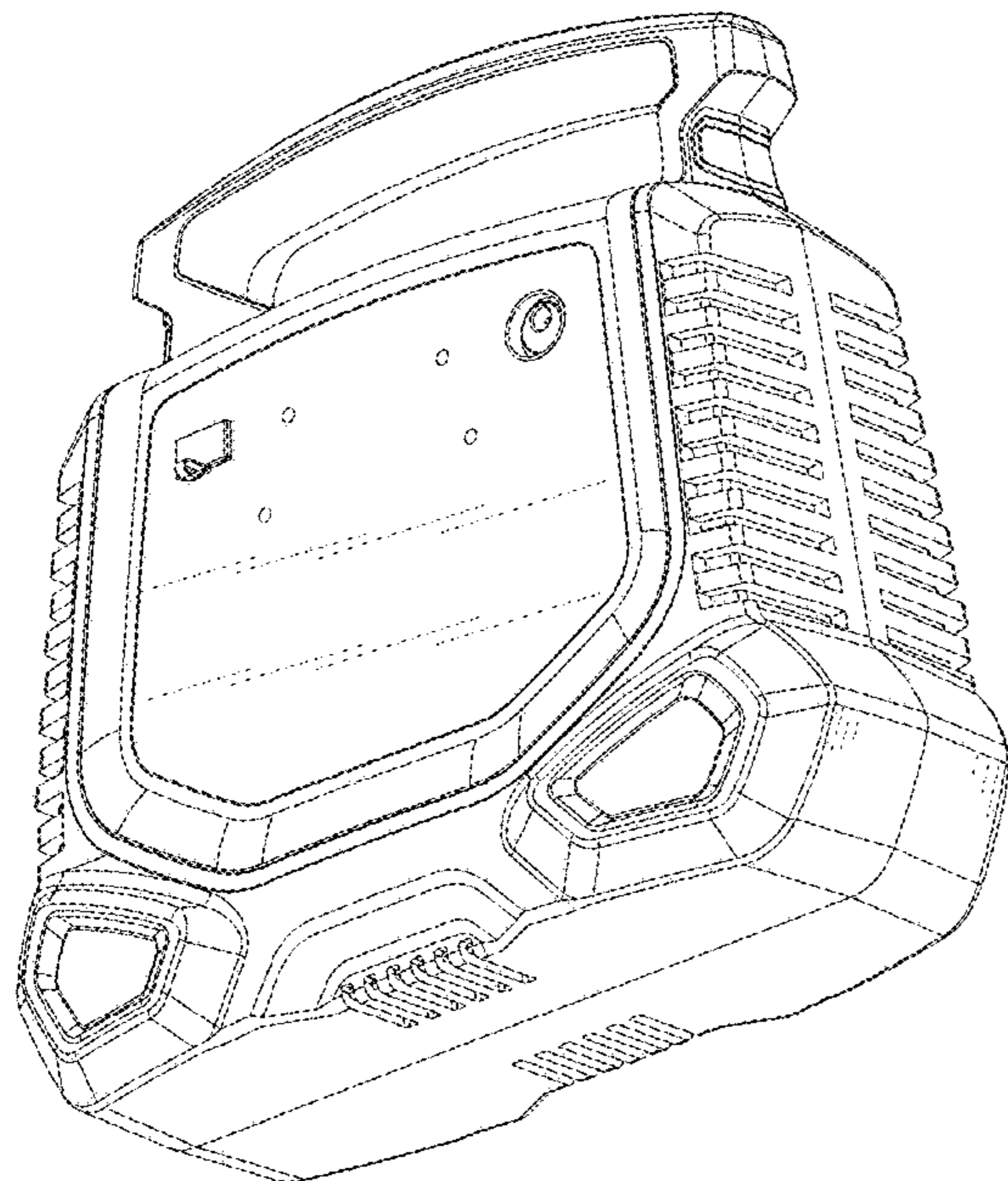
(57) **CLAIM**

The ornamental design for an emergency power supply, as shown.

DESCRIPTION

FIG. 1 is a front elevational view of an emergency power supply showing our new design; FIG. 2 is a rear elevational view thereof; FIG. 3 is a left side view thereof; FIG. 4 is a right side view thereof; FIG. 5 is a top plan view thereof; FIG. 6 is a bottom plan view thereof; FIG. 7 is a perspective view thereof; and, FIG. 8 is another perspective view thereof.

1 Claim, 5 Drawing Sheets



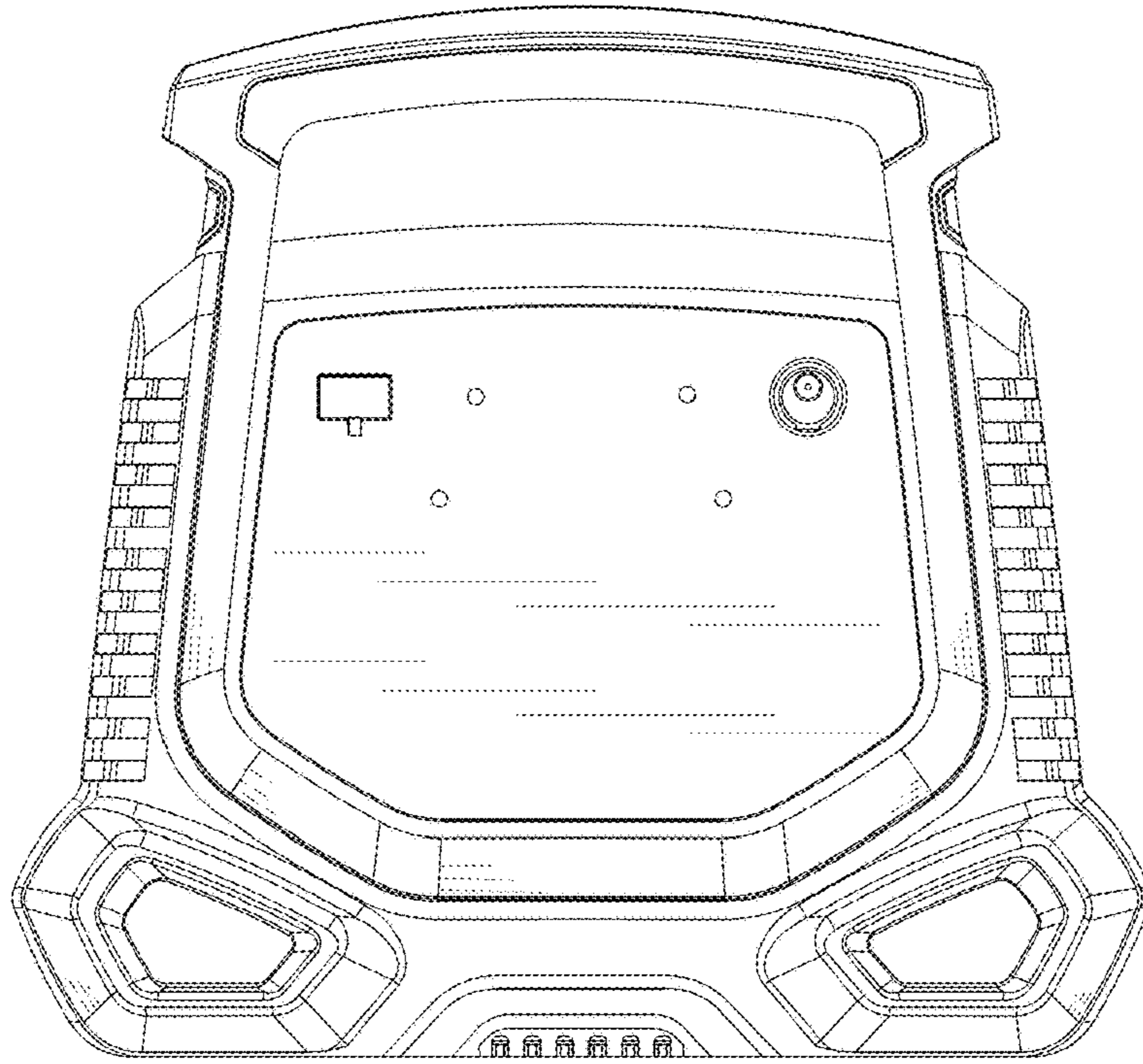


FIG. 1

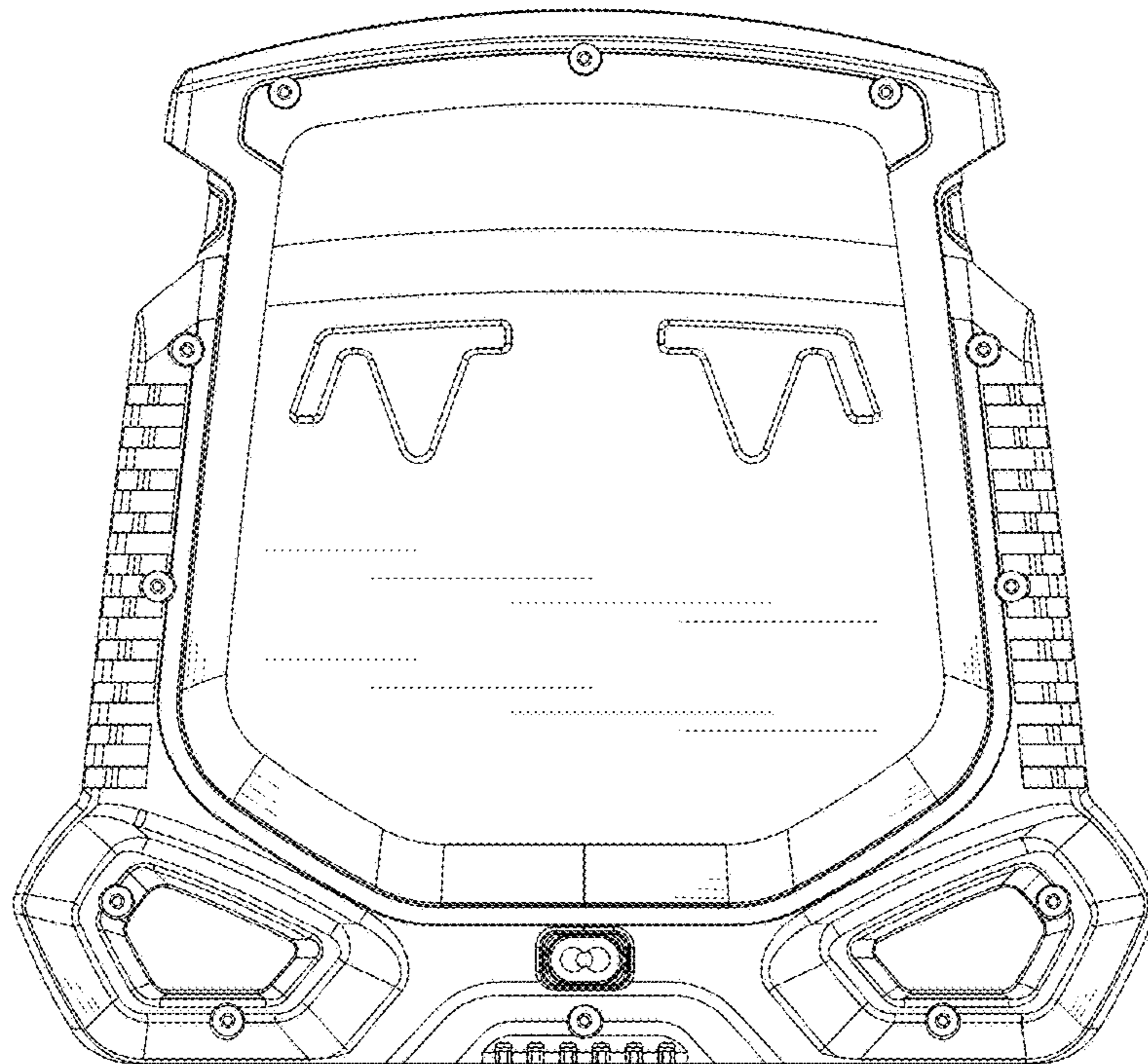


FIG. 2

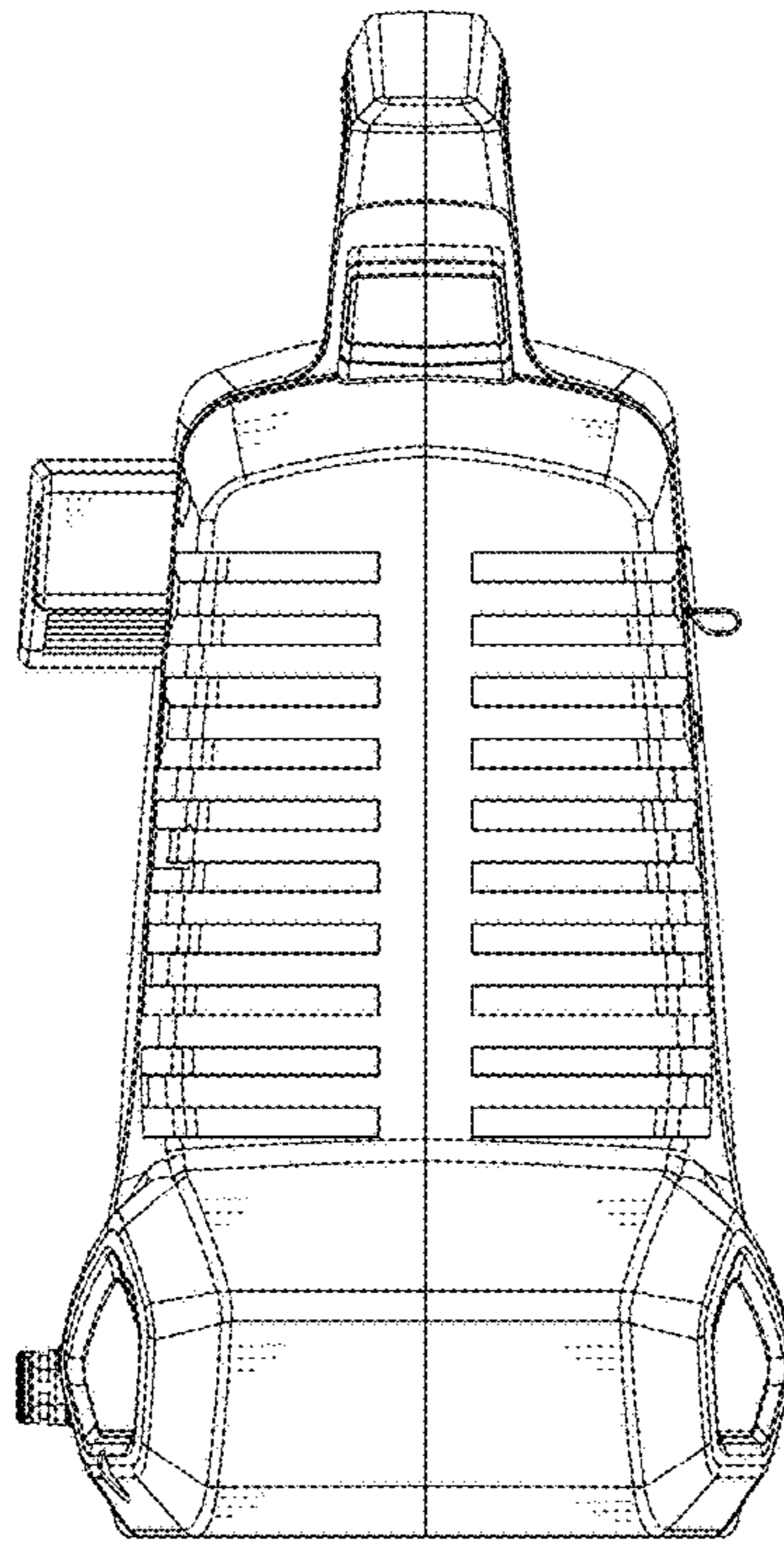


FIG. 3

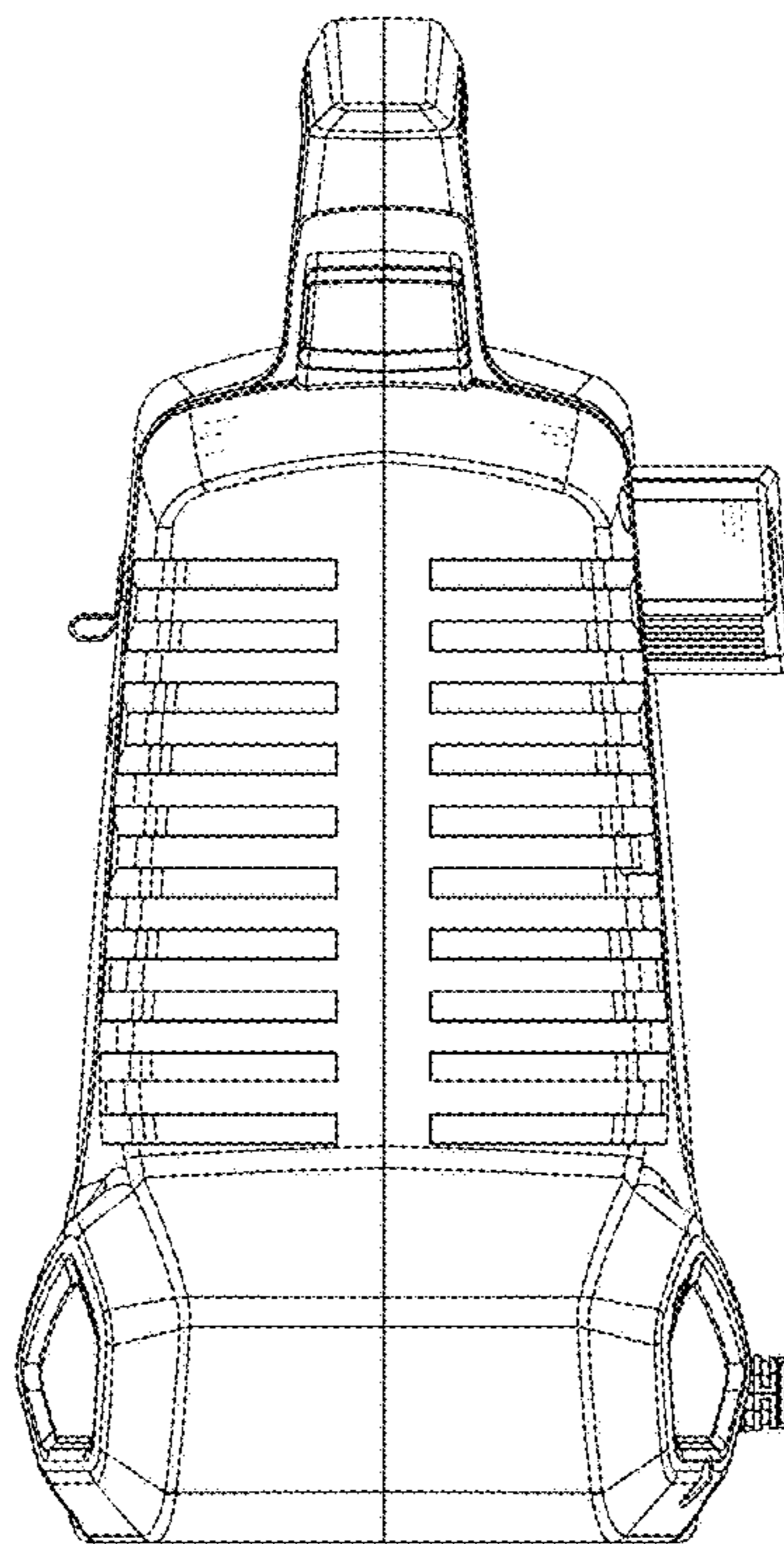


FIG. 4

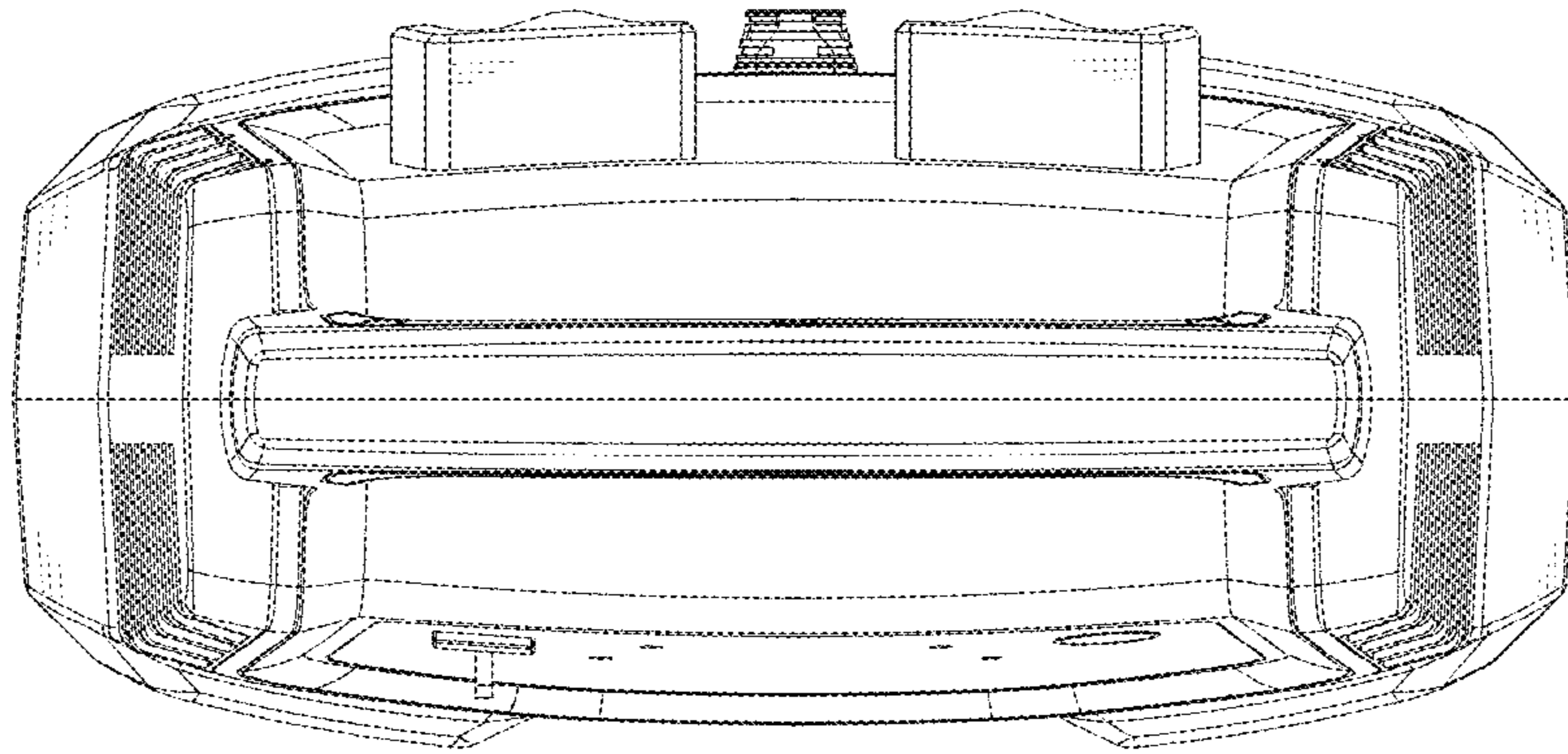


FIG. 5

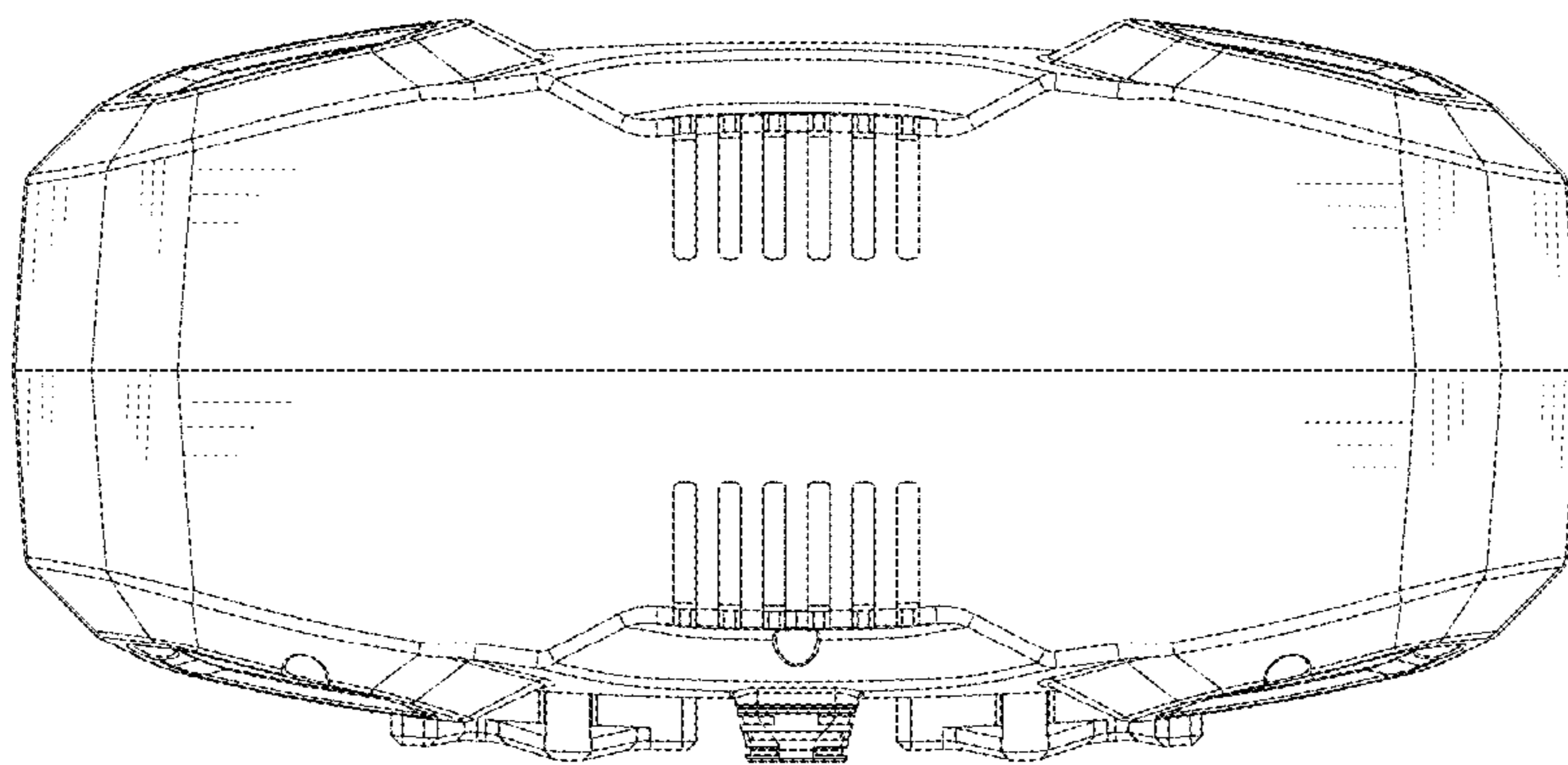


FIG. 6

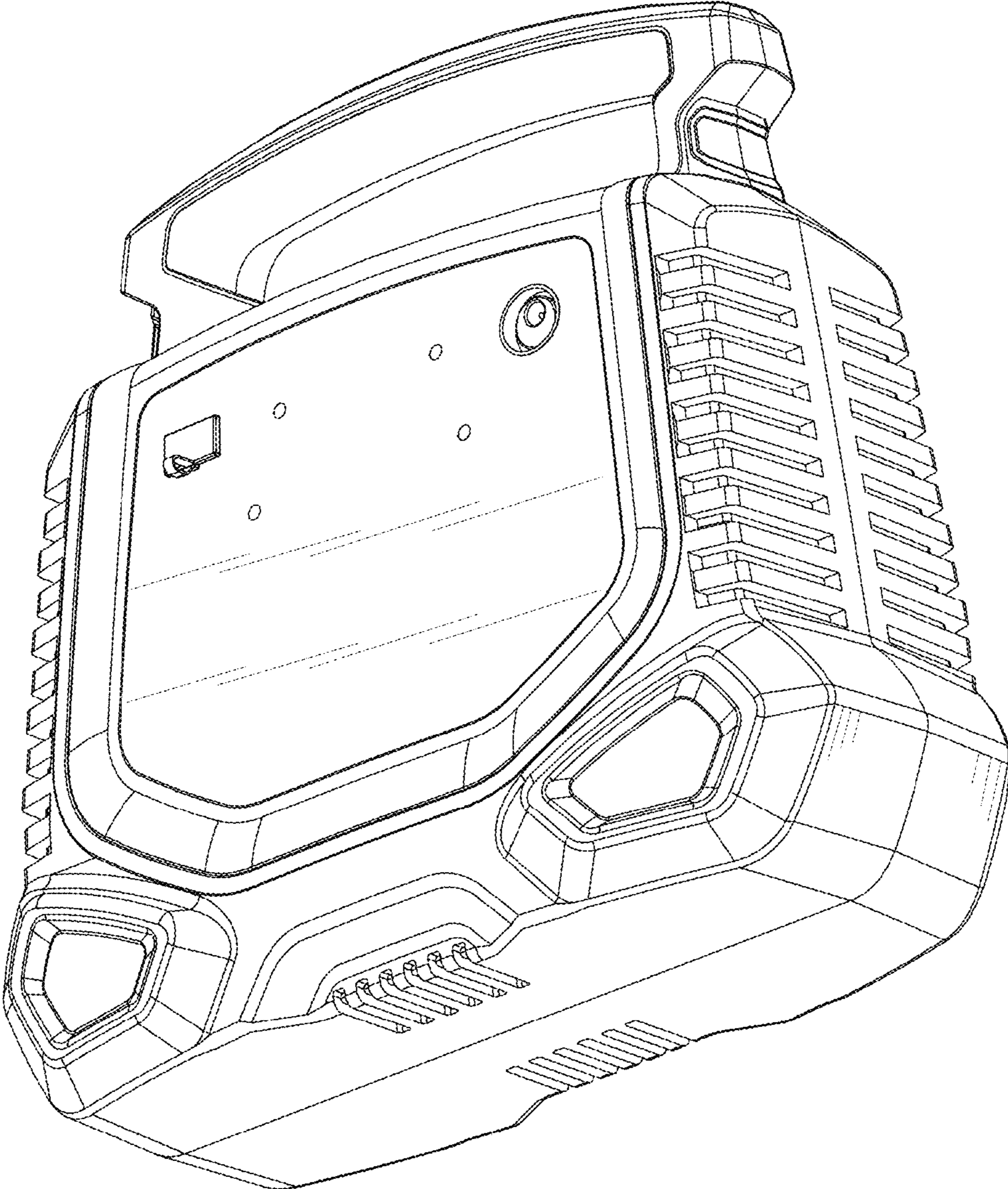


FIG. 7

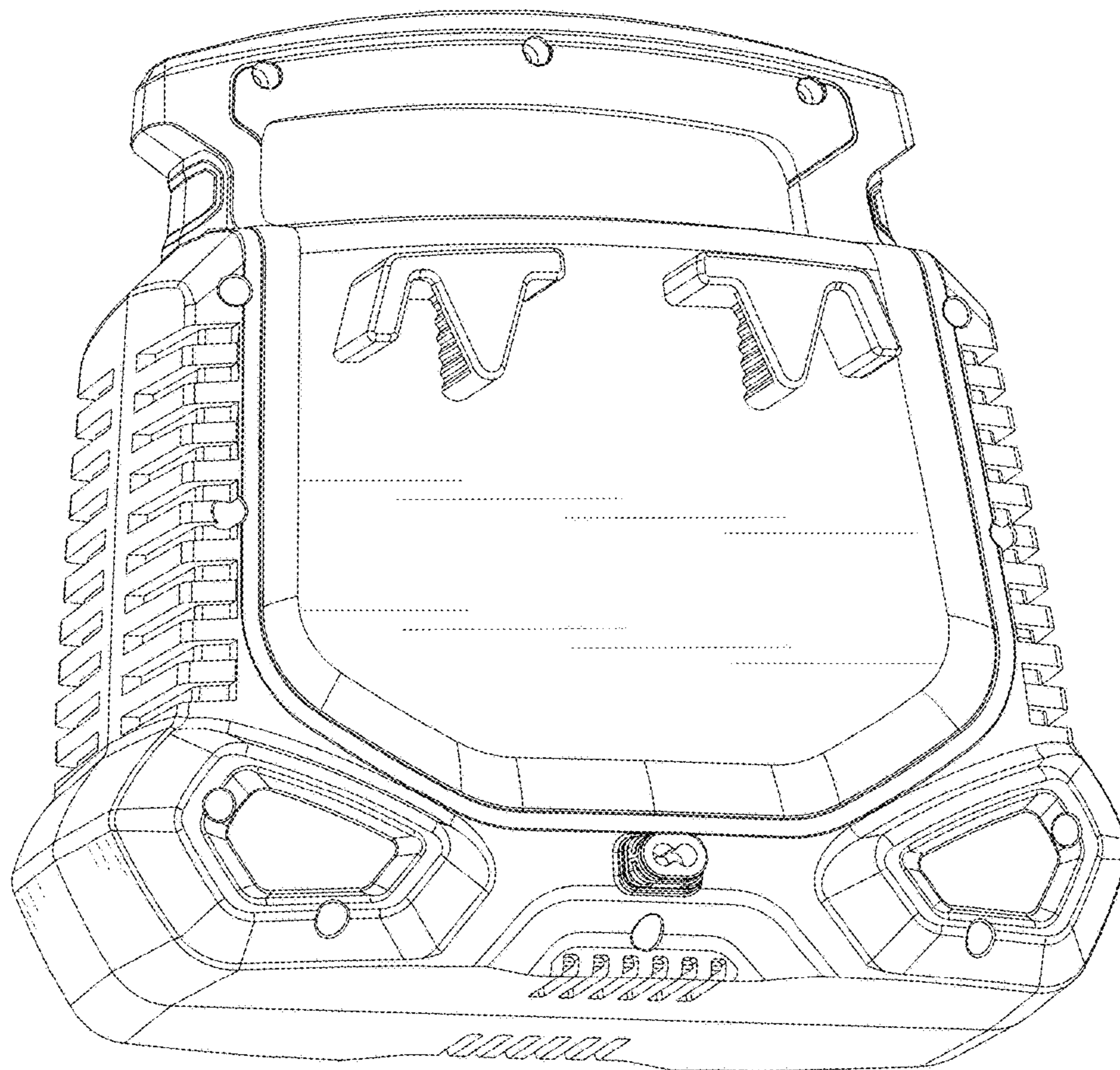


FIG. 8