



US00D821310S

(12) **United States Design Patent**
Krantz et al.

(10) **Patent No.:** **US D821,310 S**
(45) **Date of Patent:** **** Jun. 26, 2018**

(54) **ENERGY STORAGE AND POWER SUPPLY DEVICE**

D509,181 S 9/2005 Nellenbach et al.
D545,268 S 6/2007 Shiu
D561,687 S 2/2008 Sween et al.
D567,171 S 4/2008 Yu et al.

(71) Applicant: **Goal Zero LLC**, Bluffdale, UT (US)

(Continued)

(72) Inventors: **Norman L. Krantz**, Draper, UT (US);
Henry J. Howell, Herriman, UT (US);
Fred Lillywhite, Cottonwood Heights,
UT (US)

FOREIGN PATENT DOCUMENTS

WO WO-2011/106431 A2 9/2011

(73) Assignee: **GOAL ZERO LLC**, Bluffdale, UT (US)

OTHER PUBLICATIONS

U.S. Appl. No. 29/498,046, filed Jul. 30, 2014, Krantz et al.
U.S. Appl. No. 62/022,631, filed Jul. 9, 2014, Workman et al.

(**) Term: **15 Years**

Primary Examiner — Derrick Holland
Assistant Examiner — Jennifer O King

(21) Appl. No.: **29/555,265**

(74) *Attorney, Agent, or Firm* — Foley & Lardner LLP

(22) Filed: **Feb. 19, 2016**

Related U.S. Application Data

(63) Continuation-in-part of application No. 29/496,019,
filed on Jul. 8, 2014, now Pat. No. Des. 753,059.

(51) **LOC (11) Cl.** **13-02**

(52) **U.S. Cl.**
USPC **D13/110**

(58) **Field of Classification Search**
USPC D13/103, 104, 105, 106, 110, 118, 119,
D13/184, 199; 429/96, 98, 99, 100, 163,
429/176; 361/679.55, 679.56; D14/433,
D14/434
CPC .. H01M 2/1022; H01M 2/204; H01M 2/0202;
H01M 2/0434; H01M 2/0456; H01M
2/1005; H01M 2/1055; H01M 2/1066
See application file for complete search history.

(57) **CLAIM**

We claim the ornamental design for an energy storage and power supply device, as shown and described.

DESCRIPTION

FIG. 1 is a front perspective view of an energy storage and power supply device;
FIG. 2 is a front view thereof;
FIG. 3 is a rear view thereof;
FIG. 4 is a left side view thereof;
FIG. 5 is a right side view thereof;
FIG. 6 is a top view thereof; and,
FIG. 7 is a bottom view thereof.

The ornamental design which is claimed is shown in solid lines in the figures. The broken lines shown represent unclaimed subject matter and form no part of the claimed design.

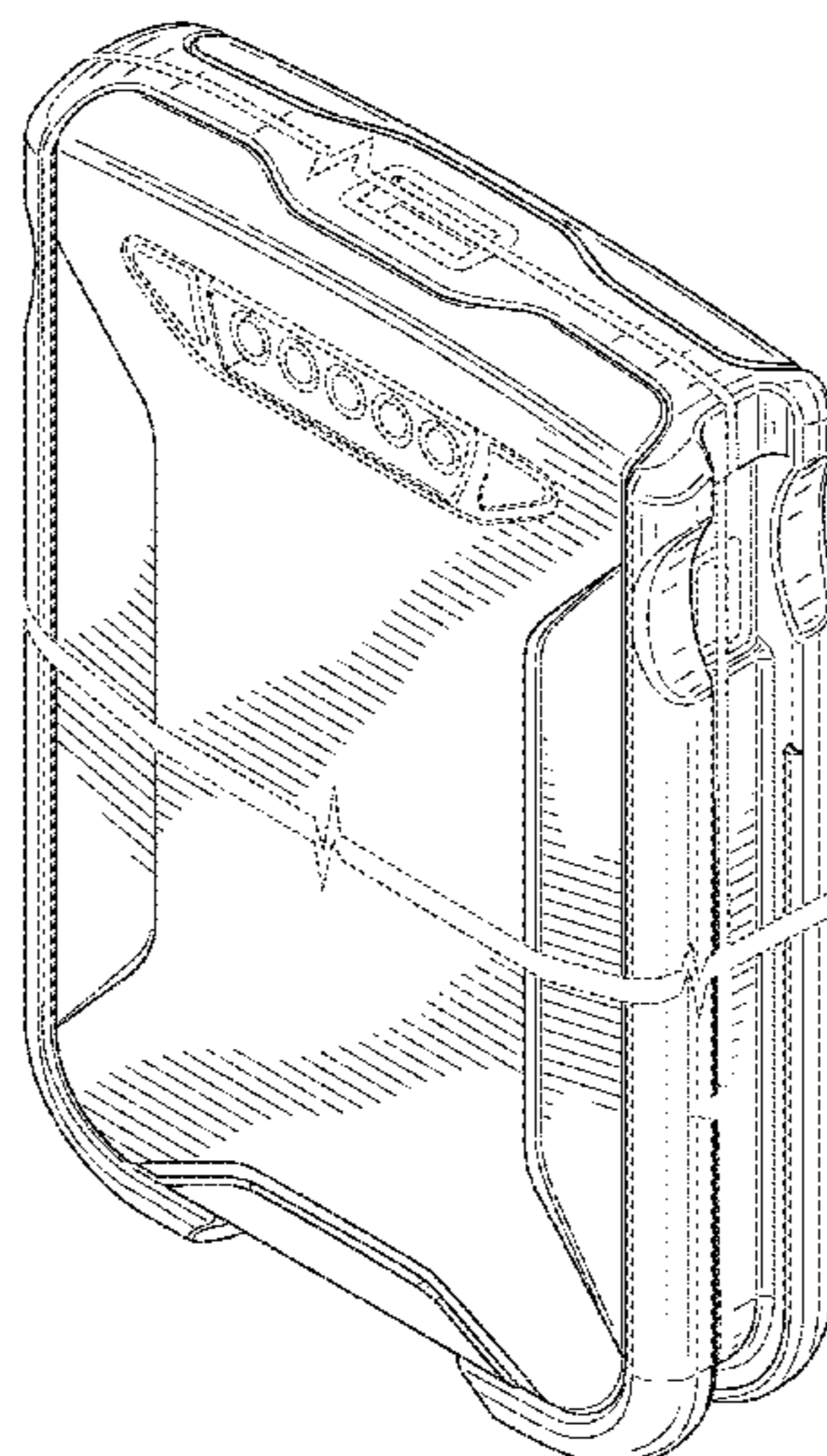
The energy storage and power supply device is shown with symbolic breaks in its length and its depth. The appearance of any portion of the article between the break lines forms no part of the claimed design.

(56) **References Cited**

U.S. PATENT DOCUMENTS

D246,240 S * 11/1977 Hansen D13/103
D367,257 S 2/1996 Buelow et al.
D454,837 S 3/2002 Ibuki et al.
D463,363 S 9/2002 Veino et al.

1 Claim, 5 Drawing Sheets



(56)

References Cited

U.S. PATENT DOCUMENTS

D580,354 S *	11/2008	Dunbar	D13/108	D696,188 S	12/2013	Loeck et al.	
D581,867 S	12/2008	Crawford et al.		D699,181 S	2/2014	Hung et al.	
D595,647 S *	7/2009	Shum	D13/110	D701,490 S	3/2014	Inskeep	
D601,959 S	10/2009	Lee et al.		D701,832 S	4/2014	Drew et al.	
D603,334 S	11/2009	Suzuki		D704,638 S	5/2014	Inskeep	
D628,535 S	12/2010	Cheng		D705,724 S	5/2014	Yu	
D629,746 S	12/2010	Workman et al.		D711,318 S	8/2014	Xinfang	
8,080,972 B2	12/2011	Smith		D716,304 S	10/2014	Orthey	
D651,564 S	1/2012	Workman et al.		9,024,570 B2	5/2015	Workman et al.	
D652,379 S *	1/2012	Vandiver	D13/108	D758,962 S *	6/2016	Lebel	D13/103
D654,856 S	2/2012	Inskeep		9,385,351 B2	7/2016	Workman et al.	
D664,499 S	7/2012	Workman et al.		D764,404 S *	8/2016	Lau	D13/103
D670,244 S	11/2012	Workman et al.		D766,826 S *	9/2016	Xu	D13/110
D674,342 S	1/2013	Ho		D783,525 S *	4/2017	Gupta	D13/108
D674,748 S *	1/2013	Ferber	D13/108	D791,070 S *	7/2017	Son	D13/103
D682,196 S *	5/2013	Leung	D13/103	2012/0281392 A1	11/2012	Workman et al.	
D693,297 S	11/2013	Inskeep		2013/0043826 A1	2/2013	Workman et al.	
D693,298 S *	11/2013	Inskeep	D13/110	2013/0181661 A1	7/2013	Workman et al.	
D695,680 S	12/2013	Workman et al.		2013/0183562 A1	7/2013	Workman et al.	
				2014/0239717 A1	8/2014	Prommel et al.	
				2016/0013673 A1 *	1/2016	Workman	H01R 13/5202 320/114

* cited by examiner

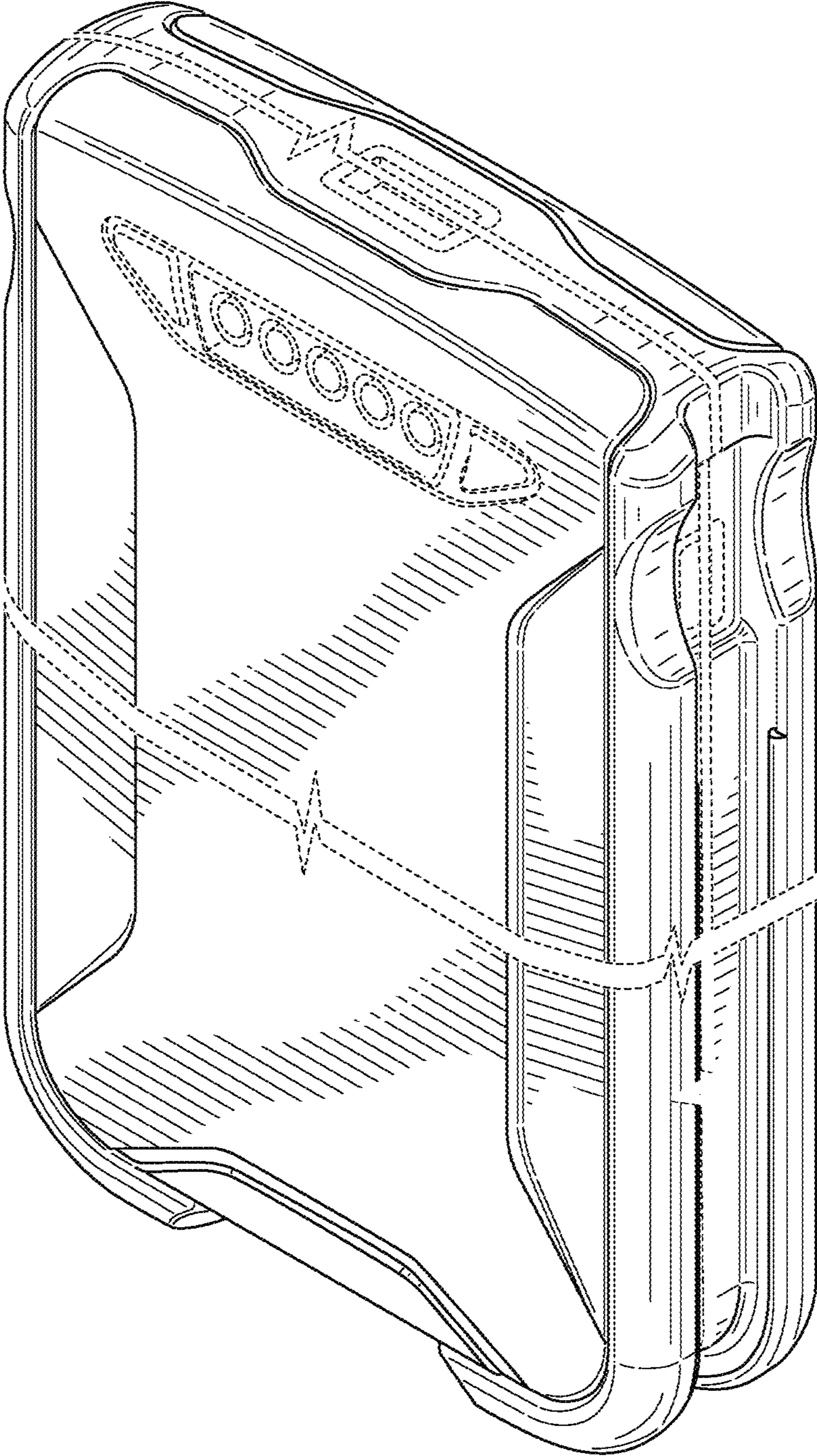


FIG. 1

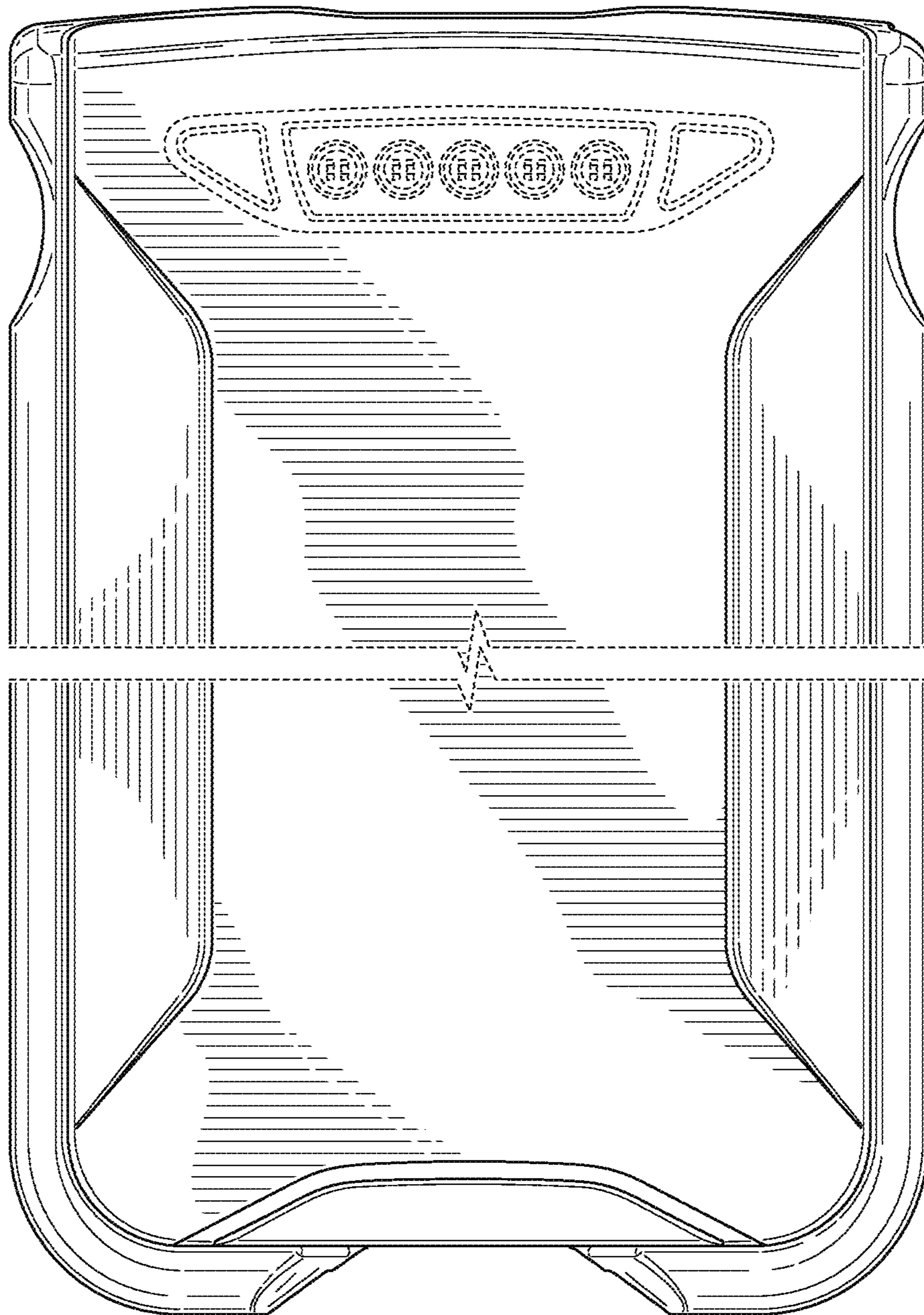


FIG. 2

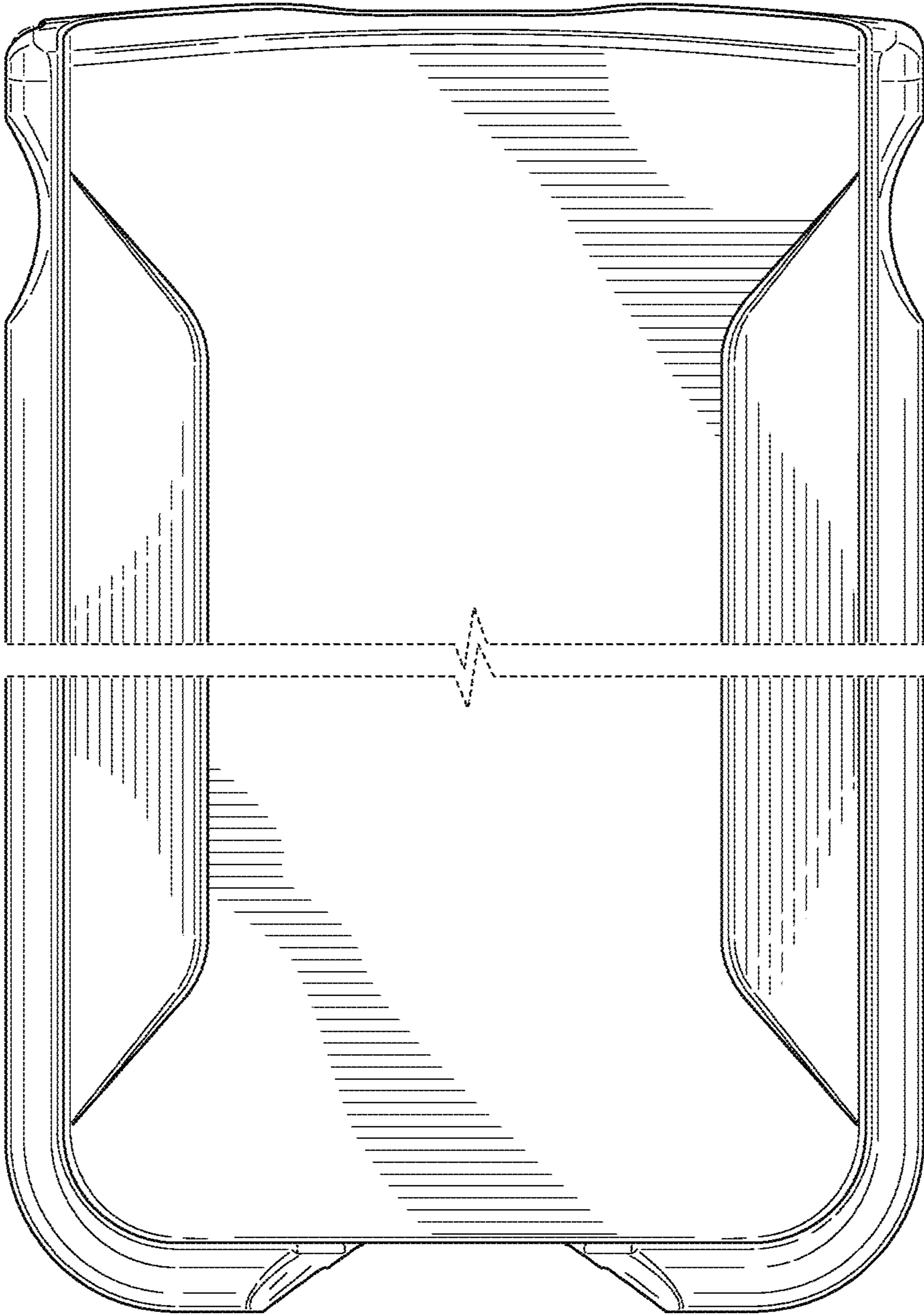


FIG. 3

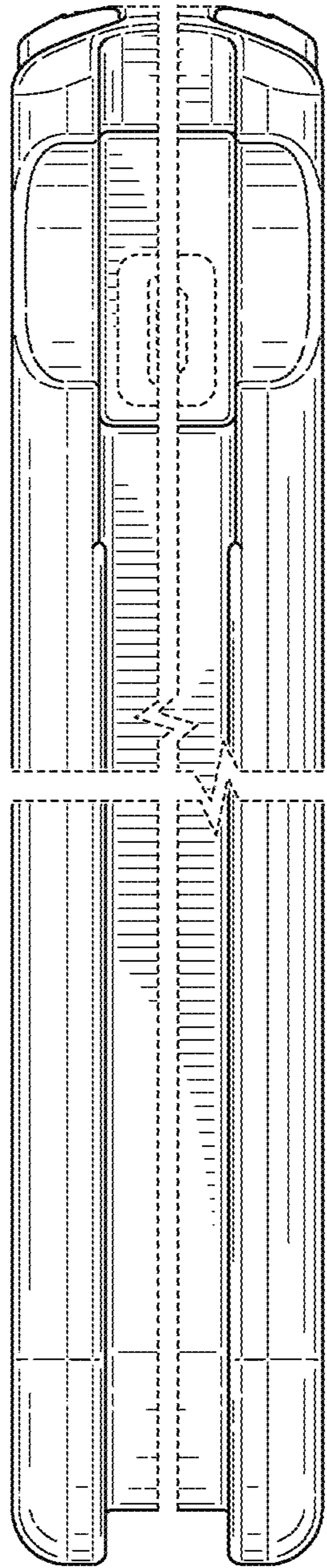


FIG. 4

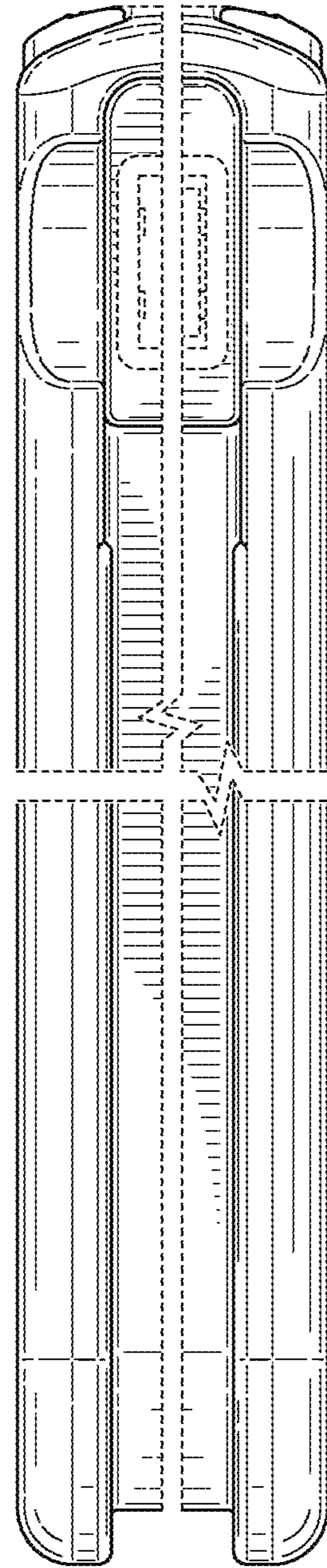


FIG. 5

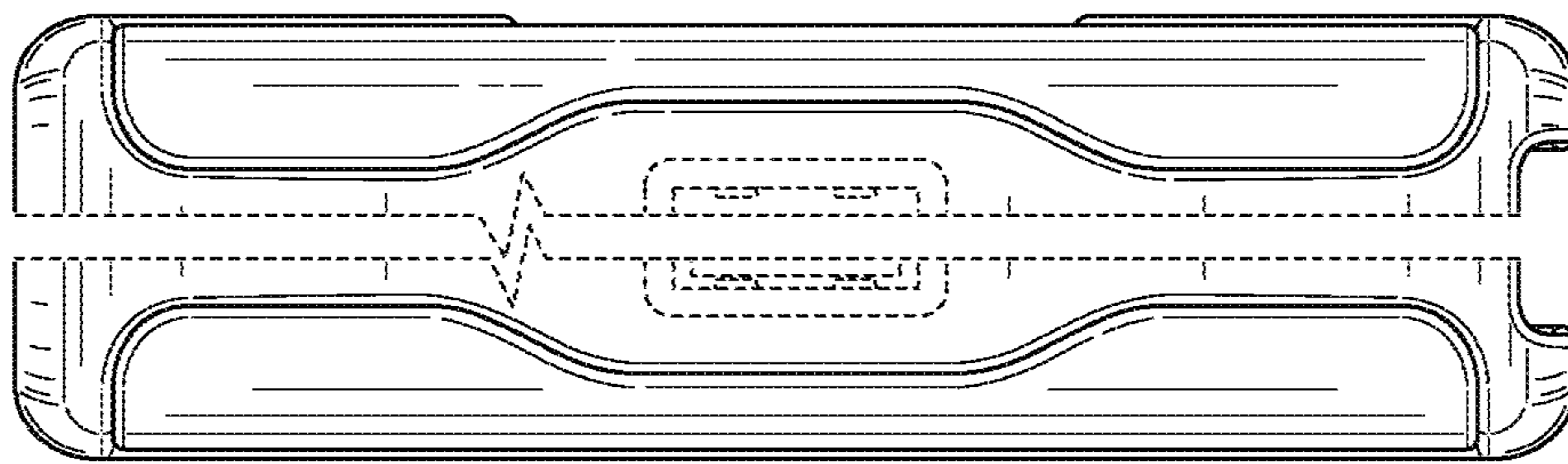


FIG. 6

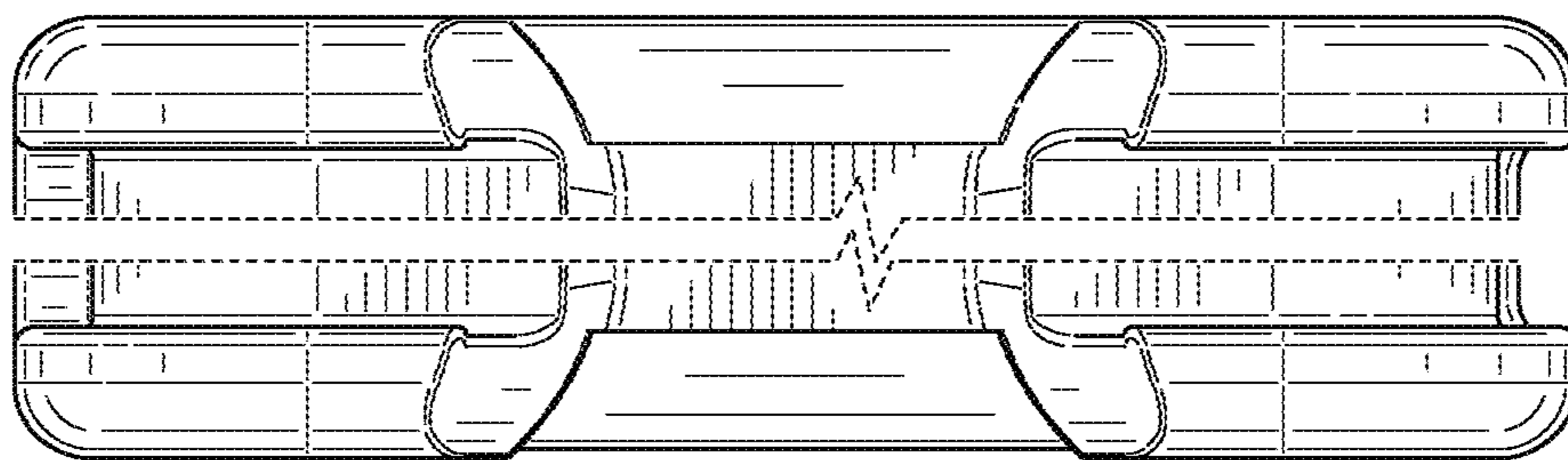


FIG. 7