



US00D821309S

(12) **United States Design Patent**
Barnard

(10) **Patent No.:** **US D821,309 S**

(45) **Date of Patent:** **** Jun. 26, 2018**

(54) **ELECTRONIC DEVICE POWER BANK**

(71) Applicant: **Brandon Barnard**, Evansville, IN (US)

(72) Inventor: **Brandon Barnard**, Evansville, IN (US)

(**) Term: **15 Years**

(21) Appl. No.: **29/575,941**

(22) Filed: **Aug. 30, 2016**

(51) **LOC (11) Cl.** **13-02**

(52) **U.S. Cl.**
USPC **D13/108**

(58) **Field of Classification Search**
USPC D13/107-110, 118-119, 184, 102-106,
D13/199; D14/251, 253, 432, 434, 356,
D14/480.1, 480.3, 480.4, 408.7
CPC Y02E 60/12; Y02T 90/14; Y02T 90/122;
Y02T 90/128; Y02T 90/163; H02J 7/025;
H02J 7/0042; H02J 7/0044; H02J 7/0045;
H02J 7/0003; H01F 38/14; H01R
13/6675; H01M 2/1022; H01M 2/1055;
H01M 10/44; H01M 10/46; H01M
10/425; B60L 11/182
See application file for complete search history.

(56) **References Cited**

U.S. PATENT DOCUMENTS

D631,053 S * 1/2011 Bailey D10/70
D638,001 S * 5/2011 Nakhjiri D14/242
D643,847 S * 8/2011 Boucard D14/480.7
D656,096 S * 3/2012 Sasada D13/108

D662,637 S * 6/2012 Lee D26/62
D669,027 S * 10/2012 Kumpula D13/108
D673,110 S * 12/2012 Sasada D13/108
D685,808 S * 7/2013 Billington D14/480.6
D686,987 S * 7/2013 Vanstone D13/108
D718,773 S * 12/2014 Erickson D14/480.1
D719,171 S * 12/2014 Erickson D14/480.1
D737,760 S * 9/2015 Kyriakoulis D13/108
D749,600 S * 2/2016 Emami D14/480.6

* cited by examiner

Primary Examiner — Rosemary K Tarcza

Assistant Examiner — Alison M Ofstun

(74) *Attorney, Agent, or Firm* — Gary K. Price

(57) **CLAIM**

The ornamental design for an electronic device power bank, as shown and described.

DESCRIPTION

FIG. 1 is a bottom perspective view of an electronic device power bank, showing my new design;
FIG. 2 is a top right perspective view thereof;
FIG. 3 is a front view thereof;
FIG. 4 is a top left perspective view thereof;
FIG. 5 is a rear view thereof;
FIG. 6 is a right side view thereof;
FIG. 7 is a left side view thereof;
FIG. 8 is a bottom view thereof; and,
FIG. 9 is a top view thereof.

The broken lines present in the Figs. are included for the purpose of illustrating portions of the article which form no part of the claimed design.

1 Claim, 9 Drawing Sheets

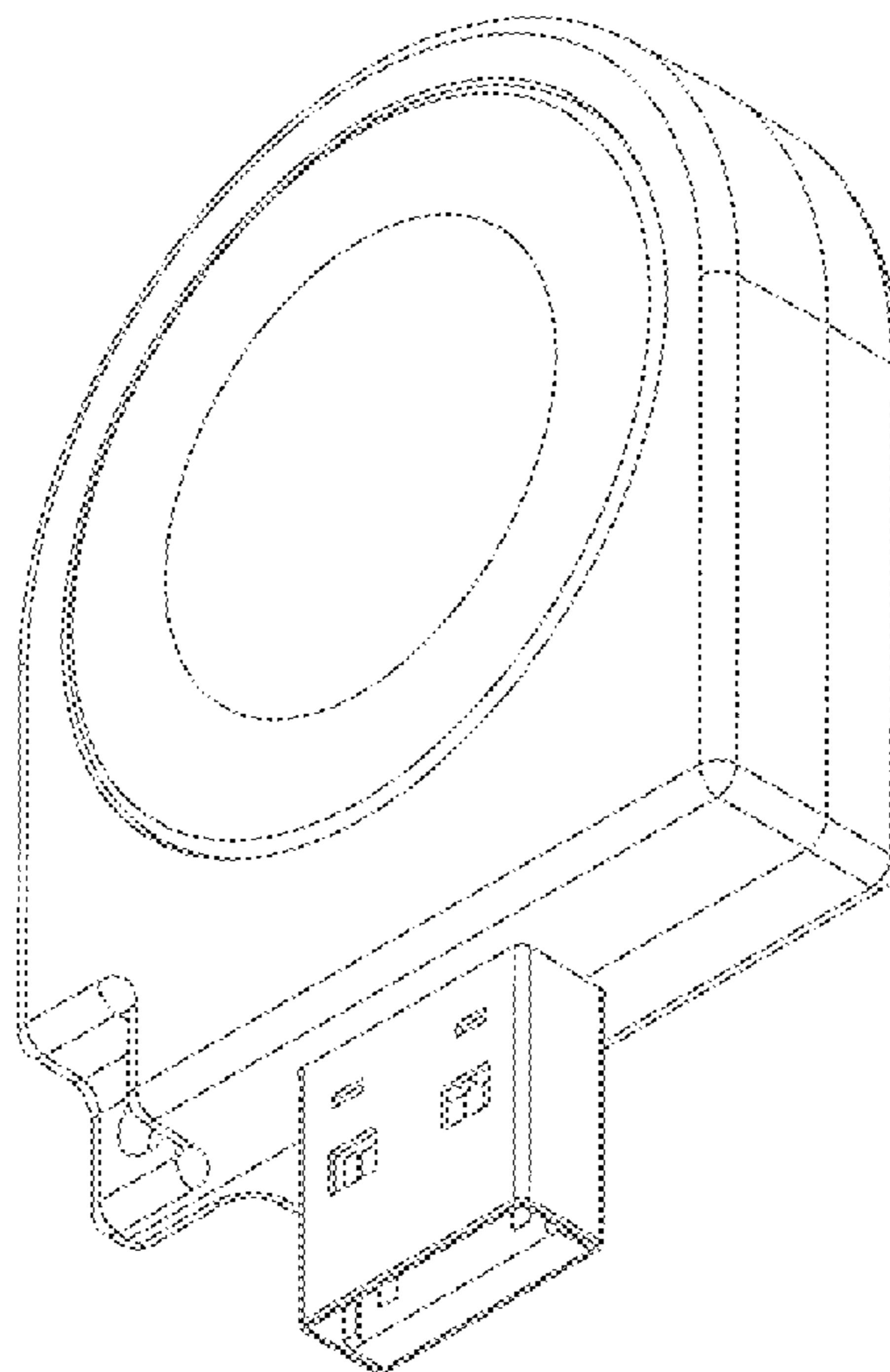


FIG. 1

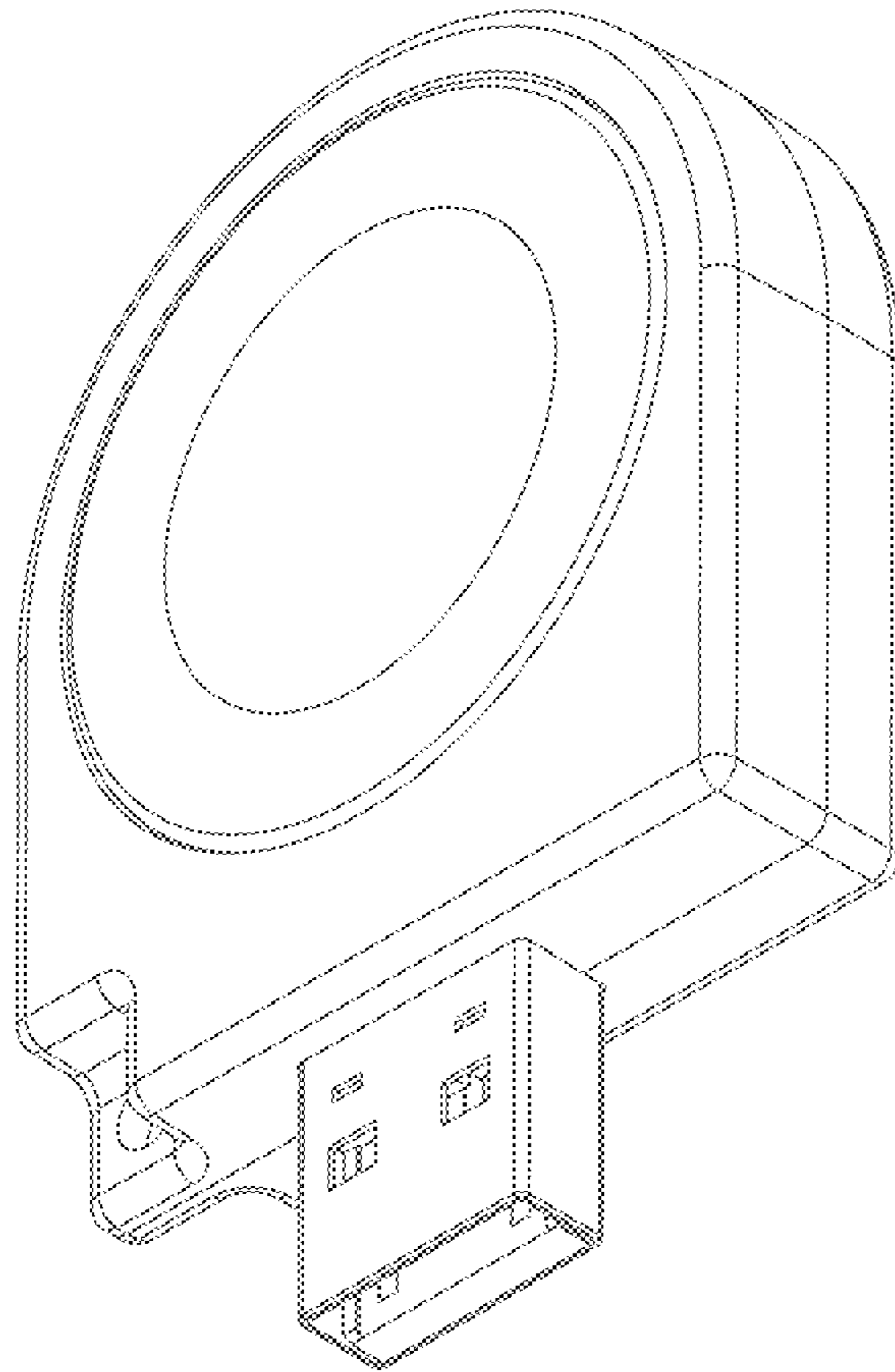


FIG. 2

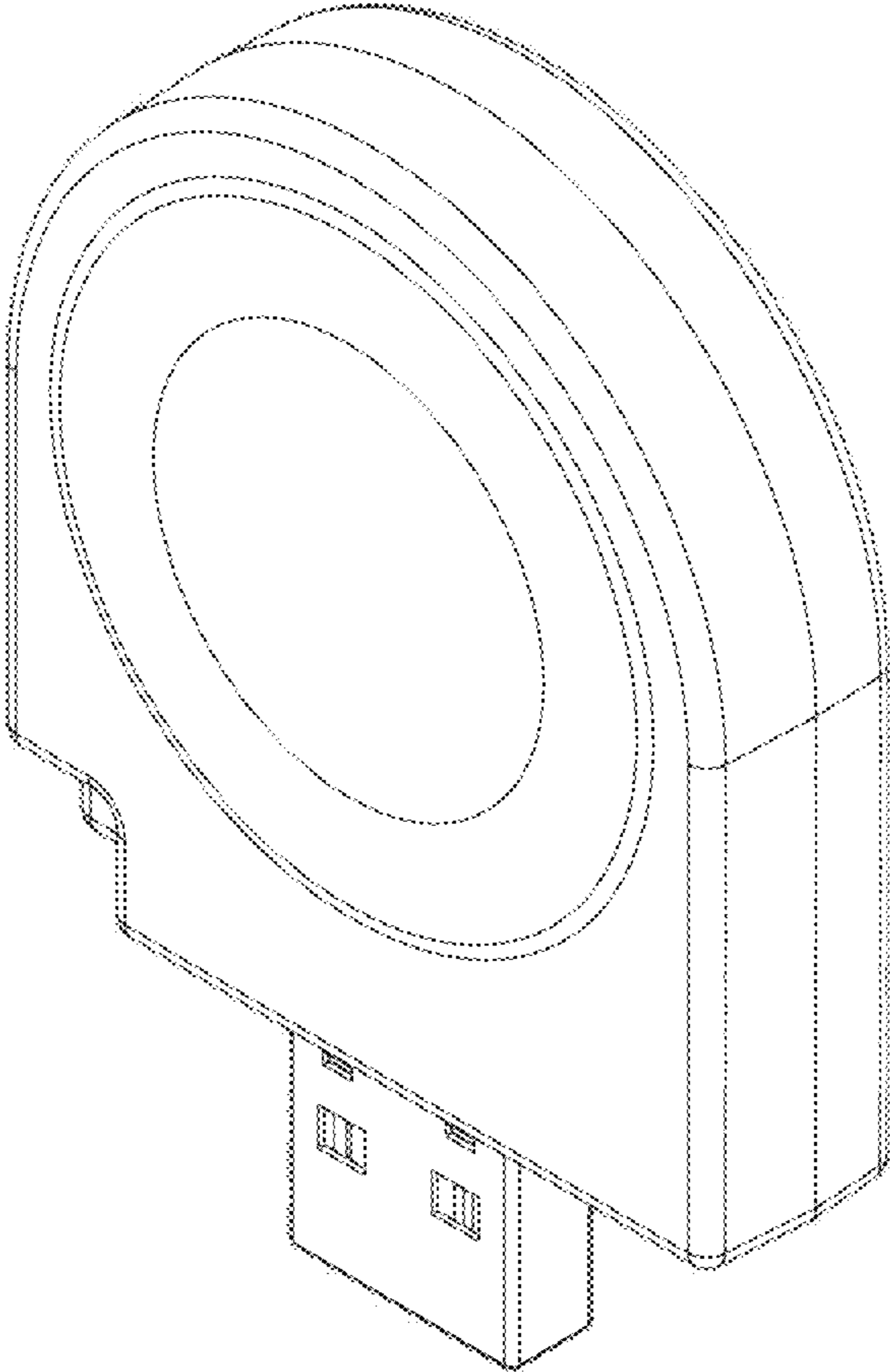


FIG. 3

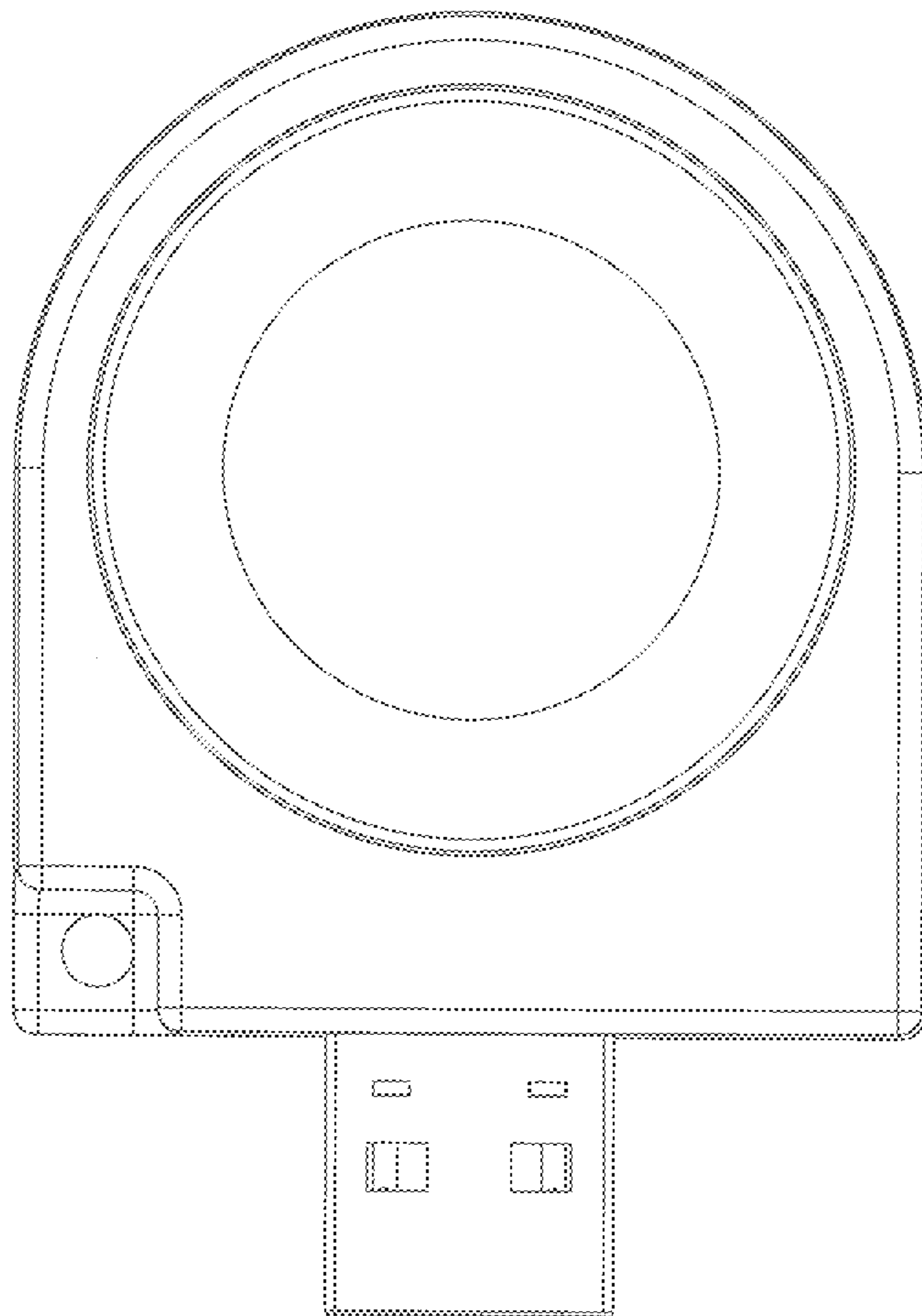


FIG. 4

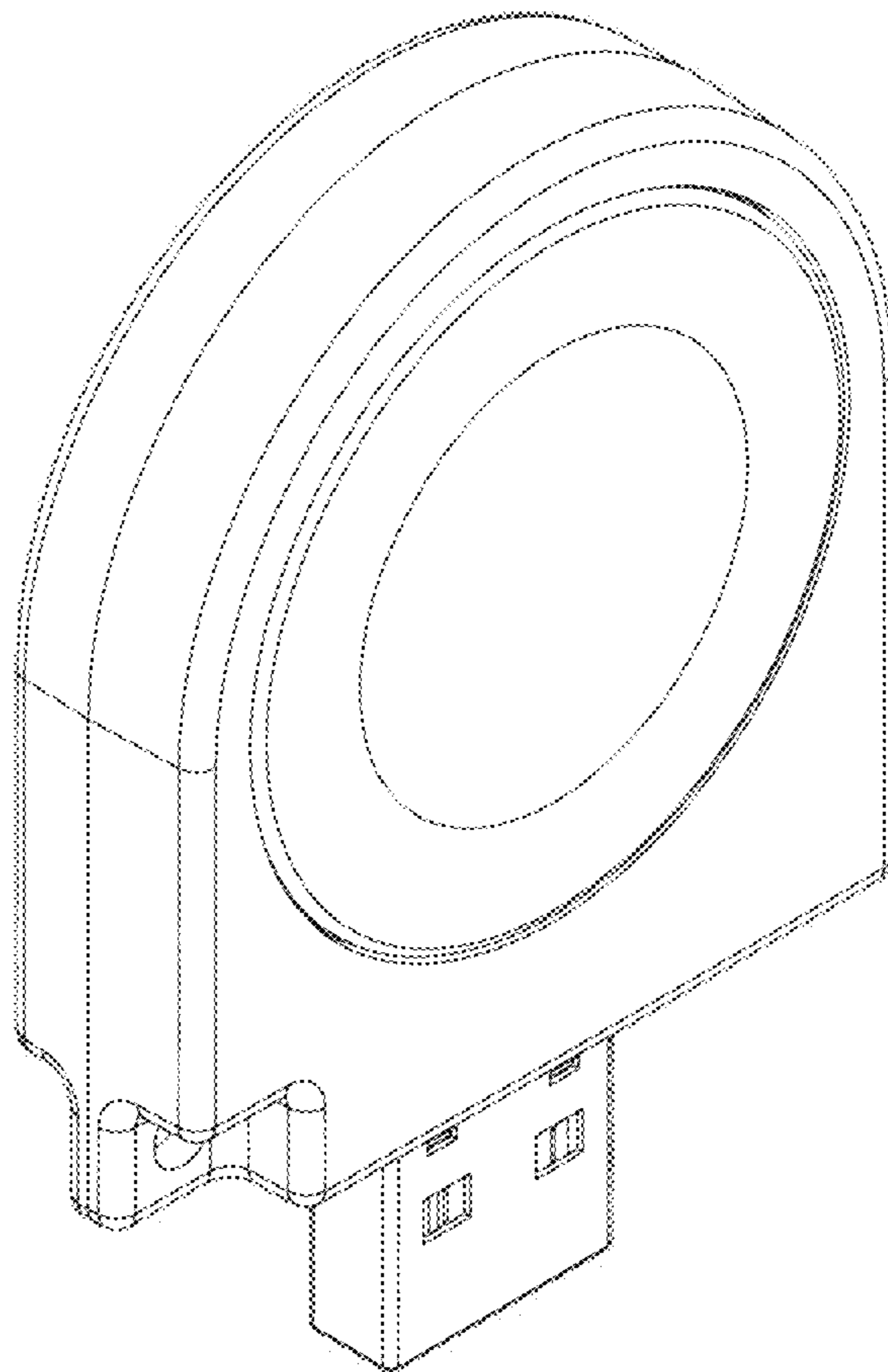


FIG. 5

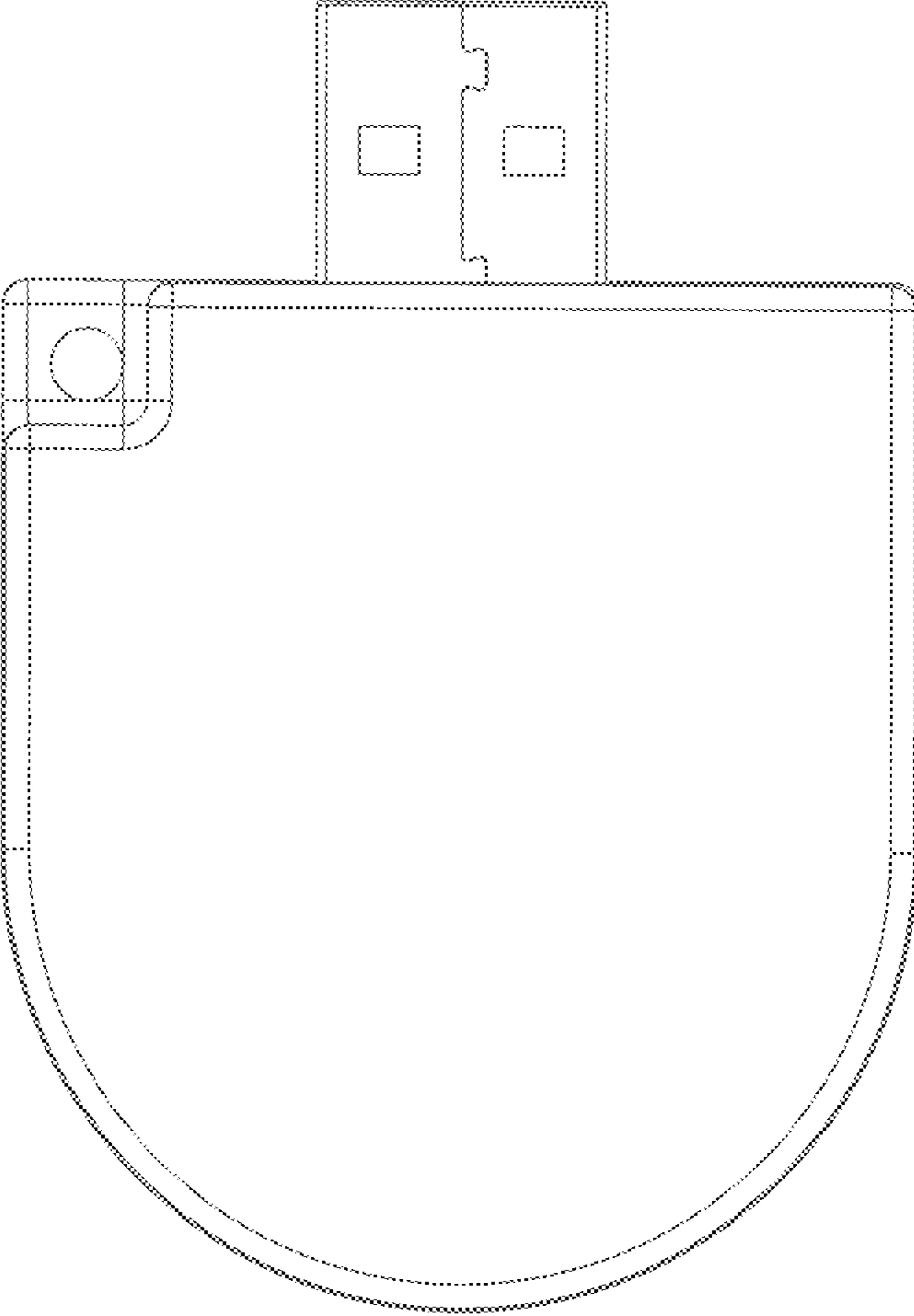


FIG. 6

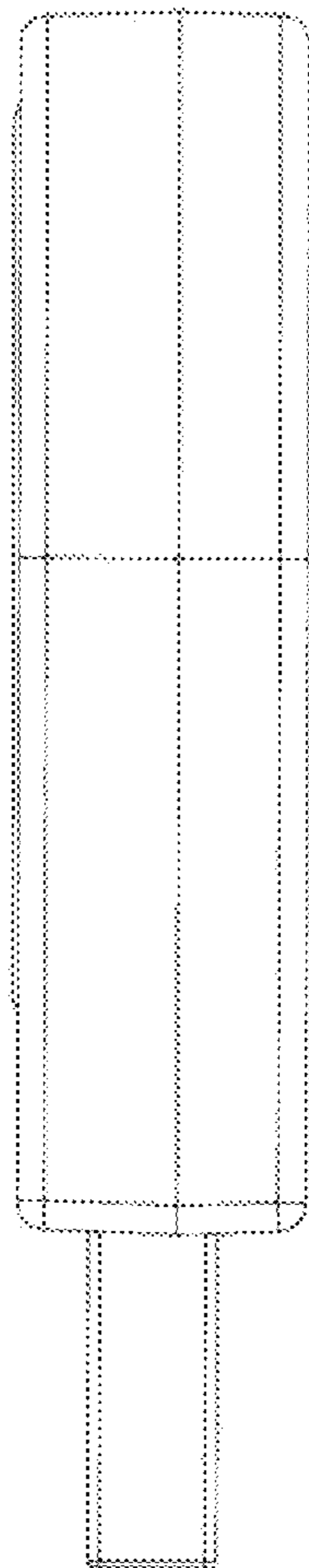


FIG. 7

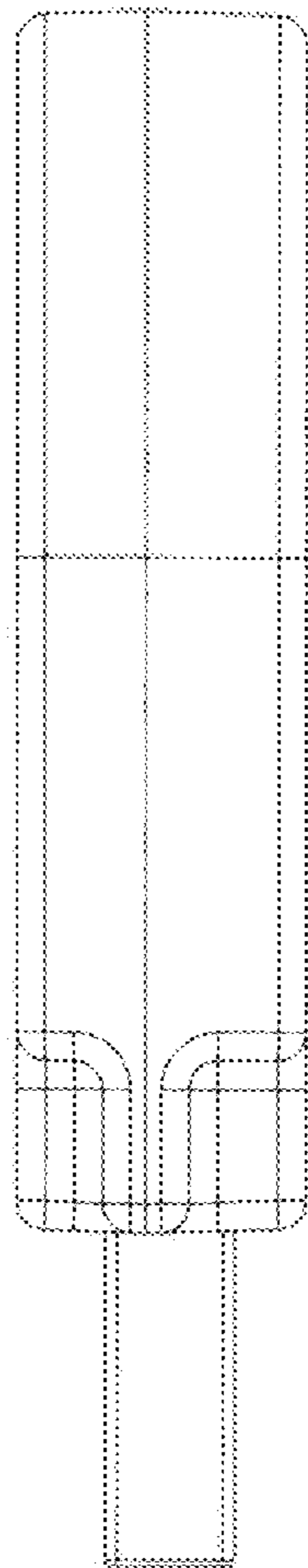


FIG. 8

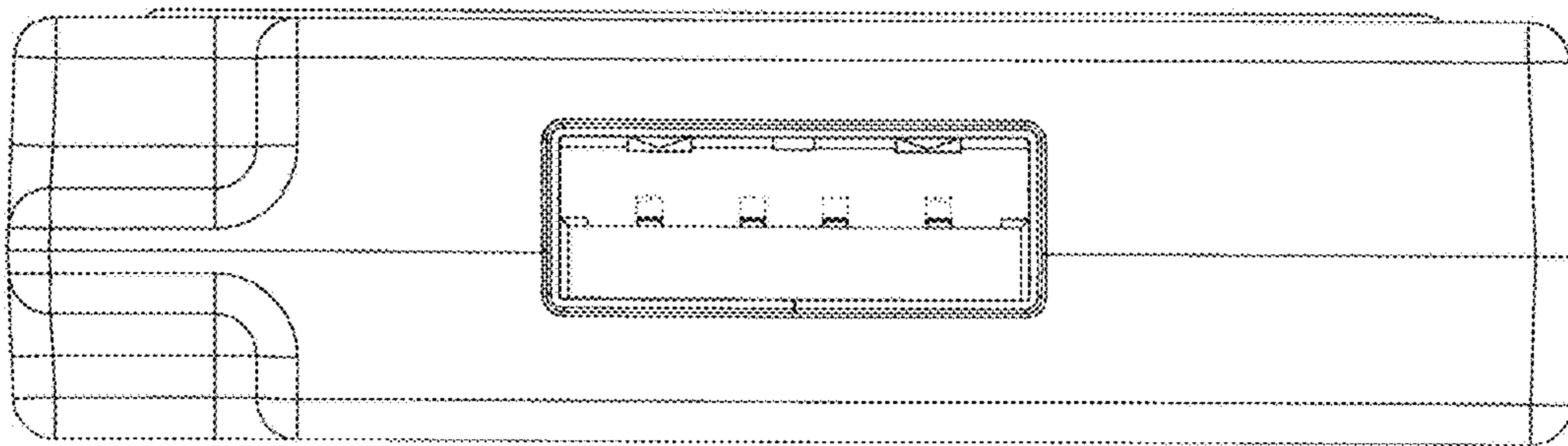


FIG. 9

