

US00D821308S

(12) **United States Design Patent** (10) **Patent No.:** **US D821,308 S**
Chia (45) **Date of Patent:** **** Jun. 26, 2018**

(54) **BATTERY CHARGER**
(71) Applicant: **Ascent Star Limited**, North Point (HK)
(72) Inventor: **Jenlin Chia**, Subiaco (AU)
(73) Assignee: **ASCENT STAR LIMITED**, North Point (HK)
(**) Term: **15 Years**
(21) Appl. No.: **29/554,971**
(22) Filed: **Feb. 17, 2016**
(51) **LOC (11) Cl.** **13-02**
(52) **U.S. Cl.**
USPC **D13/108**
(58) **Field of Classification Search**
USPC D13/107-110, 184, 102-103, 118-119, D13/104-106, 199; D14/251, 253, 432, D14/434
CPC Y02E 60/10; Y02E 60/12; Y02E 60/122; Y02E 60/124; H02J 7/00; H02J 7/0003; H02J 7/0011; H02J 7/013; H02J 7/0057; H02J 7/0054; H02J 7/0055; H02J 7/025; H02J 7/0042; H02J 7/0044; H02J 7/0045; H02J 2007/0062; H01M 2/02; H01M 2/022; H01M 2/0202; H01M 2/0207; H01M 2/0212; H01M 2/1061; H01M 2/1022; H01M 2/1055; H01M 2/1066; H01M 2/105; H01M 2/20; H01M 2/204; H01M 2/206; H01M 10/44; H01M 10/46; H01M 10/465; H01M 10/482
See application file for complete search history.

(56) **References Cited**
U.S. PATENT DOCUMENTS
D656,096 S * 3/2012 Sasada D13/108
D659,094 S * 5/2012 Brand D13/108
D667,788 S * 9/2012 Mai D13/110
D680,063 S * 4/2013 Sasada D13/103

D682,196 S * 5/2013 Leung D13/103
D682,197 S * 5/2013 Leung D13/103
D686,150 S * 7/2013 Lee D13/103
D686,152 S * 7/2013 Lee D13/103
D697,867 S * 1/2014 Weinstein D13/108
D716,224 S * 10/2014 Blumin D13/108
D721,646 S * 1/2015 Kim D13/103
D722,961 S * 2/2015 Lin D13/103
D727,257 S * 4/2015 Miller D13/103
D737,761 S * 9/2015 Zhuang D13/108
D742,311 S * 11/2015 Miller D13/103
D742,312 S * 11/2015 Gupta D13/103
D745,456 S * 12/2015 Fung D13/108
D764,404 S * 8/2016 Lau D13/103
D783,525 S * 4/2017 Gupta D13/108
D783,526 S * 4/2017 Warren D13/108
D797,663 S * 9/2017 Miller D13/107
2015/0123594 A1 * 5/2015 Nowak H02J 7/0054
320/107
2015/0123620 A1 * 5/2015 Nowak H02J 7/0036
320/137

(Continued)

Primary Examiner — Rosemary K Tarcza
(74) *Attorney, Agent, or Firm* — Fredrikson & Byron, P.A.

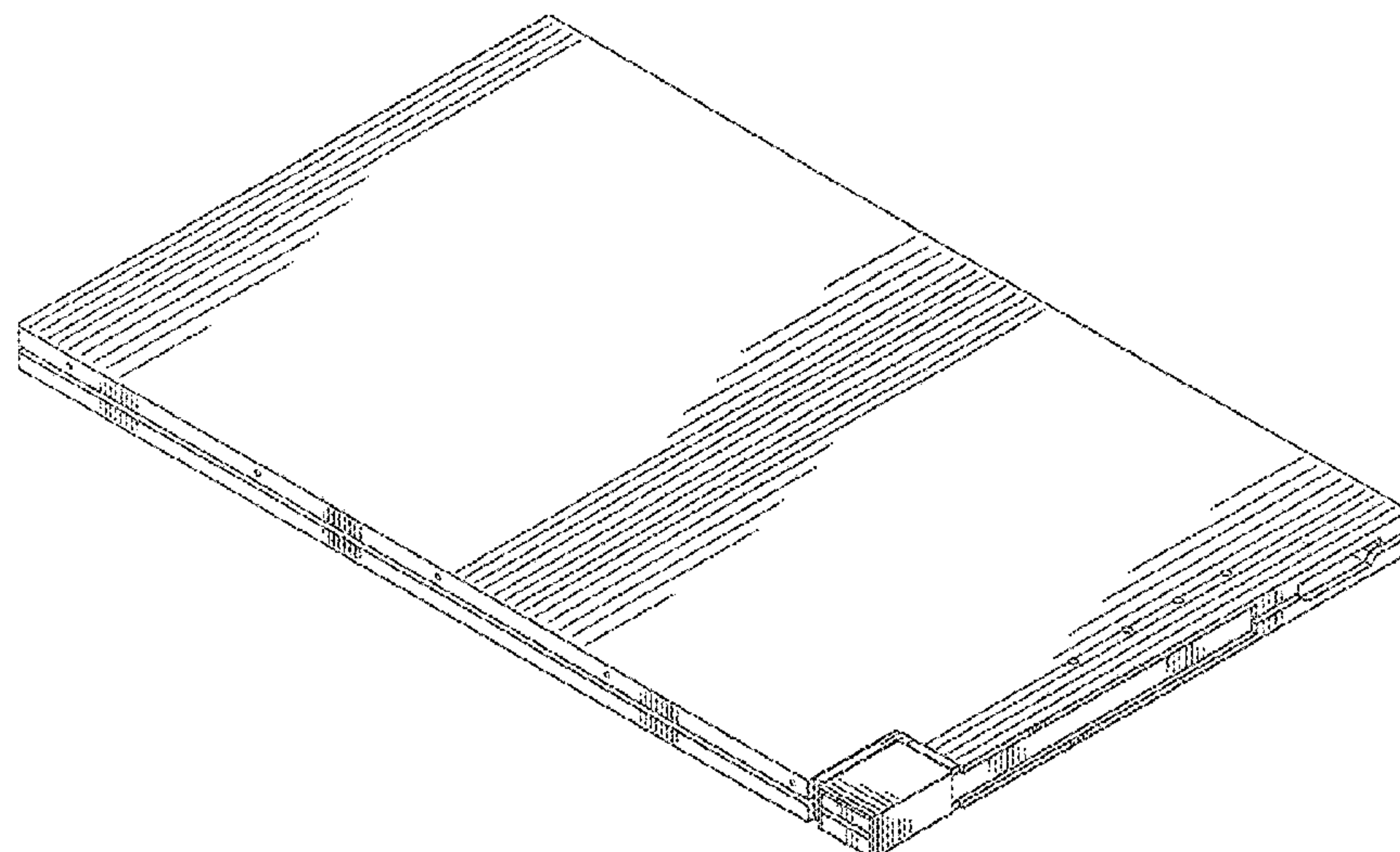
(57) **CLAIM**

I claim the ornamental design for a battery charger, as shown and described.

DESCRIPTION

FIG. 1 is a front perspective view of my new design for a battery charger shown in a closed configuration;
FIG. 2 is a front perspective view thereof shown in an open configuration;
FIG. 3 is a top plan view thereof;
FIG. 4 is a front elevation view thereof;
FIG. 5 is a back elevation view thereof;
FIG. 6 is a bottom plan view thereof;
FIG. 7 is a right side elevation view thereof; and,
FIG. 8 is a left side elevation view thereof.

1 Claim, 4 Drawing Sheets



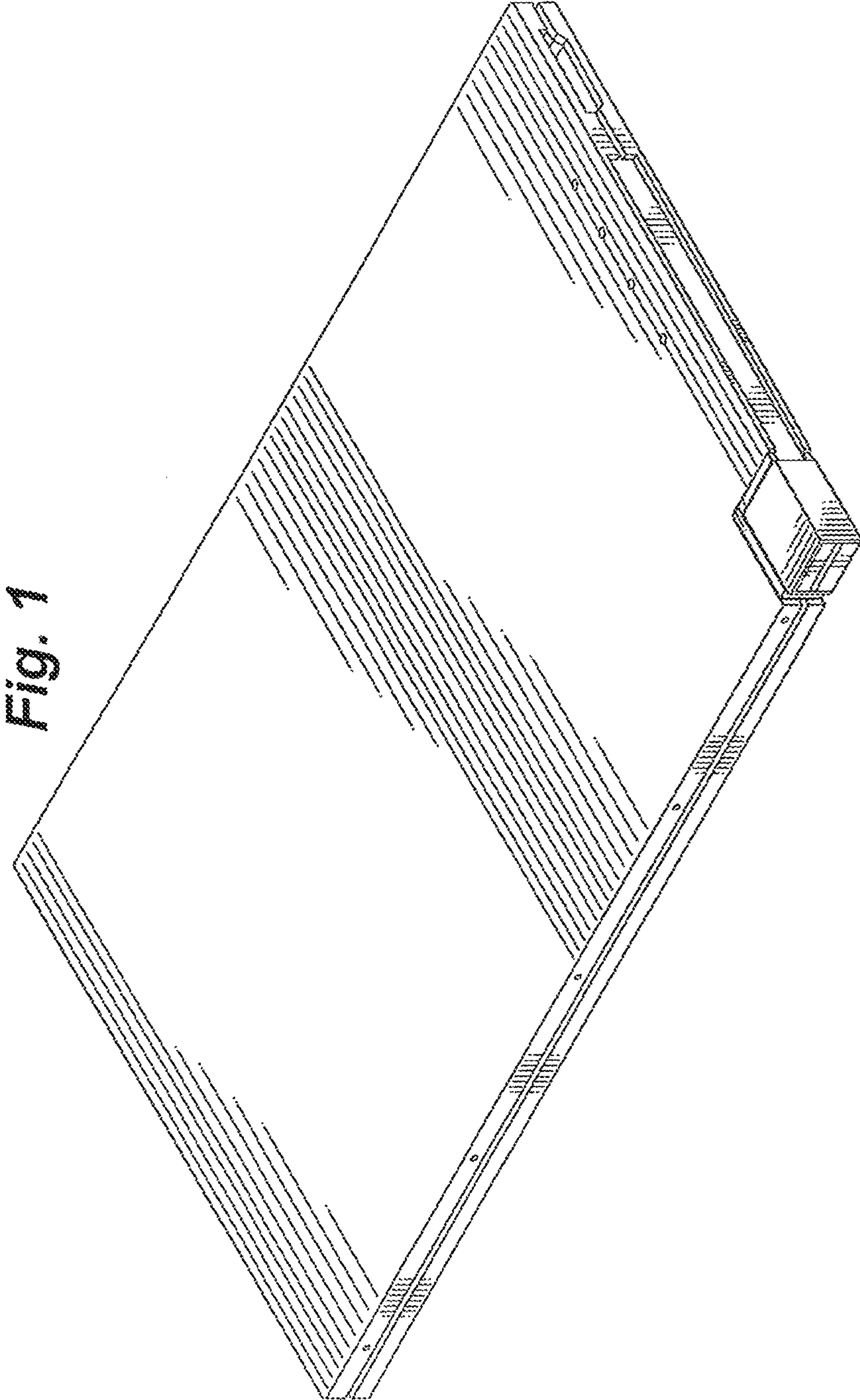
(56)

References Cited

U.S. PATENT DOCUMENTS

2015/0256008 A1* 9/2015 Miller H02J 7/0042
320/107
2016/0049818 A1* 2/2016 Yao G06K 19/06037
320/103
2017/0133870 A1* 5/2017 Miller H02J 7/0044

* cited by examiner



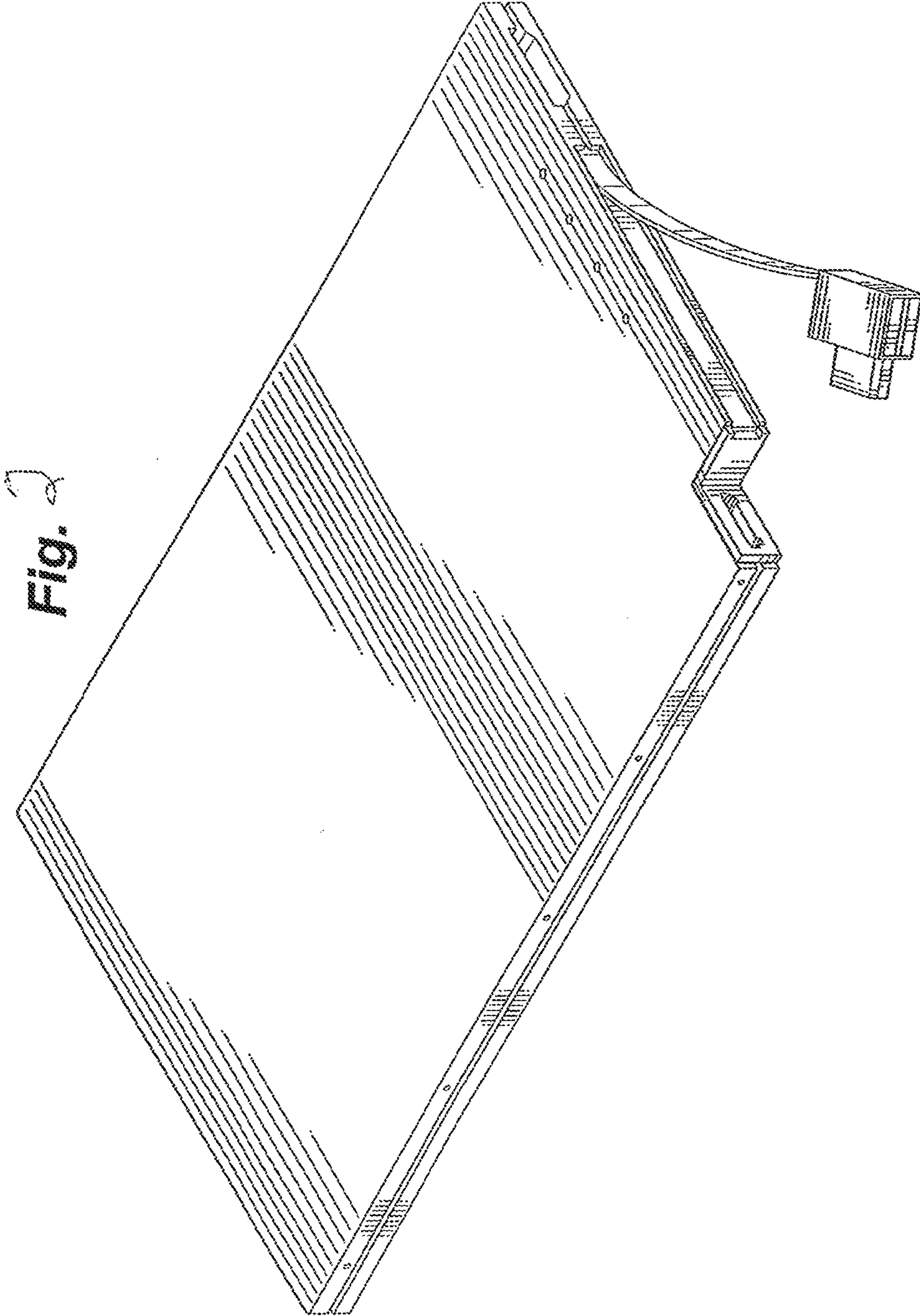


Fig. 2

Fig. 3

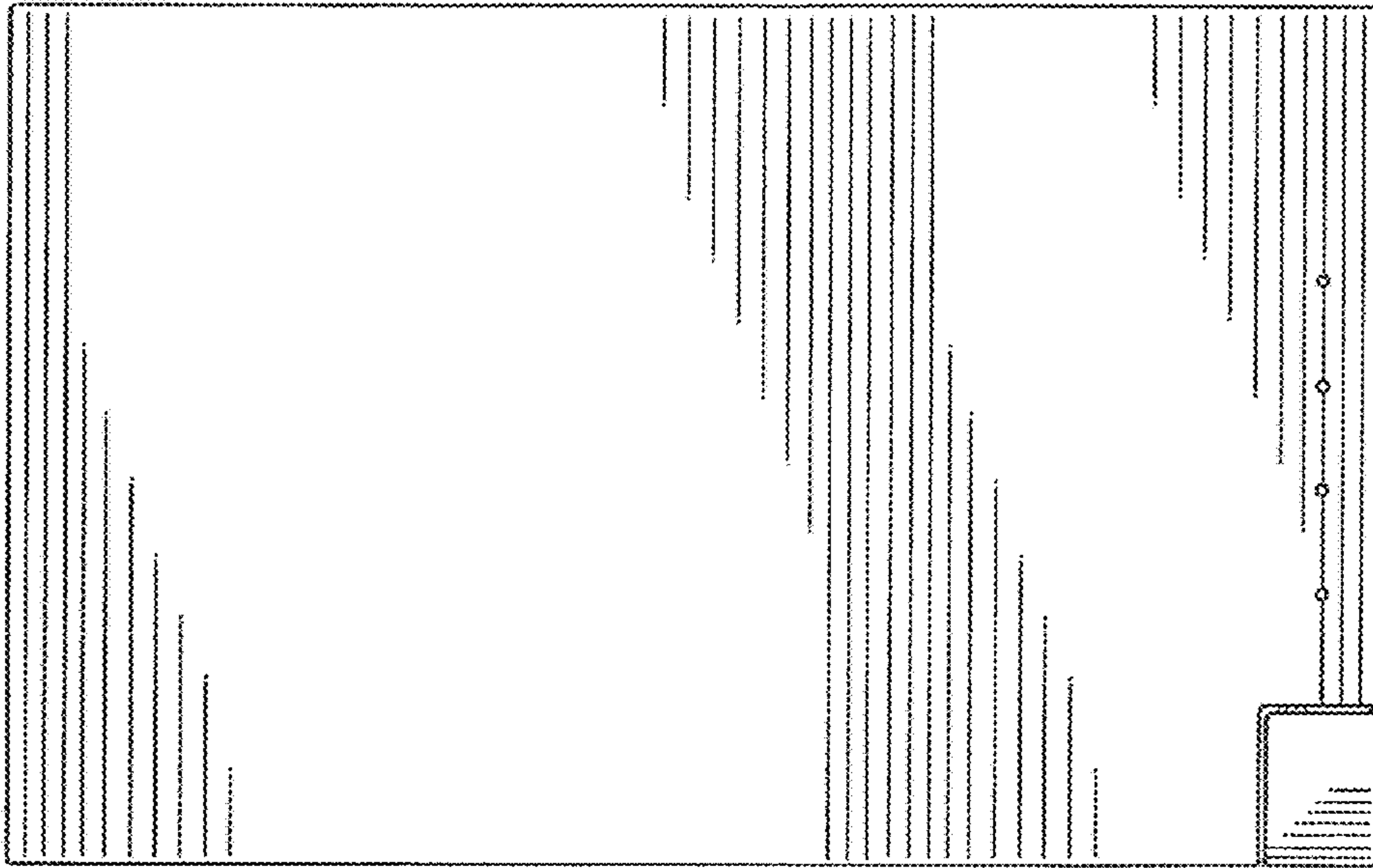


Fig. 4

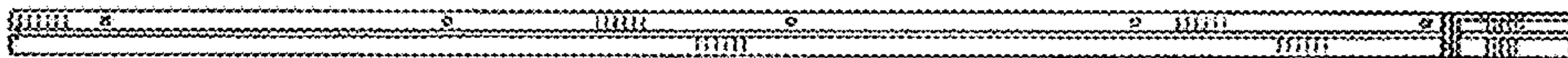


Fig. 5

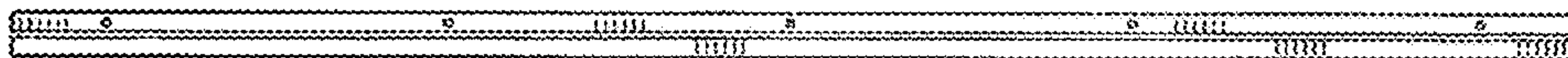


Fig. 6

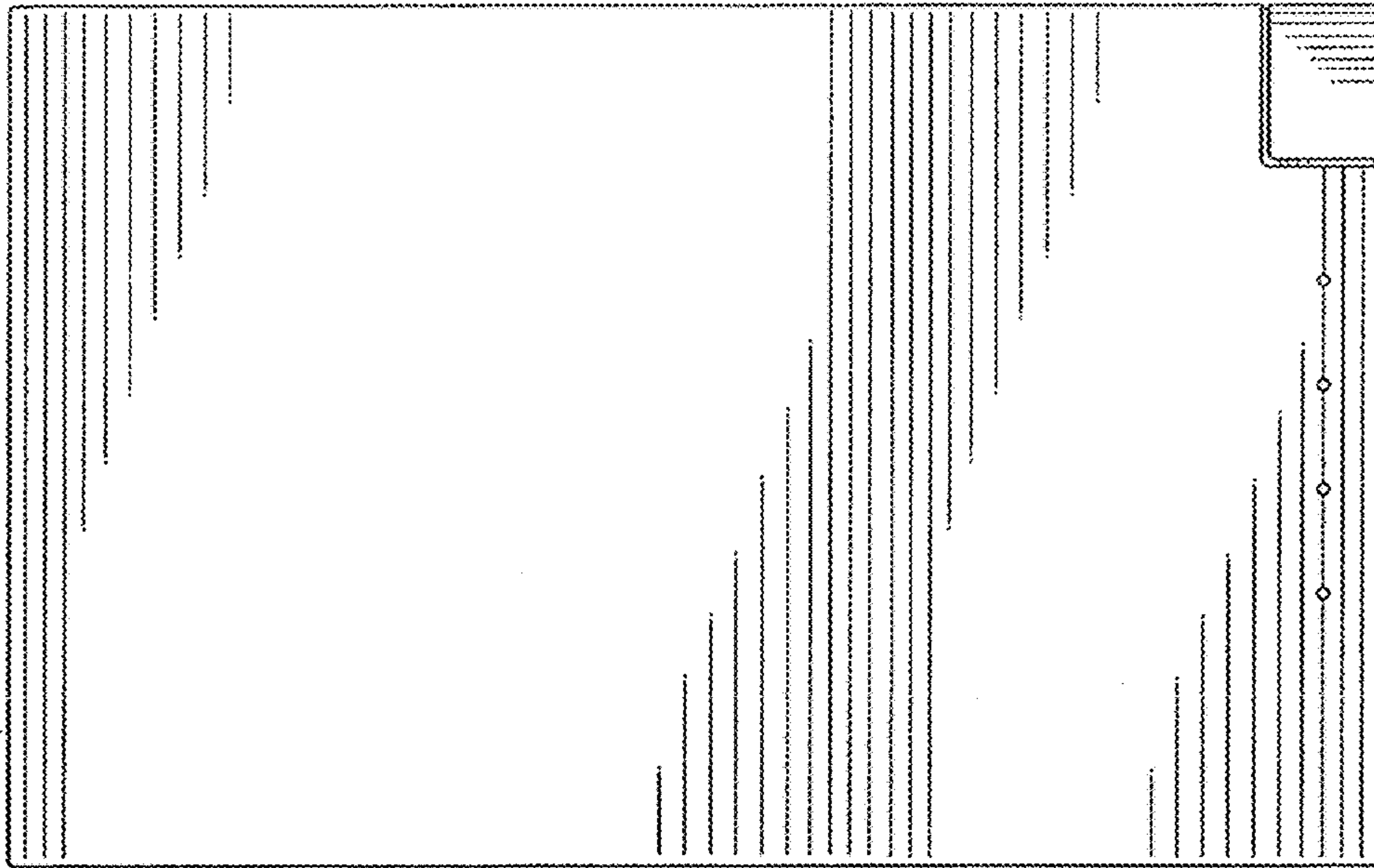


Fig. 7

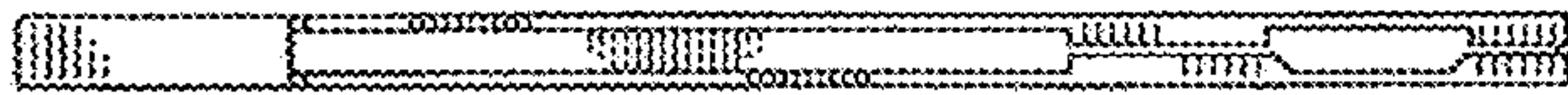


Fig. 8

