



US00D821305S

(12) **United States Design Patent** (10) **Patent No.:** **US D821,305 S**
Liu et al. (45) **Date of Patent:** **** Jun. 26, 2018**

(54) **BATTERY ASSEMBLY**

(56) **References Cited**

(71) Applicant: **HUIZHOU KIMREE TECHNOLOGY CO., LTD.**
SHENZHEN BRANCH, Shenzhen, Guangdong (CN)

U.S. PATENT DOCUMENTS

(72) Inventors: **Qiuming Liu**, Guangdong (CN);
Zhiyong Xiang, Guangdong (CN);
Jianhua Niu, Guangdong (CN); **Zhilin Wei**, Guangdong (CN)

D433,532 S *	11/2000	Higgins	D27/186
D729,444 S *	5/2015	Leidel	D27/163
D729,445 S *	5/2015	Leidel	D27/163
D731,114 S *	6/2015	Leidel	D27/163
D733,356 S *	6/2015	Leidel	D27/163
D748,325 S *	1/2016	Leidel	D27/163
D758,656 S *	6/2016	Freshwater	D27/163
D760,429 S *	6/2016	Emarlou	D27/163
D765,594 S *	9/2016	Li	D13/103
D770,678 S *	11/2016	Shin	D27/163
D772,477 S *	11/2016	Shin	D27/163
D773,116 S *	11/2016	Liu	D27/167
D790,766 S *	6/2017	Li	D27/163

(73) Assignee: **HUIZHOU KIMREE TECHNOLOGY CO., LTD.**
SHENZHEN BRANCH, Shenzhen, Guangdong (CN)

* cited by examiner

(**) Term: **15 Years**

Primary Examiner — Rosemary K Tarcza

(21) Appl. No.: **29/575,719**

Assistant Examiner — Alison M Ofstun

(22) Filed: **Aug. 28, 2016**

(74) *Attorney, Agent, or Firm* — U.S. Fairsky LLP; Yue Xu

(30) **Foreign Application Priority Data**

(57) **CLAIM**

Jul. 5, 2016 (CN) 2016 3 0303884

The ornamental design for a battery assembly, as shown and described.

(51) **LOC (11) Cl.** **13-02**

DESCRIPTION

(52) **U.S. Cl.**

USPC **D13/103**; D27/101

(58) **Field of Classification Search**

USPC D13/102–106, 100, 118–119, 184;
D27/101, 163, 167, 170

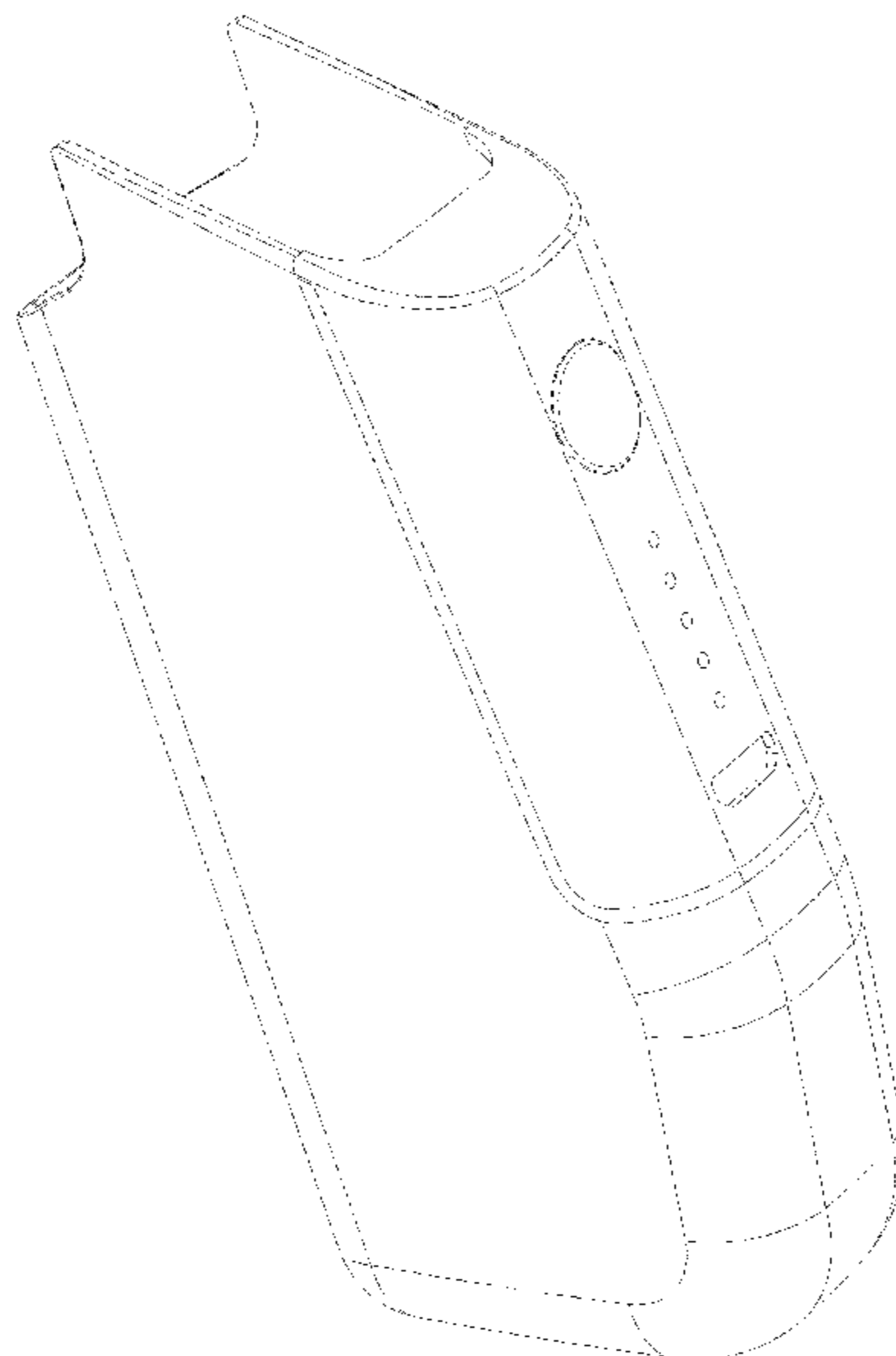
CPC Y02E 60/12; Y02E 60/122; Y02E 60/124;
Y02E 60/50; H01M 2/02; H01M 2/022;
H01M 2/0202; H01M 2/0207; H01M
2/0212; H01M 2/1061; H01M 2/1022;
H01M 2/1055; H01M 2/1066; H01M
2/105; H01M 2/204; H01M 10/4257;
H01M 10/0436; H01M 10/48

FIG. 1 is a front view of a battery assembly, showing our new design;
FIG. 2 is a rear view thereof;
FIG. 3 is a left view thereof;
FIG. 4 is a right view thereof;
FIG. 5 is an enlarged top view thereof;
FIG. 6 is an enlarged bottom view thereof; and,
FIG. 7 is a perspective view thereof.

The broken lines present in the figures are included for the purpose of illustrating portions of the battery assembly which form no part of the claimed design.

See application file for complete search history.

1 Claim, 7 Drawing Sheets



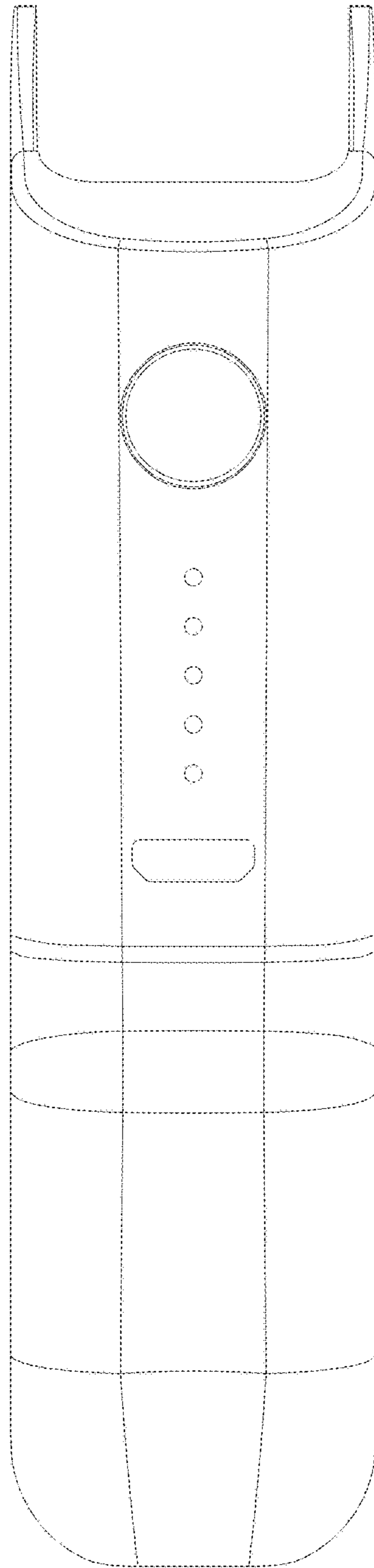


Fig. 1

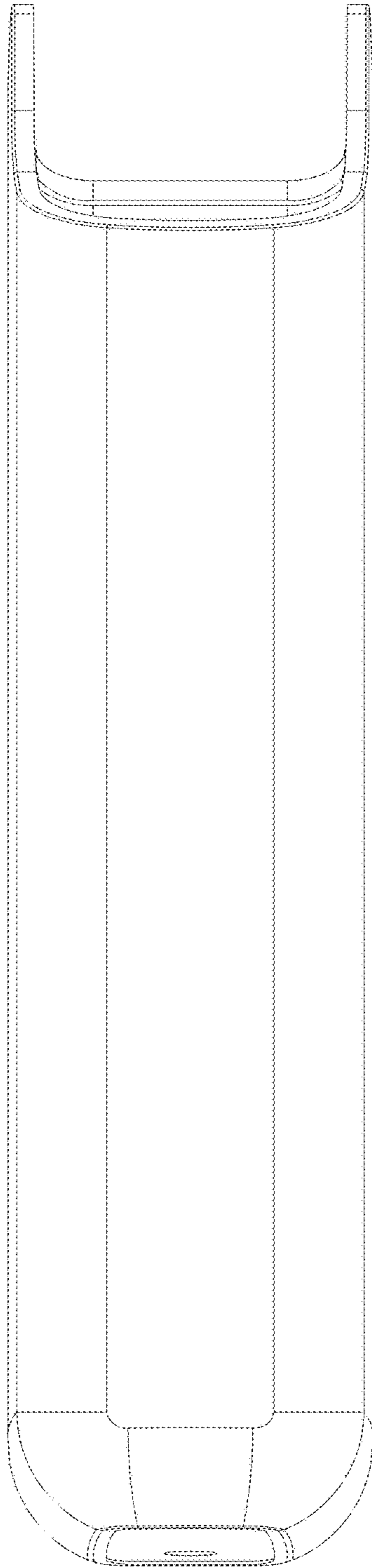


Fig. 2

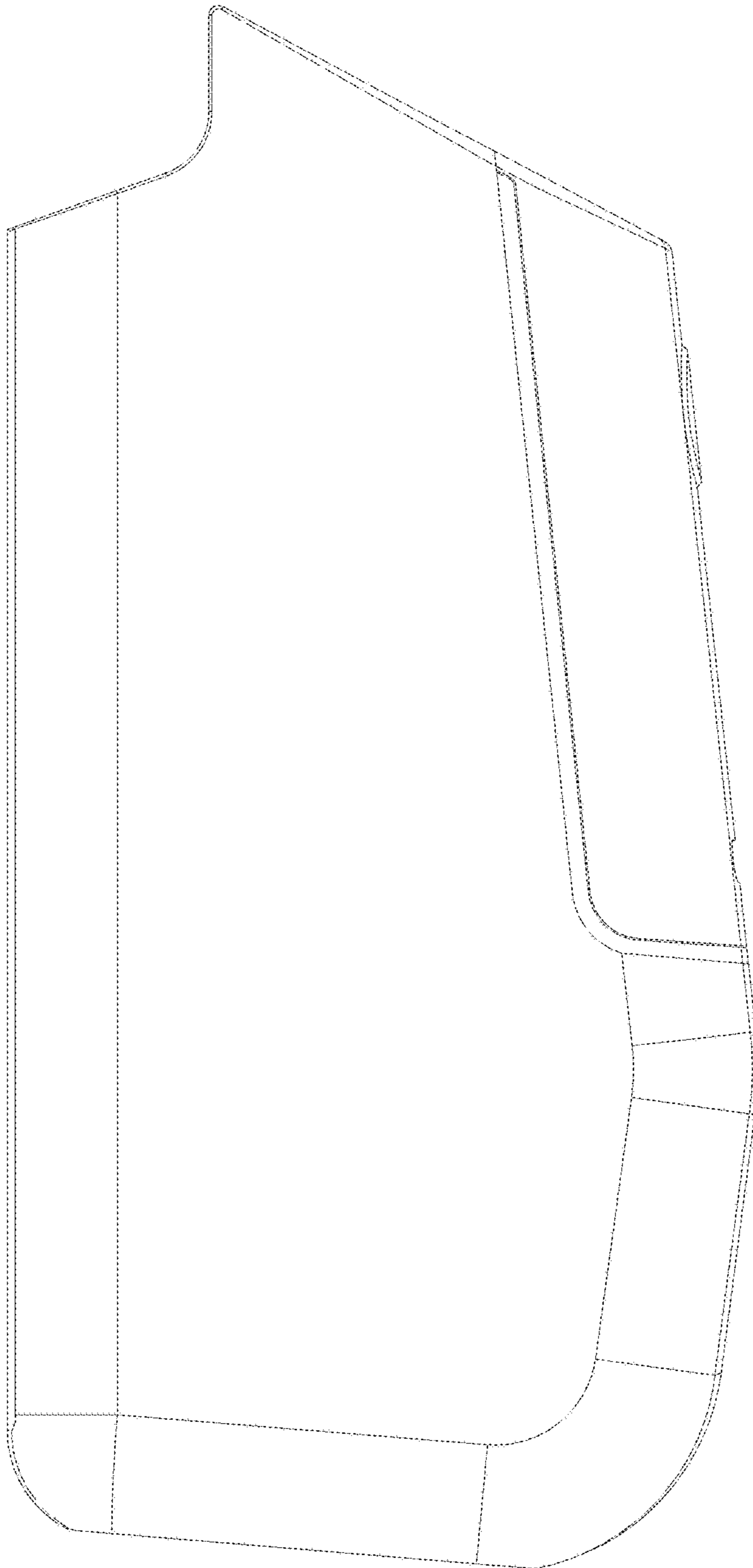


Fig. 3

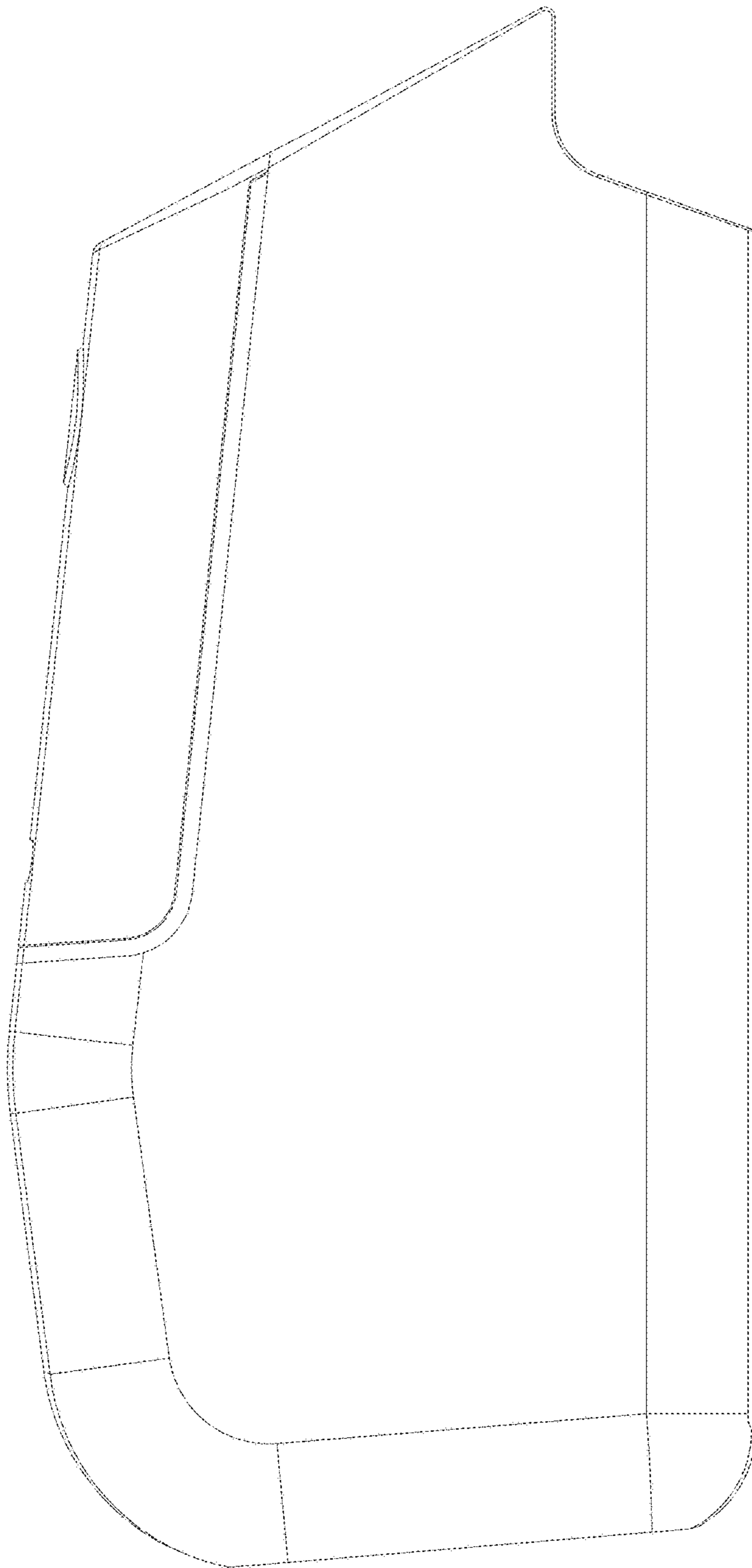


Fig. 4

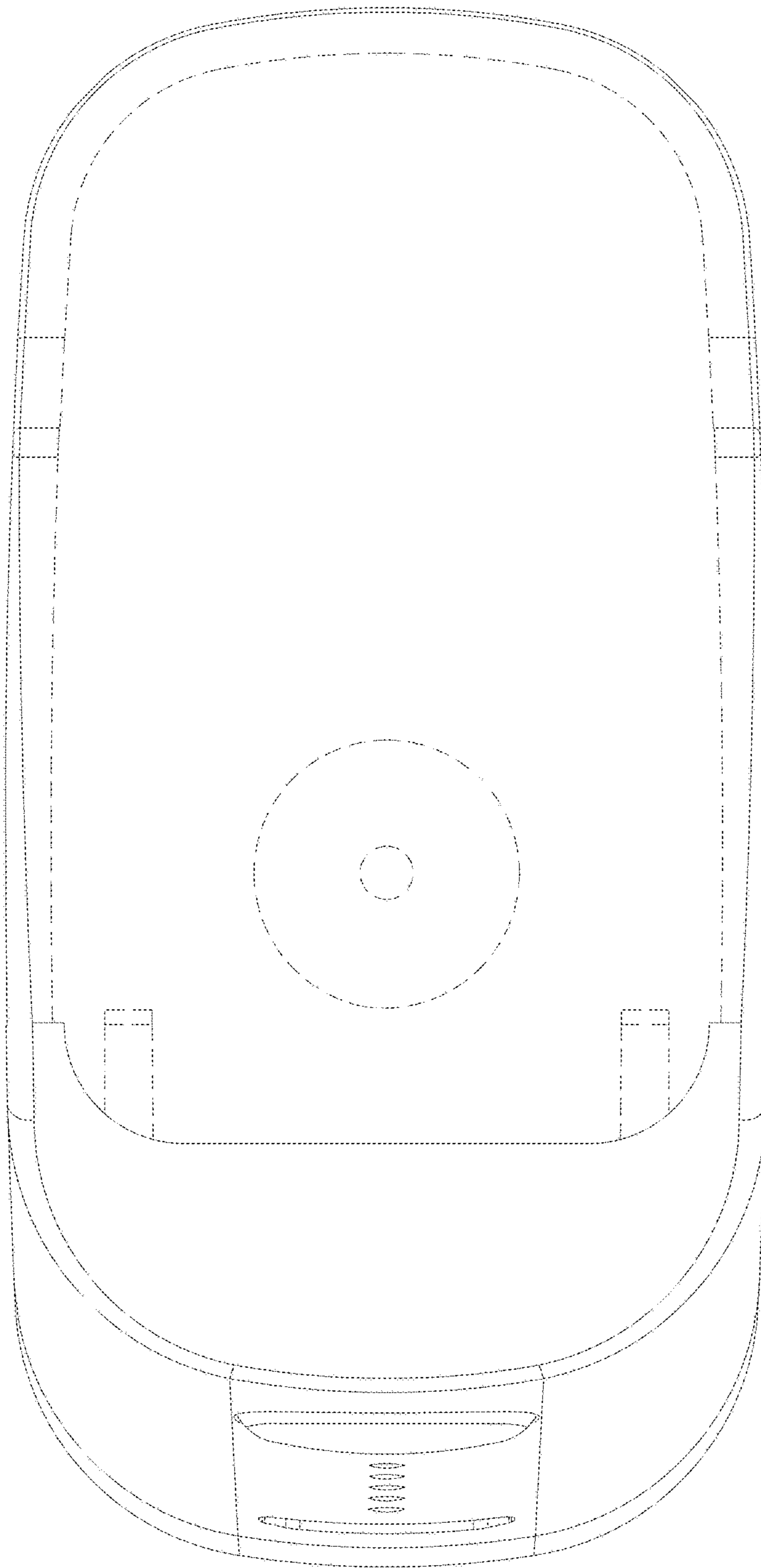


Fig. 5

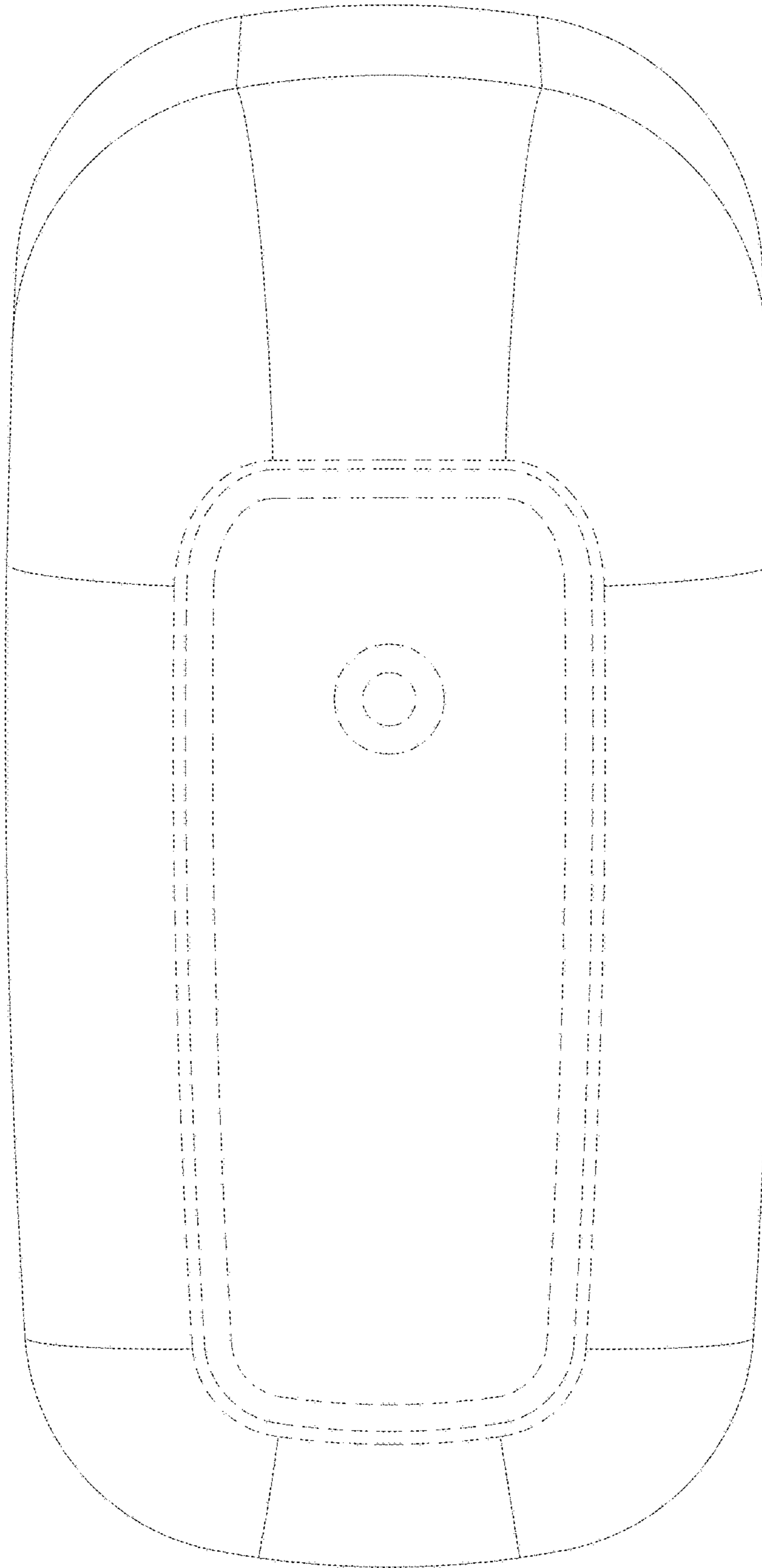


Fig. 6

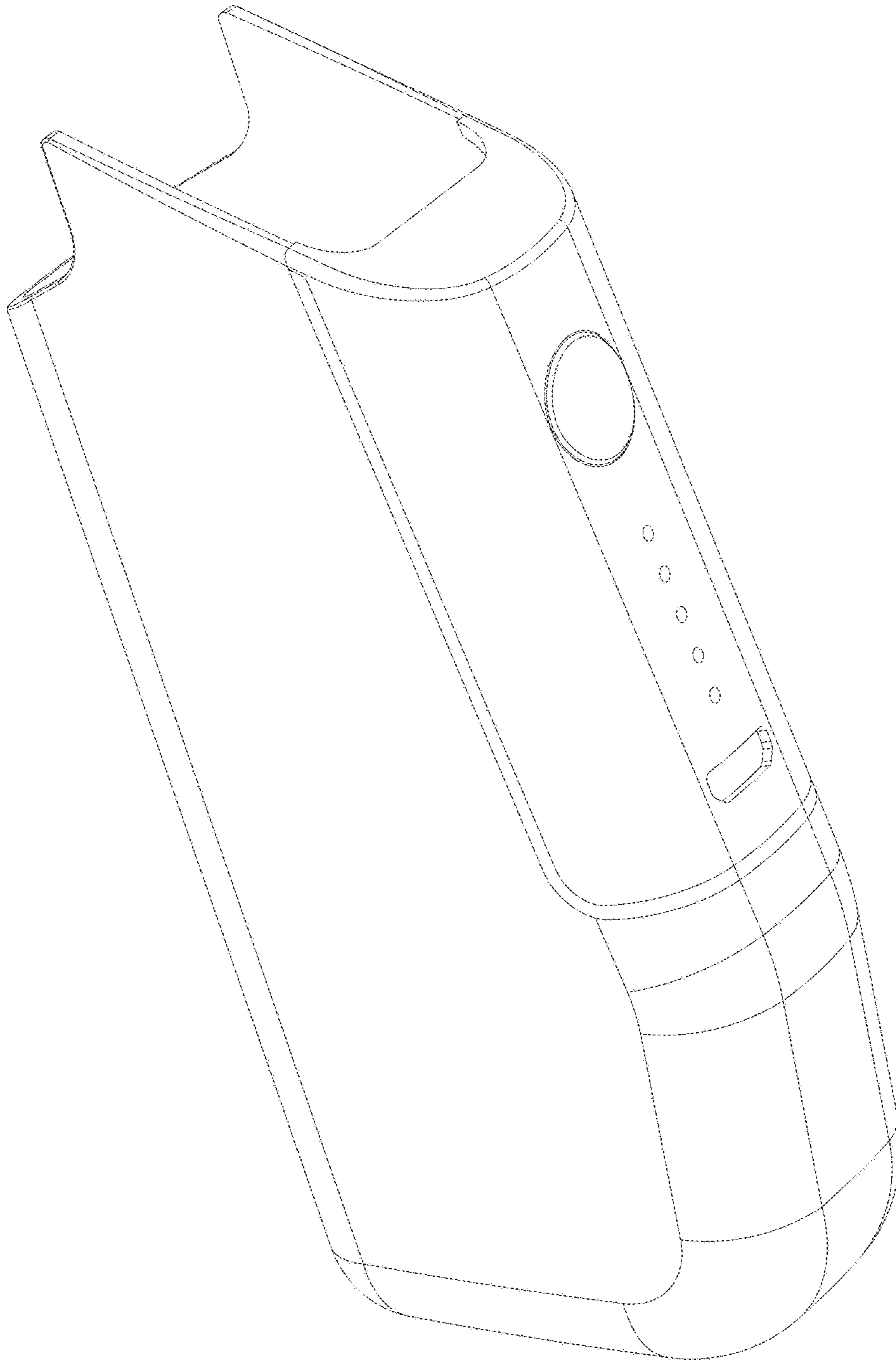


Fig. 7