



US00D821302S

(12) **United States Design Patent** (10) **Patent No.:** **US D821,302 S**
Fletcher et al. (45) **Date of Patent:** **** Jun. 26, 2018**

(54) **VENTURI DEVICE**

(56) **References Cited**

(71) Applicants: **David E. Fletcher**, Flint, MI (US);
Brian M. Graichen, Leonard, MI (US);
James H. Miller, Ortonville, MI (US);
Rex Bravo, Detroit, MI (US); **Keith Hampton**, Ann Arbor, MI (US);
Matthew C. Gilmer, Whitmore Lake, MI (US); **Andrew D. Niedert**, New Hudson, MI (US); **Nicole Bruder**, Harrison Township, MI (US)

U.S. PATENT DOCUMENTS

D166,330	S	*	4/1952	Matasovic	D10/84
D172,372	S	*	6/1954	Wagner	D10/85
D282,562	S	*	2/1986	Looney	D23/235
D283,725	S	*	5/1986	Mahoney	D23/235
4,664,147	A	*	5/1987	Maddock	B01F 5/0415 137/599.12
D297,560	S	*	9/1988	LeBreton	D23/233
D301,917	S	*	6/1989	Ogasawara	D10/85
D318,318	S	*	7/1991	Datta	D23/235
5,291,916	A	*	3/1994	Kloosterman et al.		
D351,893	S	*	10/1994	Whitesel	D23/207
D354,331	S	*	1/1995	Bunke	D23/207
D358,448	S	*	5/1995	Paoli	D23/200
D372,295	S	*	7/1996	Weber	D23/207

(Continued)

(72) Inventors: **David E. Fletcher**, Flint, MI (US);
Brian M. Graichen, Leonard, MI (US);
James H. Miller, Ortonville, MI (US);
Rex Bravo, Detroit, MI (US); **Keith Hampton**, Ann Arbor, MI (US);
Matthew C. Gilmer, Whitmore Lake, MI (US); **Andrew D. Niedert**, New Hudson, MI (US); **Nicole Bruder**, Harrison Township, MI (US)

Primary Examiner — Derrick Holland
Assistant Examiner — Jennifer O King
(74) *Attorney, Agent, or Firm* — FisherBroyles, LLP;
Susan M. Oiler

(73) Assignee: **Dayco IP Holdings, LLC**, Troy, MI (US)

(57) **CLAIM**

(**) Term: **15 Years**

The ornamental design for a Venturi device, as shown and described.

(21) Appl. No.: **29/530,829**

(22) Filed: **Jun. 19, 2015**

DESCRIPTION

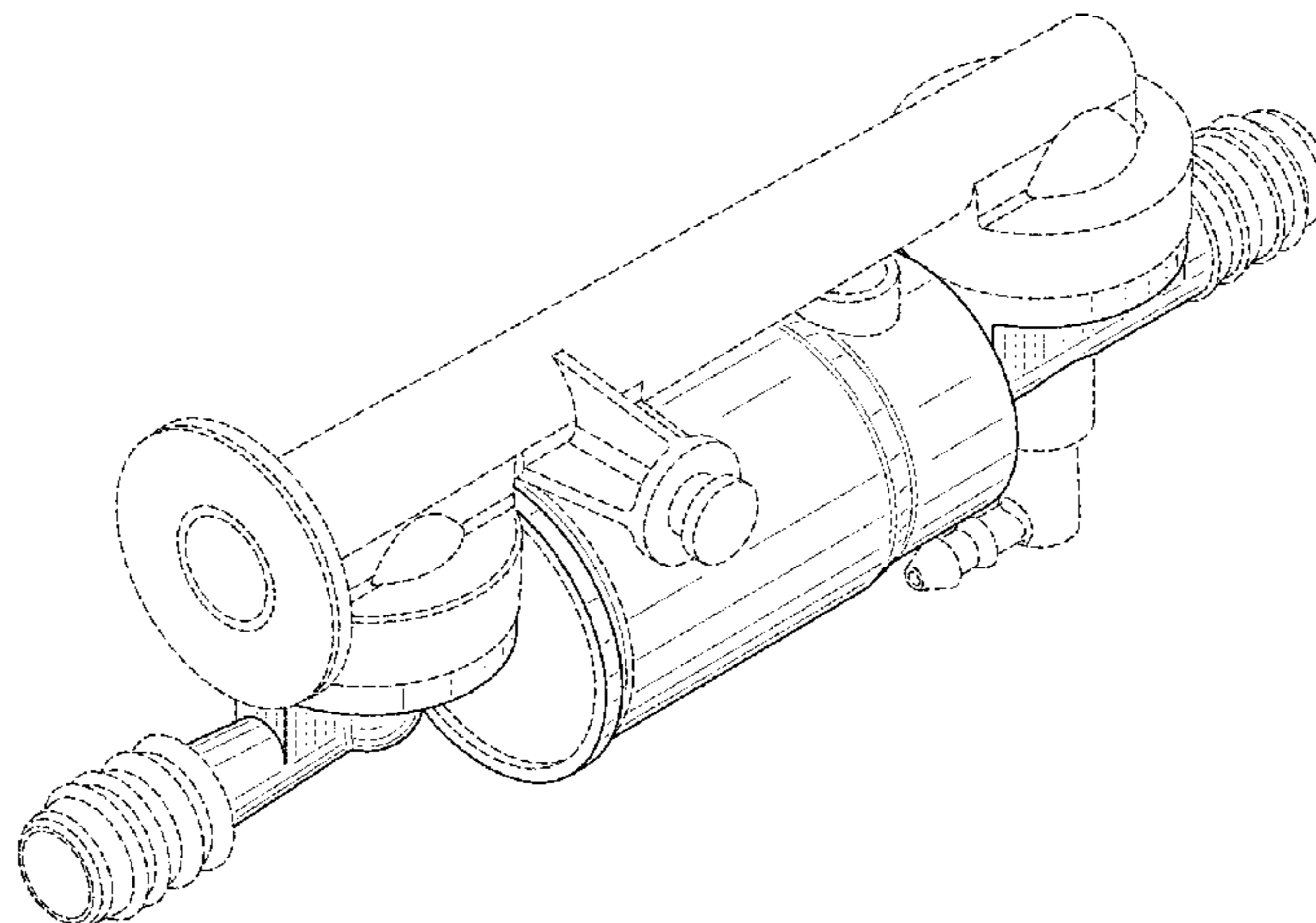
(51) **LOC (11) Cl.** **13-02**

(52) **U.S. Cl.**
USPC **D13/101; D23/235**

(58) **Field of Classification Search**
USPC D23/233, 244–250, 200, 207, 209, 210,
D23/259–265; D13/101, 112, 174, 158;
137/301, 315.18, 486, 487.5, 599.05,
137/601.14, 554, 630.12, 398, 545;
251/129.15, 129.01, 129.11, 62, 327, 213,
251/324, 63.5, 205, 215, 309–312, 904
CPC B01F 15/00344; F16K 31/0675; F16K
31/082; F16K 31/1221; F16K 31/0668
See application file for complete search history.

FIG. 1 is a front perspective view of a Venturi device of our design;
FIG. 2 is a front elevation view thereof;
FIG. 3 is a rear elevation view thereof;
FIG. 4 is a left-side elevation view thereof;
FIG. 5 is a right-side elevation view thereof;
FIG. 6 is a top view thereof; and,
FIG. 7 is a bottom view thereof.
The broken lines shown represent the portions of the Venturi device that form no part of the claimed design.

1 Claim, 6 Drawing Sheets



(56)

References Cited

U.S. PATENT DOCUMENTS

6,100,609 A * 8/2000 Weber F16H 25/20
310/12.32
6,336,294 B1 * 1/2002 Kowalczyk E05D 15/54
49/339
D514,146 S * 1/2006 Haneball D15/143
D554,735 S * 11/2007 Orritt D23/207
D589,459 S * 3/2009 Iida D13/158
D597,169 S * 7/2009 Hin D23/207
D607,535 S * 1/2010 Kojima D23/200
D622,351 S * 8/2010 Foster D23/233
D667,930 S * 9/2012 Yamada D23/233
D687,930 S * 8/2013 Sacchetti F16K 11/105
D23/235
D722,363 S * 2/2015 Kluss D23/235
D728,746 S * 5/2015 McLauchlan D23/233
D732,641 S * 6/2015 Hermann D23/233
D752,507 S * 3/2016 Takahashi D13/101
D754,290 S * 4/2016 Roden D23/233
D762,819 S * 8/2016 Shishido D23/235
D776,786 S * 1/2017 Okazaki D23/209
2011/0233437 A1 * 9/2011 Mattson F16K 5/0478
251/309
2012/0043486 A1 * 2/2012 Bouten F15B 13/0402
251/129.15
2014/0353534 A1 * 12/2014 Graichen F16K 31/1221
251/213
2015/0096637 A1 4/2015 Hampton et al.

* cited by examiner

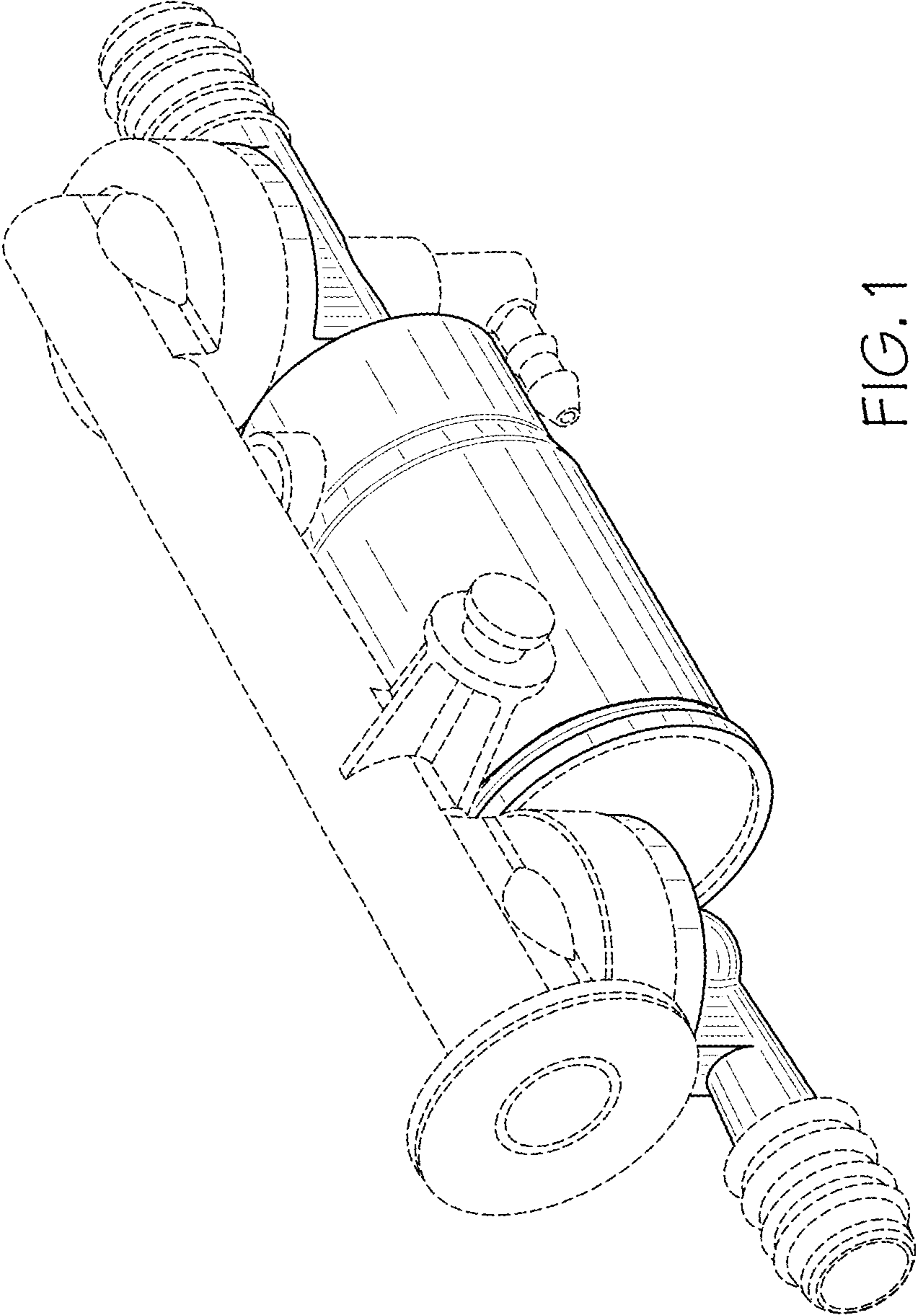


FIG. 1

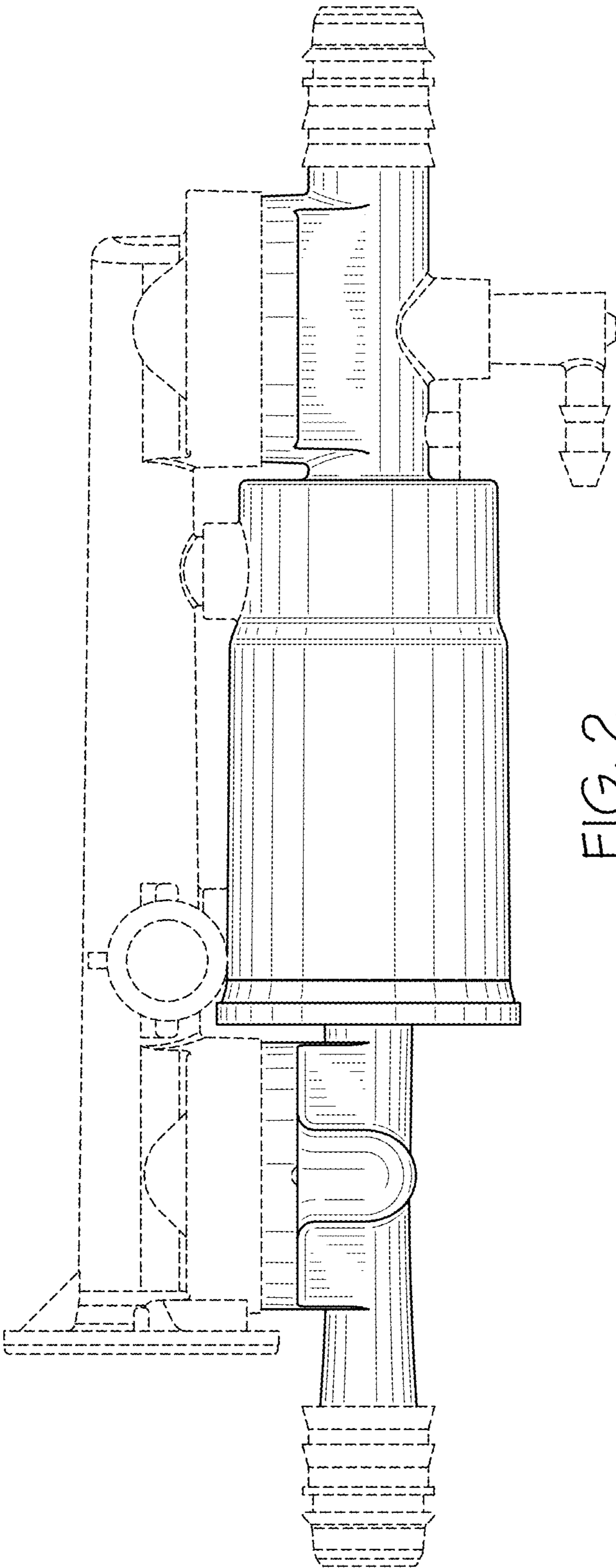


FIG. 2

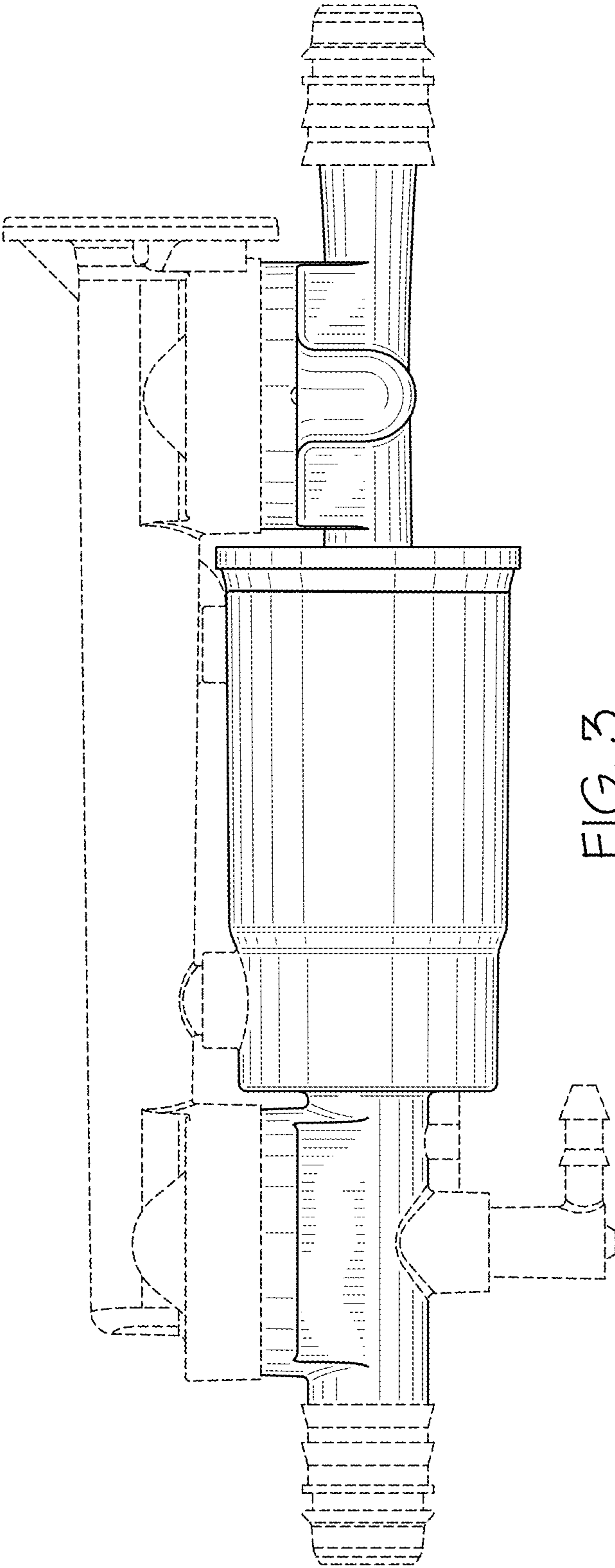


FIG. 3

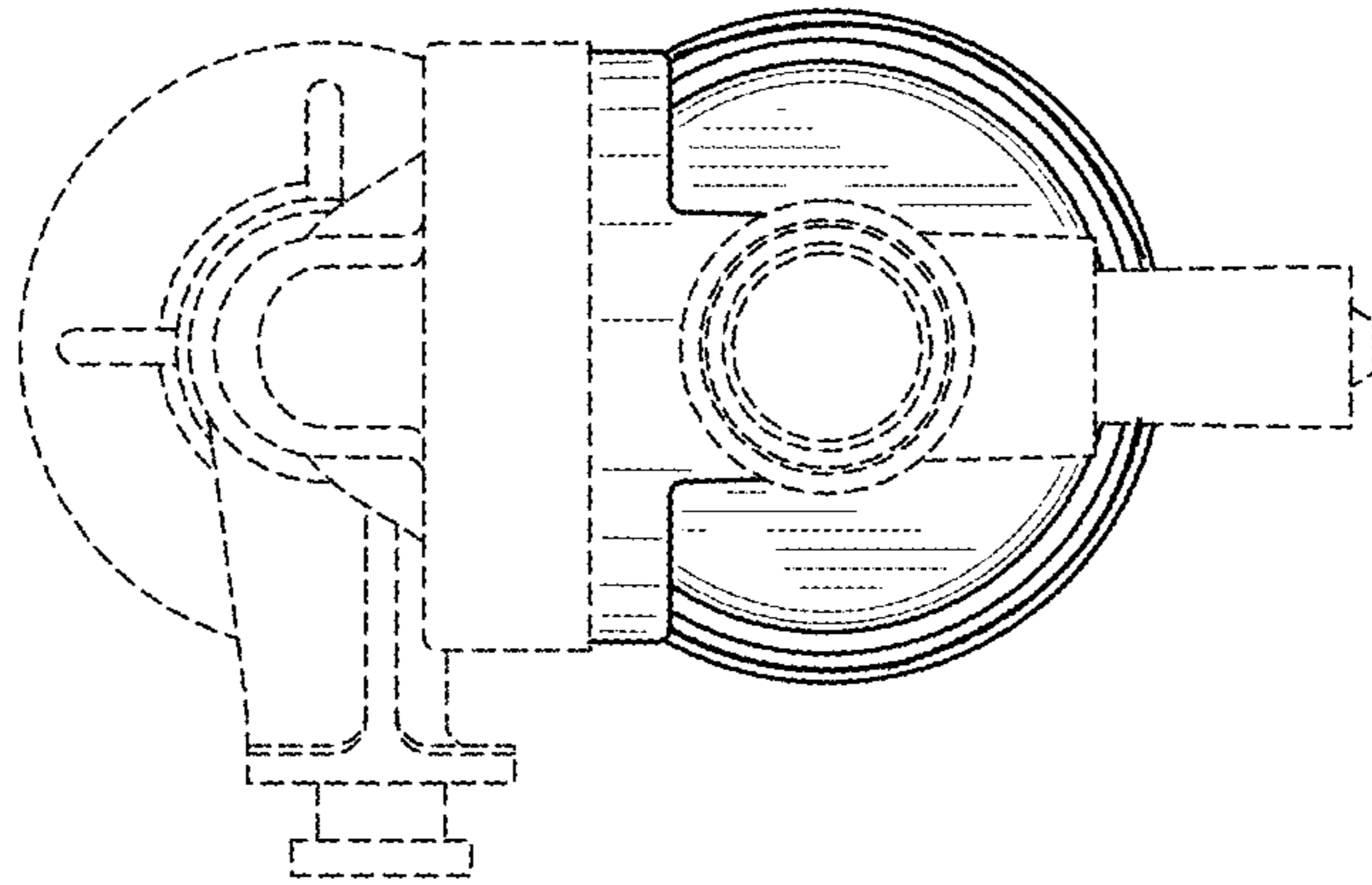


FIG. 5

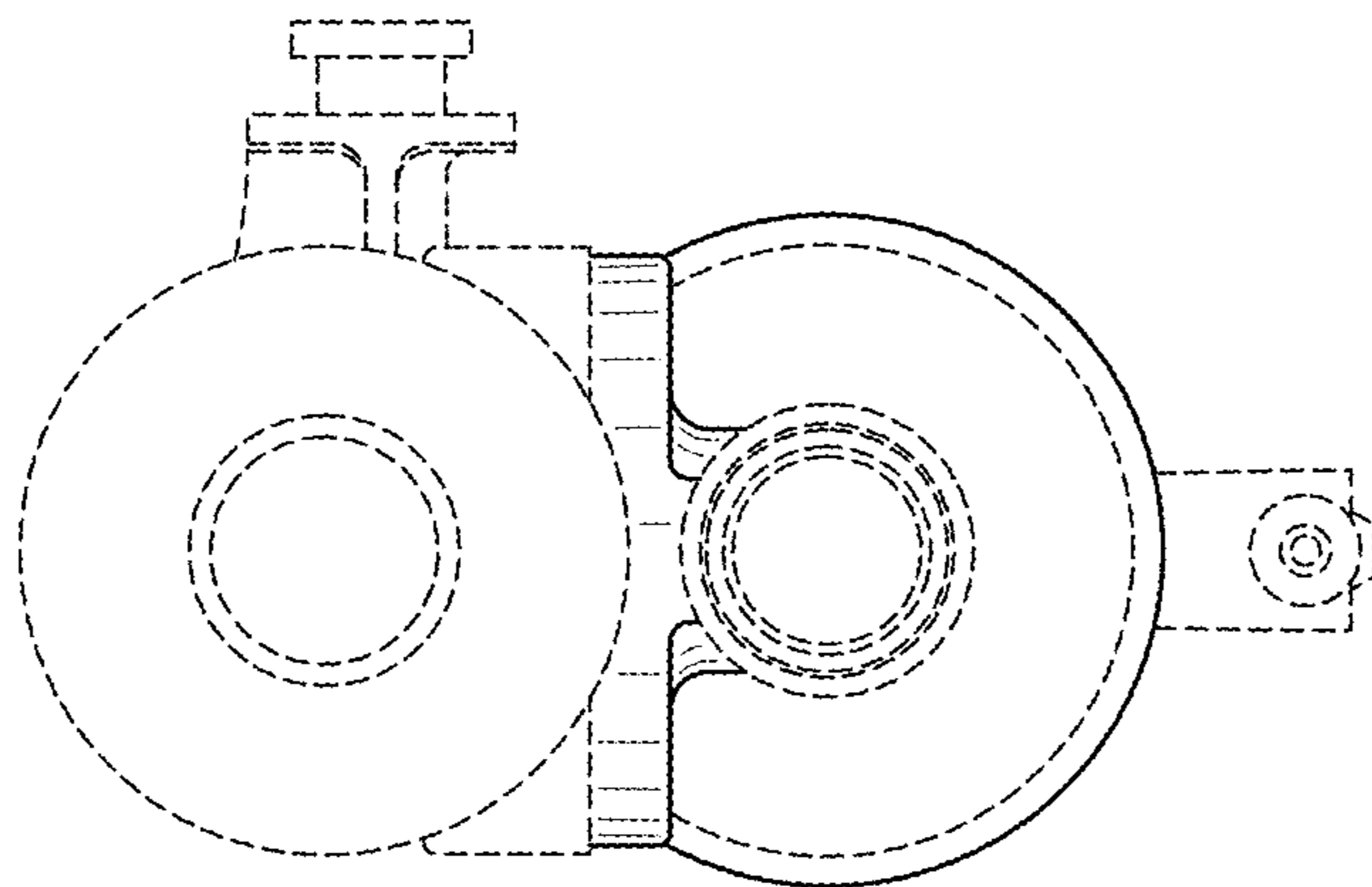


FIG. 4

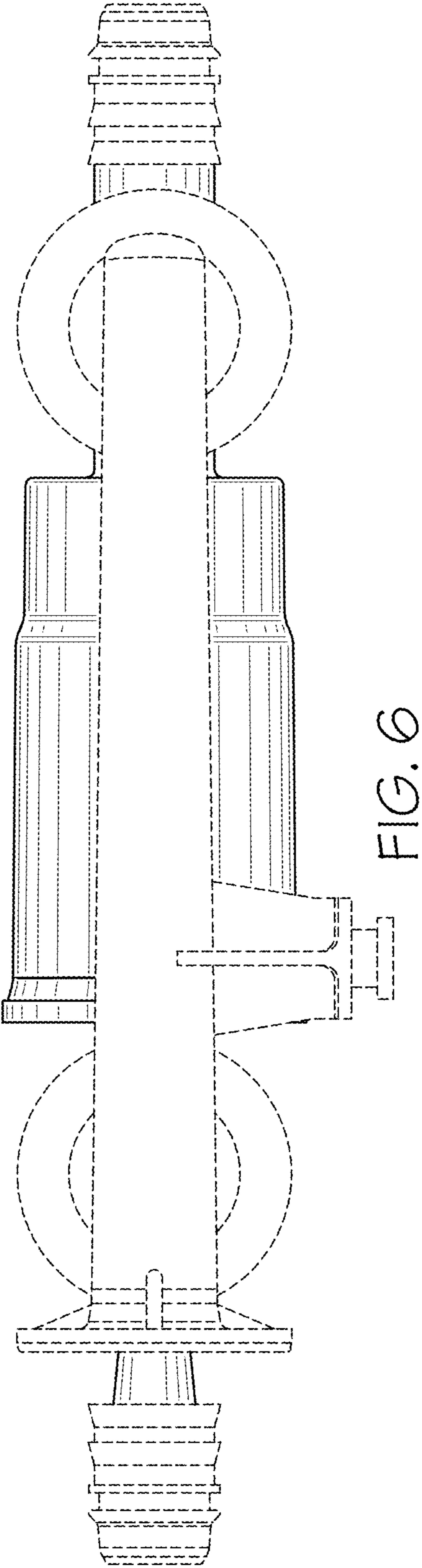


FIG. 6

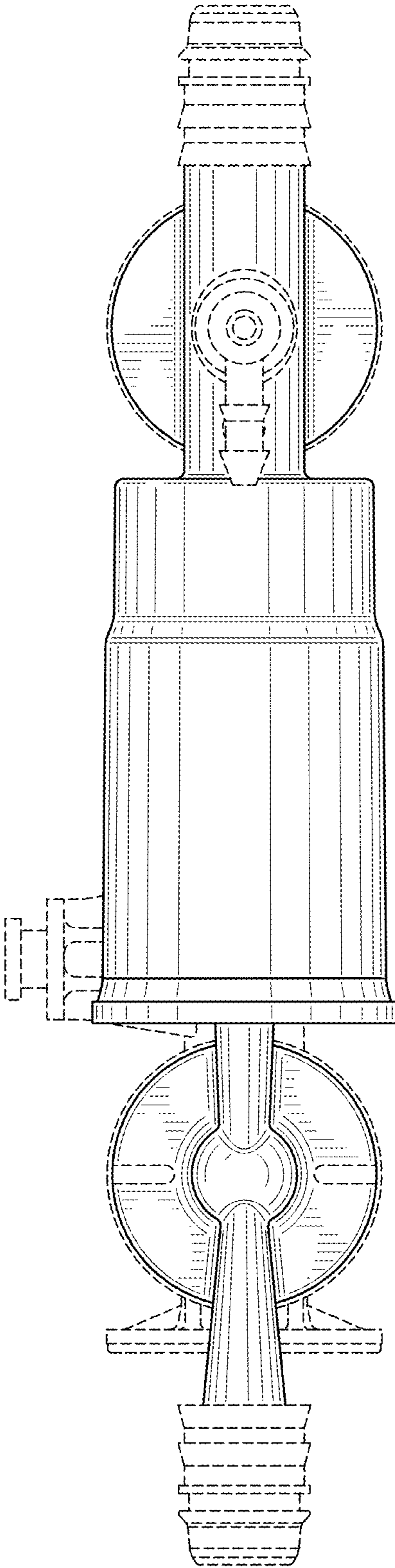


FIG. 7