



US00D821300S

(12) **United States Design Patent**  
**Bortolet et al.**

(10) **Patent No.:** **US D821,300 S**  
(45) **Date of Patent:** **\*\* Jun. 26, 2018**

- (54) **TIRE**
- (71) Applicant: **The Goodyear Tire & Rubber Company, Akron, OH (US)**
- (72) Inventors: **Lionel Jean-Marie Bortolet, Gorcy (FR); Marc Becker, Trier (DE); Paolo Taddia, Luxembourg (LU); Albert Maurice Pol Ghislain Lerusse, Bastogne (BE); Suraj Sadananda, Colmar-Berg (LU); Jerome Boursin, Aspelt (LU)**
- (73) Assignee: **The Goodyear Tire & Rubber Company, Akron, OH (US)**
- (\*\*) Term: **15 Years**
- (21) Appl. No.: **29/601,756**
- (22) Filed: **Apr. 26, 2017**
- (51) **LOC (11) Cl.** ..... **12-15**
- (52) **U.S. Cl.**  
USPC ..... **D12/594**
- (58) **Field of Classification Search**  
USPC ..... D12/586, 587, 588, 589, 590, 594, 600, D12/601  
CPC ..... B60C 2011/0388; B60C 11/04  
See application file for complete search history.

- D583,742 S 12/2008 Georges et al. .... D12/553
- D585,816 S 2/2009 Campana ..... D12/584
- D599,732 S 9/2009 Simon et al. .... D12/580
- D604,226 S 11/2009 Scheuren ..... D12/558
- D604,228 S 11/2009 Le et al. .... D12/582
- D604,229 S 11/2009 Le et al. .... D12/582
- D606,931 S 12/2009 Radulescu et al. .... D12/600
- D609,169 S \* 2/2010 Feider ..... D12/588

(Continued)

*Primary Examiner* — Robert M. Spear  
(74) *Attorney, Agent, or Firm* — Robert N. Lipsik

(57) **CLAIM**

The ornamental design for a tire, as shown and described.

**DESCRIPTION**

FIG. 1 is a perspective view of a tire showing our new design, it being understood that the pattern repeats uniformly throughout the circumference of the tread;

FIG. 2 is a front elevational view thereof;

FIG. 3 is a right side elevational view thereof; the left side elevational view being identical thereto;

FIG. 4 is an enlarged fragmentary front elevational view thereof;

FIG. 5 is a perspective view of a second embodiment of a tire showing our new design, it being understood that the interior of the tire forms no part of the claim, that the pattern repeats uniformly throughout the circumference of the tread and that the opposite side view is identical thereto; and,

FIG. 6 is a front elevational view of a second embodiment, it being understood that an enlarged fragmentary view thereof would be substantially identical to that shown in FIG. 4, with the exception of the inclusion of the sidewall in the claim.

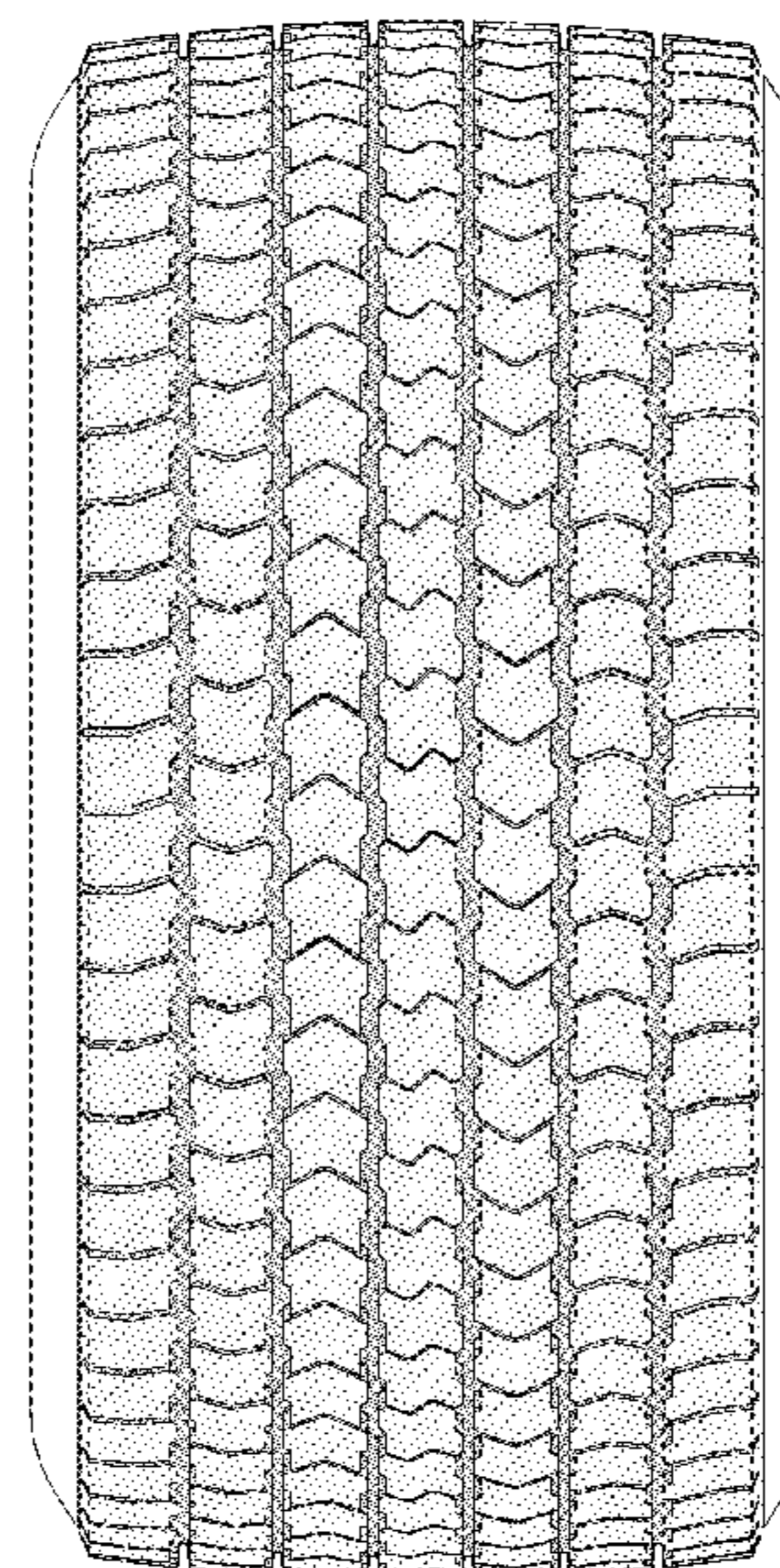
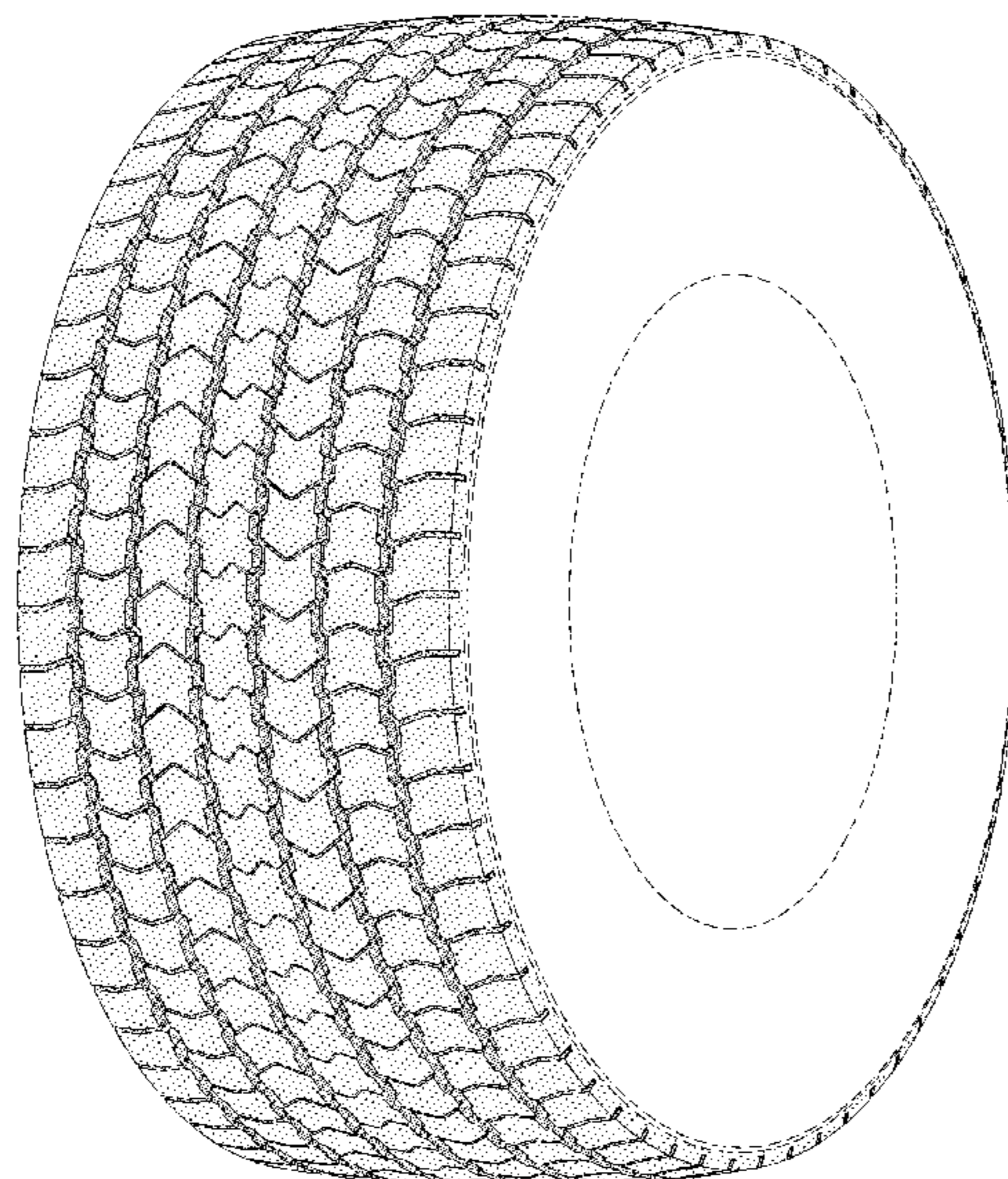
In the drawings, the broken lines immediately adjacent to the outer edges of the tire shoulder represent boundaries of the claim, and the broken lines depict environmental subject matter only and form no part of the claimed design.

**1 Claim, 6 Drawing Sheets**

(56) **References Cited**

**U.S. PATENT DOCUMENTS**

- D251,588 S 4/1979 Candiliotis ..... D12/143
- D470,454 S 2/2003 Helt ..... D12/582
- D473,512 S 4/2003 Zurita ..... D12/574
- D474,147 S 5/2003 Zurita ..... D12/594
- D475,008 S 5/2003 Gillard et al. .... D12/594
- D477,809 S 7/2003 Zurita ..... D12/601
- D504,865 S 5/2005 Maziarka et al. .... D12/521
- D541,731 S 5/2007 Maziarka et al. .... D12/528



(56)

**References Cited**

U.S. PATENT DOCUMENTS

D618,162 S *	6/2010	Mayni .....	D12/588
D627,710 S	11/2010	Rodicq et al. ....	D12/583
D651,556 S *	1/2012	Westaway .....	D12/586
D748,046 S *	1/2016	Kitajima .....	D12/588
D761,192 S	7/2016	Dixon et al. ....	D12/594
D761,725 S	7/2016	Dixon et al. ....	D12/600

\* cited by examiner

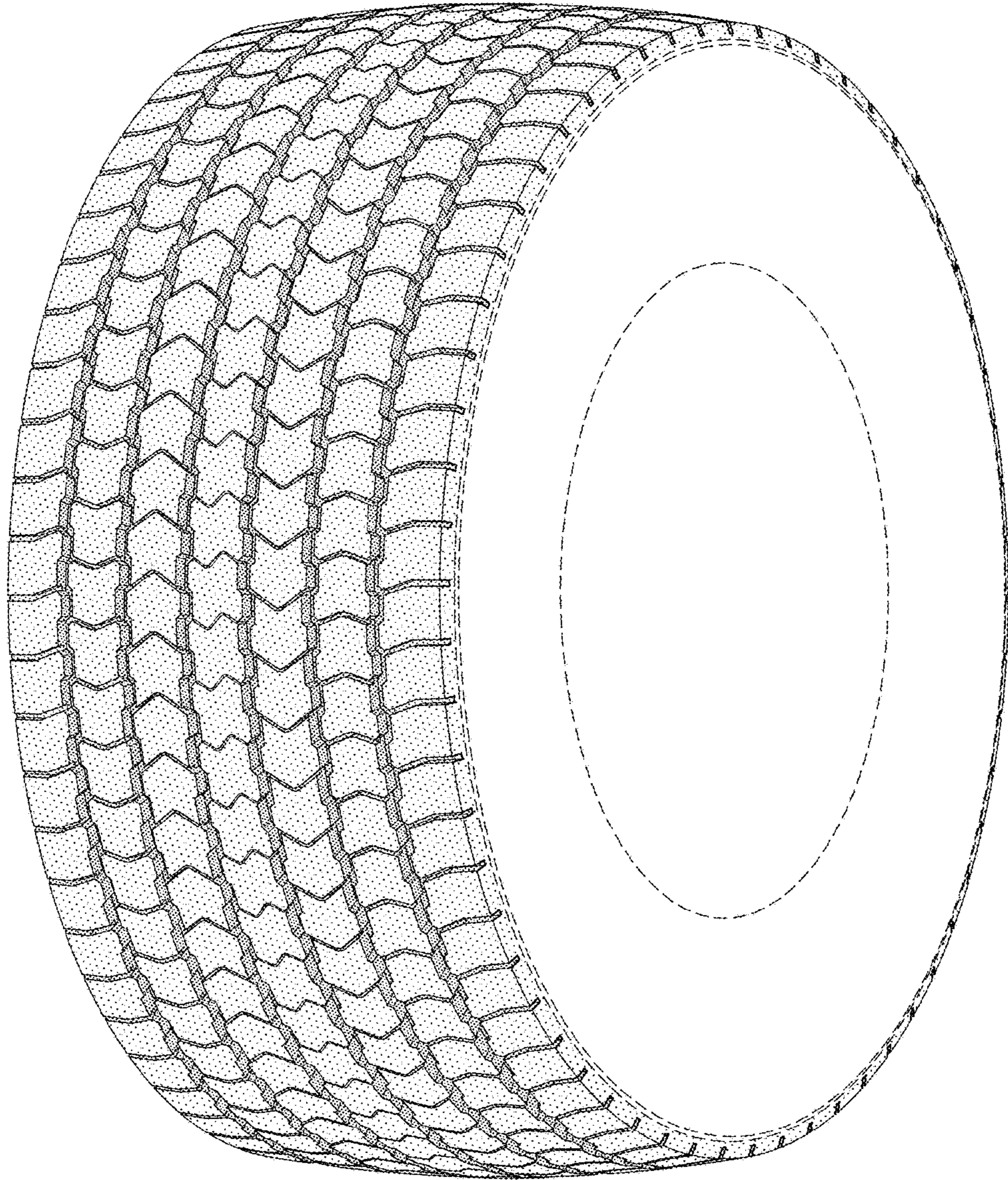


FIG-1

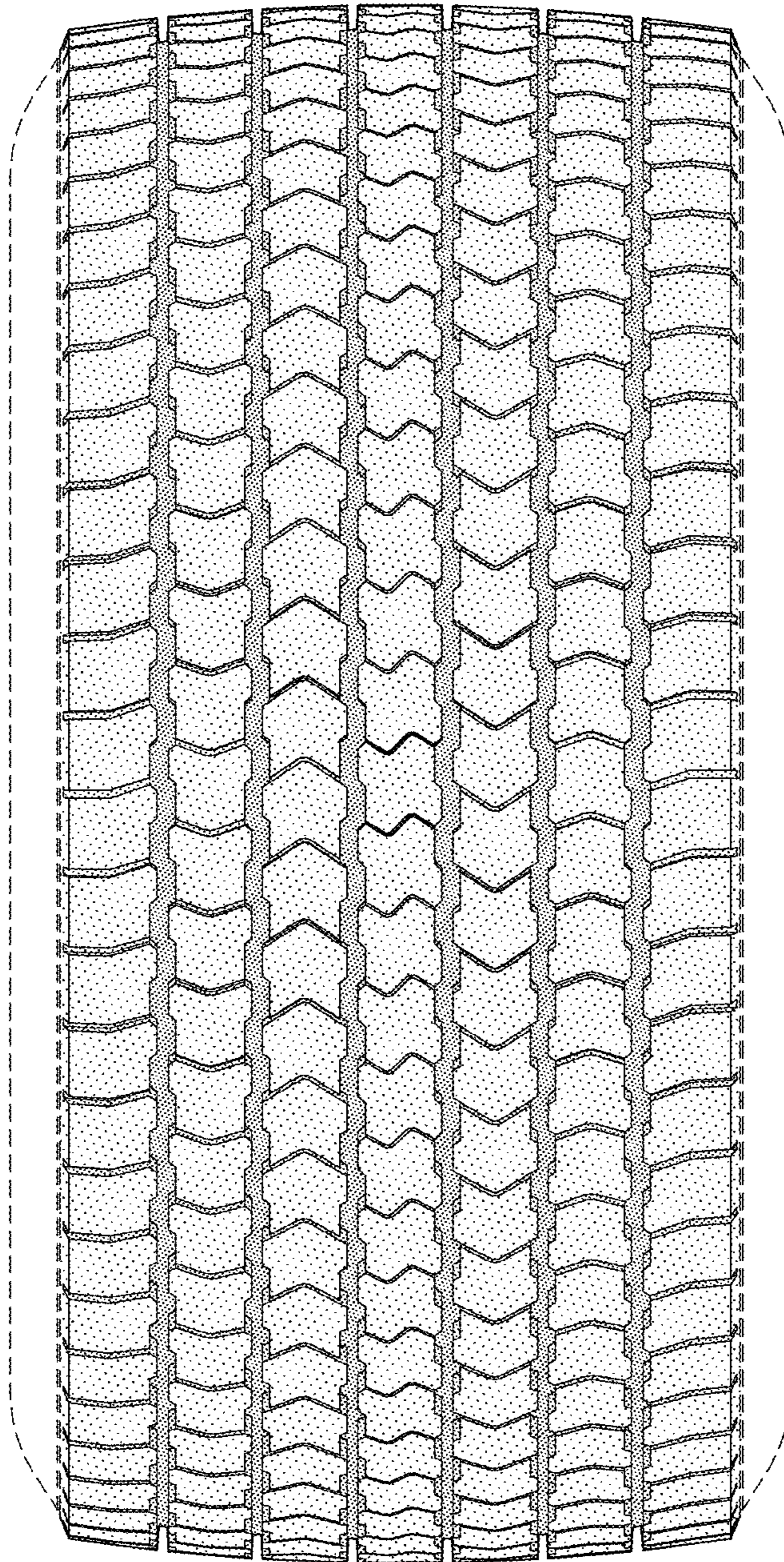


FIG-2

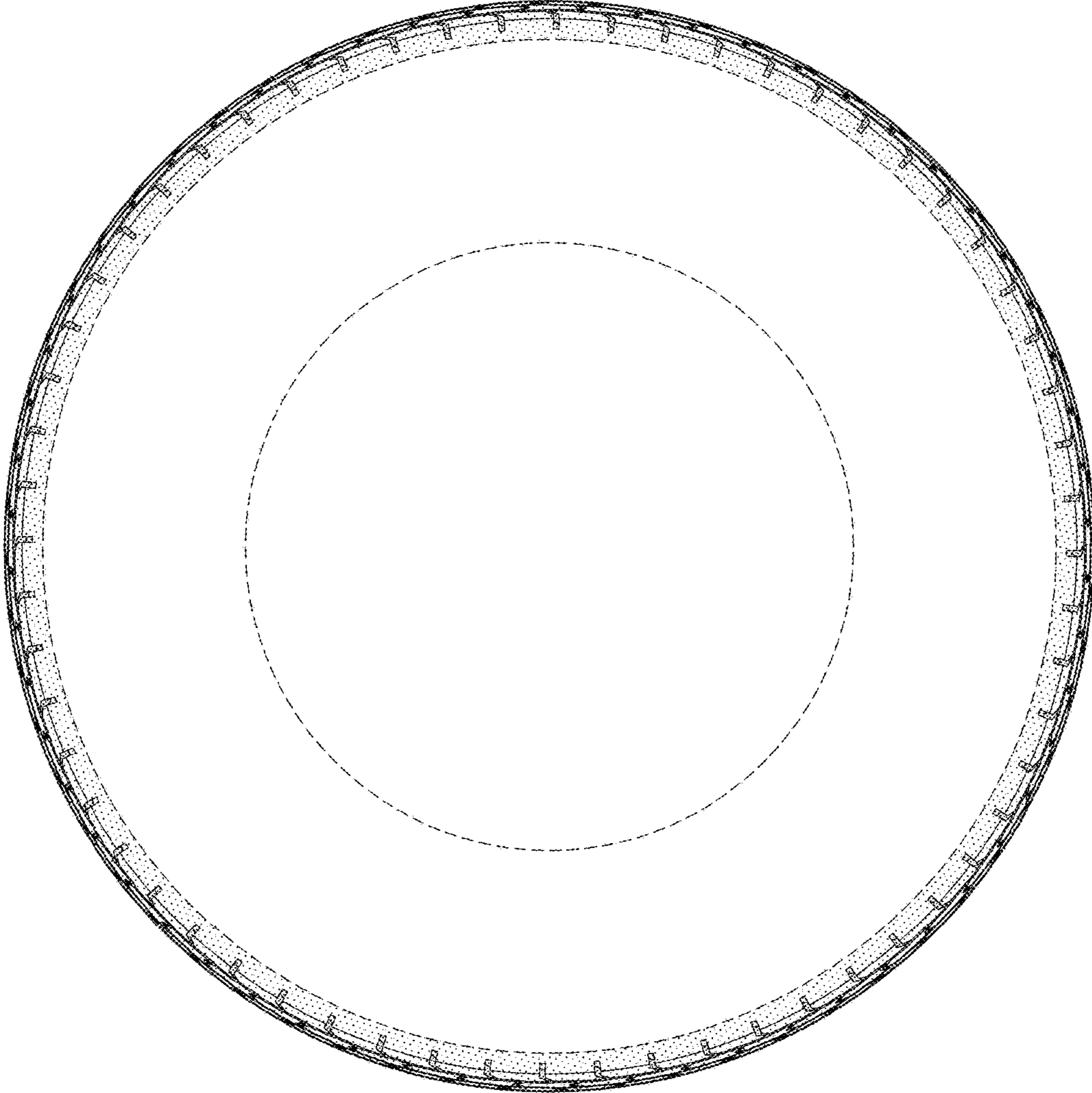


FIG-3

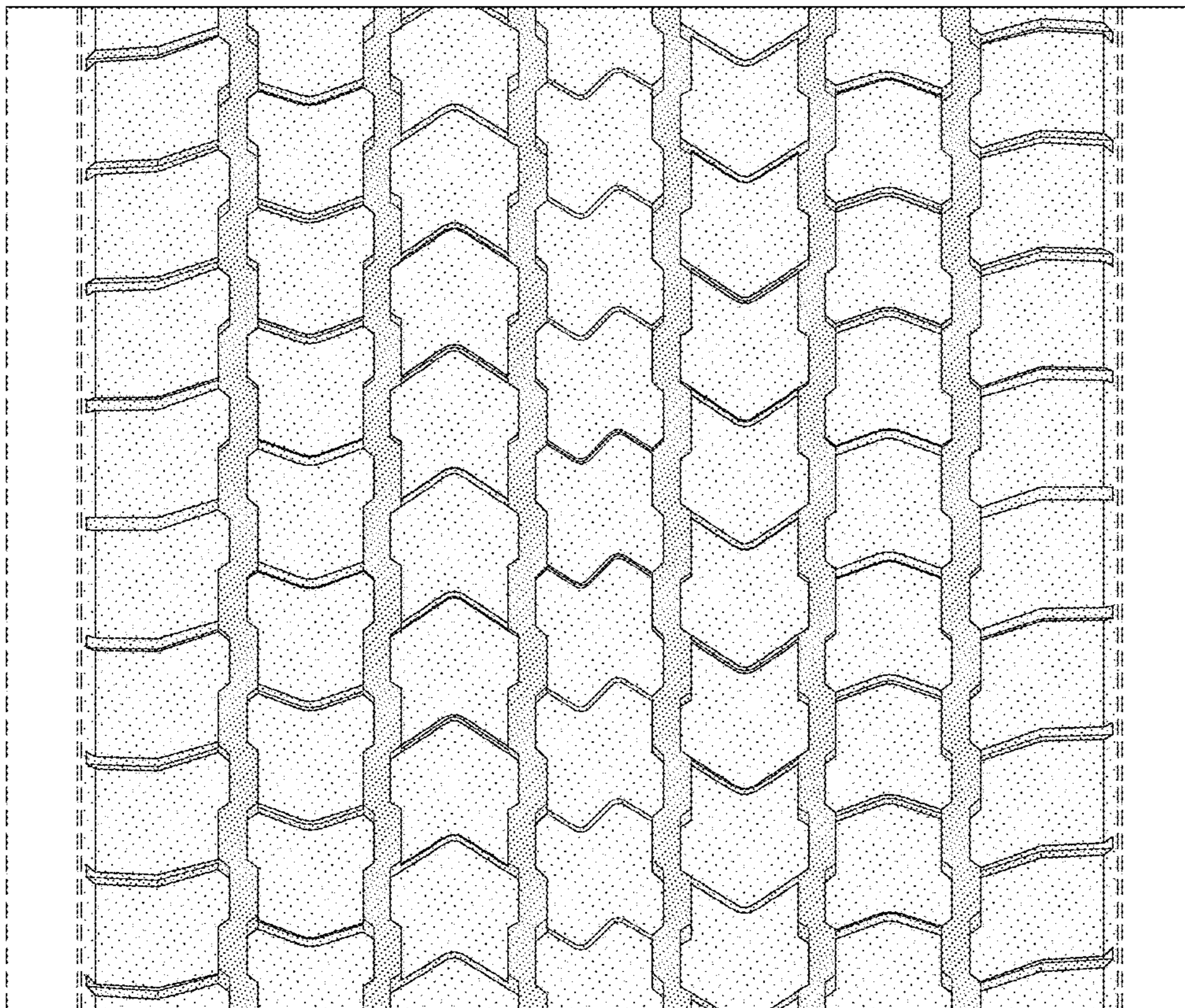


FIG-4

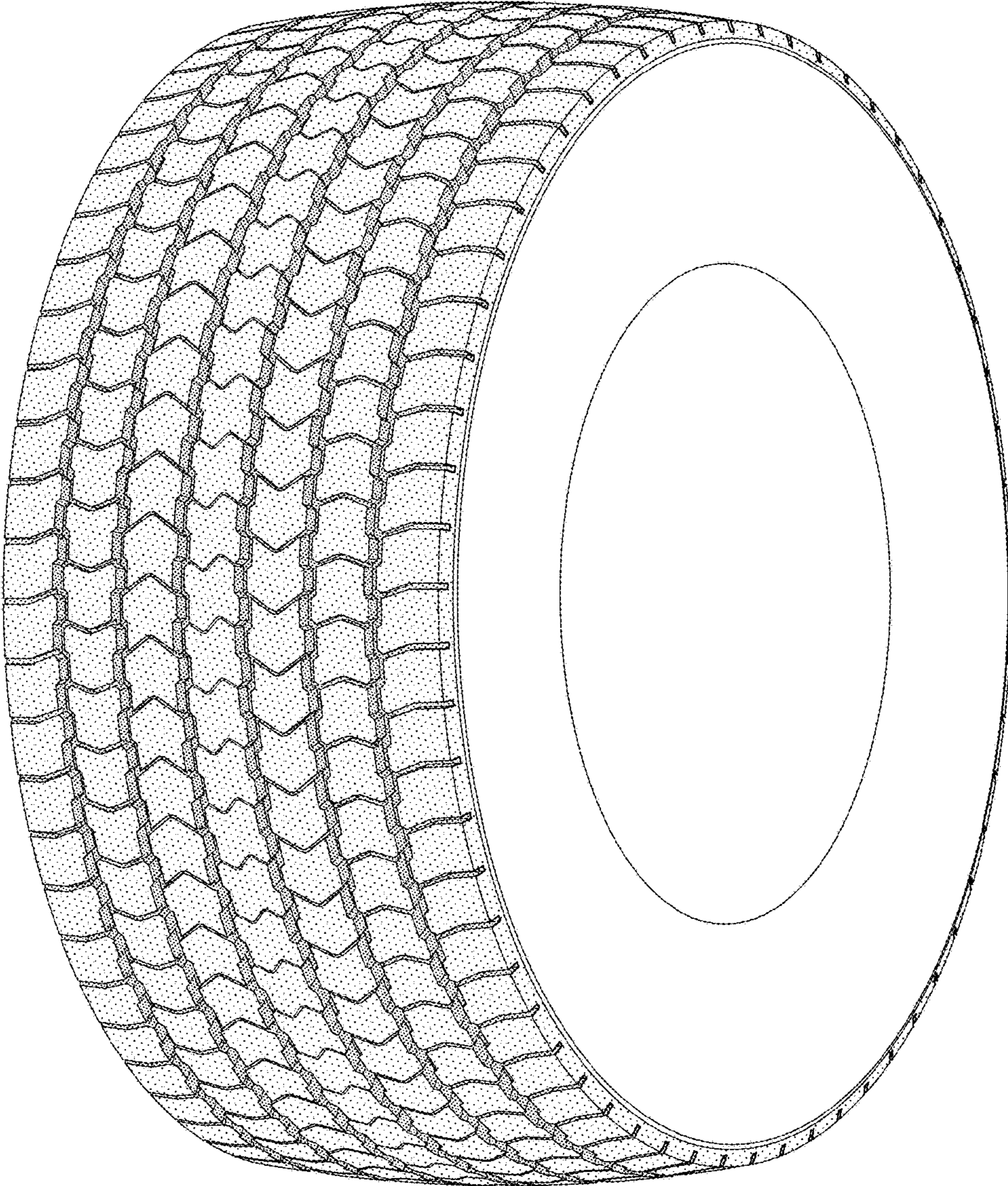


FIG-5

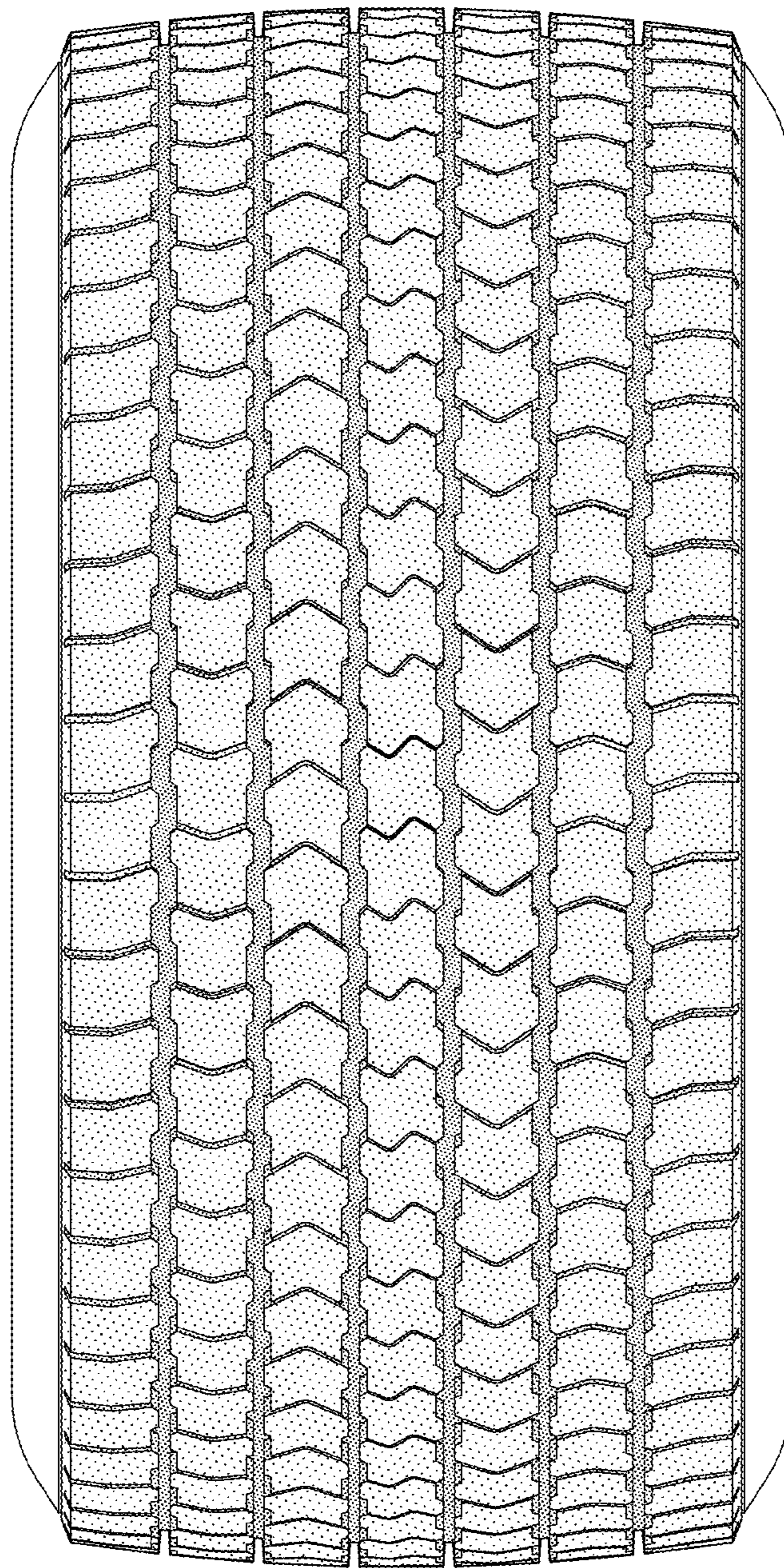


FIG-6