



US00D821297S

(12) **United States Design Patent**  
**Le et al.**

(10) **Patent No.:** **US D821,297 S**  
(45) **Date of Patent:** **\*\* Jun. 26, 2018**

- (54) **TIRE**
- (71) Applicant: **The Goodyear Tire & Rubber Company, Akron, OH (US)**
- (72) Inventors: **Phuoc Thuan Le, Attert (BE); Francois Pierre Charles Gerard Georges, Stavelot (BE); Jean-Noel Marsat, Mamer (LU); Olivier Rosset, Helmsange (LU); Didier Winkin, Bastogne (BE); Jaroslav Micek, Colmar-Berg (LU)**
- (73) Assignee: **The Goodyear Tire & Rubber Company, Akron, OH (US)**
- (\*\*) Term: **15 Years**
- (21) Appl. No.: **29/598,957**
- (22) Filed: **Mar. 30, 2017**
- (51) **LOC (11) Cl.** ..... **12-15**
- (52) **U.S. Cl.**  
USPC ..... **D12/588**
- (58) **Field of Classification Search**  
USPC ..... D12/586, 587, 588, 589, 590, 594, 600, D12/601  
CPC ..... B60C 2011/0388; B60C 11/04  
See application file for complete search history.

D528,500 S	9/2006	Le et al.	.....	D12/600
D531,115 S	* 10/2006	Ikeda	.....	D12/588
D534,484 S	1/2007	Feider et al.	.....	D12/584
D534,858 S	1/2007	Le et al.	.....	D12/553
D545,756 S	7/2007	Feider et al.	.....	D12/521
D554,053 S	* 10/2007	Feider	.....	D12/588
D555,081 S	* 11/2007	Feider	.....	D12/588
D581,347 S	11/2008	Feider et al.	.....	D12/523

(Continued)

*Primary Examiner* — Robert M. Spear  
(74) *Attorney, Agent, or Firm* — Robert N. Lipsik

(57) **CLAIM**

The ornamental design for a tire, as shown and described.

**DESCRIPTION**

FIG. 1 is a perspective view of a tire showing our new design, it being understood that the pattern repeats uniformly throughout the circumference of the tread;

FIG. 2 is a front elevational view thereof;

FIG. 3 is a right side elevational view thereof; the left side elevational view being identical thereto;

FIG. 4 is an enlarged fragmentary front elevational view thereof;

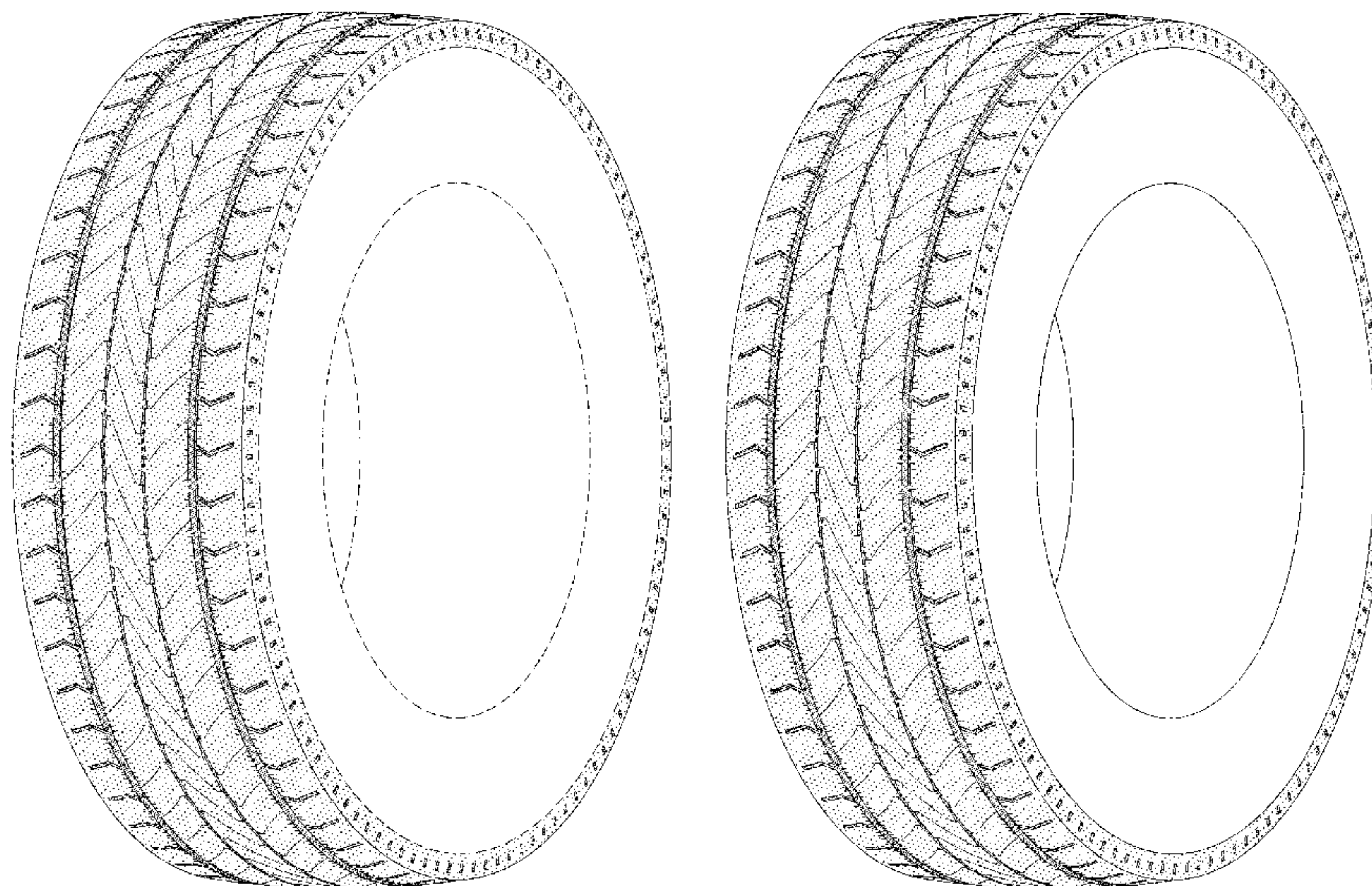
FIG. 5 is a perspective view of a second embodiment of a tire showing our new design, it being understood that the interior of the tire forms no part of the claim, that the pattern repeats uniformly throughout the circumference of the tread and that the opposite side view is identical thereto; and,

FIG. 6 is a front elevational view of a second embodiment, it being understood that an enlarged fragmentary view thereof would be substantially identical to that shown in FIG. 4, with the exception of the inclusion of the sidewall in solid lines.

In the drawings, the broken lines immediately adjacent to the outer edges of the tire shoulder represent boundaries of the claim, and the broken lines depict environmental subject matter only and form no part of the claimed design.

**1 Claim, 6 Drawing Sheets**

- (56) **References Cited**  
U.S. PATENT DOCUMENTS
- D304,557 S \* 11/1989 Ochiai ..... D12/588
- D370,439 S \* 6/1996 Feider ..... D12/588
- D392,605 S 3/1998 Le et al. .... D12/146
- D397,648 S \* 9/1998 Allen ..... D12/588
- D403,281 S 12/1998 Allen et al. .... D12/147
- D414,725 S 10/1999 Kemp, Jr. .... D12/143
- D448,709 S 10/2001 Le ..... D12/147
- D458,215 S 6/2002 Le ..... D12/600



(56)

**References Cited**

U.S. PATENT DOCUMENTS

D583,308	S	12/2008	Ludwig et al. ....	D12/588
D601,950	S *	10/2009	Pressley .....	D12/588
D604,230	S	11/2009	Brown et al. ....	D12/588
D609,169	S *	2/2010	Feider .....	D12/588
D609,170	S *	2/2010	Feider .....	D12/588
D647,040	S *	10/2011	Mathonet .....	D12/588
D648,264	S	11/2011	Le et al. ....	D12/588
D667,781	S *	9/2012	Georges .....	D12/588
D674,739	S *	1/2013	Georges .....	D12/586
D738,294	S	9/2015	Koog .....	D12/584
D770,371	S *	11/2016	Mathonet .....	D12/601
D772,793	S *	11/2016	Wang .....	D12/588
D779,420	S	2/2017	Krier et al. ....	D12/601
D785,551	S *	5/2017	Farinelle .....	D12/588
D789,277	S *	6/2017	Dixon .....	D12/518
9,751,365	B2 *	9/2017	Mathonet .....	B60C 11/04
D810,006	S *	2/2018	Mayni .....	D12/588

\* cited by examiner



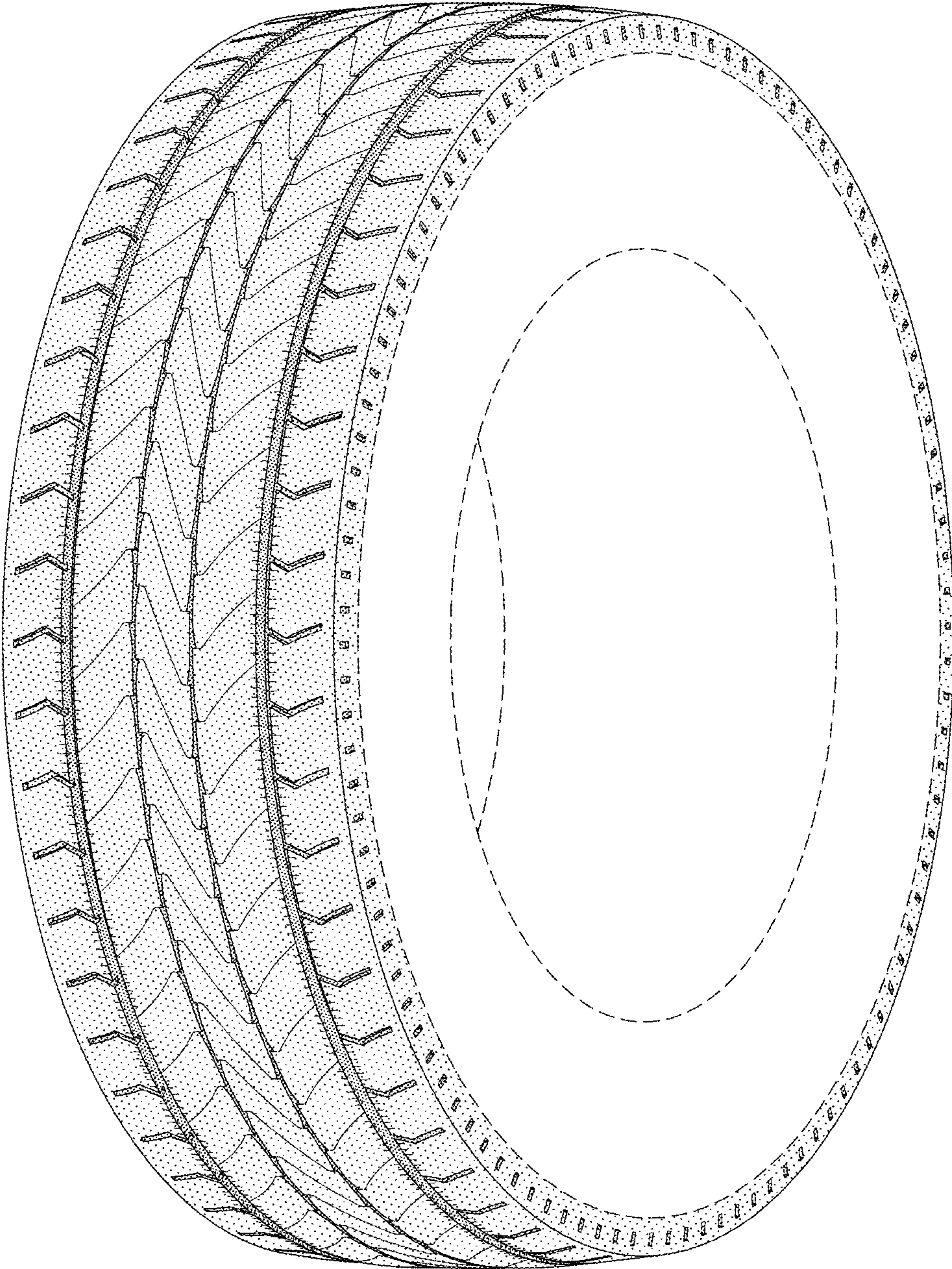


FIG-1

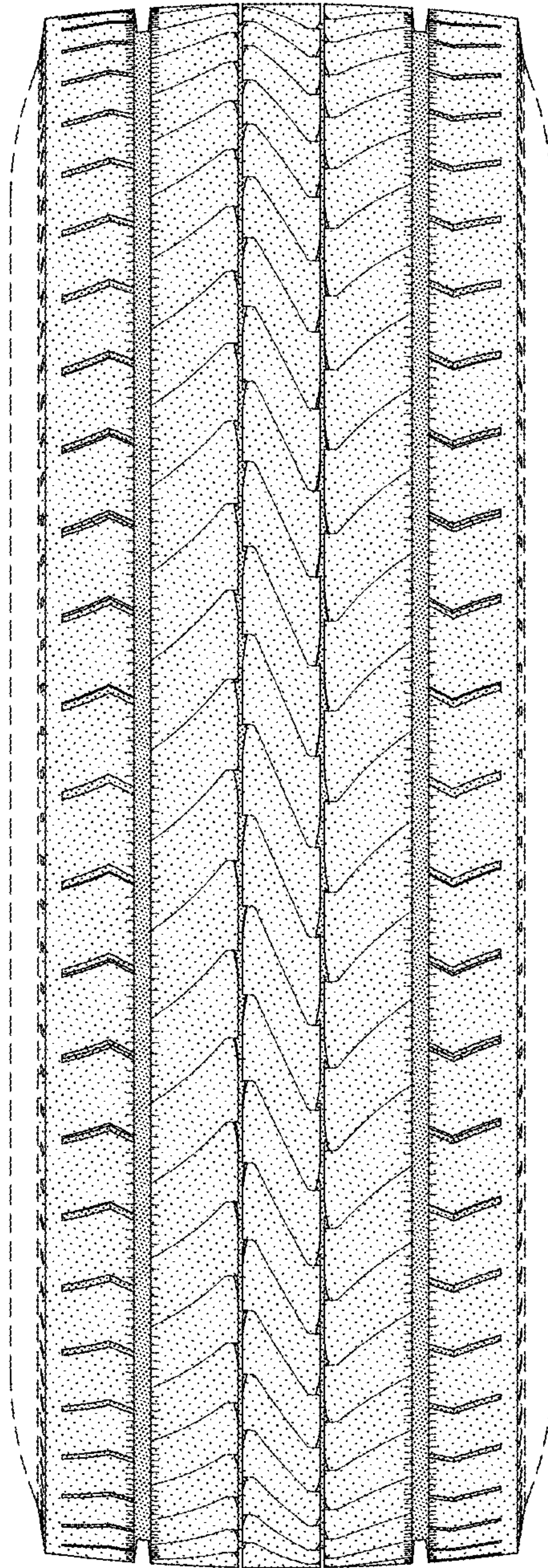


FIG-2



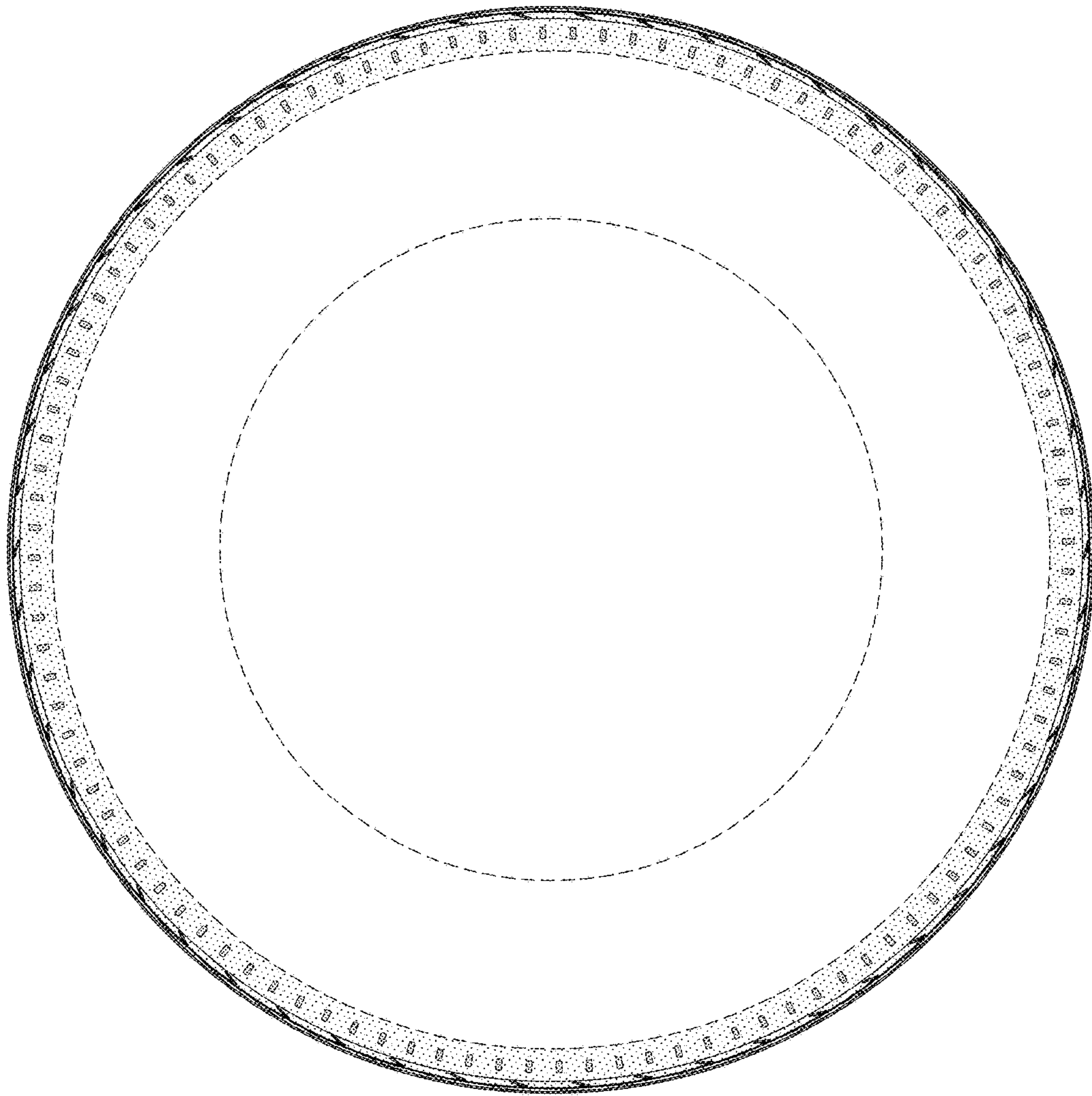


FIG-3

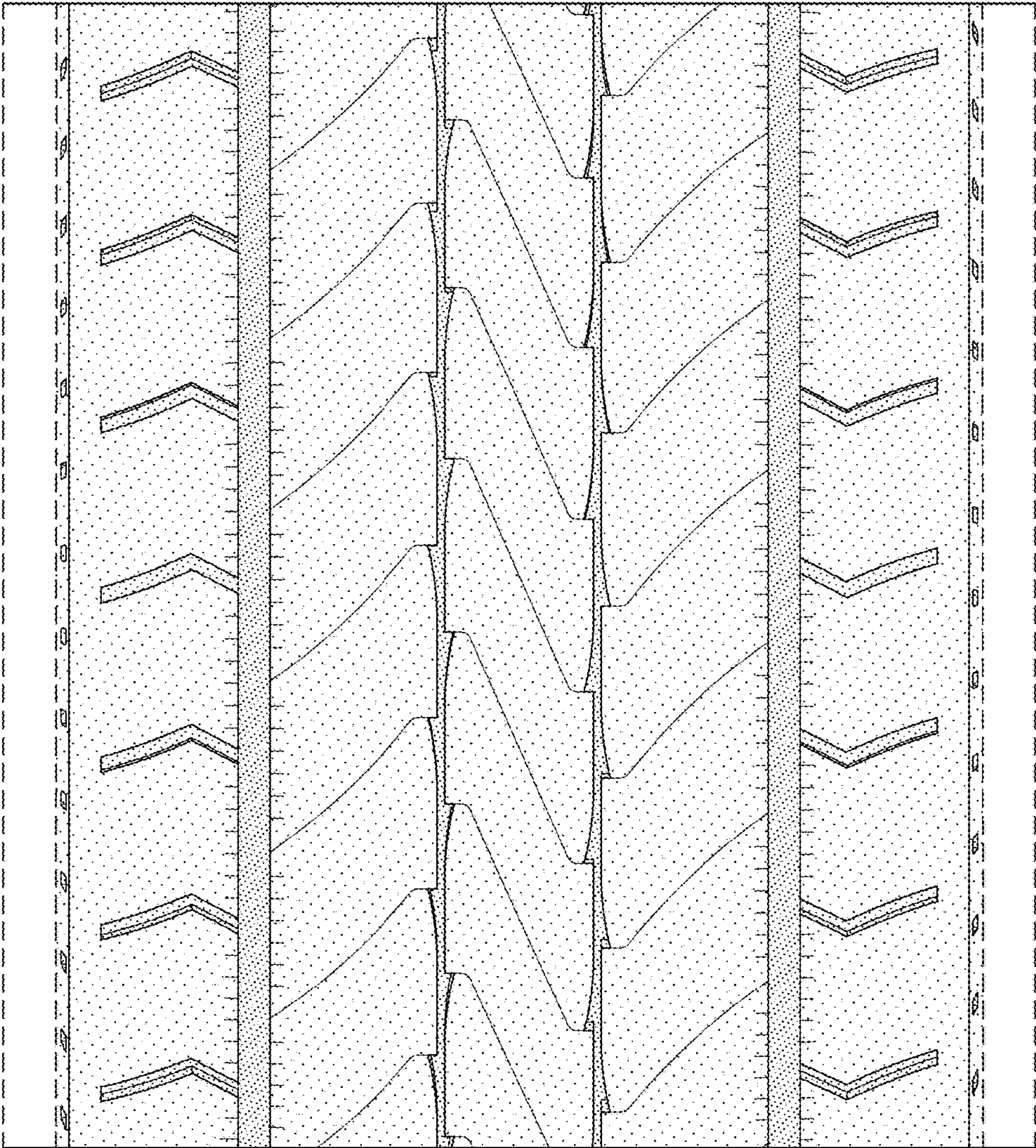


FIG-4



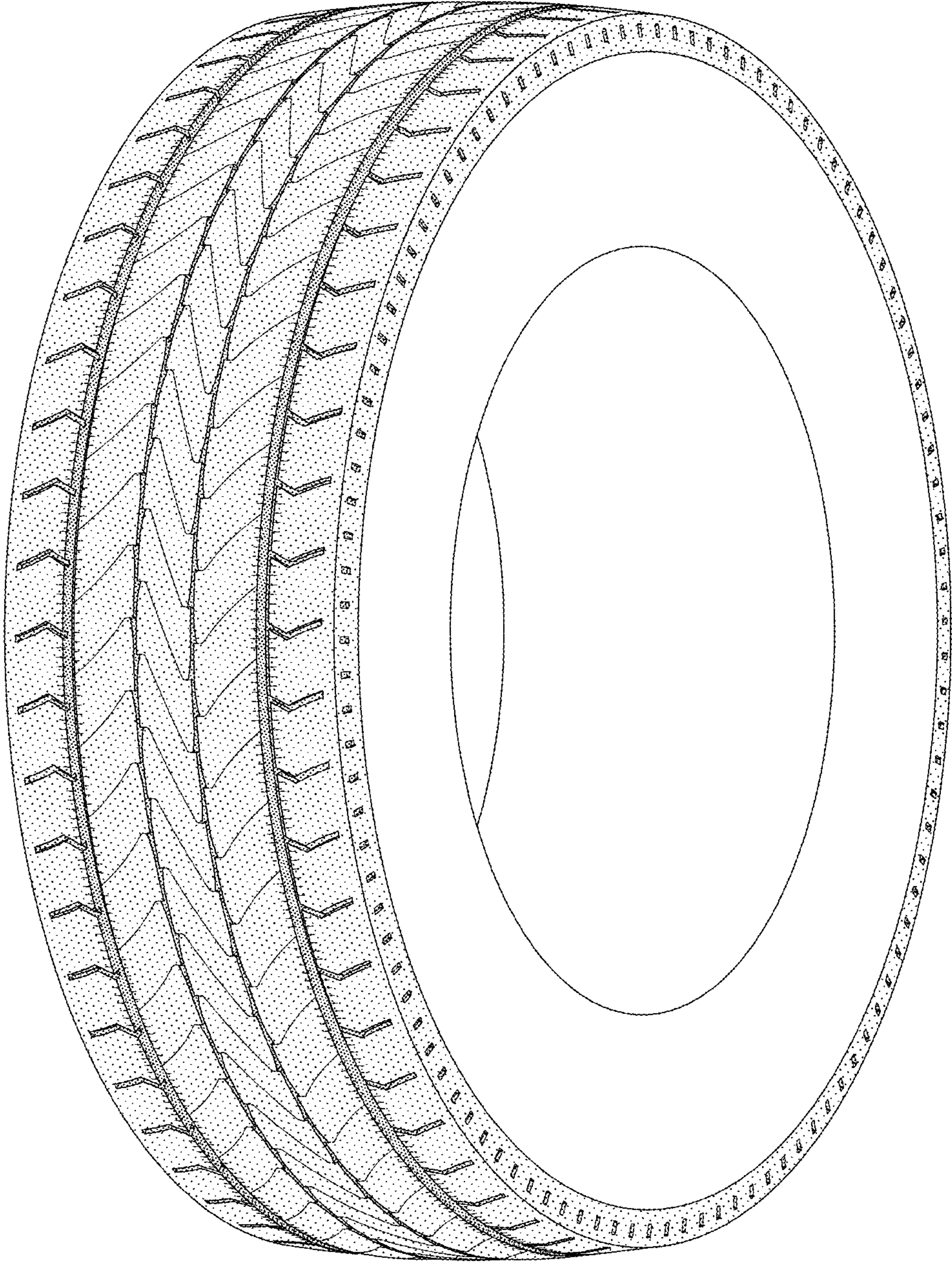


FIG-5

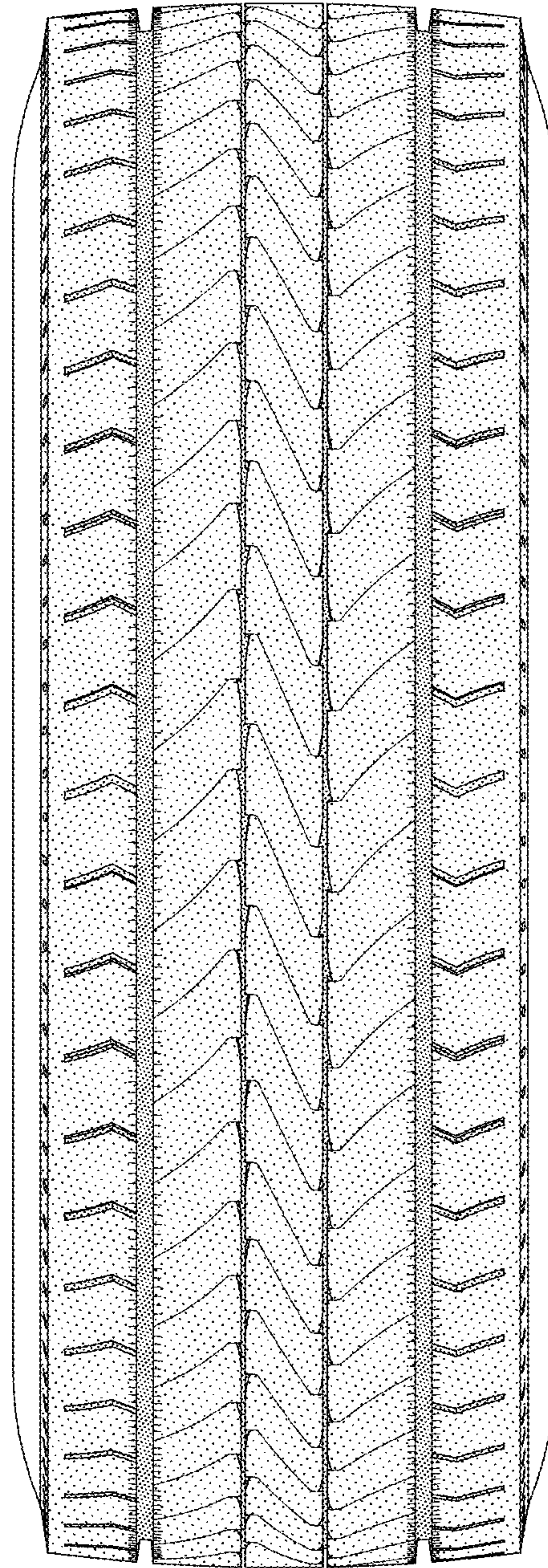


FIG-6