



US00D821291S

(12) **United States Design Patent** (10) **Patent No.:** **US D821,291 S**  
**Jung** (45) **Date of Patent:** **\*\* Jun. 26, 2018**

(54) **ELECTRONIC DEVICE MOUNT FOR VEHICLES**

*Primary Examiner* — Katrina A Betton

(74) *Attorney, Agent, or Firm* — Heedong Chae; Lucem, PC

(71) Applicant: **Soo Ha Jung**, Seoul (KR)

(72) Inventor: **Soo Ha Jung**, Seoul (KR)

(57) **CLAIM**

(73) Assignee: **SPIGEN KOREA CO., LTD.**, Seoul (KR)

The ornamental design for an electronic device mount for vehicles, as shown and described.

(\*\*) Term: **15 Years**

(21) Appl. No.: **29/611,516**

(22) Filed: **Jul. 21, 2017**

**DESCRIPTION**

**Related U.S. Application Data**

(63) Continuation of application No. 29/610,924, filed on Jul. 17, 2017.

(51) **LOC (11) Cl.** ..... **12-16**

(52) **U.S. Cl.**  
USPC ..... **D12/415**

(58) **Field of Classification Search**  
USPC ..... D12/415, 416, 417, 418, 419, 420, 400, D12/191, 423, 253; D6/513, 514, 611, D6/553, 556, 559; D7/601–602  
(Continued)

FIG. 1 is a front perspective view of an electronic device mount for a vehicle in a closed position, the mount being comprised of a base and a cover, showing my new design; FIG. 2 is a rear perspective view thereof; FIG. 3 is a front elevational view thereof; FIG. 4 is a rear elevational view thereof; FIG. 5 is a left side elevational view thereof; FIG. 6 is a right side elevational view thereof; FIG. 7 is a top plan view thereof; FIG. 8 is a bottom plan view thereof; FIG. 9 is a front exploded perspective view thereof; FIG. 10 is a front perspective view of a cover; FIG. 11 is a front perspective view of a base; FIG. 12 is a rear exploded perspective view thereof; FIG. 13 is a rear perspective view of a cover; FIG. 14 is a rear perspective view of a base; FIG. 15 is a front perspective view of the electronic device mount for the vehicle in an open position; FIG. 16 is a rear-perspective view thereof; FIG. 17 is a front elevational view thereof; FIG. 18 is a rear elevational view thereof; FIG. 19 is a left side elevational view thereof; FIG. 20 is a right side elevational view thereof; FIG. 21 is a top plan view thereof; FIG. 22 is a bottom plan view thereof; and, FIG. 23 is a front perspective view thereof, illustrating an electronic device in broken lines. The broken line showing of environment is for illustrative purposes only and forms no part of the claimed design.

(56) **References Cited**

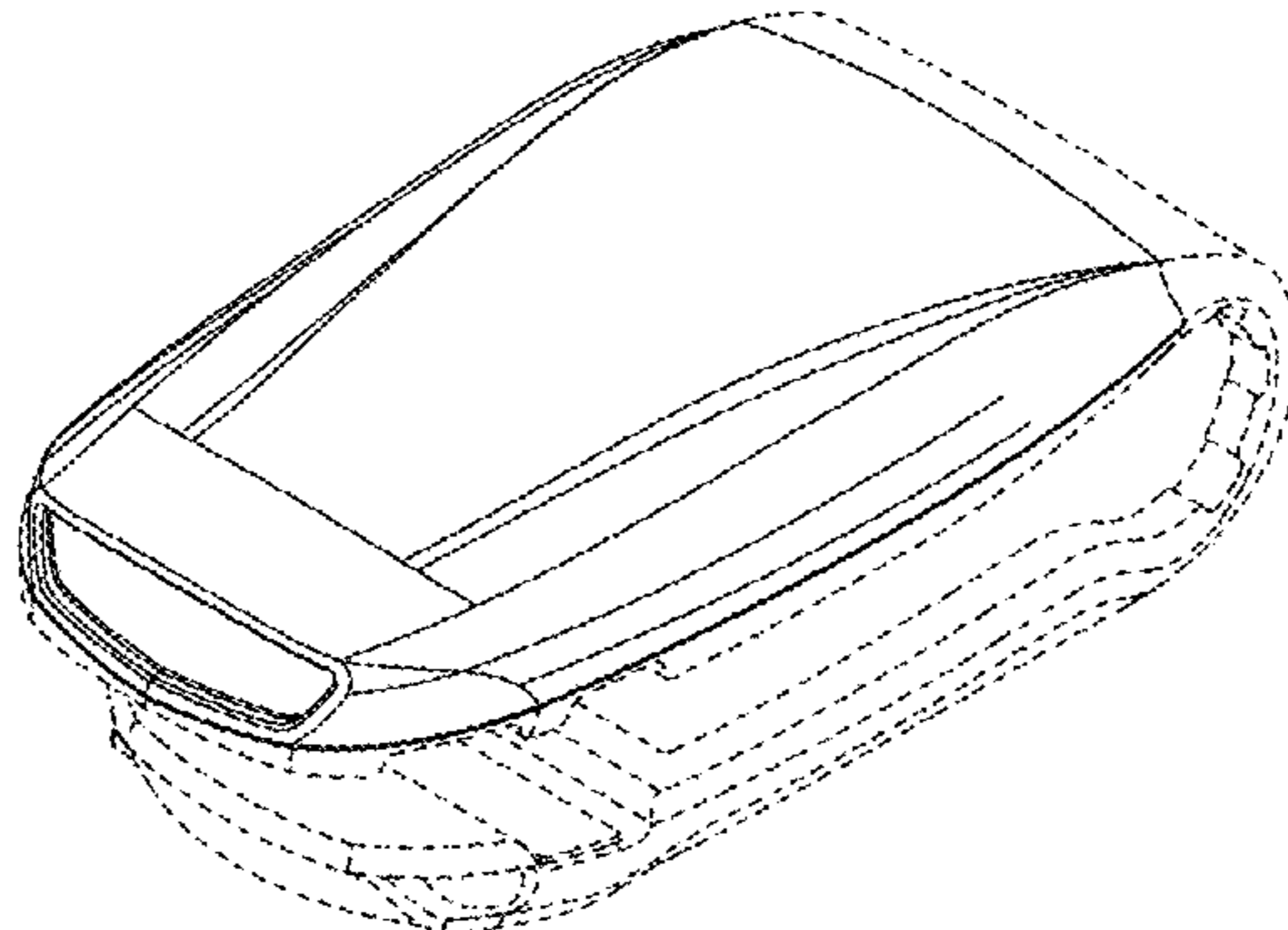
**U.S. PATENT DOCUMENTS**

D234,851 S 4/1975 Tyson et al.  
D245,520 S 8/1977 Smith  
(Continued)

**OTHER PUBLICATIONS**

“Spigen Kuel Stealth Car Mount Universal Phone Holder for iPhone 7 / 7 Plus / 6S / 6S Plus / Galaxy S8 / S8 Plus / Galaxy S7 / Galaxy S7 Edge / LG / HTC / Nexus and More”, [https://www.amazon.com/SpigenStealthUniversalHolderiPhone/dp/B00RDQVPTY/ref=cm\\_cr\\_ar\\_p\\_d\\_product\\_top?ie=UTF&](https://www.amazon.com/SpigenStealthUniversalHolderiPhone/dp/B00RDQVPTY/ref=cm_cr_ar_p_d_product_top?ie=UTF&), Earliest review date of Jun. 9, 2015.

**1 Claim, 23 Drawing Sheets**



(58) **Field of Classification Search**  
 CPC ..... B60R 11/02; B60R 2011/0005  
 See application file for complete search history.

(56) **References Cited**

U.S. PATENT DOCUMENTS

D301,632 S	6/1989	Lohrentz
D308,730 S	6/1990	Nakagawa
D356,798 S	3/1995	Rudkiewicz et al.
D381,338 S	7/1997	Johansson
D409,992 S	5/1999	Mockett
D517,402 S	3/2006	Cairns
D518,480 S	4/2006	Zheng
D536,124 S	1/2007	Liao
D556,363 S	11/2007	Komar
D636,927 S	4/2011	Lin
D645,033 S	9/2011	Quong et al.
D649,153 S	11/2011	Symons
D667,042 S	9/2012	Shen
D677,707 S	3/2013	Shen
D690,707 S	10/2013	Minn et al.
D692,012 S	10/2013	Thorne
D699,242 S	2/2014	Hu
D700,607 S	3/2014	Cederstrom
D714,774 S	10/2014	Baumann
D716,787 S	11/2014	Takabatake
D717,289 S	11/2014	Takabatake

D720,759 S	1/2015	Deng et al.	
D721,074 S	1/2015	Harris	
D726,175 S	4/2015	Tsai et al.	
D731,879 S	6/2015	Williamson	
D733,115 S	6/2015	Aspinall	
D739,382 S	9/2015	Niho	
D740,295 S	10/2015	Alegiani	
D740,799 S	10/2015	Fan	
D741,313 S	10/2015	Moon	
D742,961 S	11/2015	Backs	
D750,633 S	3/2016	Minn et al.	
D753,643 S	4/2016	Kim et al.	
D754,668 S	4/2016	Manabe et al.	
D756,346 S	5/2016	Kim	
D768,125 S	10/2016	Kim	
D780,667 S *	3/2017	Kim	D12/415
D781,773 S *	3/2017	Kim	D12/415
D783,012 S	4/2017	Lee	
9,637,051 B2 *	5/2017	Dayan	B60R 1/00
D796,421 S *	9/2017	Huang	D12/415
D803,758 S *	11/2017	Giordano	D12/223
D805,021 S *	12/2017	Cunningham	D12/415
9,834,150 B1 *	12/2017	Song	B60R 7/06
9,868,532 B2 *	1/2018	Balmer	B64D 11/0638
2012/0174375 A1 *	7/2012	McLeod	F16M 11/041 29/428
2016/0288730 A1 *	10/2016	Lee	B60R 11/02

\* cited by examiner

FIG. 1

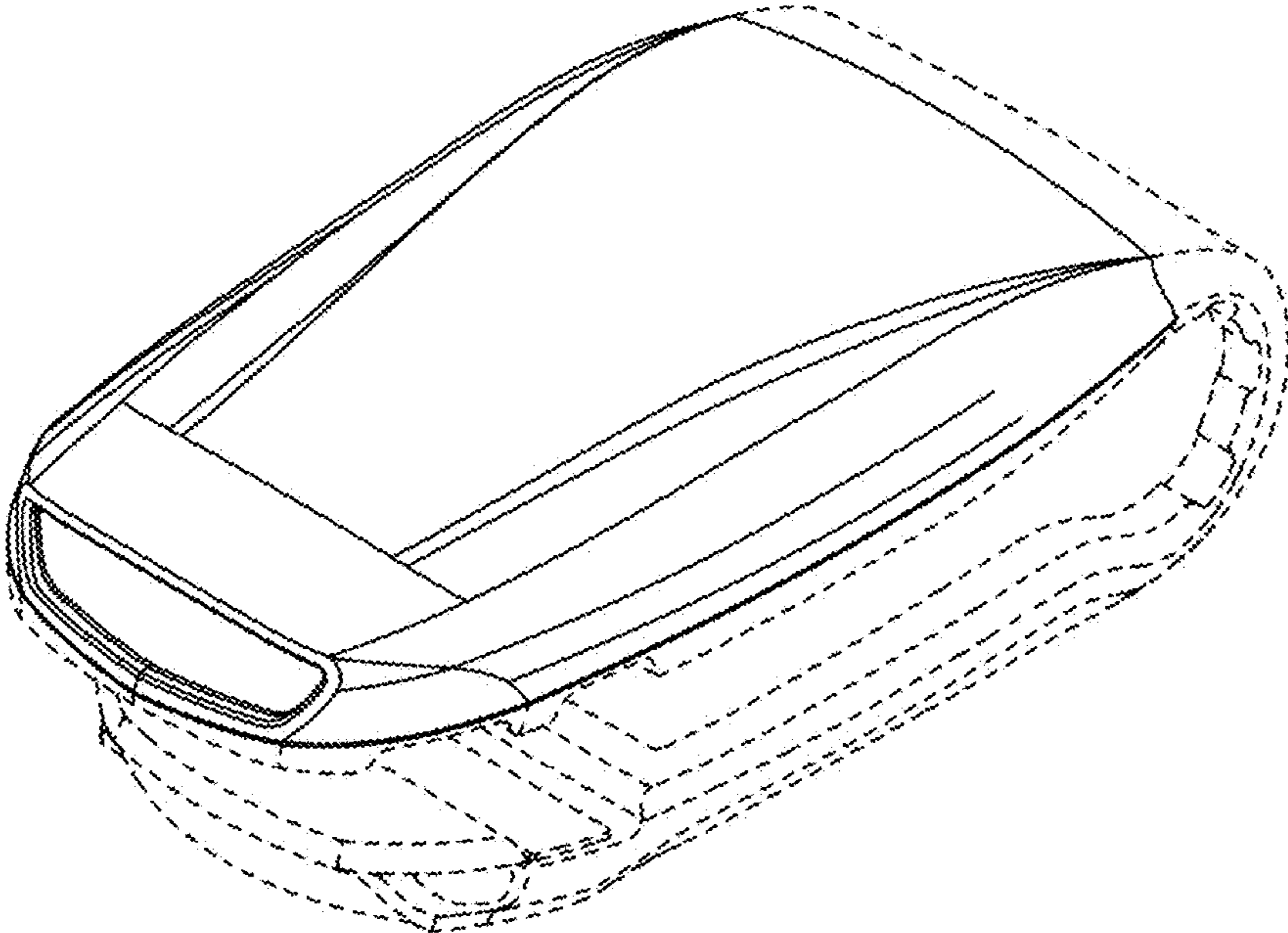


FIG. 2

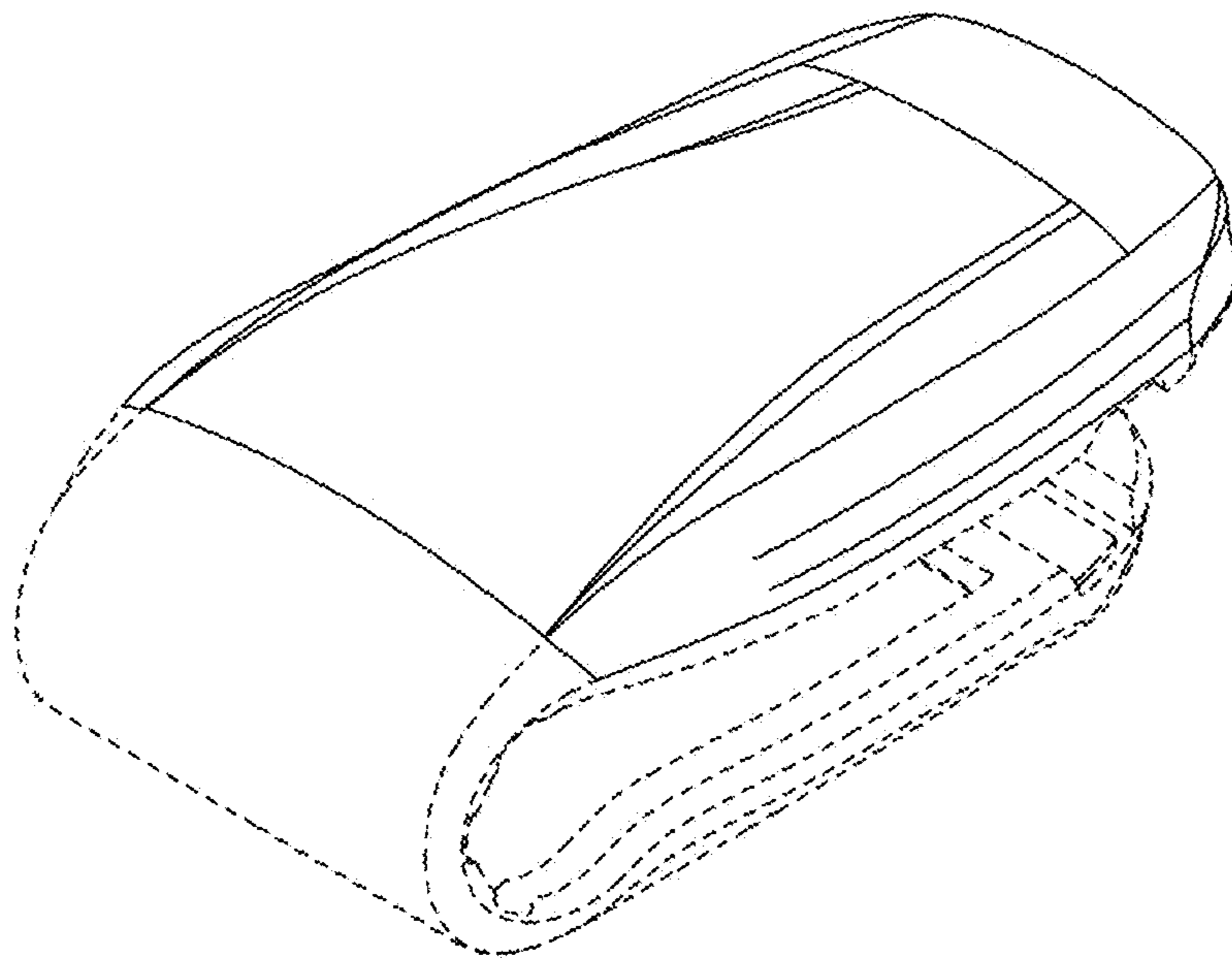


FIG. 3

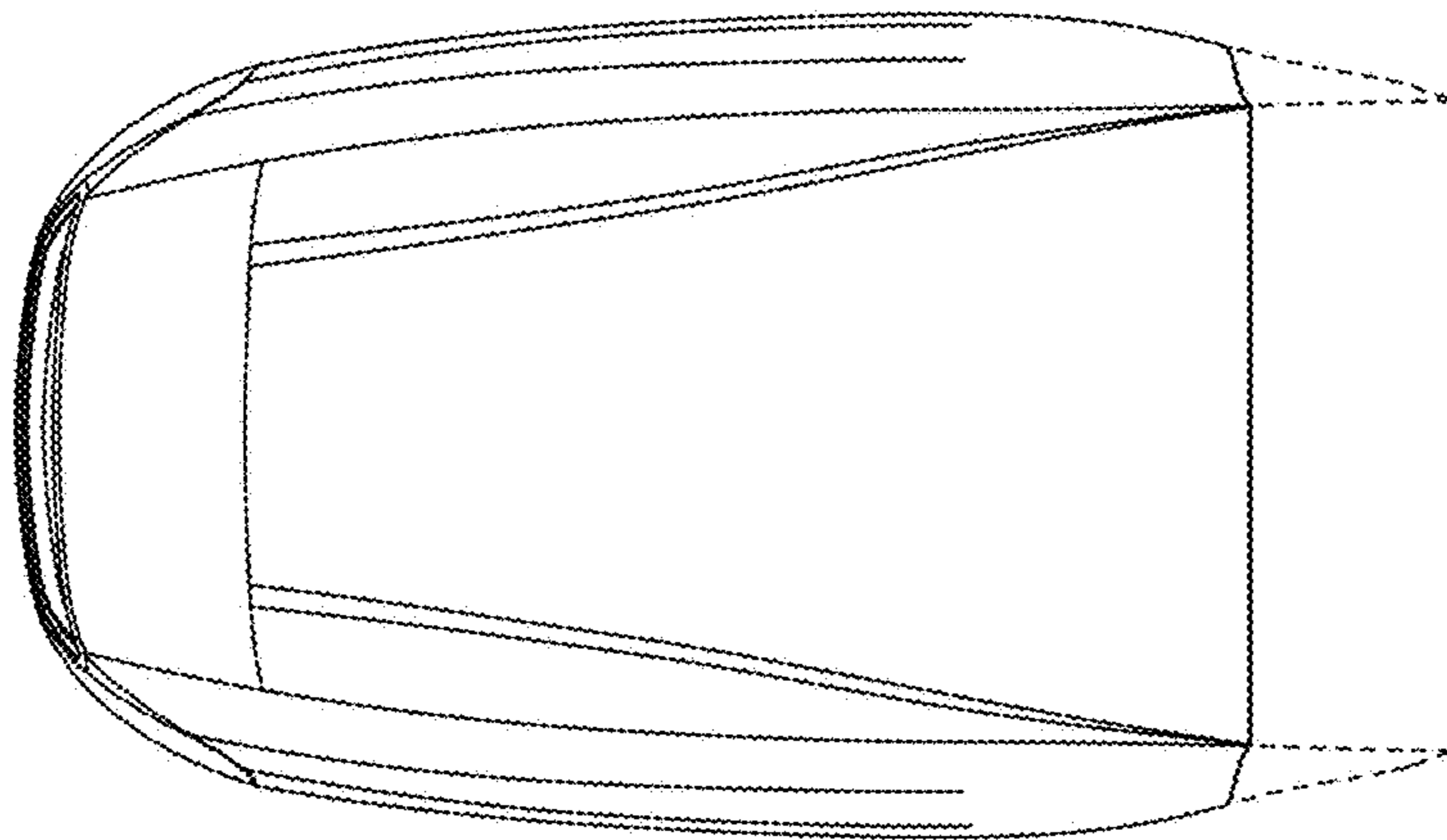


FIG. 4

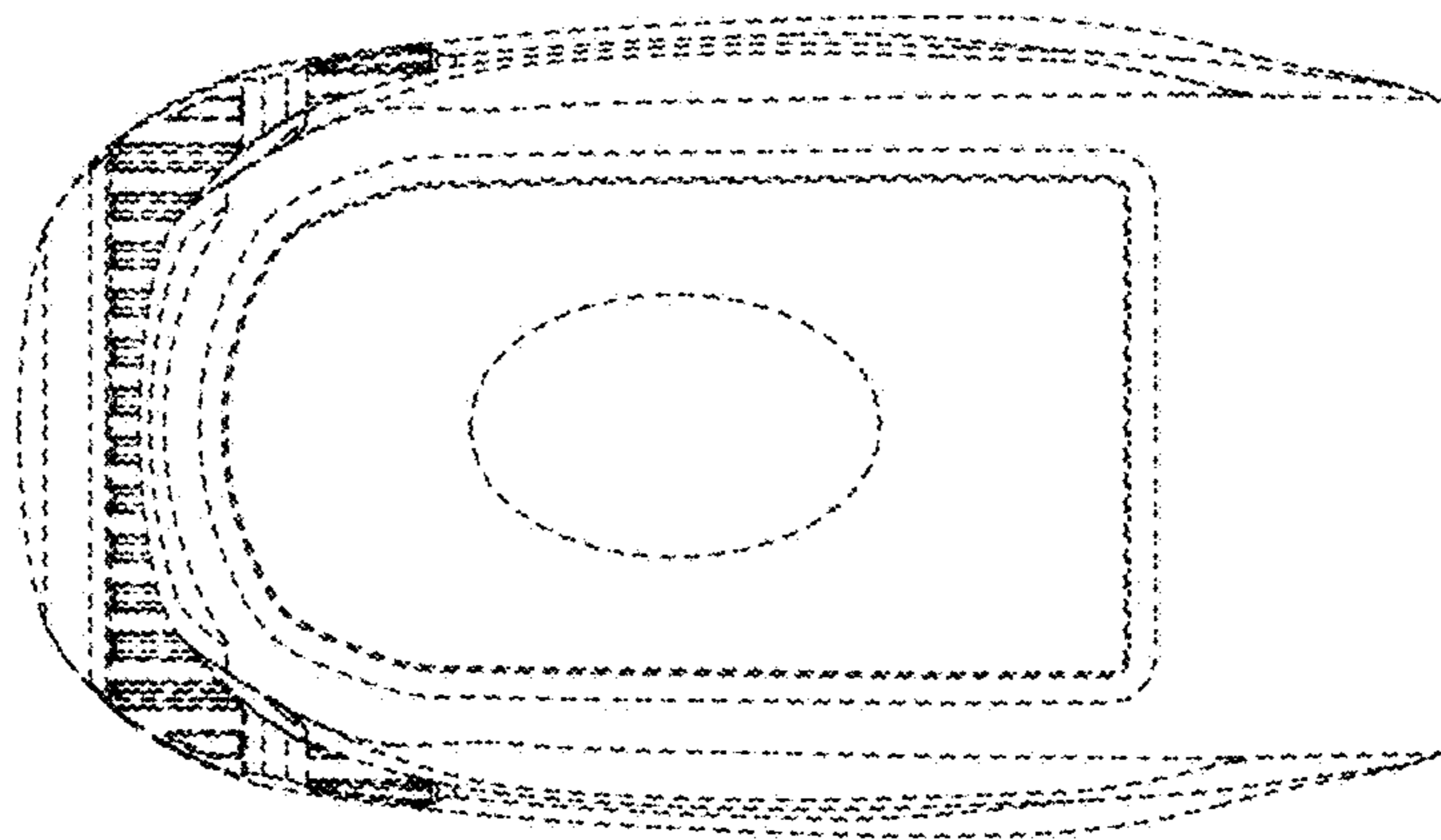


FIG. 5

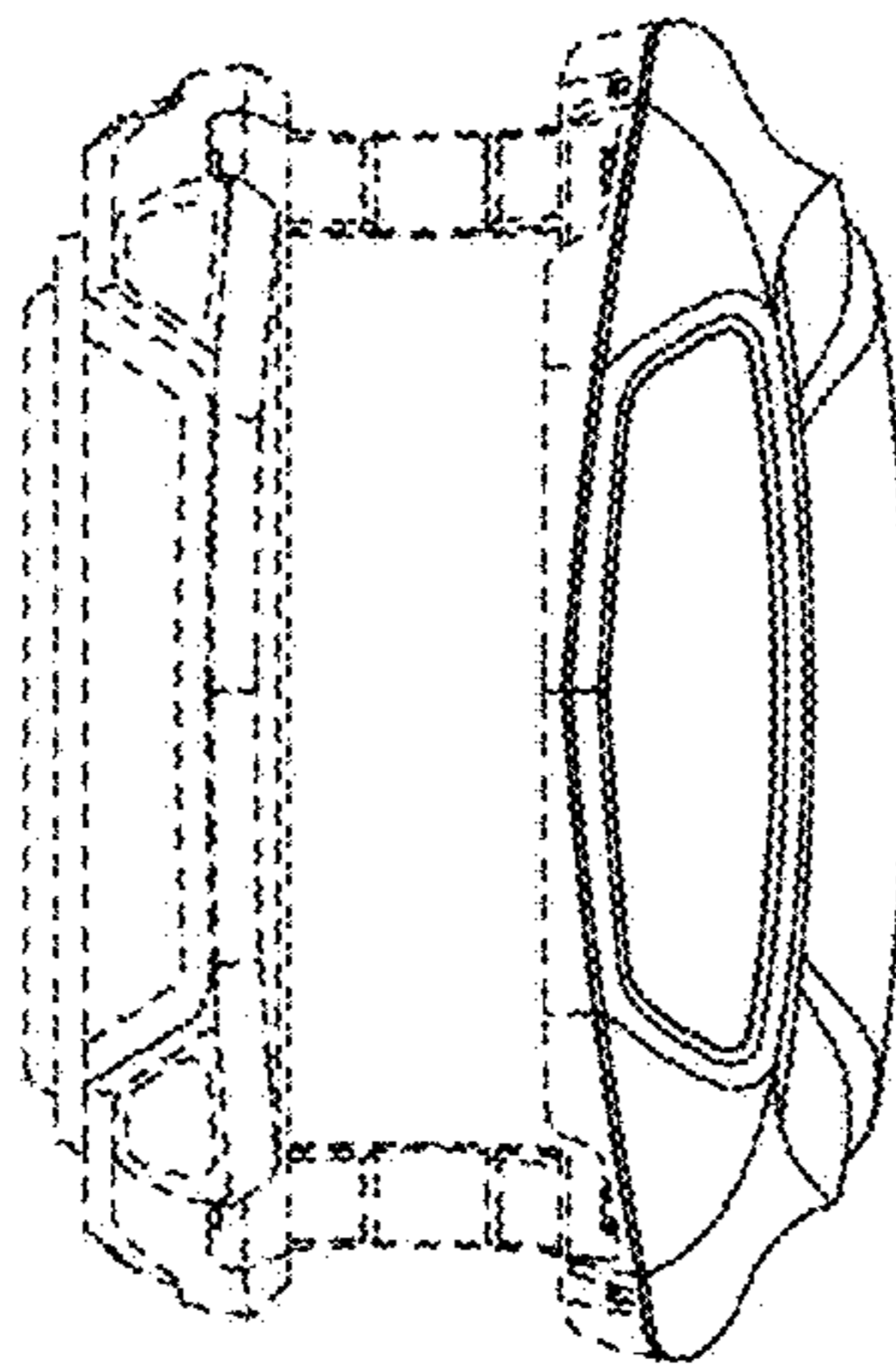


FIG. 6

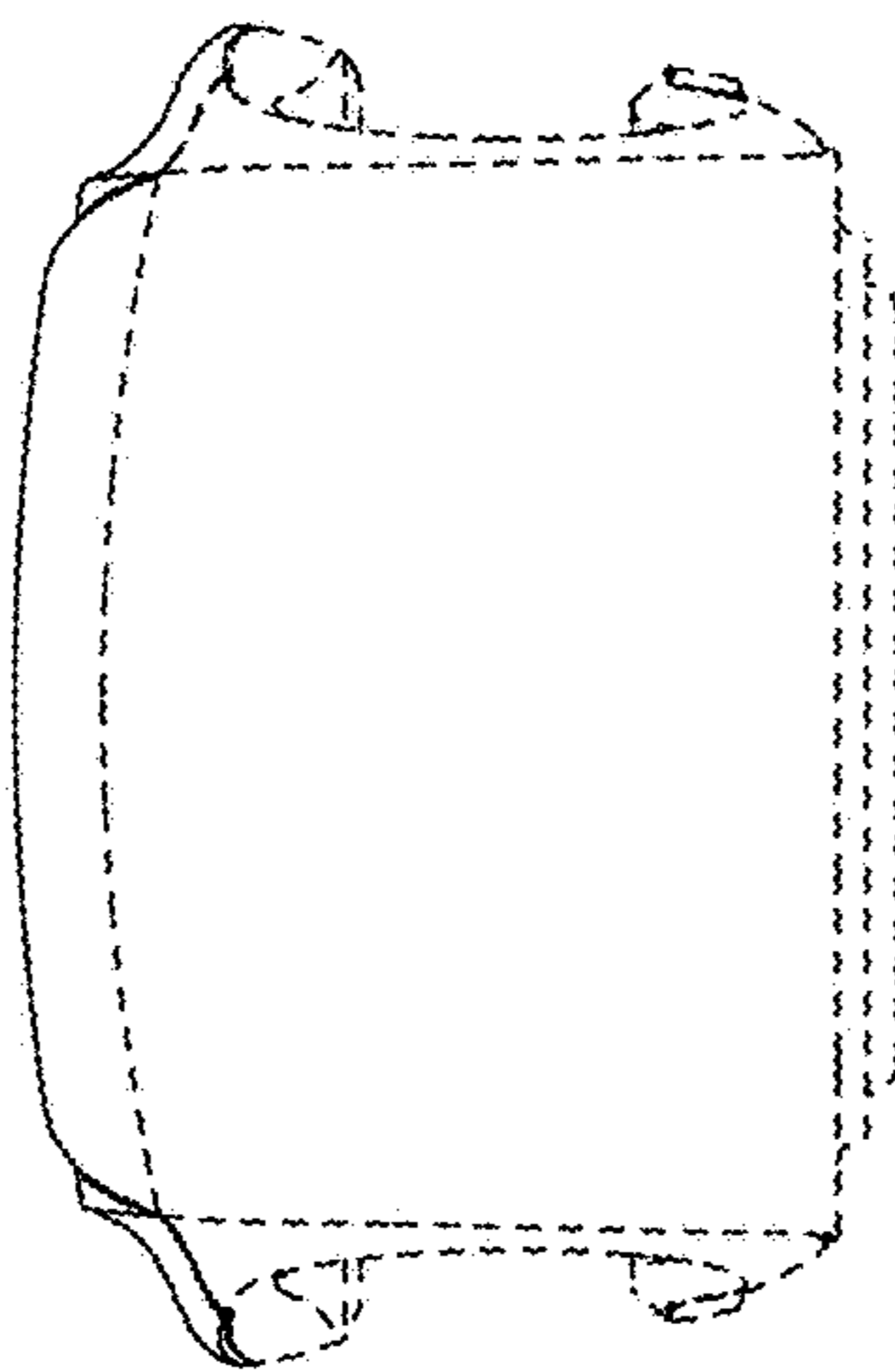




FIG. 7

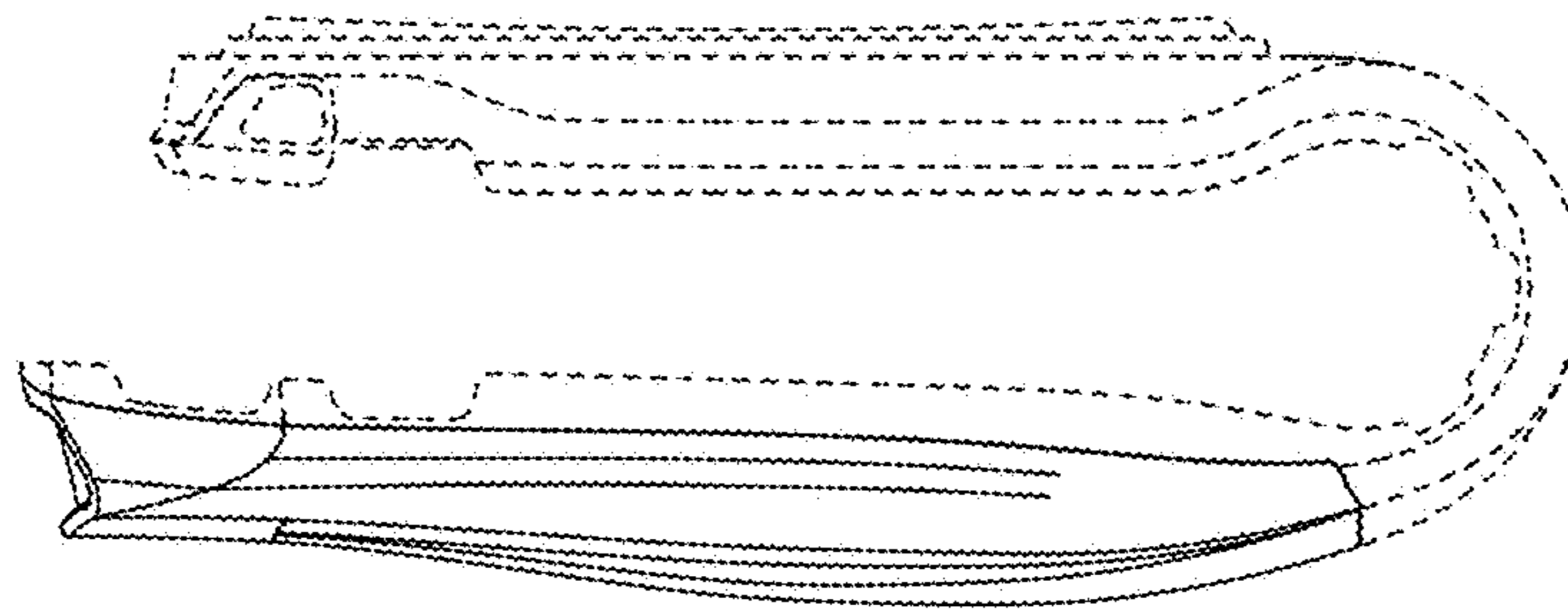


FIG. 8

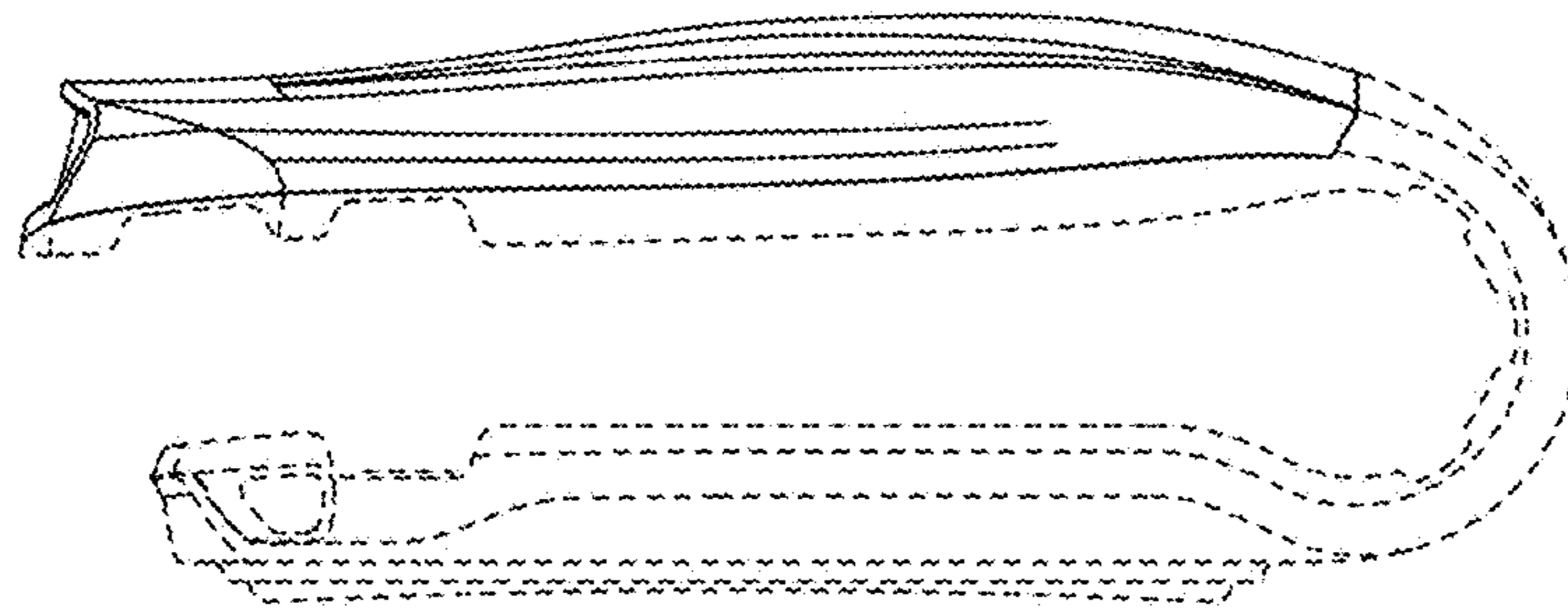


FIG. 9

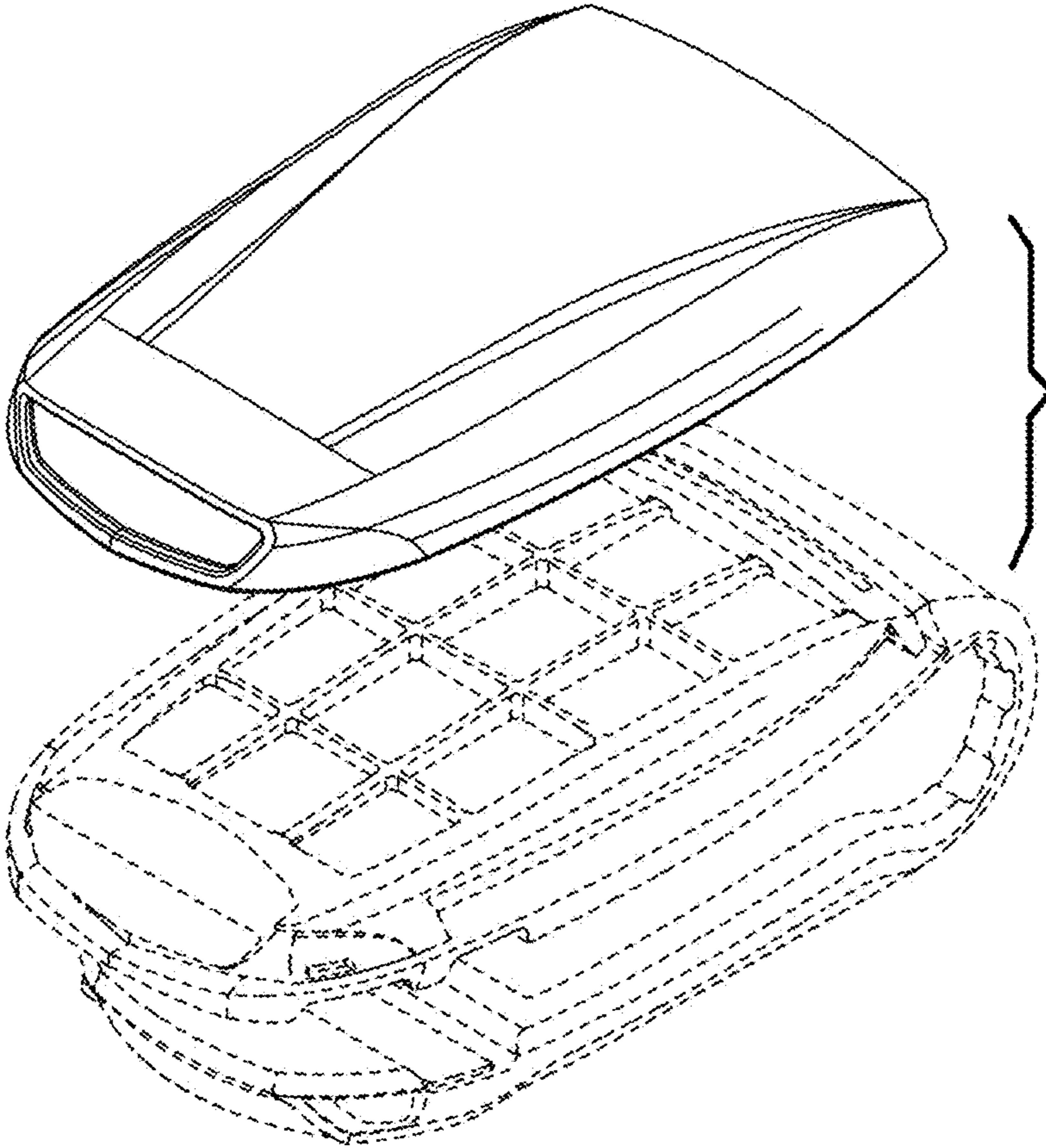


FIG. 10

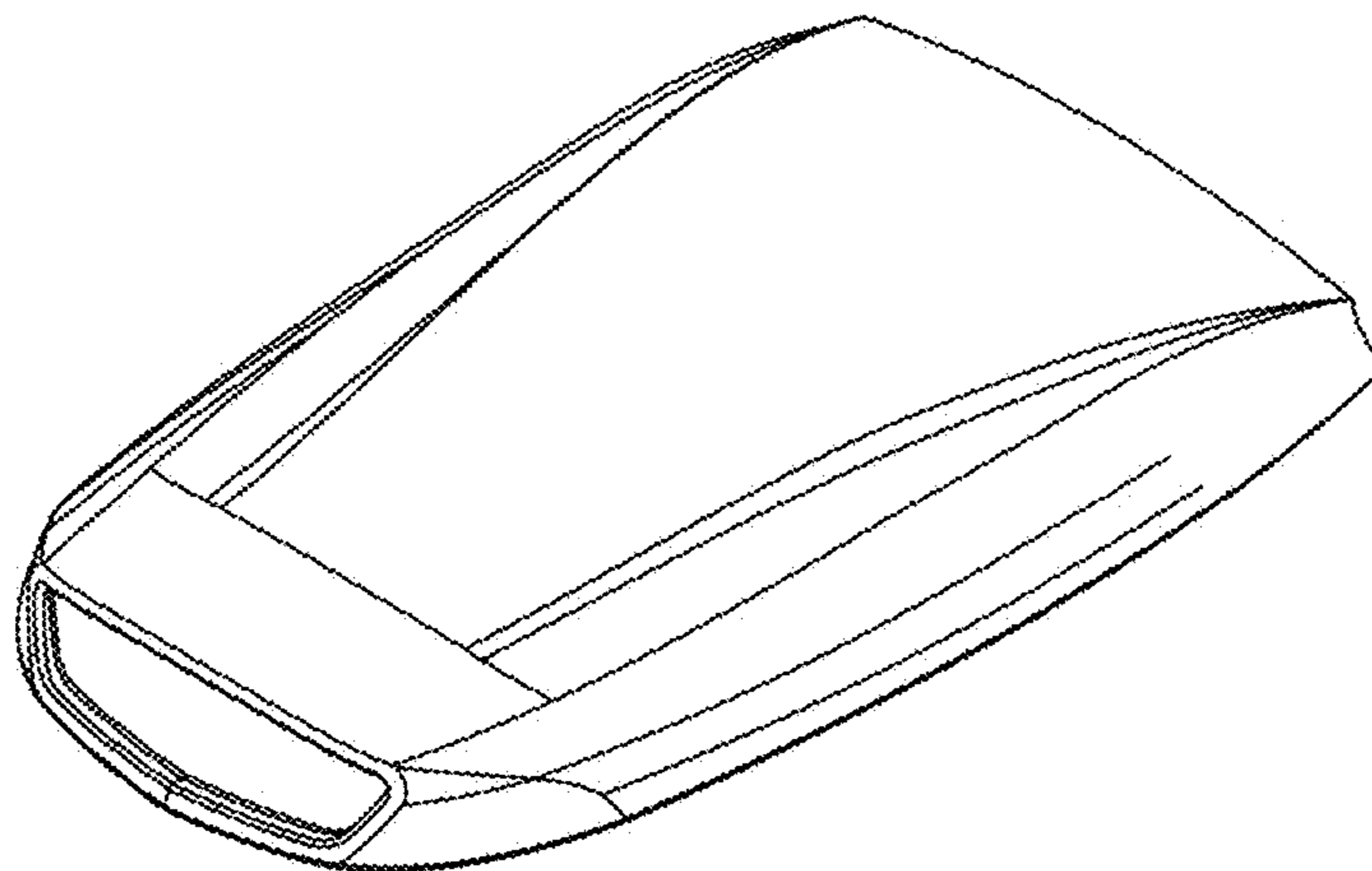


FIG. 11

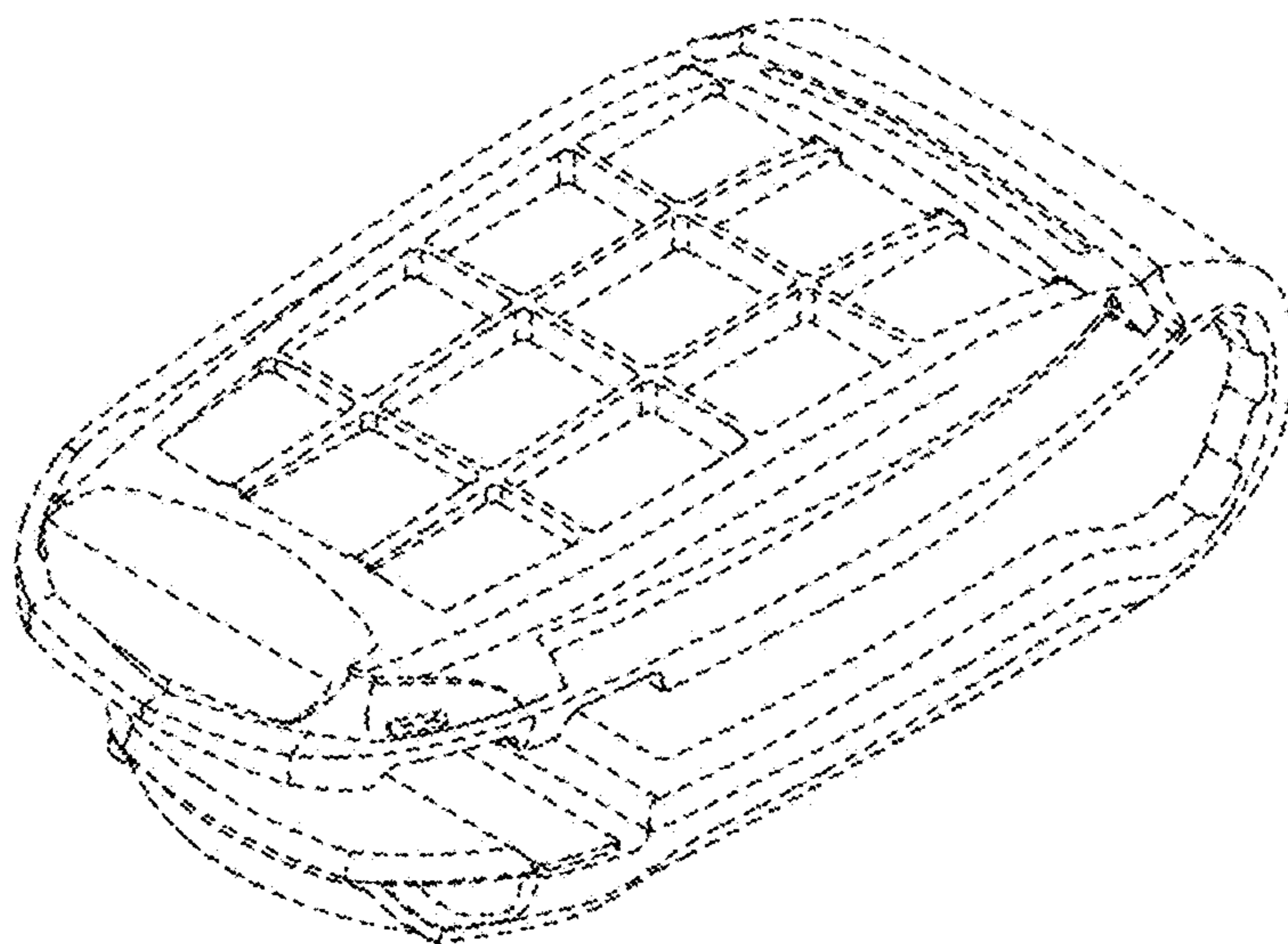


FIG. 12

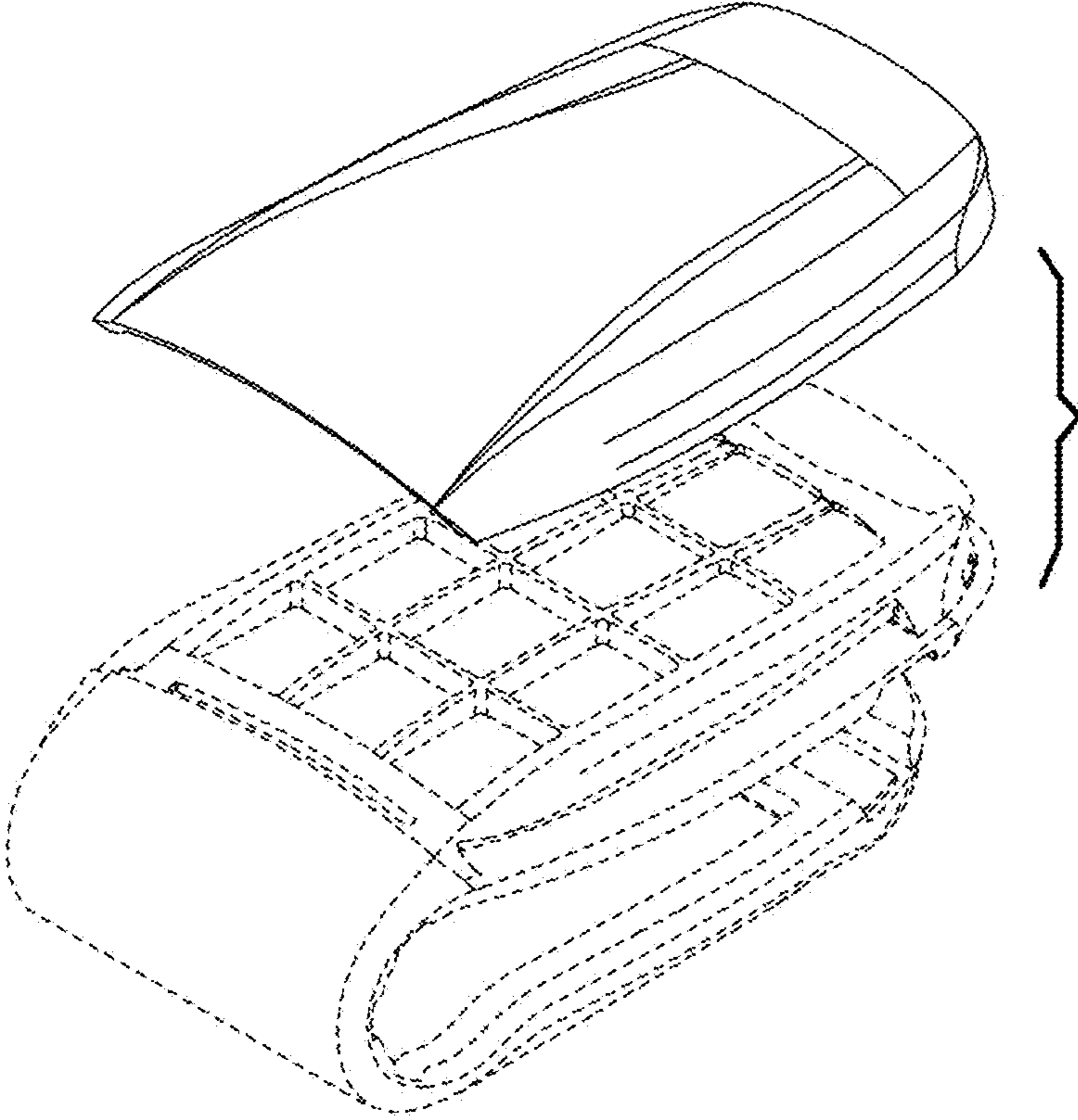


FIG. 13

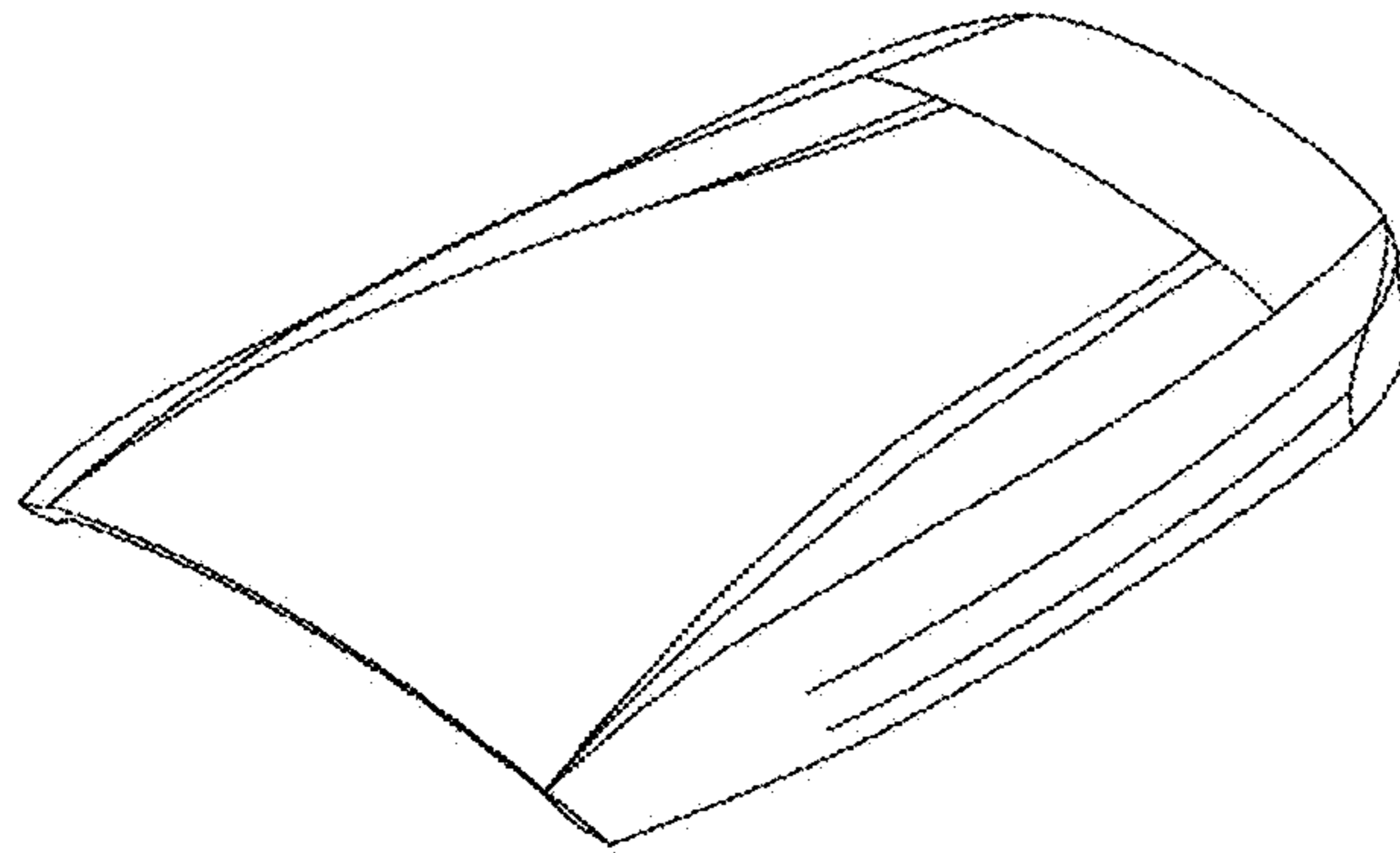


FIG. 14

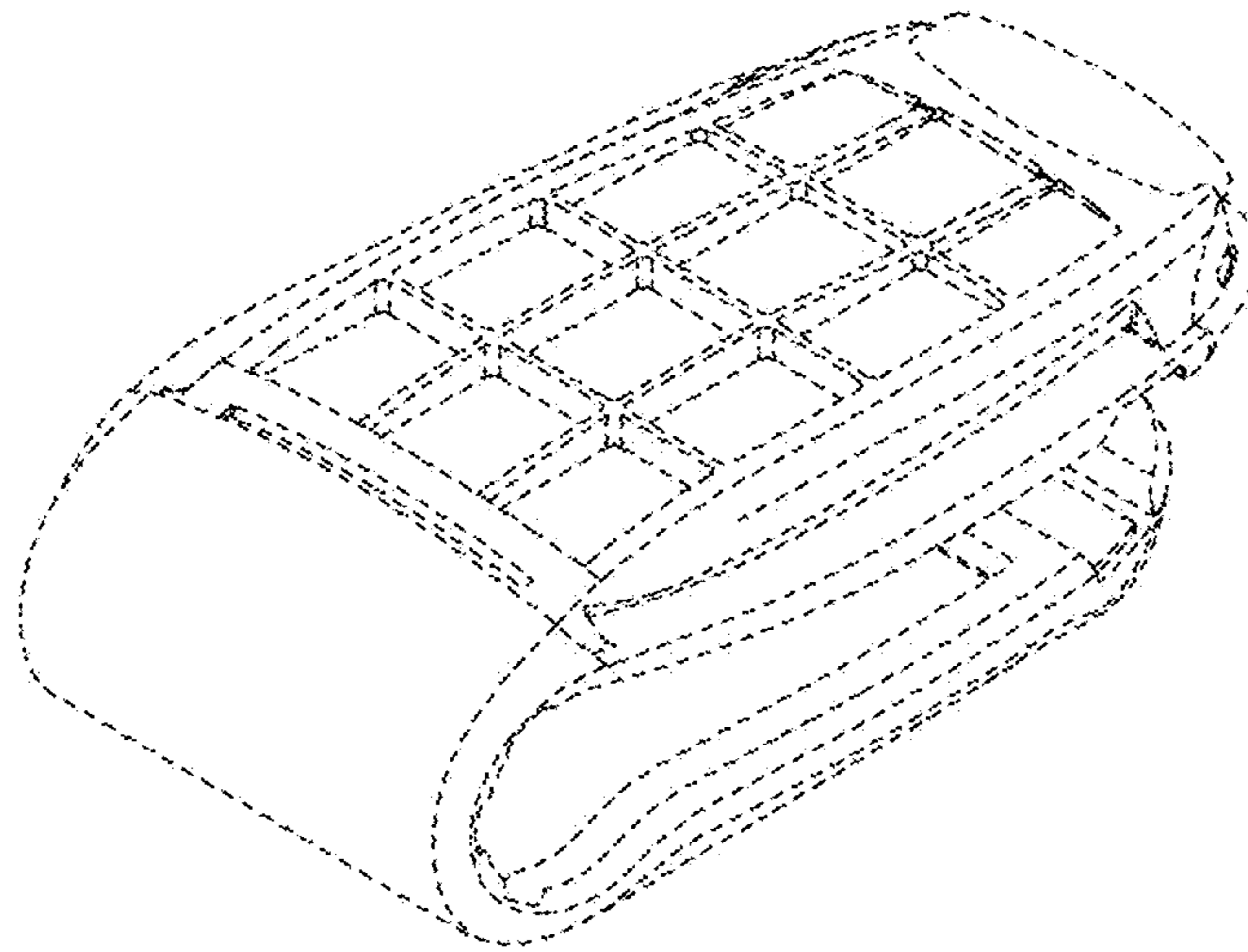




FIG. 15

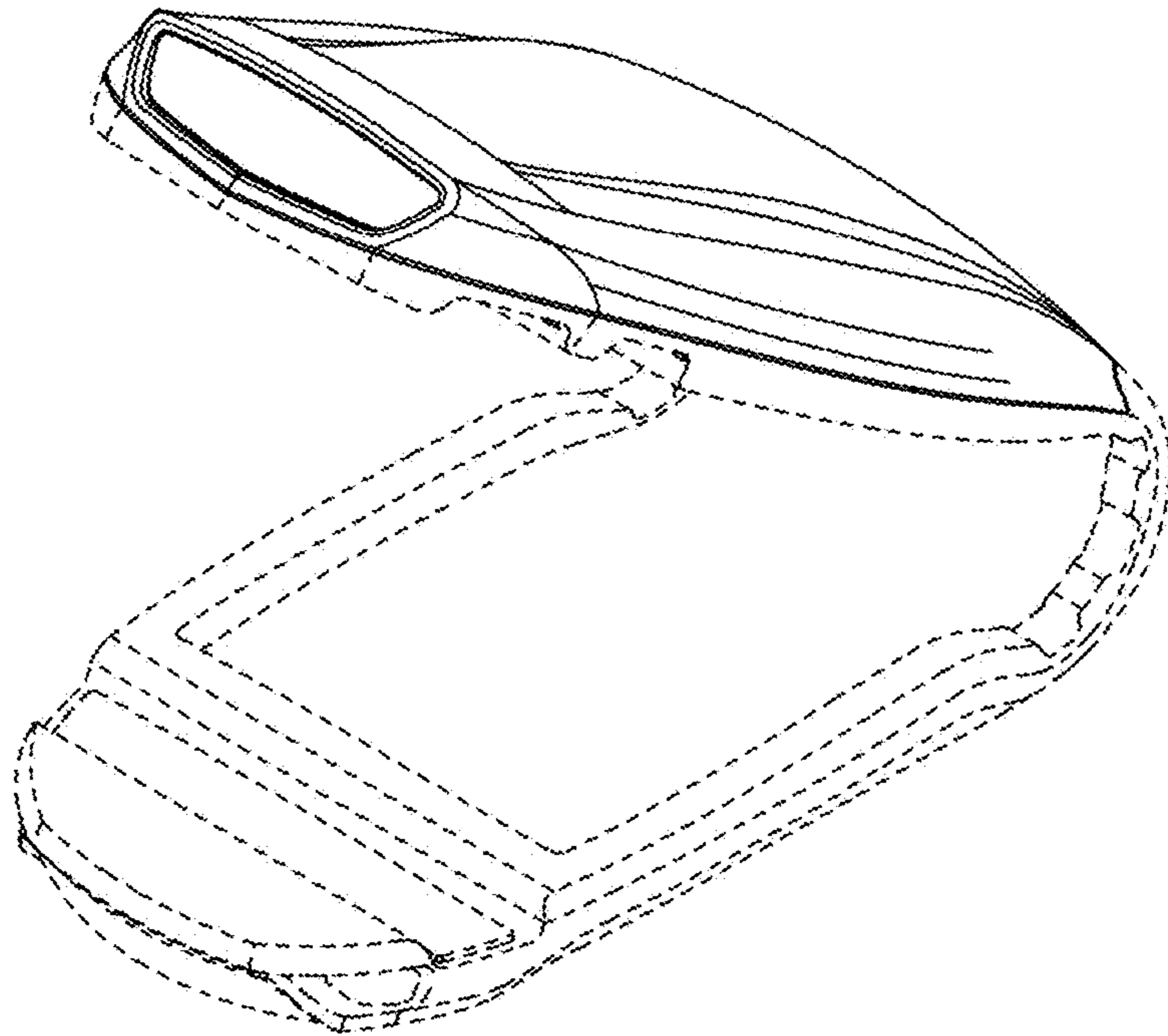


FIG. 16

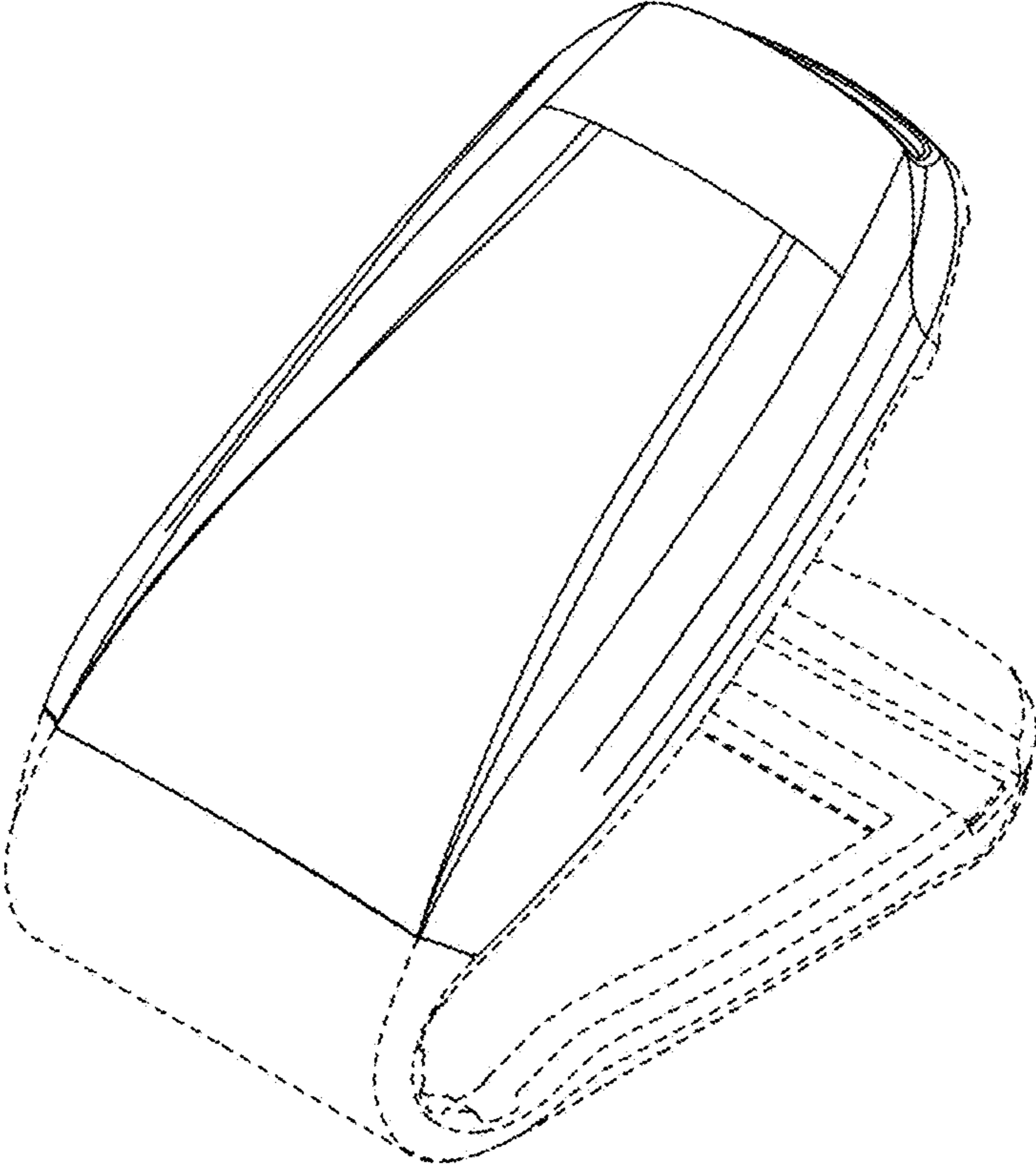


FIG. 17

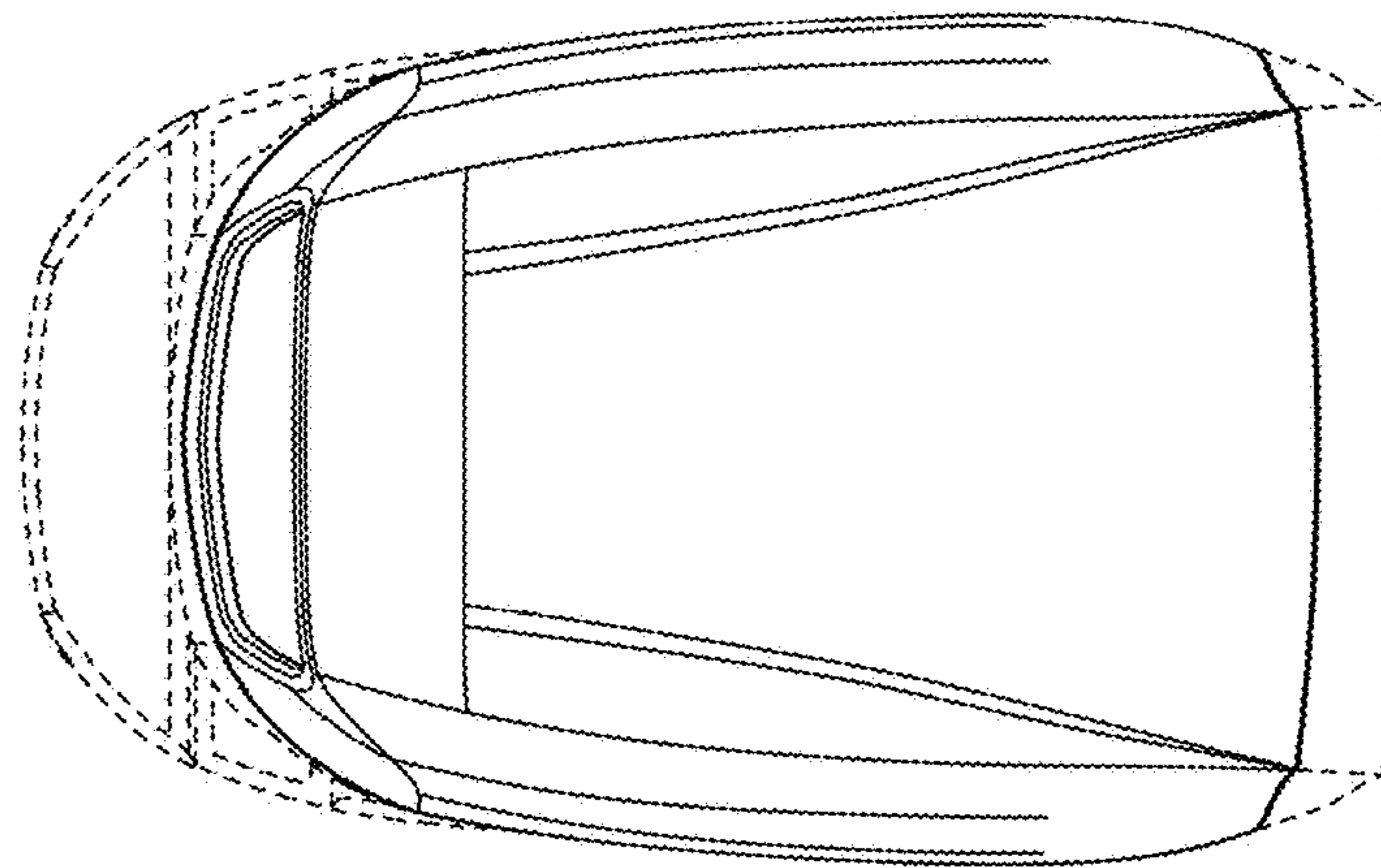


FIG. 18

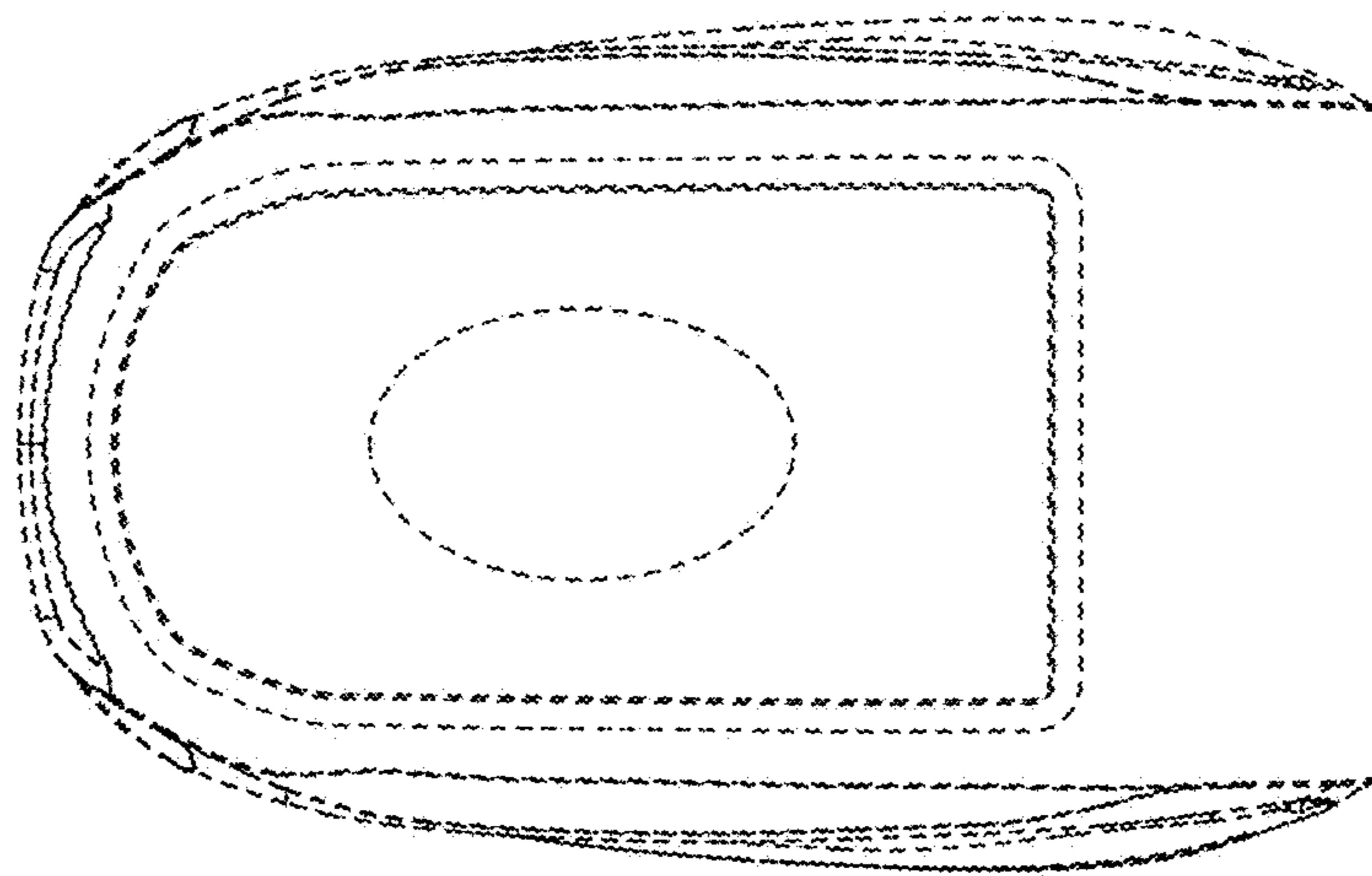


FIG. 19

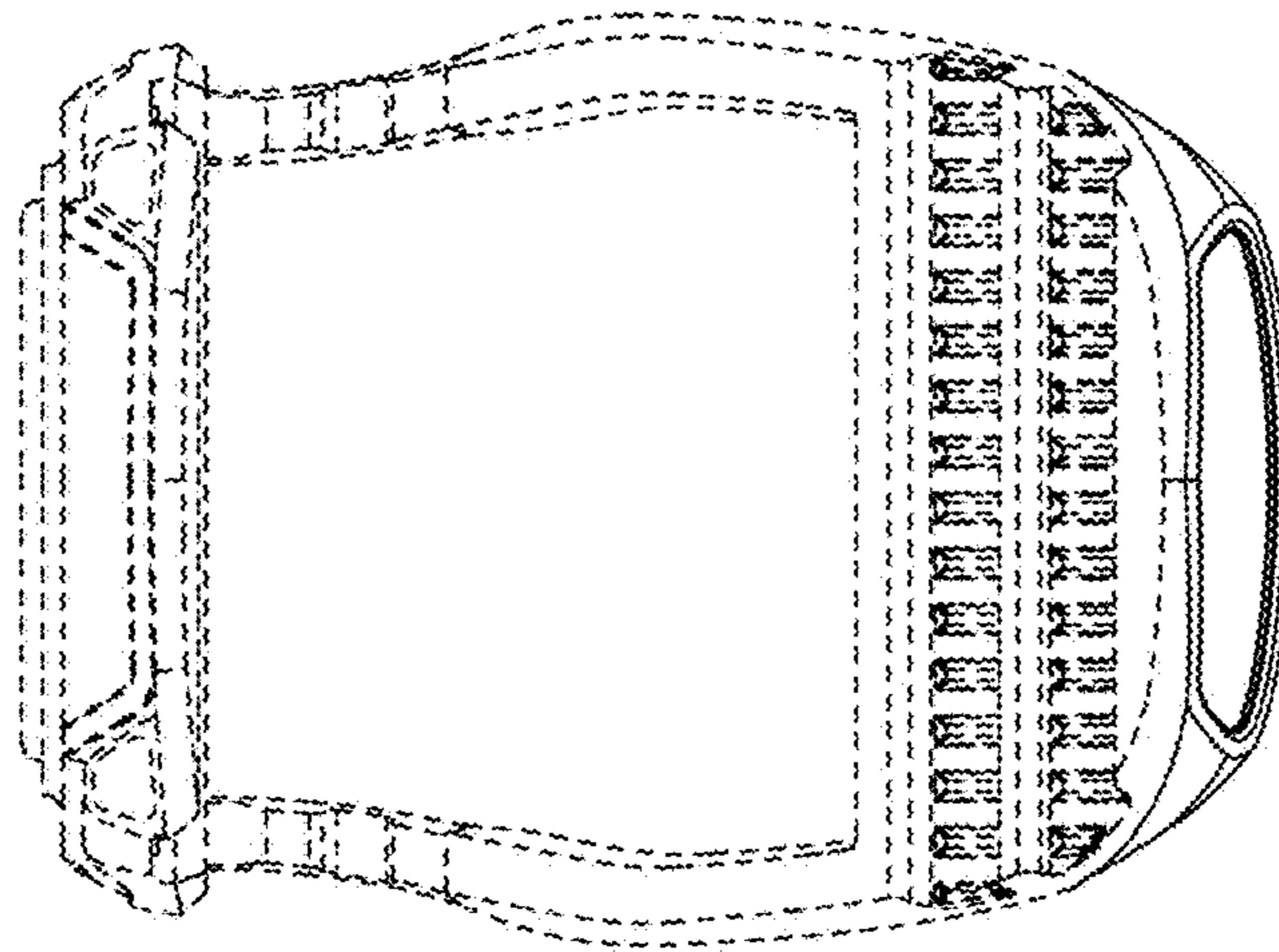


FIG. 20

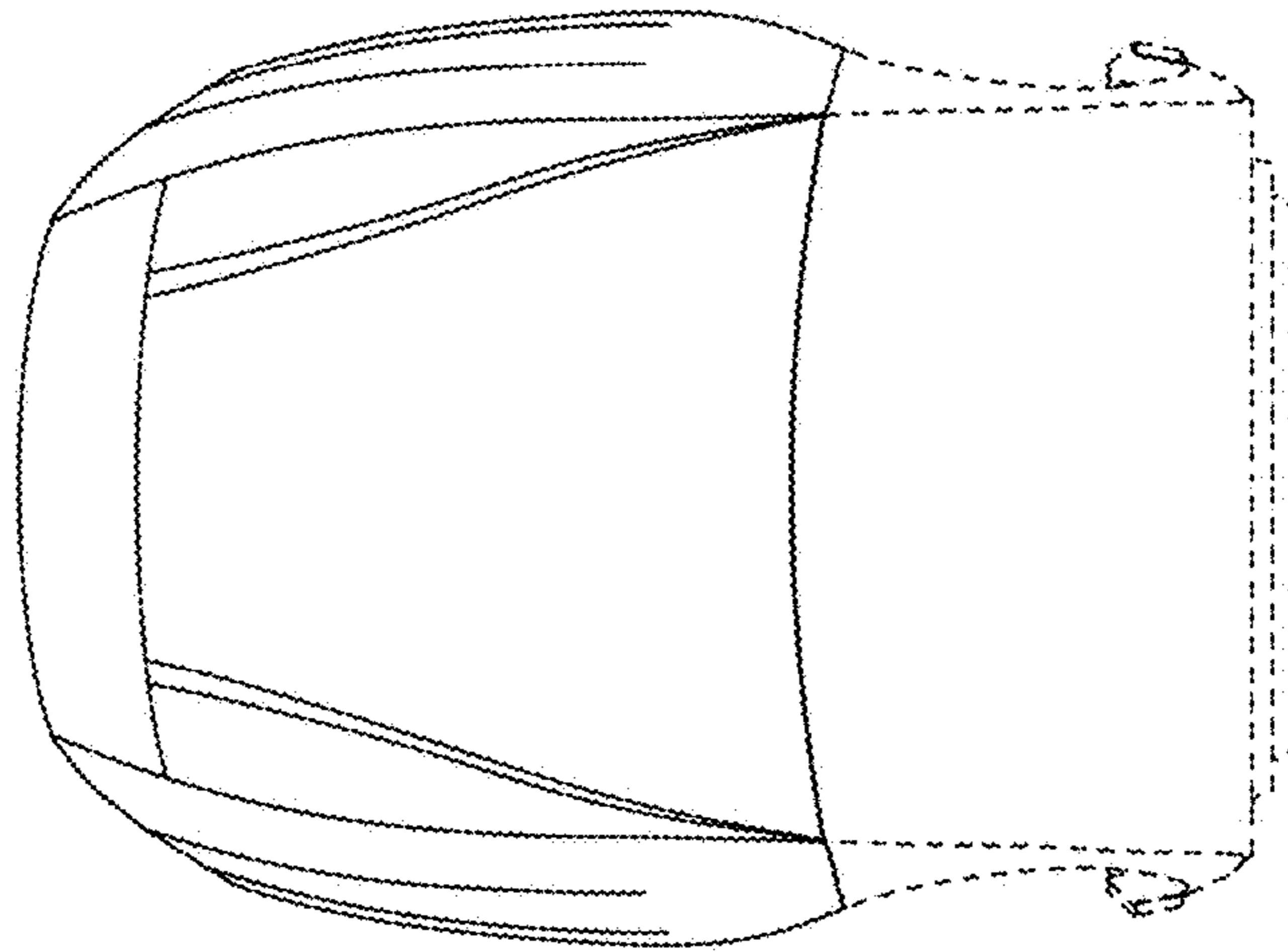


FIG. 21

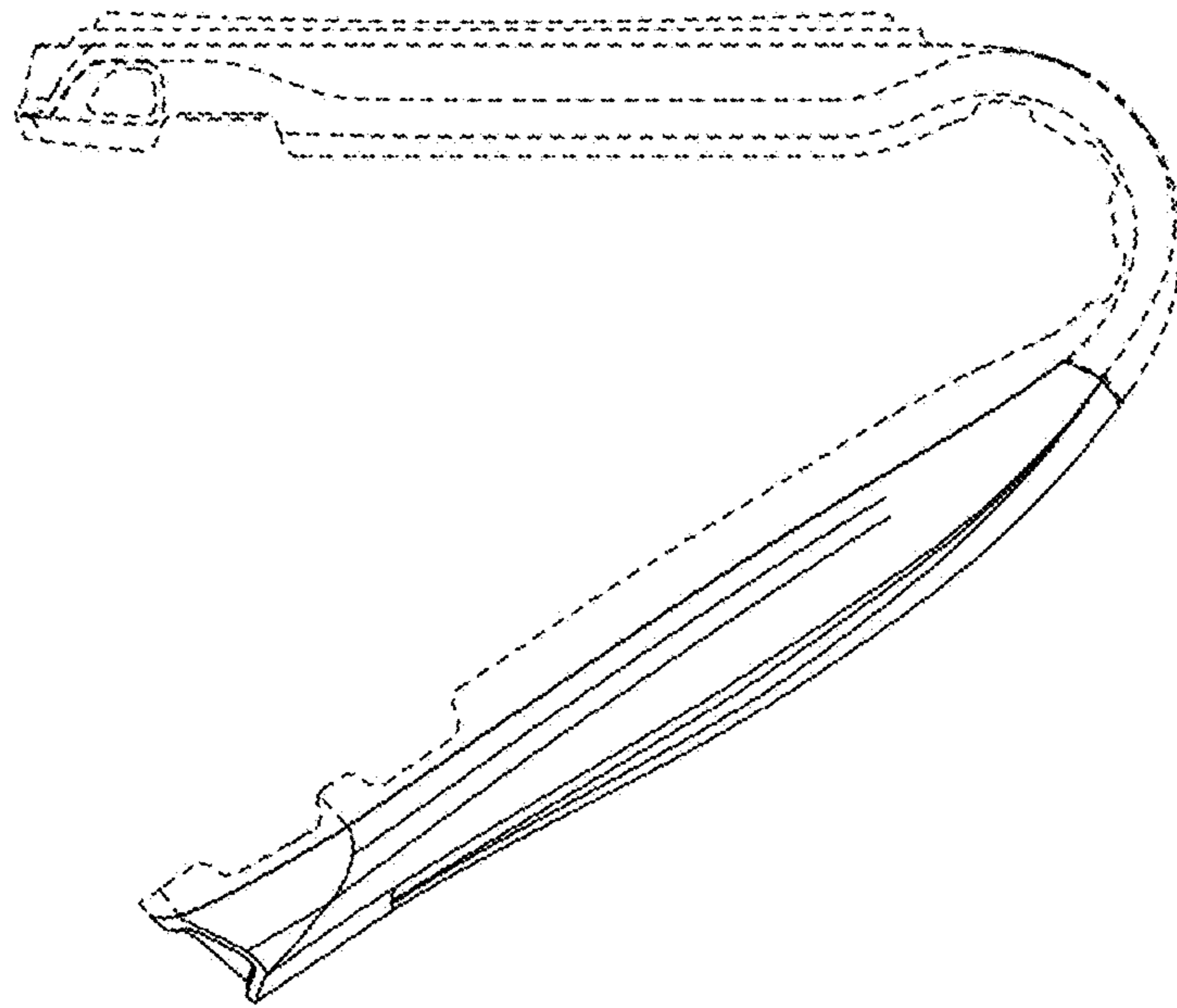


FIG. 22

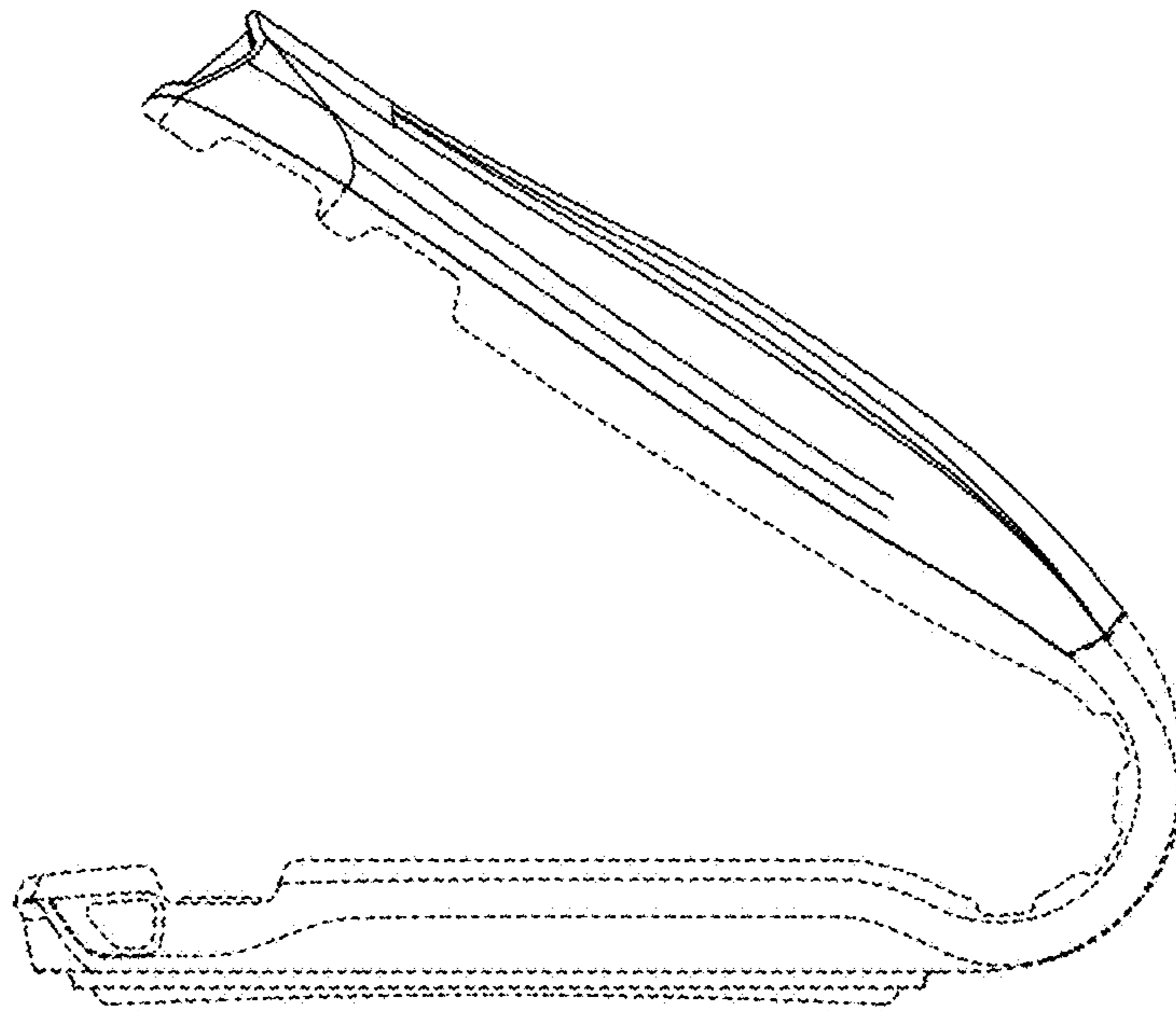




FIG. 23

