



US00D821290S

(12) **United States Design Patent** (10) **Patent No.:** **US D821,290 S**  
**Jung** (45) **Date of Patent:** **\*\* Jun. 26, 2018**

(54) **ELECTRONIC DEVICE MOUNT FOR VEHICLES**

(71) Applicant: **Soo Ha Jung**, Seoul (KR)

(72) Inventor: **Soo Ha Jung**, Seoul (KR)

(73) Assignee: **SPIGEN KOREA CO., LTD.**,  
Bongeunsa-ro Gangnam-gu Seoul (KR)

(\*\*) Term: **15 Years**

(21) Appl. No.: **29/604,441**

(22) Filed: **May 17, 2017**

(51) **LOC (11) Cl.** ..... **12-16**

(52) **U.S. Cl.**  
USPC ..... **D12/415**

(58) **Field of Classification Search**  
USPC ..... D12/415, 416, 417, 418, 419, 420, 400,  
D12/191, 423, 253; D6/513, 514, 611,  
D6/553, 556, 559; D7/601-602  
CPC ..... B60R 11/02; B60R 2011/0005  
See application file for complete search history.

(56) **References Cited**

**U.S. PATENT DOCUMENTS**

D234,851 S	4/1975	Tyson et al.
D245,520 S	8/1977	Smith
D301,632 S	6/1989	Lohrentz
D308,730 S	6/1990	Nakagawa
D356,798 S	3/1995	Rudkiewicz et al.
D381,338 S	7/1997	Johansson
D409,992 S	5/1999	Mockett
D517,402 S	3/2006	Cairns
D518,480 S	4/2006	Zheng
D536,124 S	1/2007	Liao
D556,363 S	11/2007	Komar
D636,927 S	4/2011	Lin

(Continued)

**OTHER PUBLICATIONS**

“Spigen Kuel Stealth Car Mount Universal Phone Holder for iPhone 7 / 7 Plus / 6S / 6S Plus / Galaxy S8 / S8 Plus / Galaxy S7 / Galaxy

S7 Edge / LG / HTC / Nexus and More”, [https://www.amazon.com/SpigenStealthUniversalHolderiPhone/dp/B00RDQVPTY/ref=cm\\_cr\\_arp\\_d\\_product\\_top?ie=UTF8](https://www.amazon.com/SpigenStealthUniversalHolderiPhone/dp/B00RDQVPTY/ref=cm_cr_arp_d_product_top?ie=UTF8), Earliest review date of Jun. 9, 2015.

*Primary Examiner* — Katrina A Betton

(74) *Attorney, Agent, or Firm* — Heedong Chae; Lucem, PC

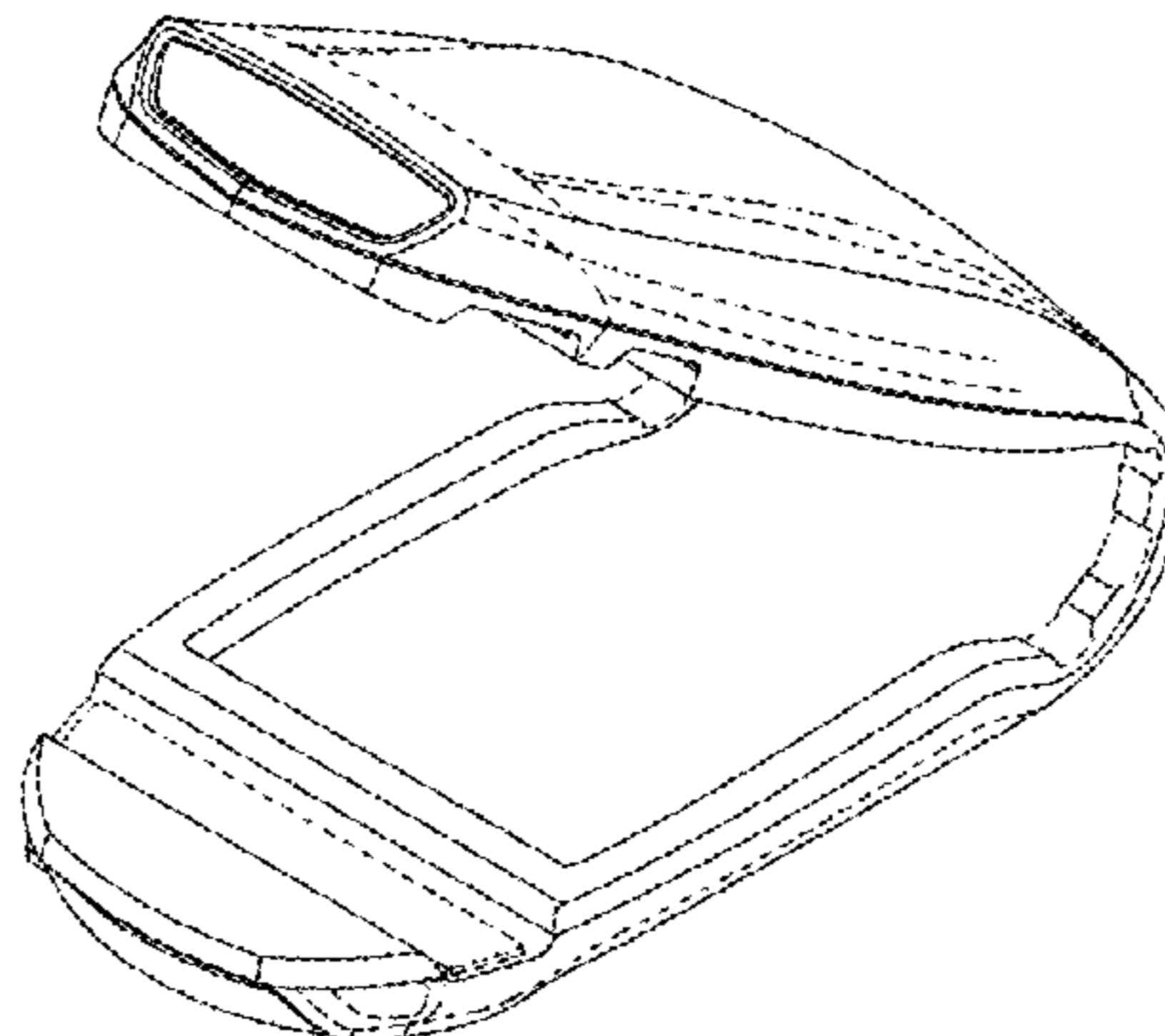
(57) **CLAIM**

The ornamental design for an electronic device mount for vehicles, as shown and described.

**DESCRIPTION**

FIG. 1 is a front perspective view of an electronic device mount for a vehicle in a closed position, the mount being comprised of a base and a cover, showing my new design; FIG. 2 is a rear perspective view thereof; FIG. 3 is a front elevational view thereof; FIG. 4 is a rear elevational view thereof; FIG. 5 is a left side elevational view thereof; FIG. 6 is a right side elevational view thereof; FIG. 7 is a top plan view thereof; FIG. 8 is a bottom plan view thereof; FIG. 9 is a front exploded perspective view thereof; FIG. 10 is a rear exploded perspective view thereof; FIG. 11 is a front perspective view of the electronic device mount for the vehicle in an open position; FIG. 12 is a rear-perspective view thereof; FIG. 13 is a front elevational view thereof; FIG. 14 is a rear elevational view thereof; FIG. 15 is a left side elevational view thereof; FIG. 16 is a right side elevational view thereof; FIG. 17 is a top plan view thereof; FIG. 18 is a bottom plan view thereof; and, FIG. 19 is a front perspective view thereof, illustrating an electronic device in broken lines. The broken line showing of environment is for illustrative purposes only and forms no part of the claimed design.

**1 Claim, 19 Drawing Sheets**



(56)

References Cited

U.S. PATENT DOCUMENTS

D645,033 S	9/2011	Quong et al.	D740,799 S	10/2015	Fan
D649,153 S	11/2011	Symons	D741,313 S	10/2015	Moon
D667,042 S	9/2012	Shen	D742,961 S	11/2015	Backs
D677,707 S	3/2013	Shen	D750,633 S	3/2016	Minn et al.
D690,707 S	10/2013	Minn et al.	D753,643 S	4/2016	Kim et al.
D692,012 S	10/2013	Thorne	D754,668 S	4/2016	Manabe et al.
D699,242 S	2/2014	Hu	D756,346 S	5/2016	Kim
D700,607 S	3/2014	Cederstrom	D768,125 S	10/2016	Kim
D714,774 S	10/2014	Baumann	D780,667 S *	3/2017	Kim ..... D12/415
D716,787 S	11/2014	Takabatake	D781,773 S *	3/2017	Kim ..... D12/415
D717,289 S	11/2014	Takabatake	D783,012 S	4/2017	Lee
D720,759 S	1/2015	Deng et al.	9,637,051 B2 *	5/2017	Dayan ..... B60R 1/00
D721,074 S	1/2015	Harris	D796,421 S *	9/2017	Huang ..... D12/415
D726,175 S	4/2015	Tsai et al.	D803,758 S *	11/2017	Giordano ..... D12/223
D731,879 S	6/2015	Williamson	D805,021 S *	12/2017	Cunningham ..... D12/415
D733,115 S	6/2015	Aspinall	9,834,150 B1 *	12/2017	Song ..... B60R 7/06
D739,382 S	9/2015	Niho	9,868,532 B2 *	1/2018	Balmer ..... B64D 11/0638
D740,295 S	10/2015	Alegiani	2012/0174375 A1 *	7/2012	Mcleod ..... F16M 11/041 29/428
			2016/0288730 A1 *	10/2016	Lee ..... B60R 11/02

\* cited by examiner

FIG. 1

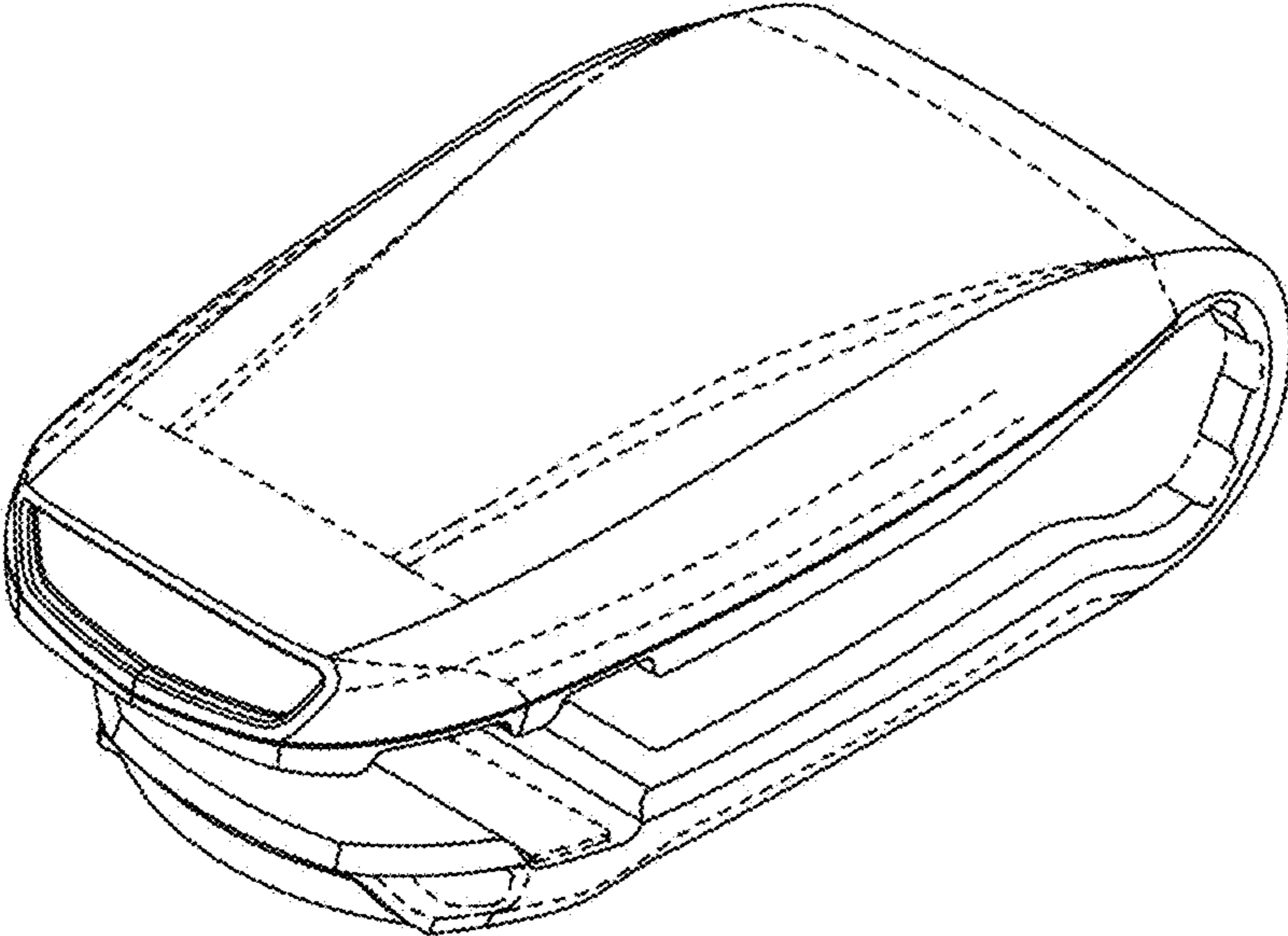


FIG. 2

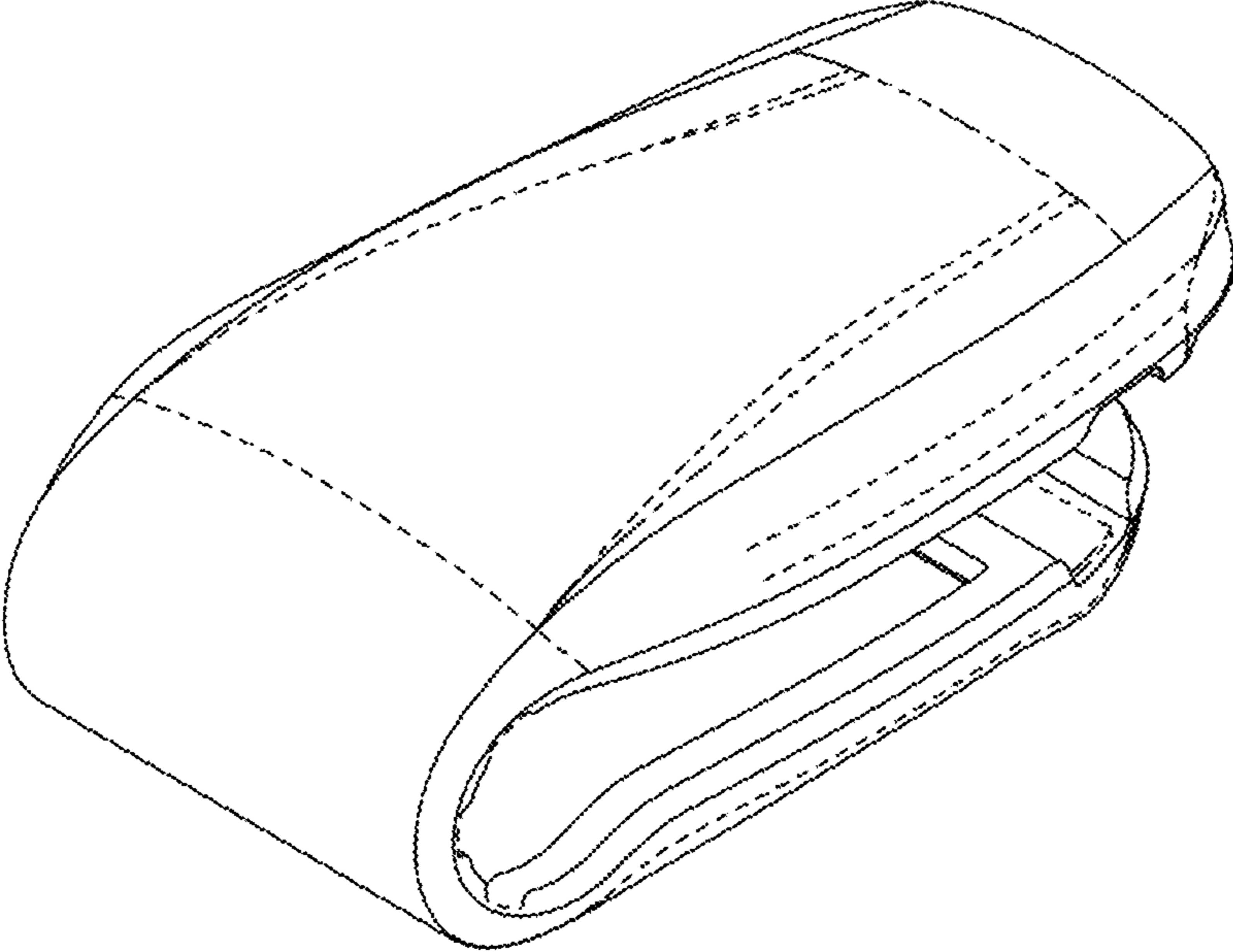


FIG. 3

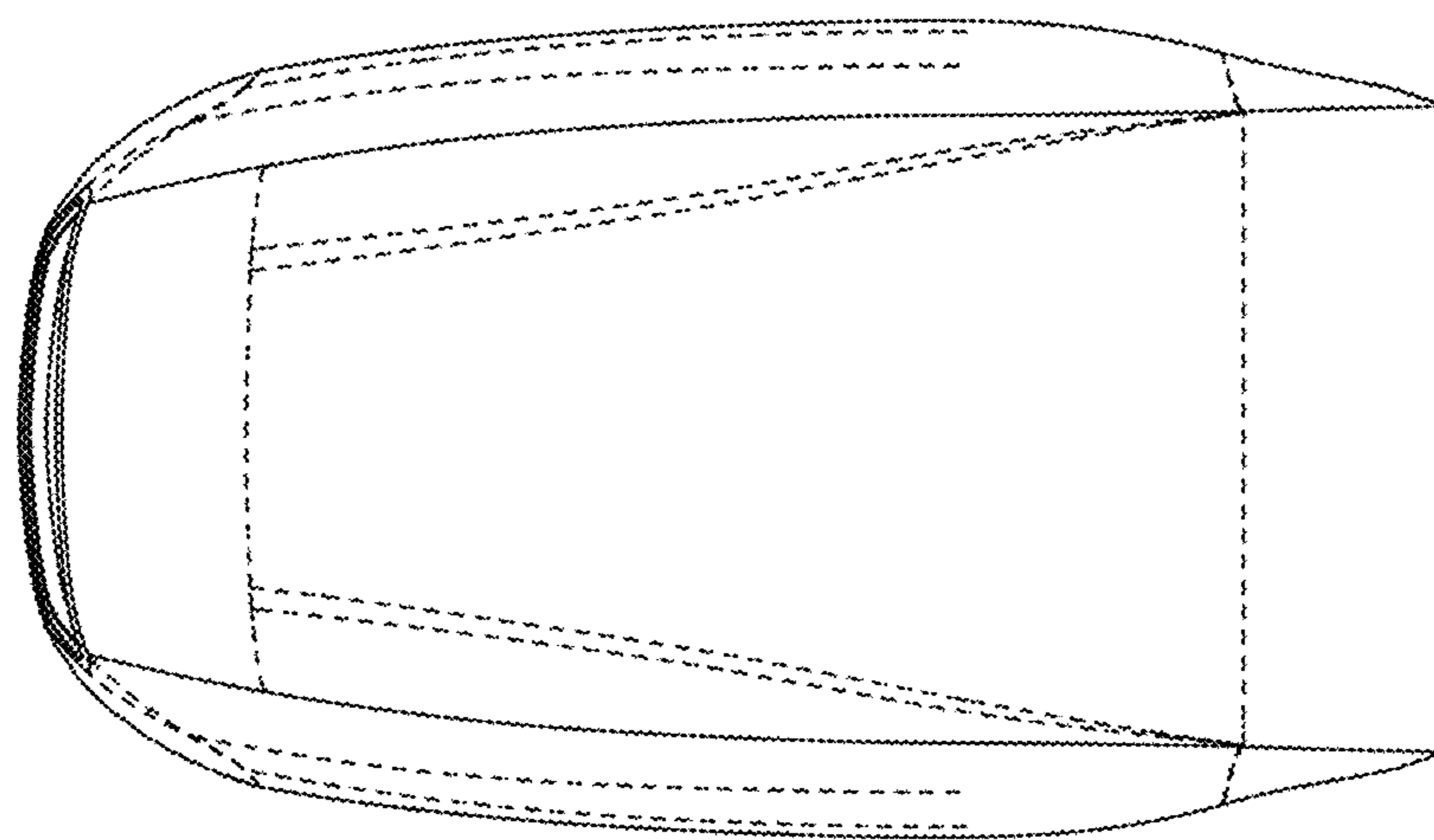




FIG. 4

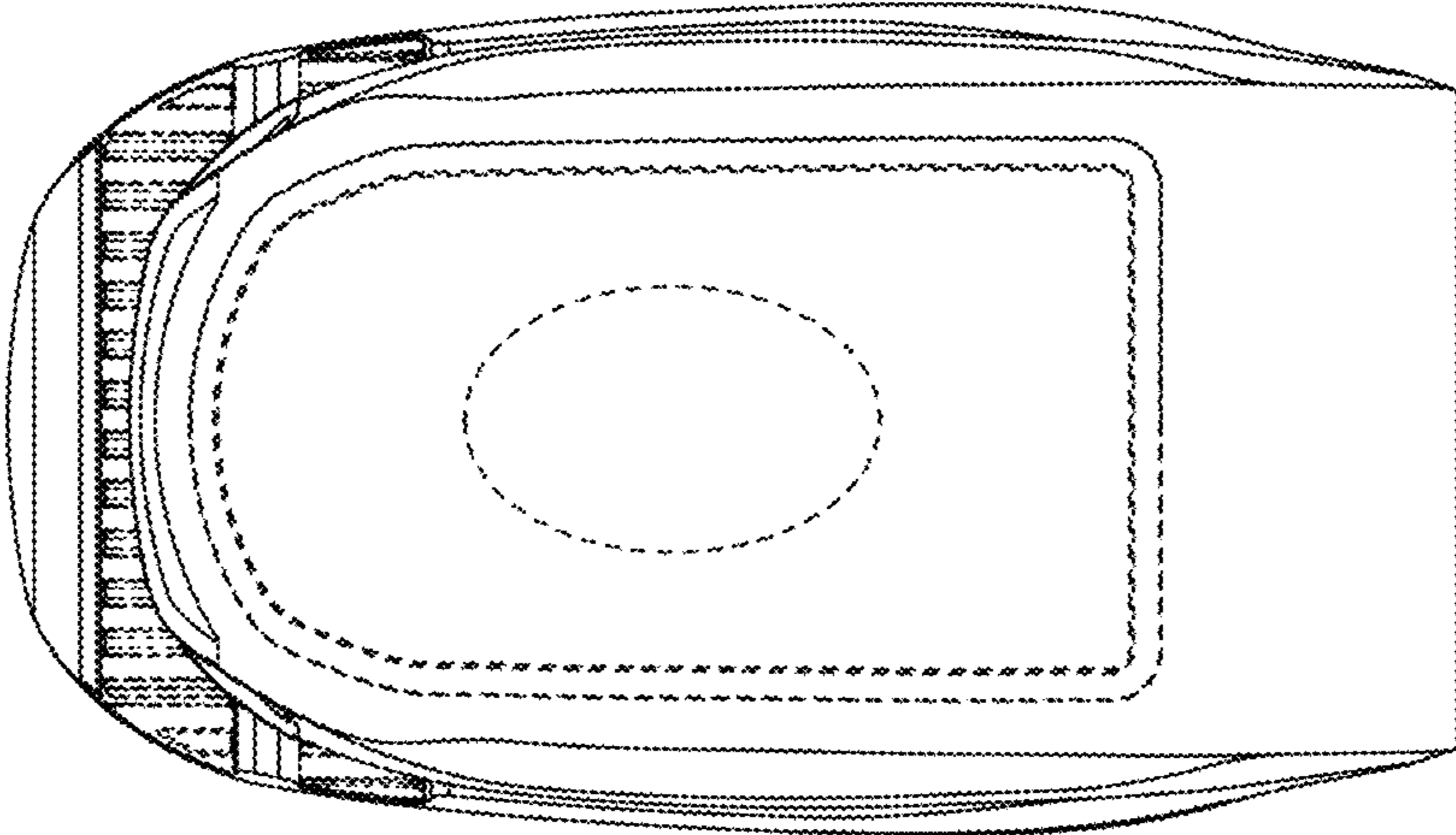


FIG. 5

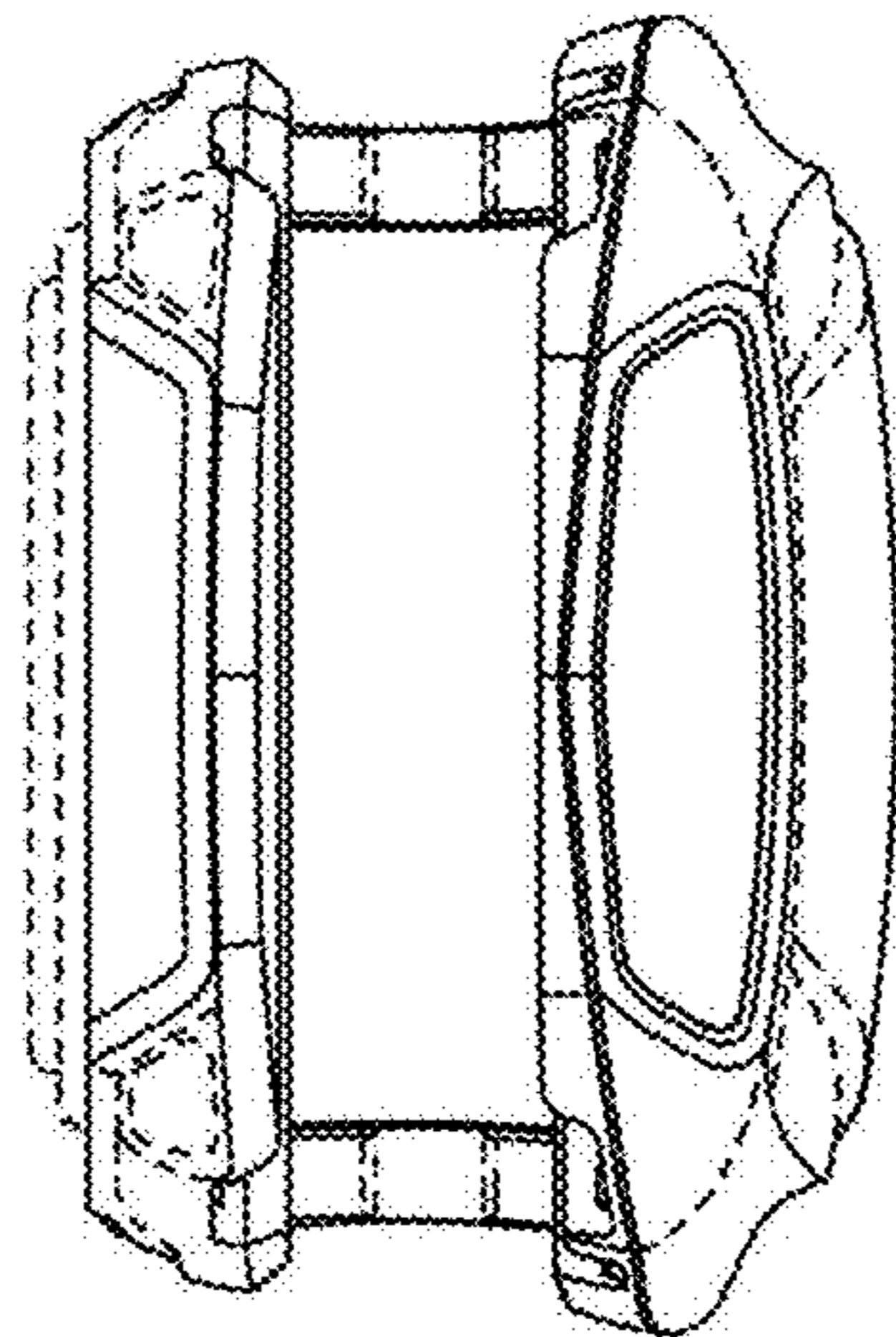


FIG. 6

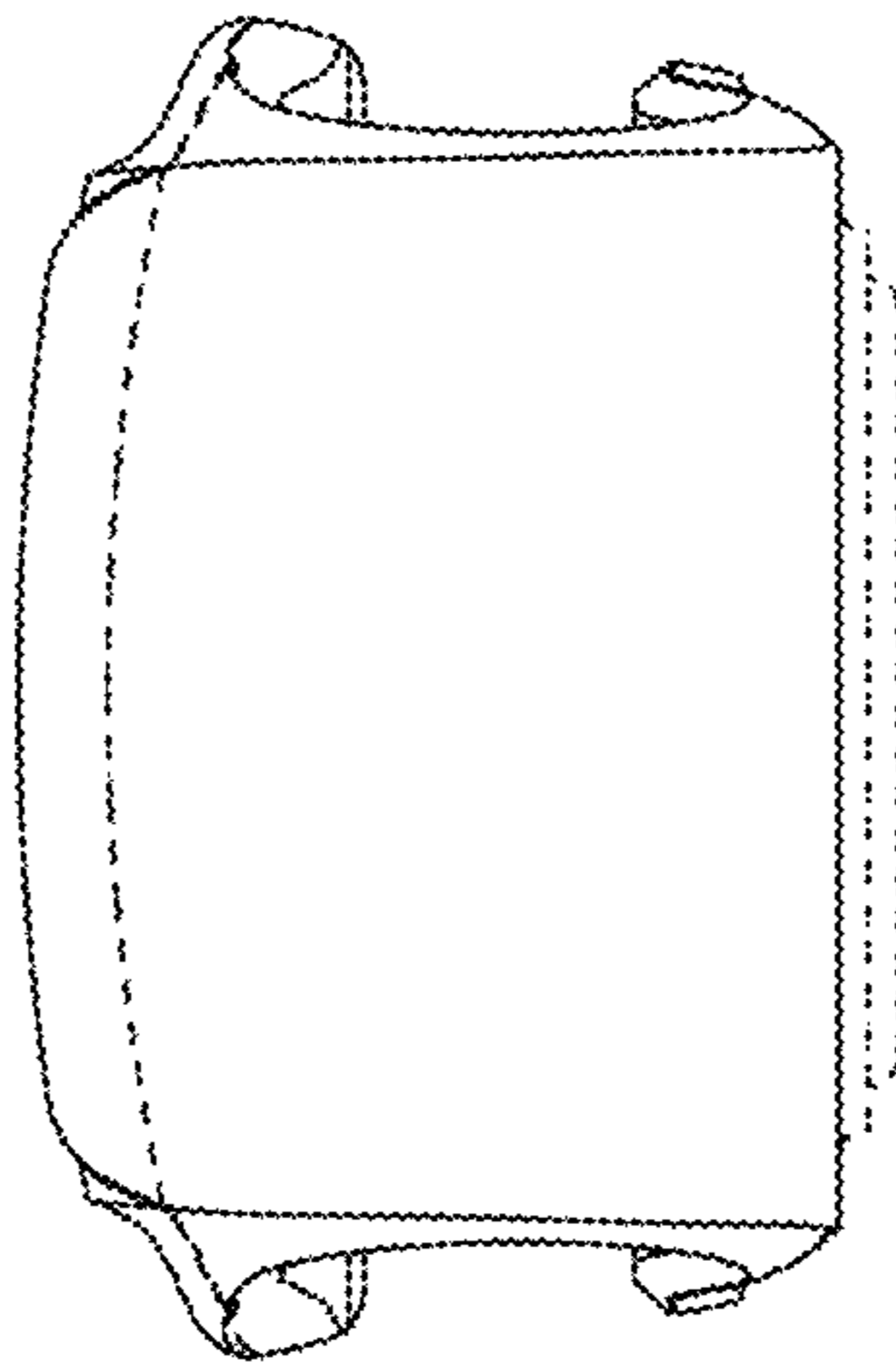




FIG. 7

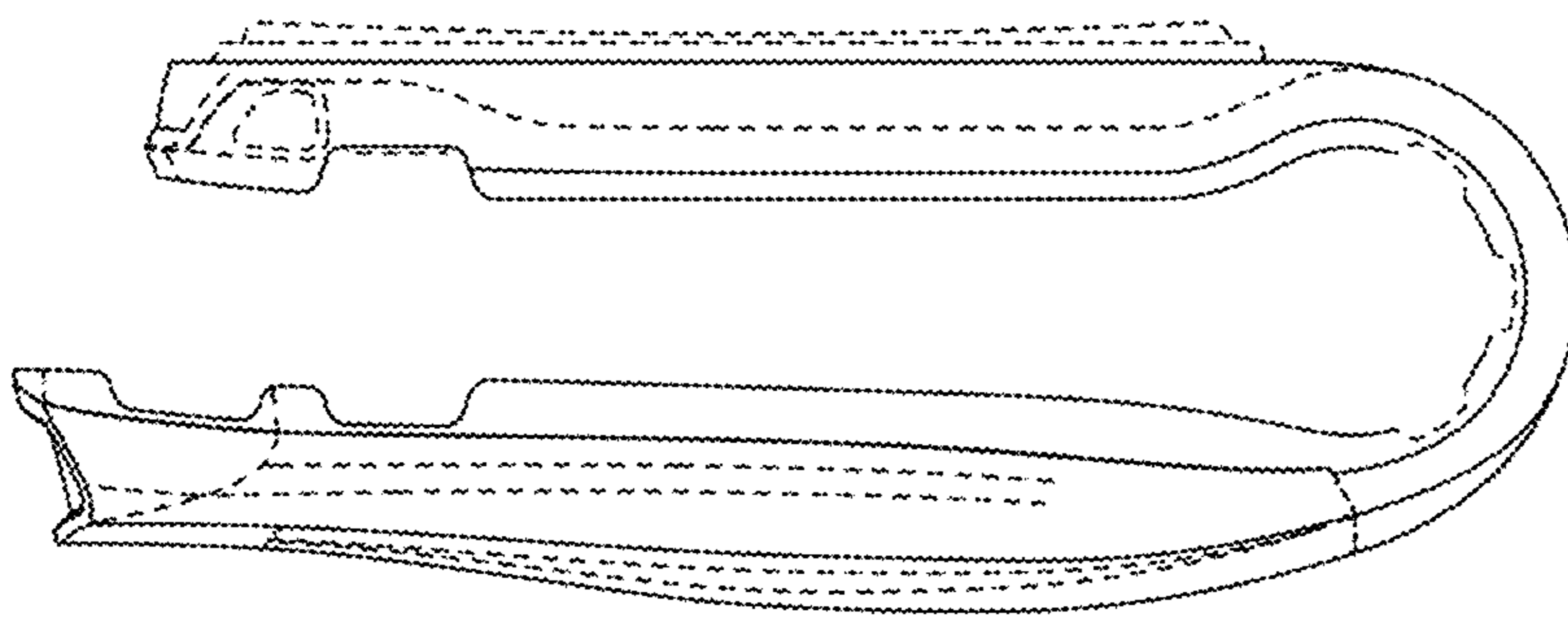


FIG. 8

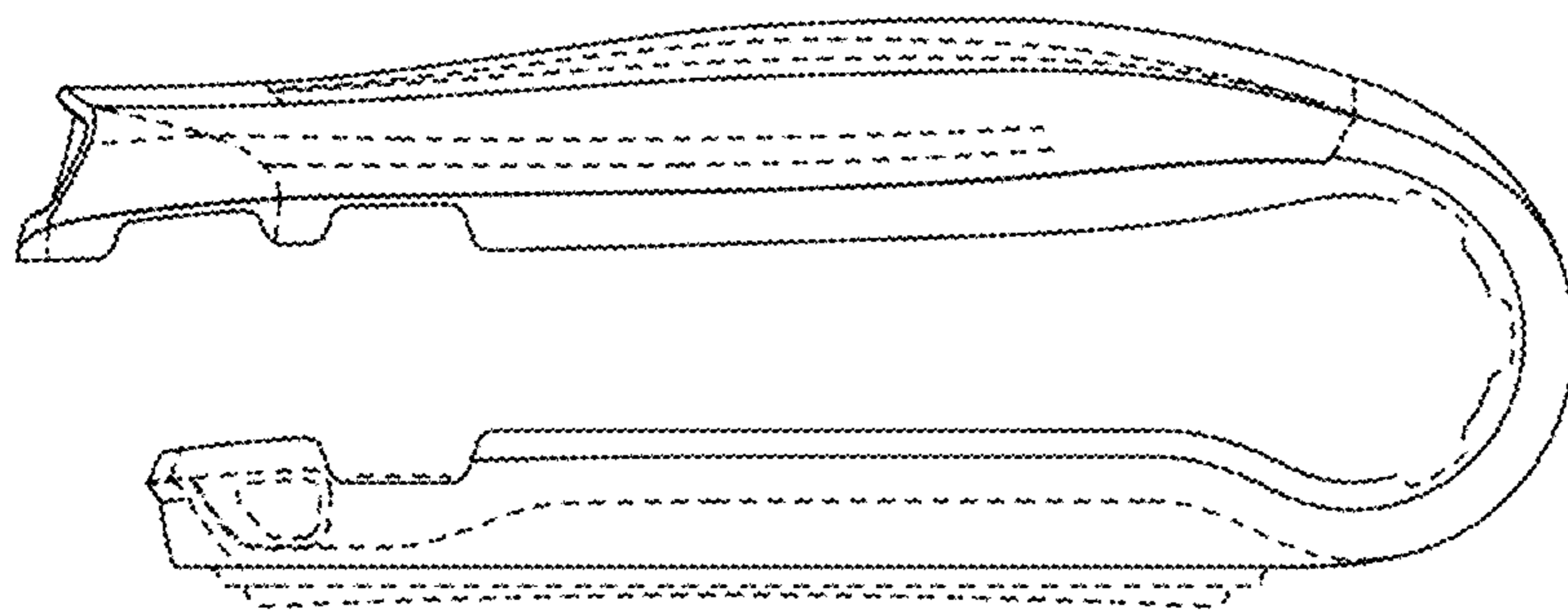


FIG. 9

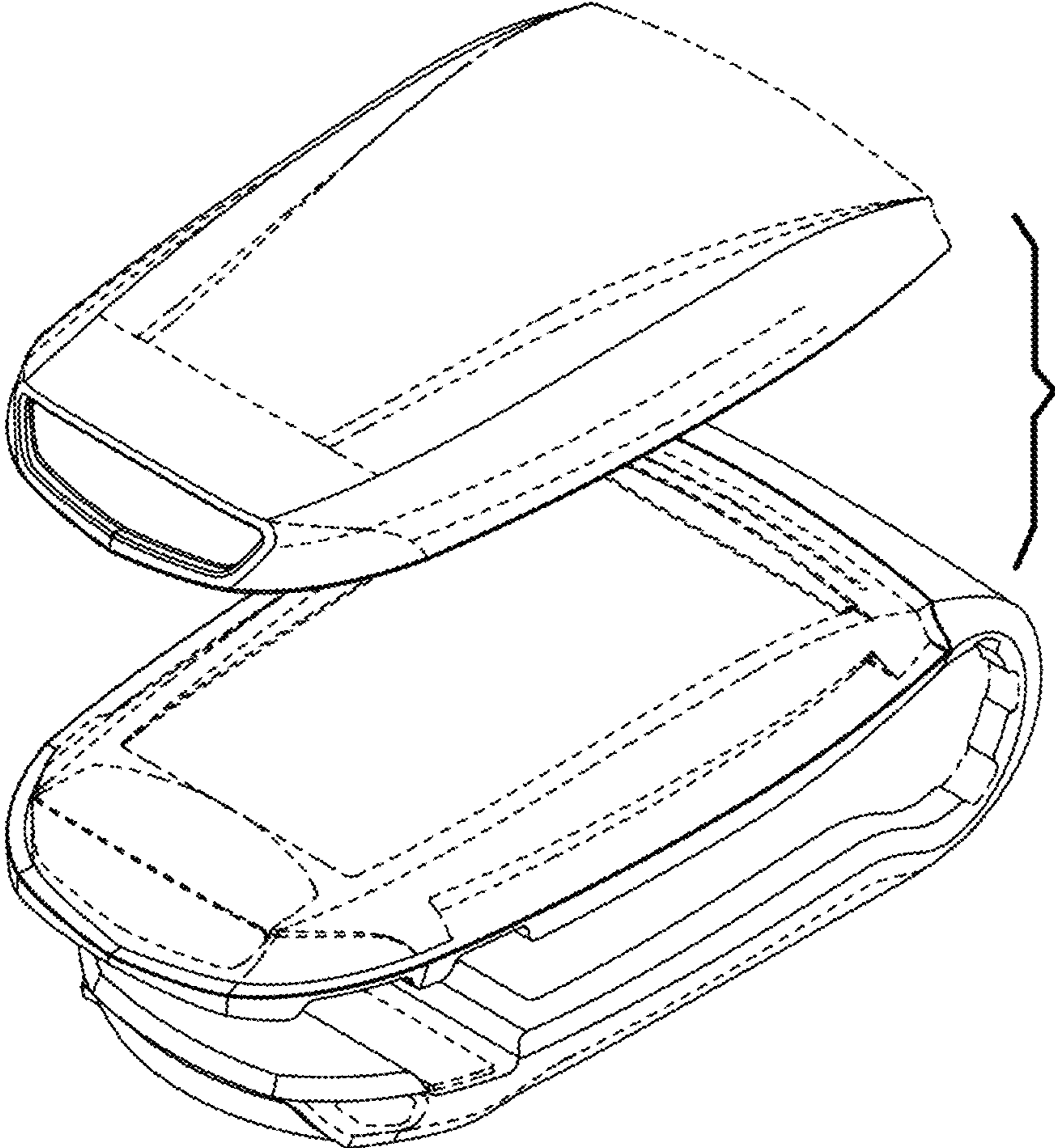


FIG. 10

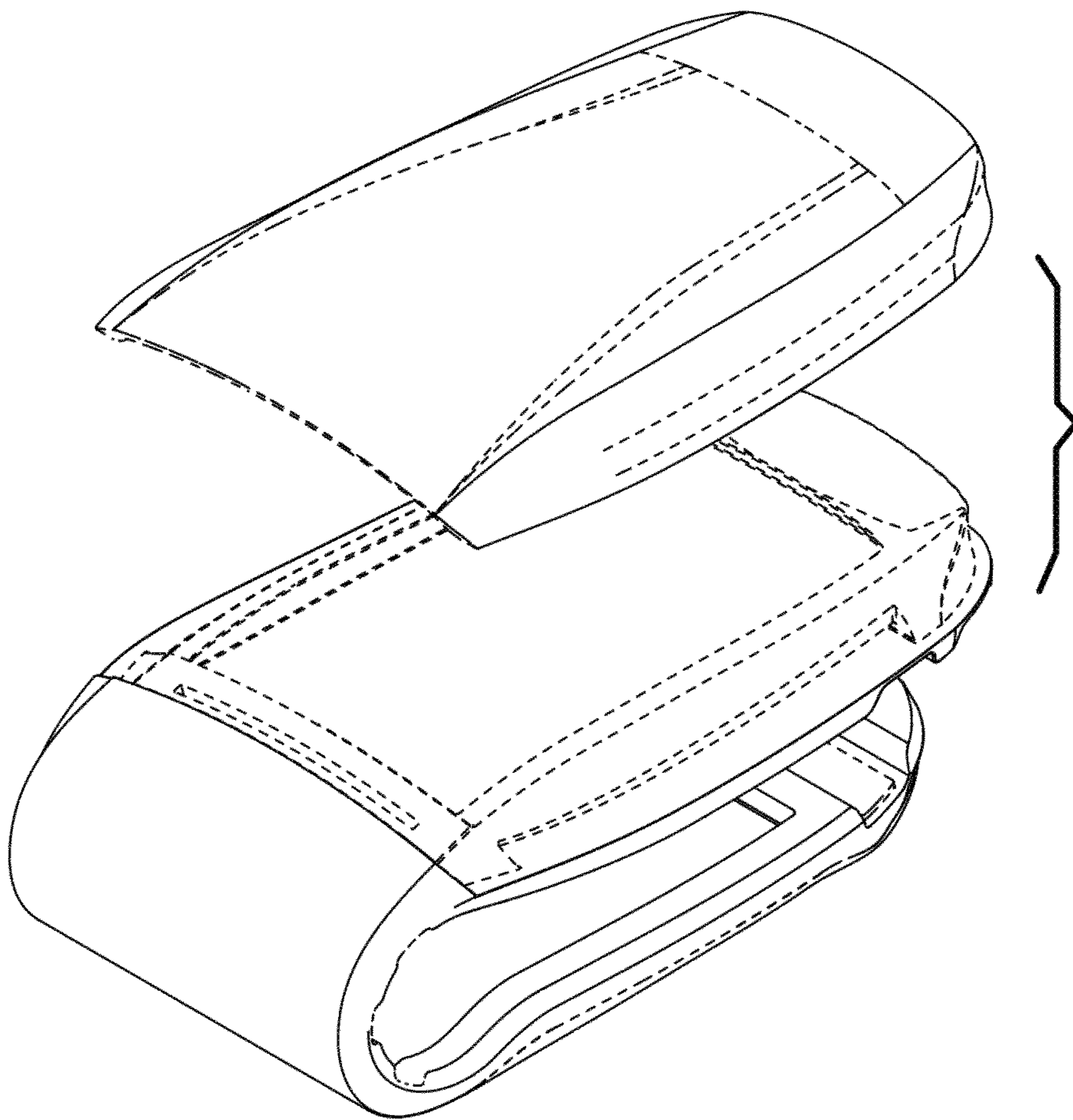


FIG. 11

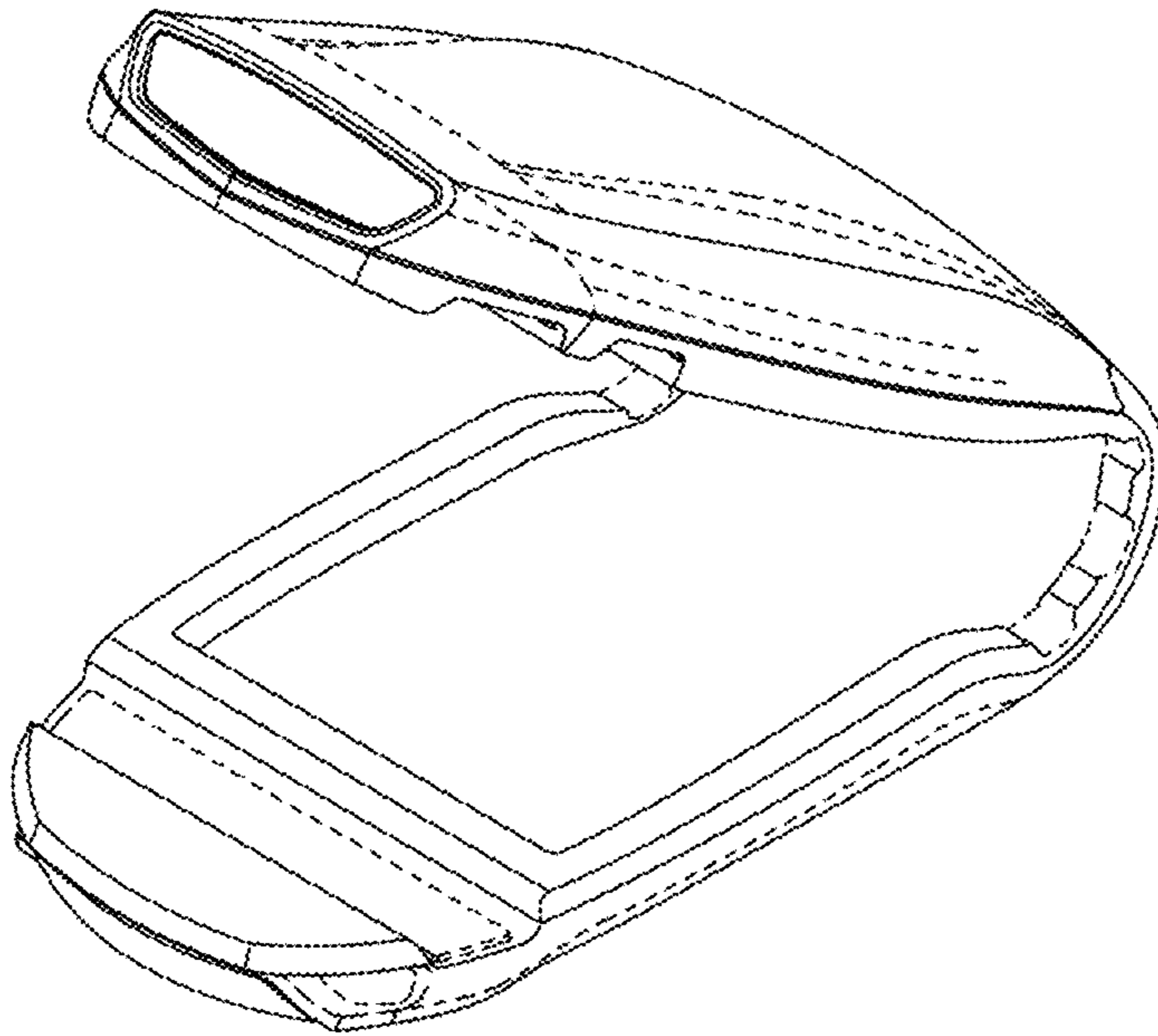


FIG. 12

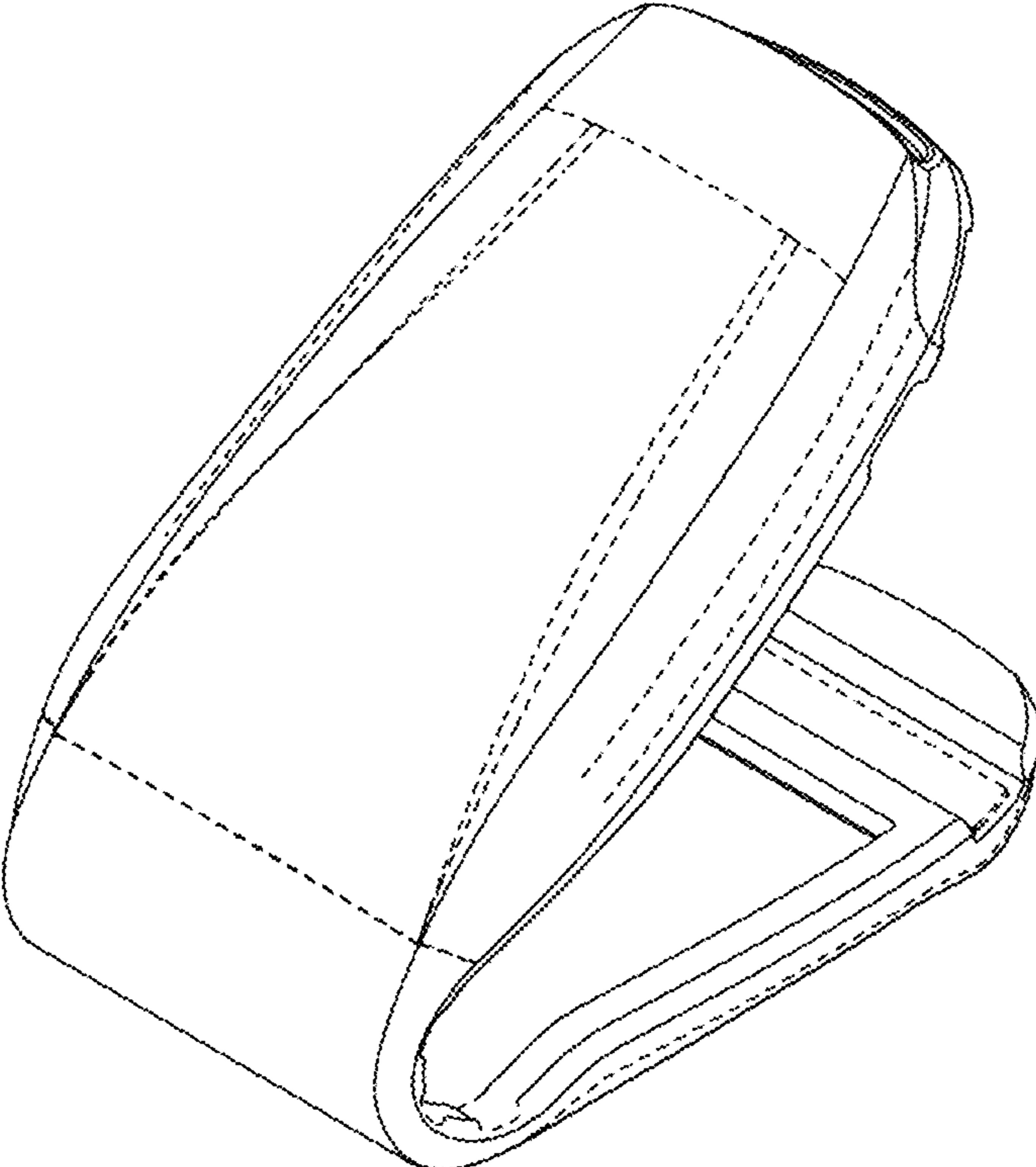




FIG. 13

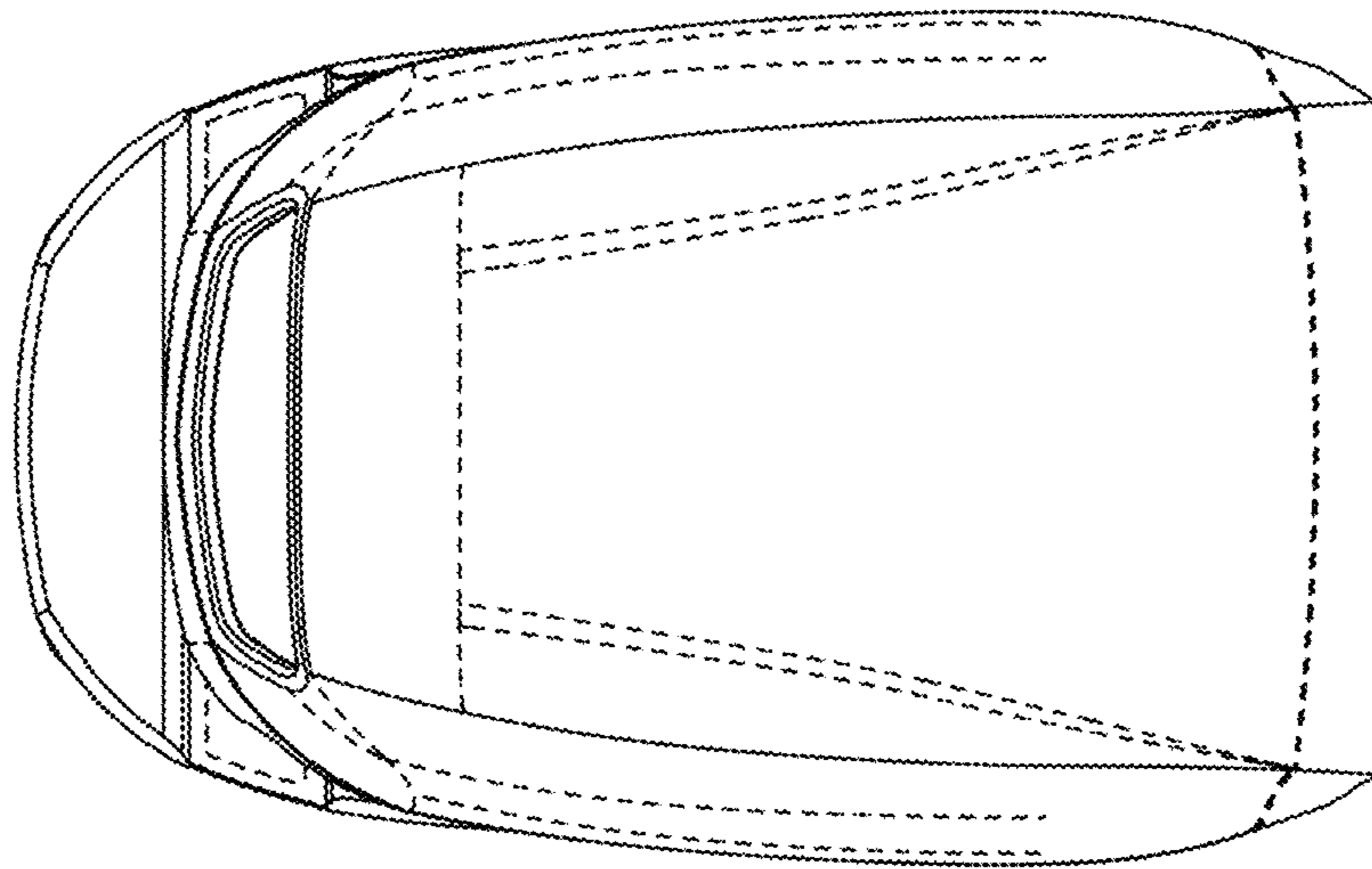


FIG. 14

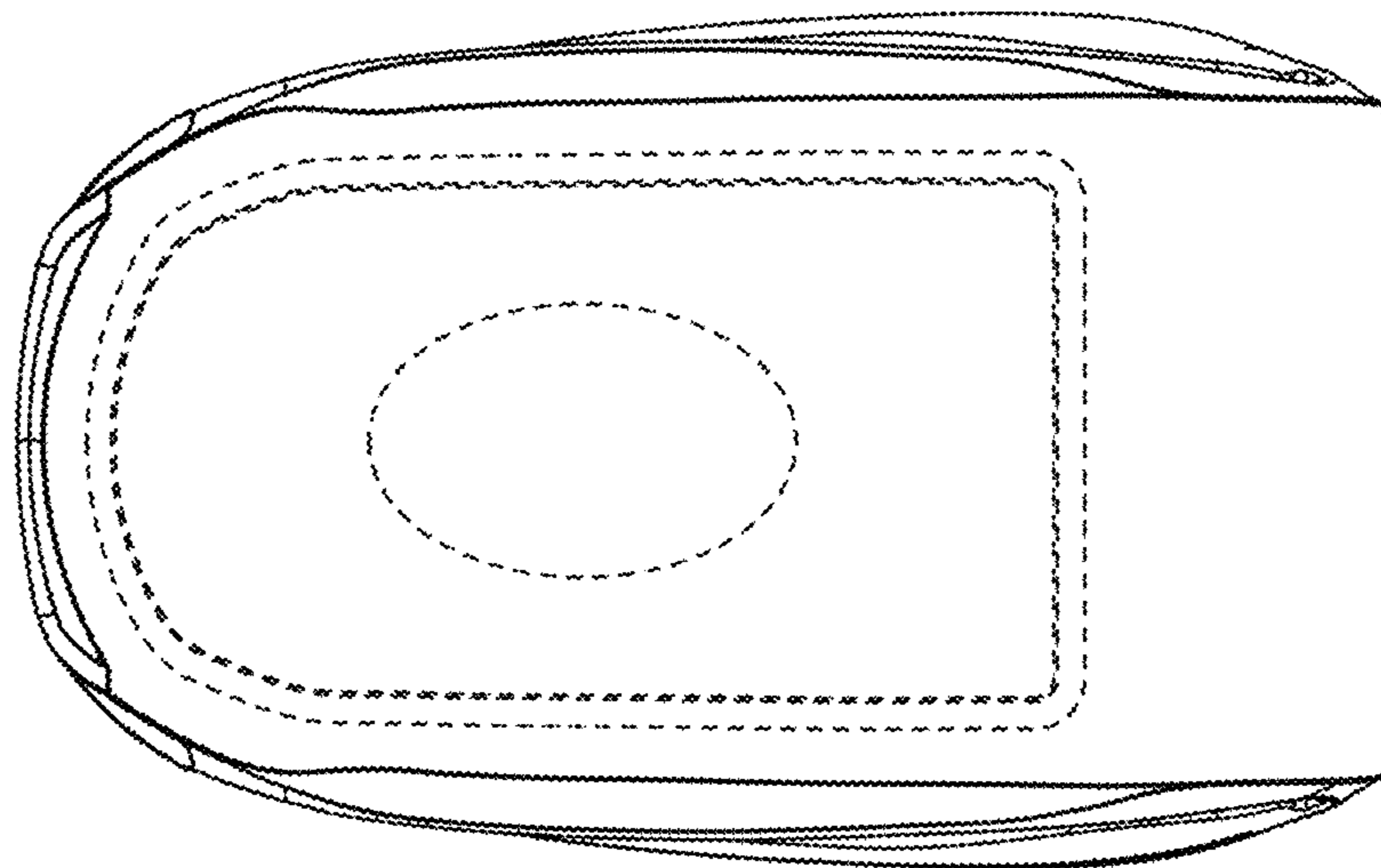


FIG. 15

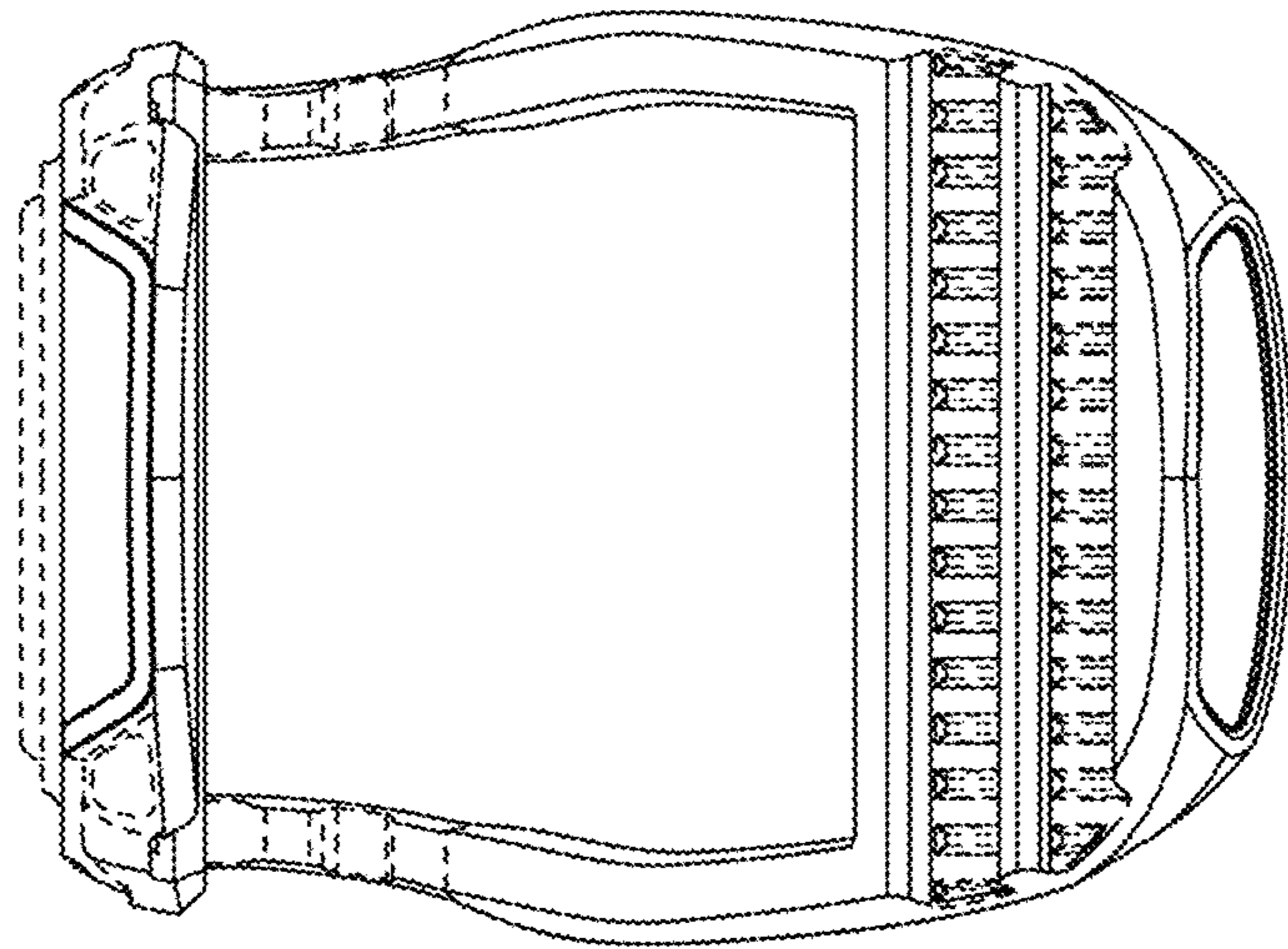


FIG. 16

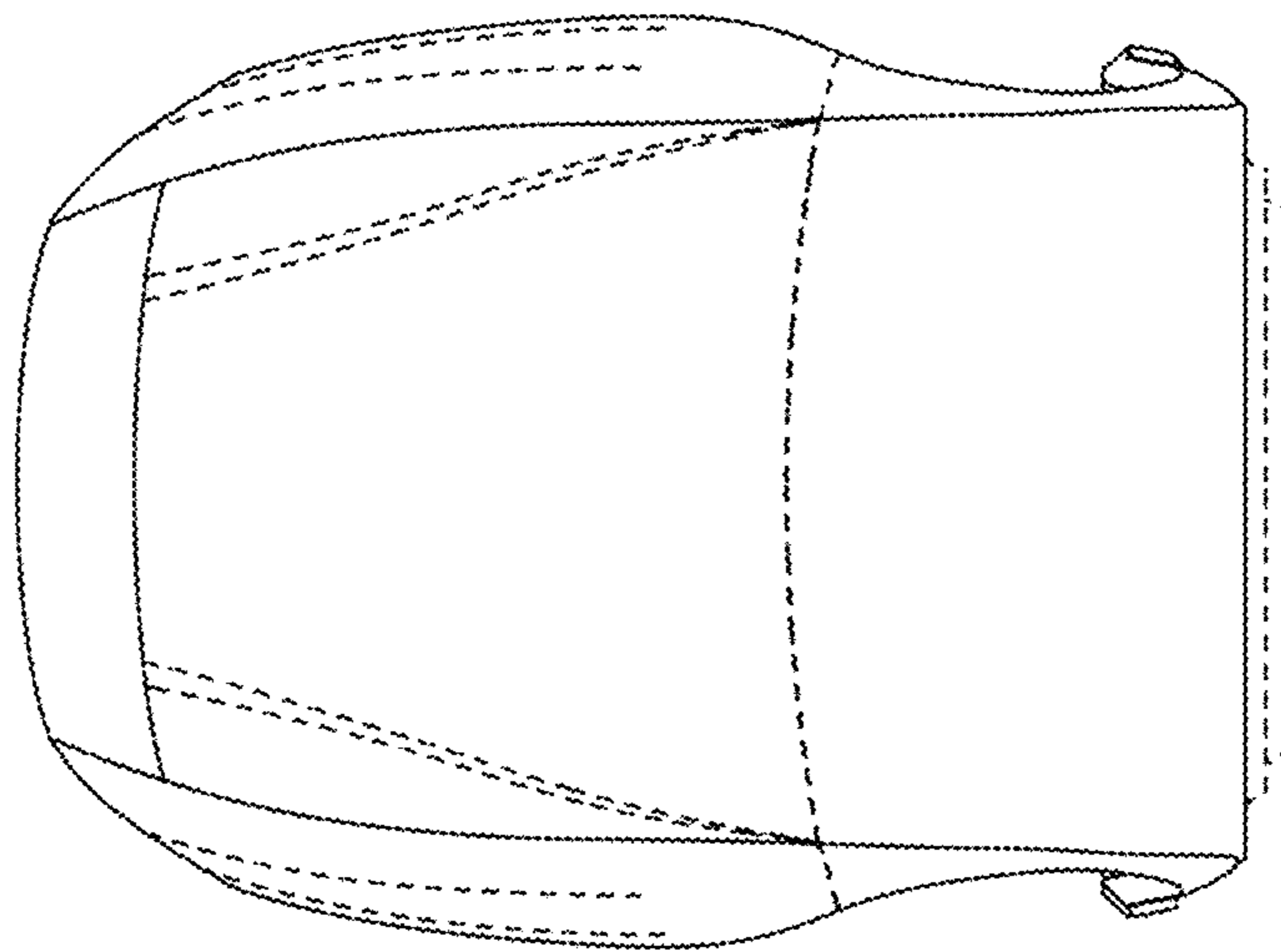


FIG. 17

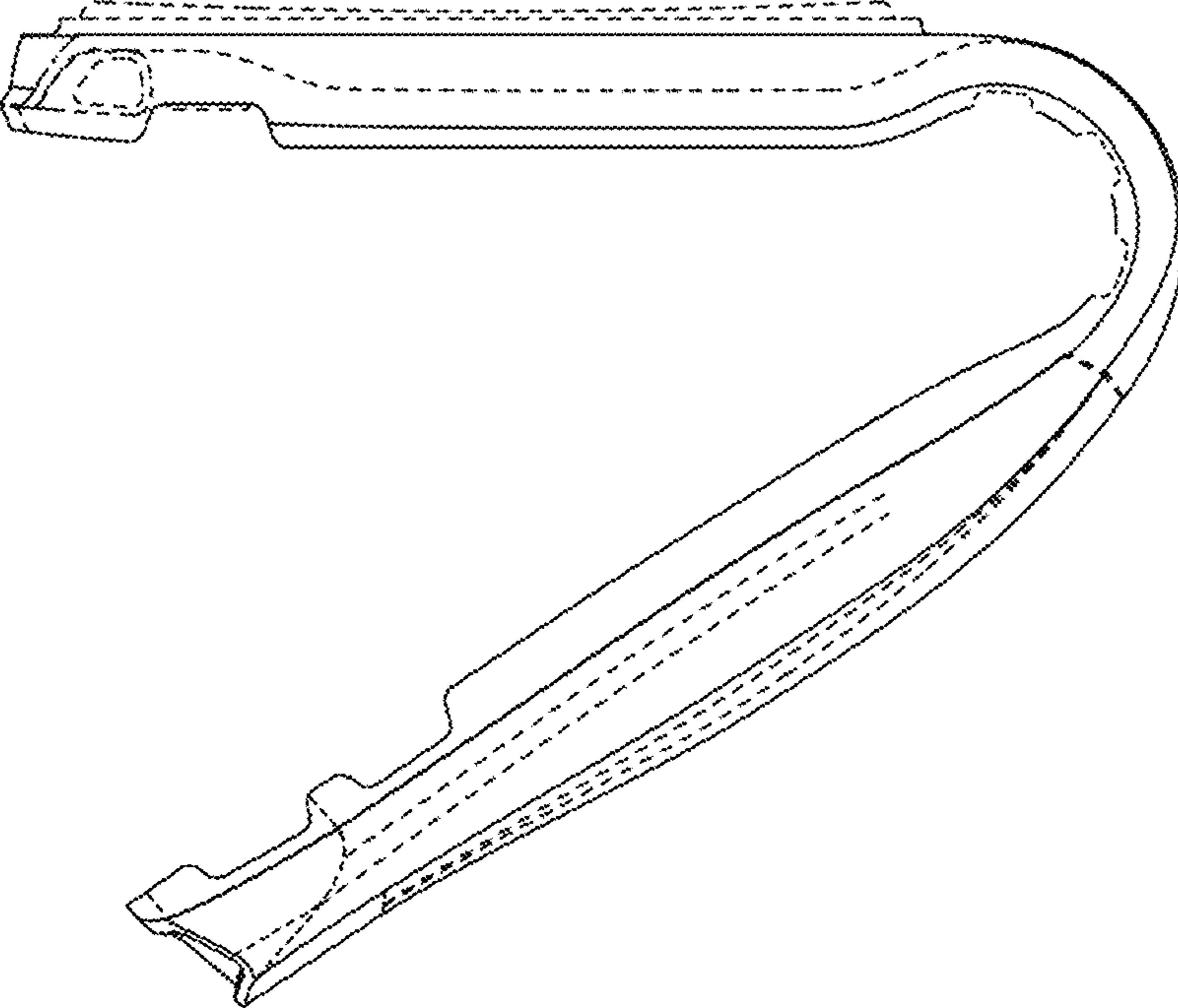


FIG. 18

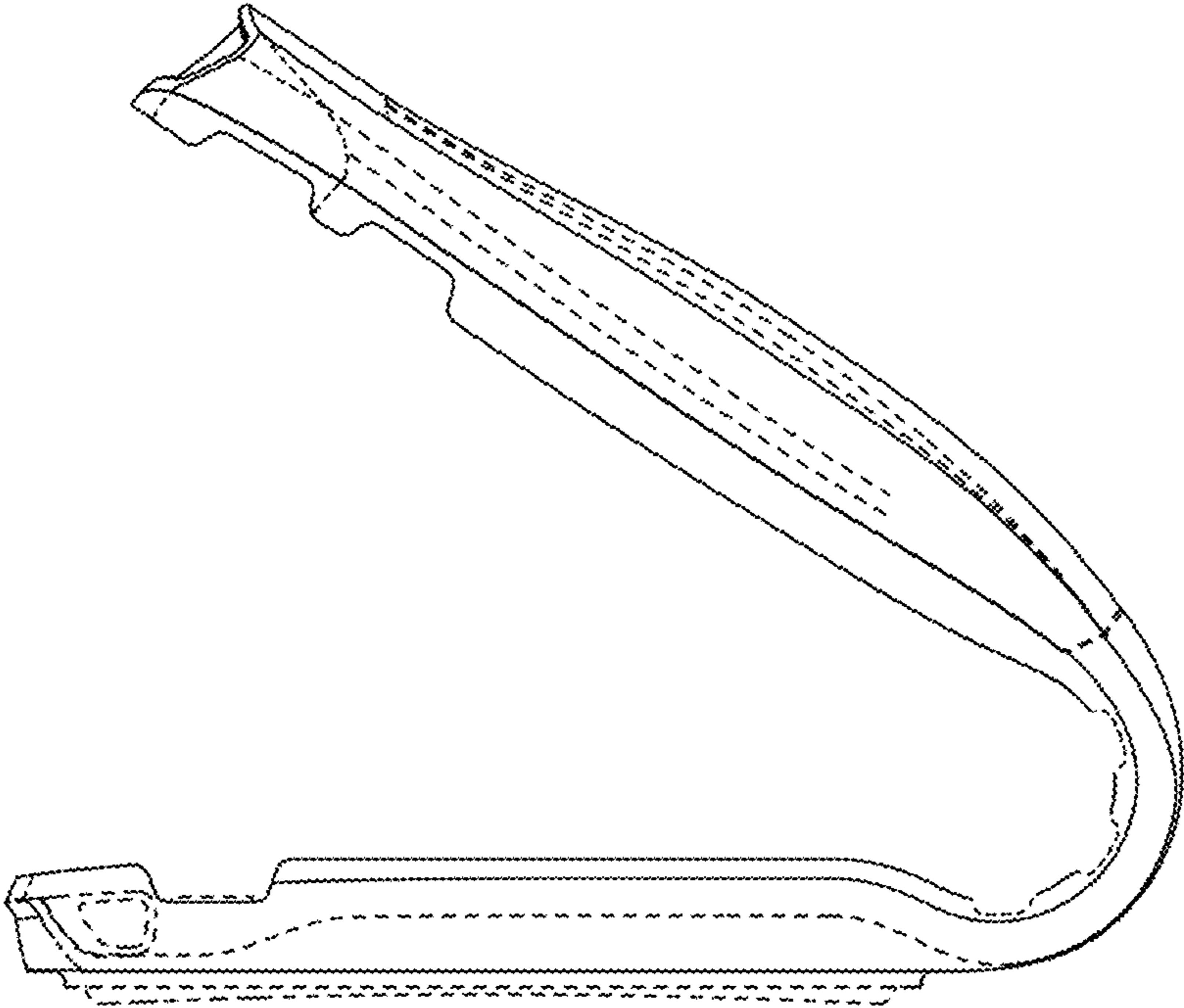




FIG. 19

