



US00D821288S

(12) **United States Design Patent**
Huang

(10) **Patent No.:** **US D821,288 S**
(45) **Date of Patent:** **** Jun. 26, 2018**

- (54) **LOAD-ASSIST CARGO BASKET**
- (71) Applicant: **Bestrident Ltd.**, Pushin Township,
Changhua County (TW)
- (72) Inventor: **Hsueh Li Huang**, Hsinchu (TW)
- (73) Assignee: **BESTRIDENT LTD.**, Pushin
Township, Changhua County (TW)
- (**) Term: **15 Years**
- (21) Appl. No.: **29/580,262**
- (22) Filed: **Oct. 6, 2016**
- (51) **LOC (11) Cl.** **12-16**
- (52) **U.S. Cl.**
USPC **D12/406**
- (58) **Field of Classification Search**
USPC D12/401-406; D6/610-611
CPC B60R 9/00; B60R 9/02; B60R 9/04; B60R
9/08; B60R 9/042; B60R 9/0423; B60R
9/0426; B60R 9/045; B60R 9/048; B60R
9/0485; B60R 9/05; B60R 9/052; B60R
9/055; B60R 9/058; B60R 9/06; B60R
9/065; B60R 9/10; B60R 9/12
See application file for complete search history.

- D743,870 S * 11/2015 Galley D12/406
- D755,686 S * 5/2016 Clark D12/406
- D809,996 S * 2/2018 Lee D12/406

* cited by examiner

Primary Examiner — Katrina A Betton
(74) *Attorney, Agent, or Firm* — Cheng-Ju Chiang

(57) **CLAIM**

The ornamental design for a load-assist cargo basket, as shown and described.

DESCRIPTION

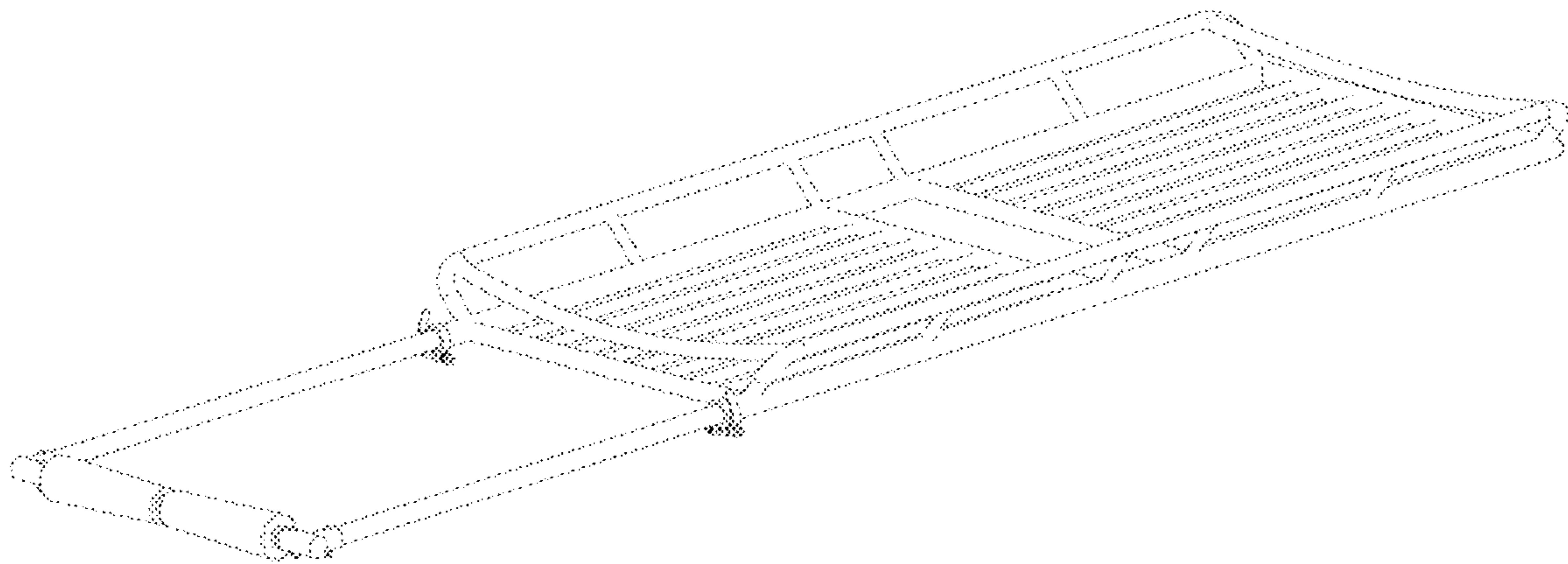
FIG. 1 is a front, left, top side perspective view of a load-assist cargo basket showing my new design;
 FIG. 2 is a front elevational view thereof;
 FIG. 3 is a rear elevational view thereof;
 FIG. 4 is a left side elevational view thereof;
 FIG. 5 is a right side elevational view thereof;
 FIG. 6 is a top plan view thereof;
 FIG. 7 is a bottom plan view thereof; and
 FIG. 8 is a front, left, top side perspective view of the load-assist cargo basket of FIG. 1 with an extension frame thereof stretching out;
 FIG. 9 is a front, left, top side perspective view of the load-assist cargo basket of FIG. 8 disposed above a vehicle for loading a kayak; and,
 FIG. 10 is a front, left, top side perspective view of the load-assist cargo basket of FIG. 1 disposed above the vehicle as shown in FIG. 9 with a kayak loaded above.
 The broken line portion of the drawings is included to show unclaimed subject matter only and forms no part of the claimed design.

1 Claim, 10 Drawing Sheets

(56) **References Cited**

U.S. PATENT DOCUMENTS

- D477,562 S * 7/2003 McCoy D12/406
- D508,014 S * 8/2005 Heravi D12/406
- D528,497 S * 9/2006 Ezra D12/406
- D593,927 S * 6/2009 Walton D12/406
- D629,858 S * 12/2010 Wilson D21/758
- D707,447 S * 6/2014 Eriksson D3/304



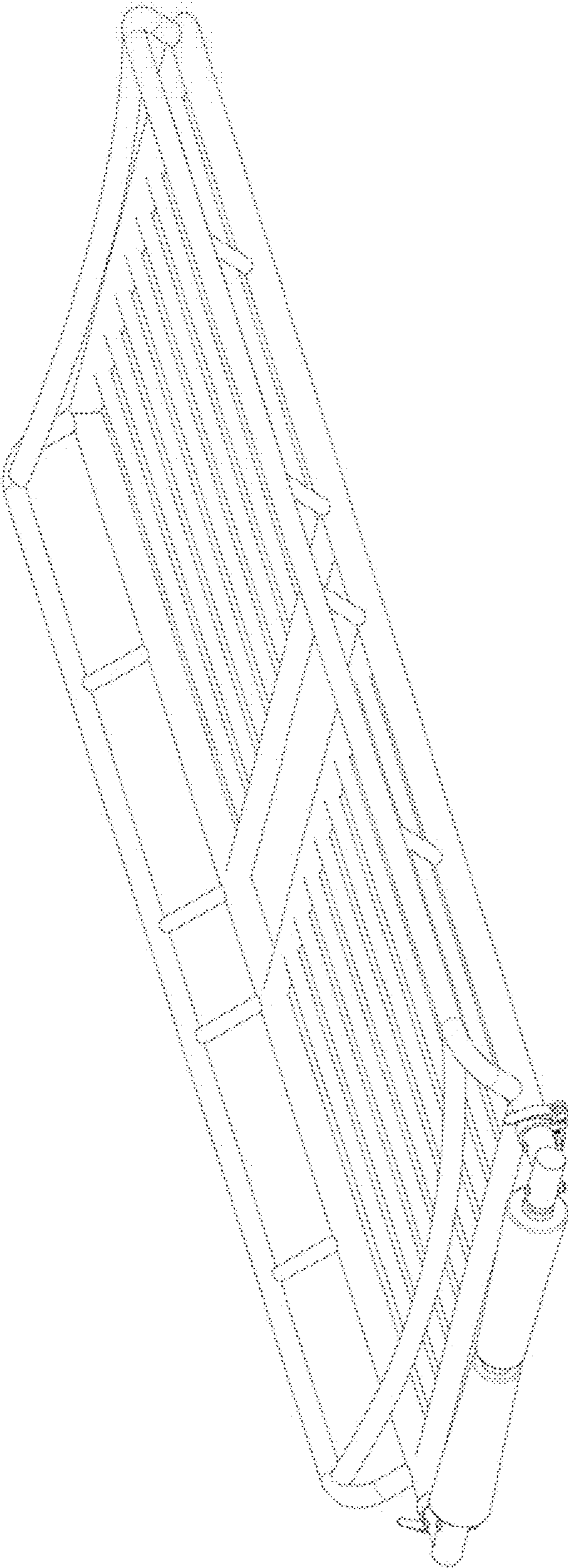


FIG. 1

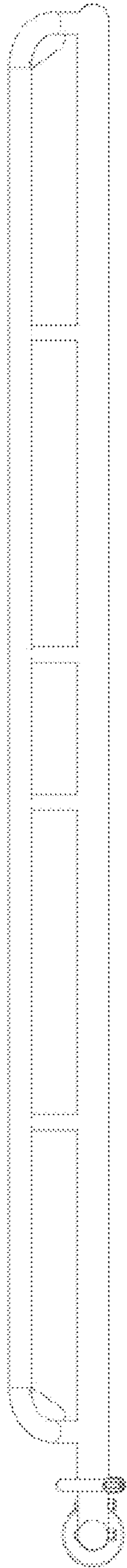


FIG. 2

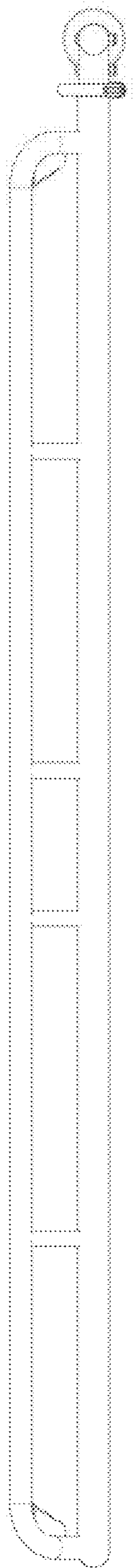


FIG. 3

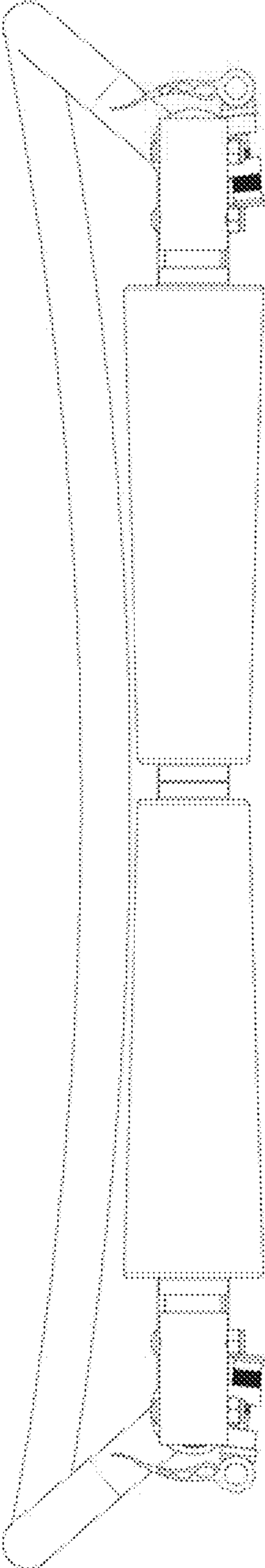


FIG. 4

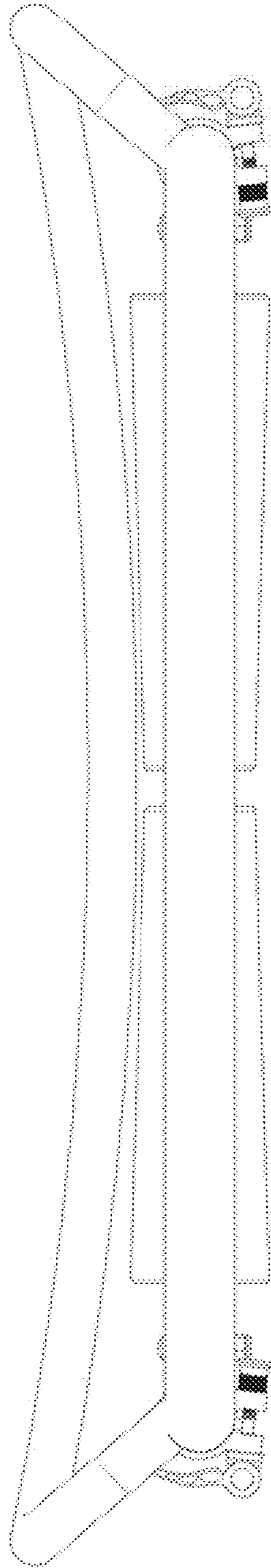


FIG. 5

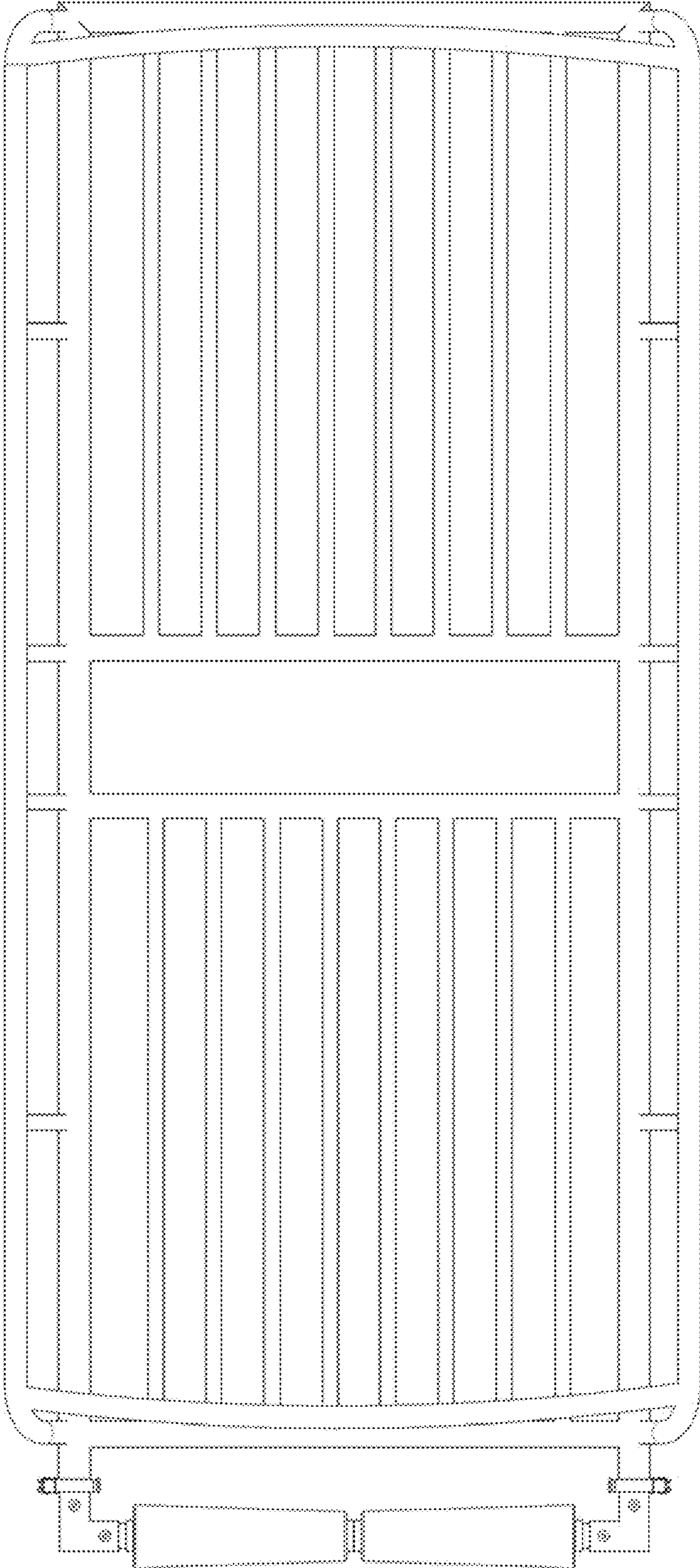


FIG. 6

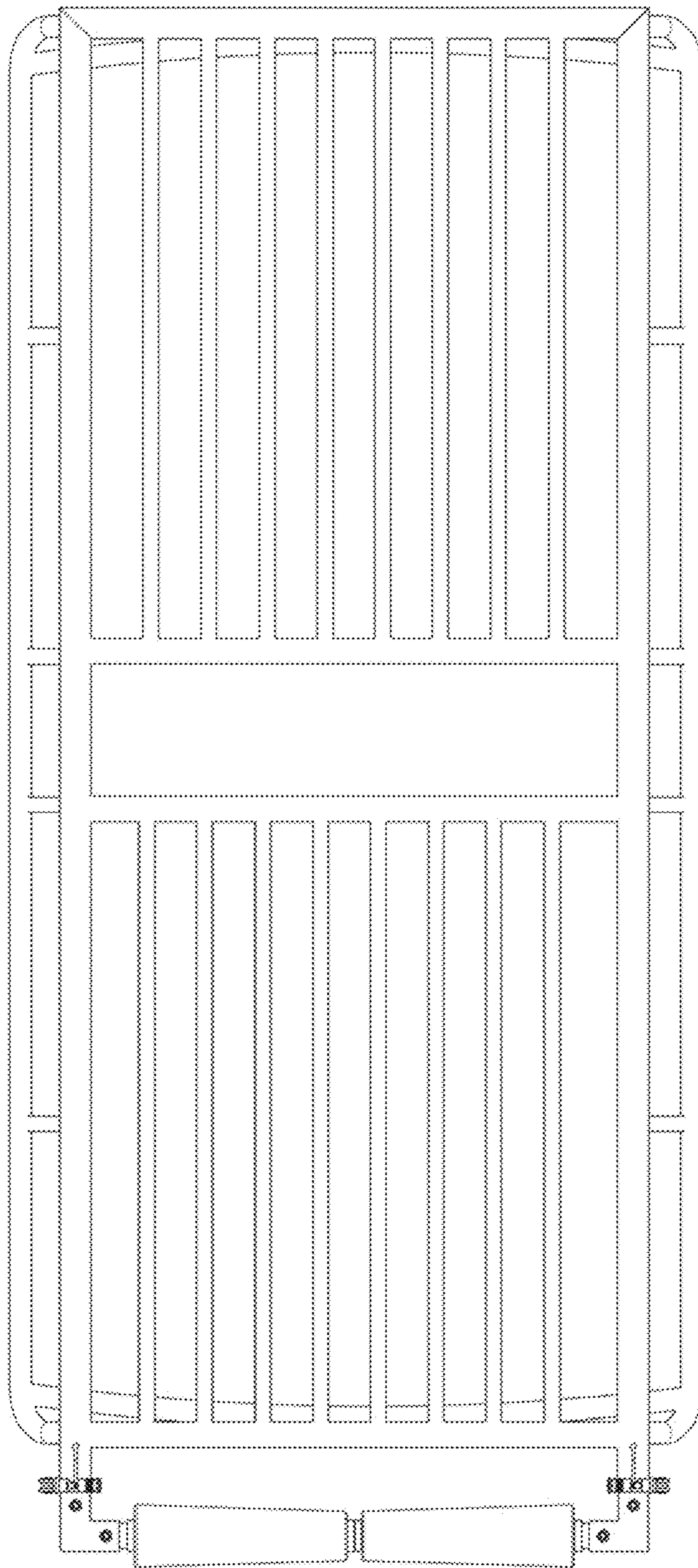


FIG. 7

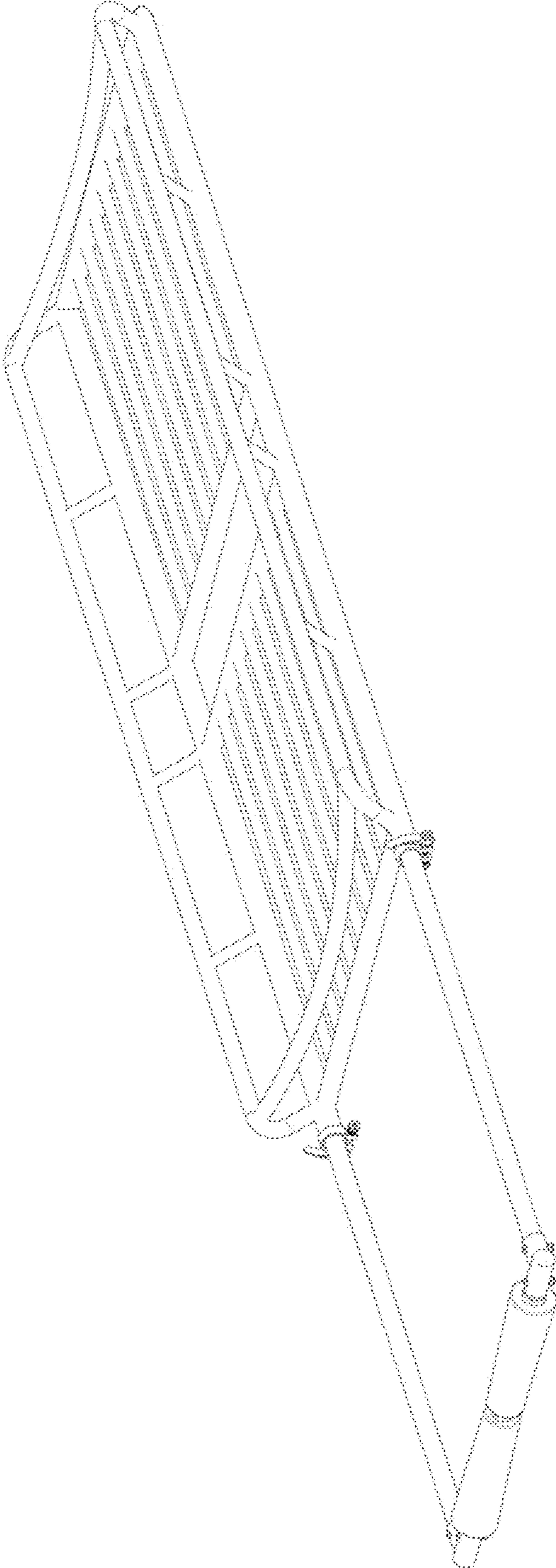


FIG. 8

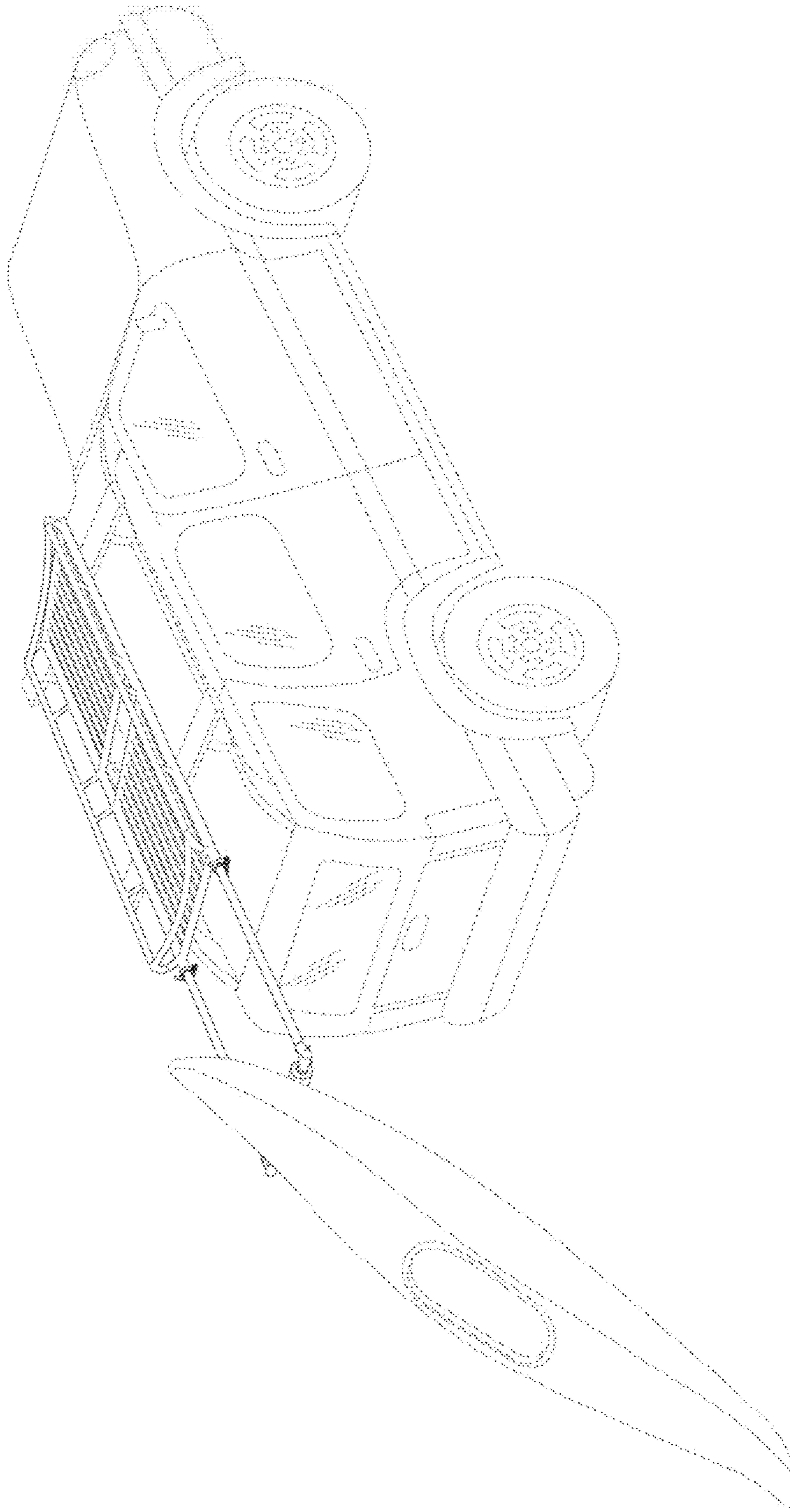


FIG. 9

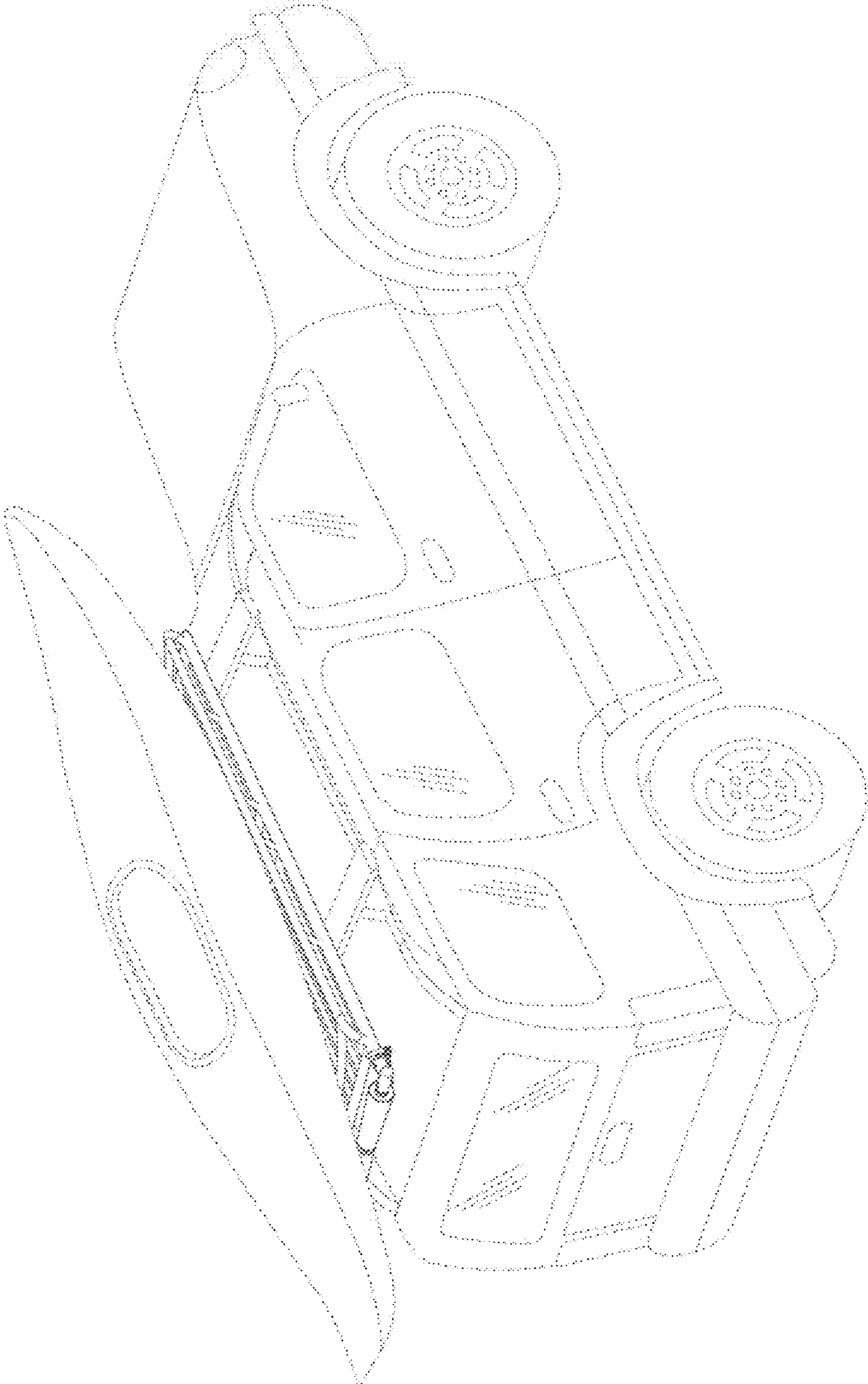


FIG. 10