



US00D821284S

(12) **United States Design Patent**  
**Tran**

(10) **Patent No.:** **US D821,284 S**

(45) **Date of Patent:** **\*\* Jun. 26, 2018**

(54) **WHEEL**

(71) Applicant: **Wheel Pros, LLC**, Greenwood Village, CO (US)

(72) Inventor: **Peter Tran**, Lake Hughes, CA (US)

(\*\*) Term: **15 Years**

(21) Appl. No.: **29/608,284**

(22) Filed: **Jun. 20, 2017**

(51) **LOC (11) Cl.** ..... **12-16**

(52) **U.S. Cl.**  
USPC ..... **D12/209**

(58) **Field of Classification Search**  
USPC ..... D12/204–213; D21/533, 561, 563  
CPC .... B60B 7/00; B60B 7/02; B60B 7/04; B60B 7/06; B60B 3/02; B60B 3/04; B60B 3/06; B60B 3/10; B60B 1/00; B60B 1/08; B60B 1/10; B60B 1/12

See application file for complete search history.

(56) **References Cited**

U.S. PATENT DOCUMENTS

D273,102 S	3/1984	Woodward	
D291,796 S	9/1987	Reid	
D361,975 S	9/1995	Weld	
5,676,430 A	10/1997	Wright et al.	
D391,216 S *	2/1998	Bollmann	D12/209
D408,775 S	4/1999	Shikado	
D453,492 S *	2/2002	Laengerer	D12/209
D453,724 S	2/2002	Hodges	
D455,698 S	4/2002	Chung	
D464,010 S	10/2002	Chung	
D467,212 S	12/2002	Noriega	
D470,094 S	2/2003	van Hooydonk	
D478,542 S	8/2003	Sulahian	
D480,036 S	9/2003	Laengerer	
D482,996 S	12/2003	Sulahian	

D492,925 S	7/2004	Fitzgerald	
D496,317 S	9/2004	Kataoka	
D499,684 S	12/2004	Cheng	
D502,438 S	3/2005	Weld	
D504,859 S	5/2005	Sulahian	
D505,374 S *	5/2005	Aleman	D12/209
D510,307 S *	10/2005	Howes	D12/209
D513,486 S	1/2006	Rivera	
D519,433 S	4/2006	Finn	
D523,797 S *	6/2006	Gallert	D12/209
D524,212 S *	7/2006	Phillips	D12/209
D524,220 S	7/2006	Scheu	
D528,495 S	9/2006	Truebsbach	
D528,954 S *	9/2006	Laengerer	D12/209
D535,601 S	1/2007	Beigel et al.	
D538,726 S	3/2007	Wright	
D538,727 S	3/2007	Wright	
D542,209 S	5/2007	Pfeiffer	
D549,148 S *	8/2007	Buschmann	D12/209
D550,600 S	9/2007	Celik	
D552,525 S	10/2007	Celik	
D553,068 S	10/2007	Celik	
D569,777 S	5/2008	Chung	
D576,093 S	9/2008	Chung	

(Continued)

*Primary Examiner* — Sheryl Lane

*Assistant Examiner* — Calvin E Vansant

(74) *Attorney, Agent, or Firm* — Eric Hanscom

(57) **CLAIM**

The ornamental design for a wheel, as shown and described.

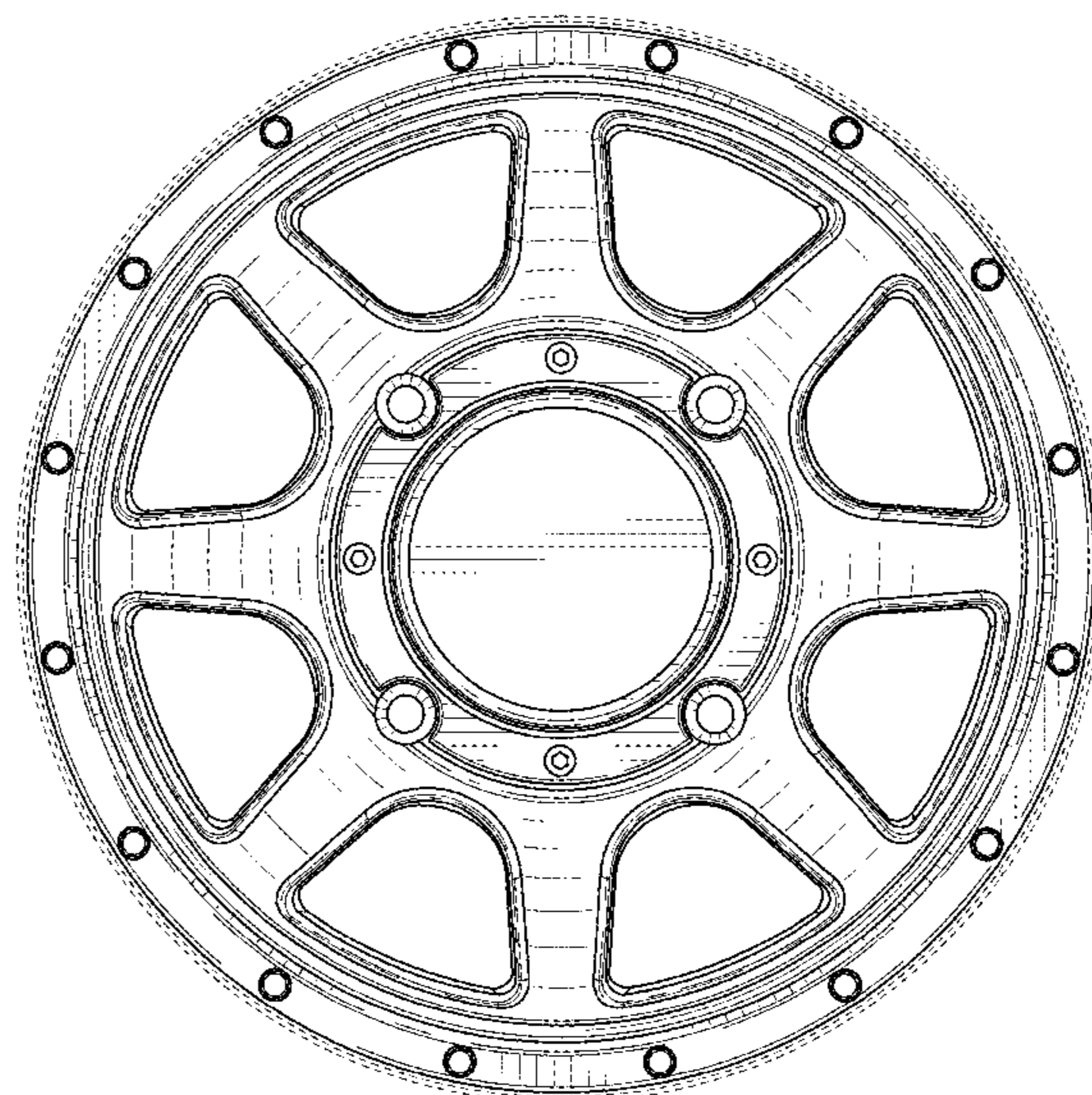
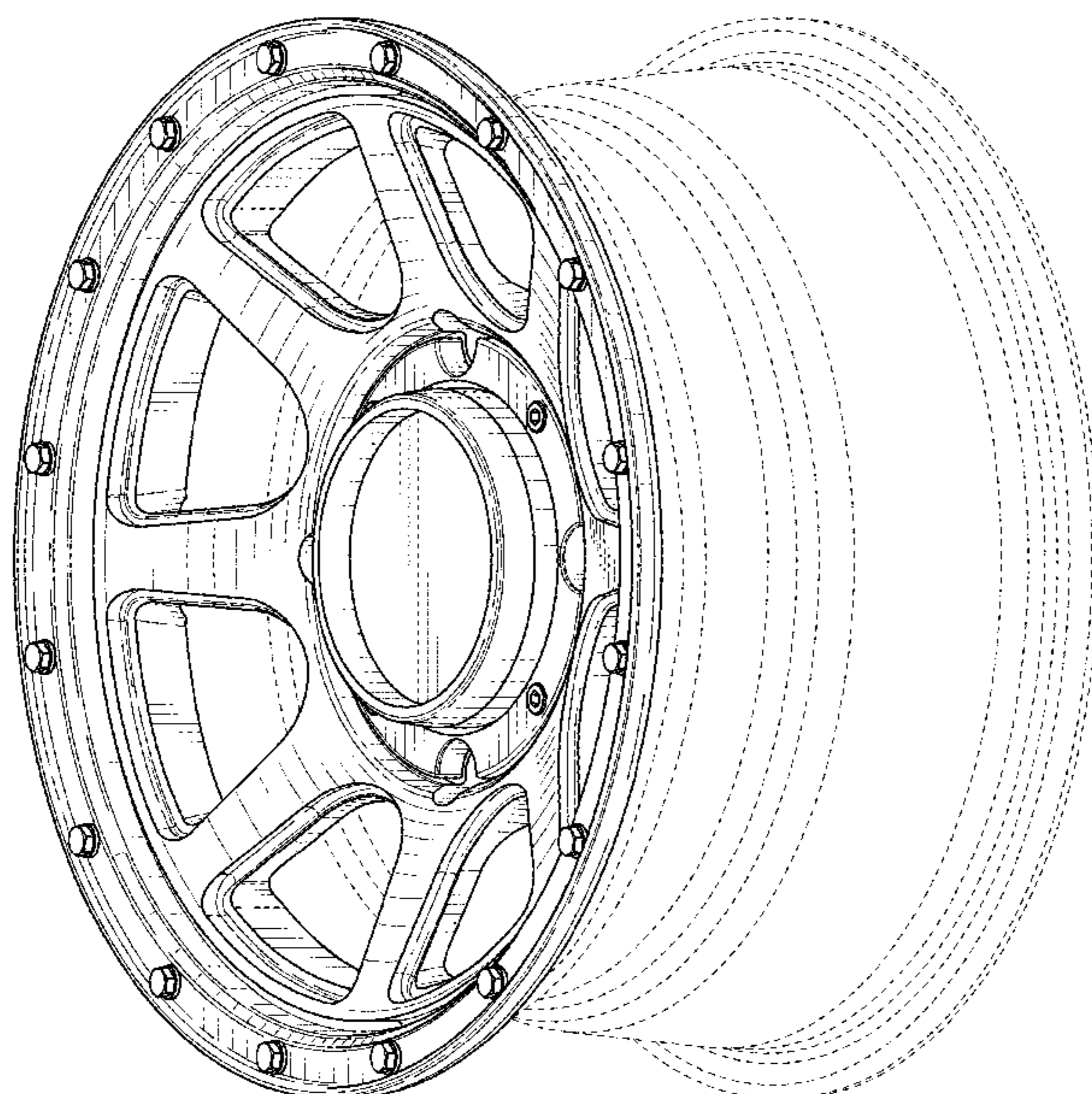
**DESCRIPTION**

FIG. 1 is a perspective view of a wheel showing my new design; and,

FIG. 2 is a front view thereof.

The broken lines depict portions of the wheel that form no part of the claim. Applicant is claiming the front portion of the wheel only and makes no claim to the ornamental design of the sides or back of the wheel.

**1 Claim, 2 Drawing Sheets**



(56)

References Cited

U.S. PATENT DOCUMENTS

D576,936 S	9/2008	Imai	D706,197 S	6/2014	Chung	
D577,650 S	9/2008	Chung	D707,167 S	6/2014	Chung	
D578,457 S	10/2008	Guidry	D709,020 S	7/2014	Chung	
D579,845 S	11/2008	Chung	D711,304 S	8/2014	Chung	
D582,827 S	12/2008	Musser	D713,316 S	9/2014	Song	
D582,831 S	12/2008	Musser	D714,207 S	9/2014	Kim	
D583,290 S	12/2008	Wang	D714,705 S	10/2014	Kong	
D585,801 S	2/2009	Wang	D714,706 S	10/2014	Chung	
D596,099 S	7/2009	Chung	D715,211 S	10/2014	Gotschke	
D598,357 S	8/2009	Chung	D717,709 S	11/2014	Valencia Pollex	
D599,266 S	9/2009	Bierenbreier	D719,893 S	* 12/2014	Kim	D12/211
D612,316 S	3/2010	Sanschagrín	D726,628 S	4/2015	Kong	
D613,659 S	4/2010	Cortes	D726,630 S	4/2015	Kong	
D617,723 S	6/2010	Zhao	D731,946 S	6/2015	Chung	
D619,073 S	7/2010	Groom	D733,027 S	6/2015	Chung	
D620,864 S	8/2010	Groom	D735,104 S	7/2015	Hodges	
D620,873 S	8/2010	Groom	D739,803 S	9/2015	Miansian	
D623,109 S	9/2010	Markefka	D742,293 S	11/2015	Chung	
D625,235 S	10/2010	Nissl	D748,556 S	2/2016	Valencia Pollex	
D627,697 S	11/2010	Wang	D749,030 S	2/2016	Zhao	
D635,903 S	4/2011	Zhang	D750,003 S	2/2016	Ahmad	
D638,767 S	5/2011	Groom	9,266,386 B2	2/2016	Wang	
D651,150 S	12/2011	Blewer	D751,017 S	* 3/2016	Chung	D12/209
D651,151 S	12/2011	Blewer	D753,046 S	4/2016	Liffick	
D654,007 S	2/2012	Nissl	D755,694 S	5/2016	Valencia Pollex	
D654,420 S	2/2012	Guay et al.	D756,282 S	* 5/2016	Zhao	D12/209
D660,771 S	5/2012	Mueller-Stolz	D756,287 S	5/2016	Koglin	
D666,960 S	9/2012	Chung	D756,882 S	5/2016	Tirado	
D669,009 S	10/2012	Chung	D764,373 S	8/2016	Valencia Pollex	
D680,938 S	4/2013	Hale	D766,805 S	9/2016	Chung	
D682,762 S	* 5/2013	Hale, Jr.	D769,166 S	10/2016	Juergens	
D684,516 S	6/2013	Bennion	D769,785 S	10/2016	Wells	
D686,961 S	* 7/2013	Chung	D770,960 S	11/2016	Svensson	
D695,193 S	12/2013	Kong	D775,578 S	1/2017	Johnson	
D698,298 S	1/2014	Cortes	D780,655 S	3/2017	Trim	
D698,300 S	1/2014	Chung	D781,201 S	* 3/2017	Ninov	D12/209
D702,172 S	4/2014	Chung	D788,007 S	* 5/2017	Platto	D12/211
D704,116 S	* 5/2014	Chung	D792,308 S	* 7/2017	Guo	D12/209
D704,117 S	* 5/2014	Chung	D793,318 S	* 8/2017	Guo	D12/209
D704,617 S	5/2014	Chung	D800,630 S	* 10/2017	Tran	D12/209
			D802,509 S	* 11/2017	Tran	D12/209

\* cited by examiner



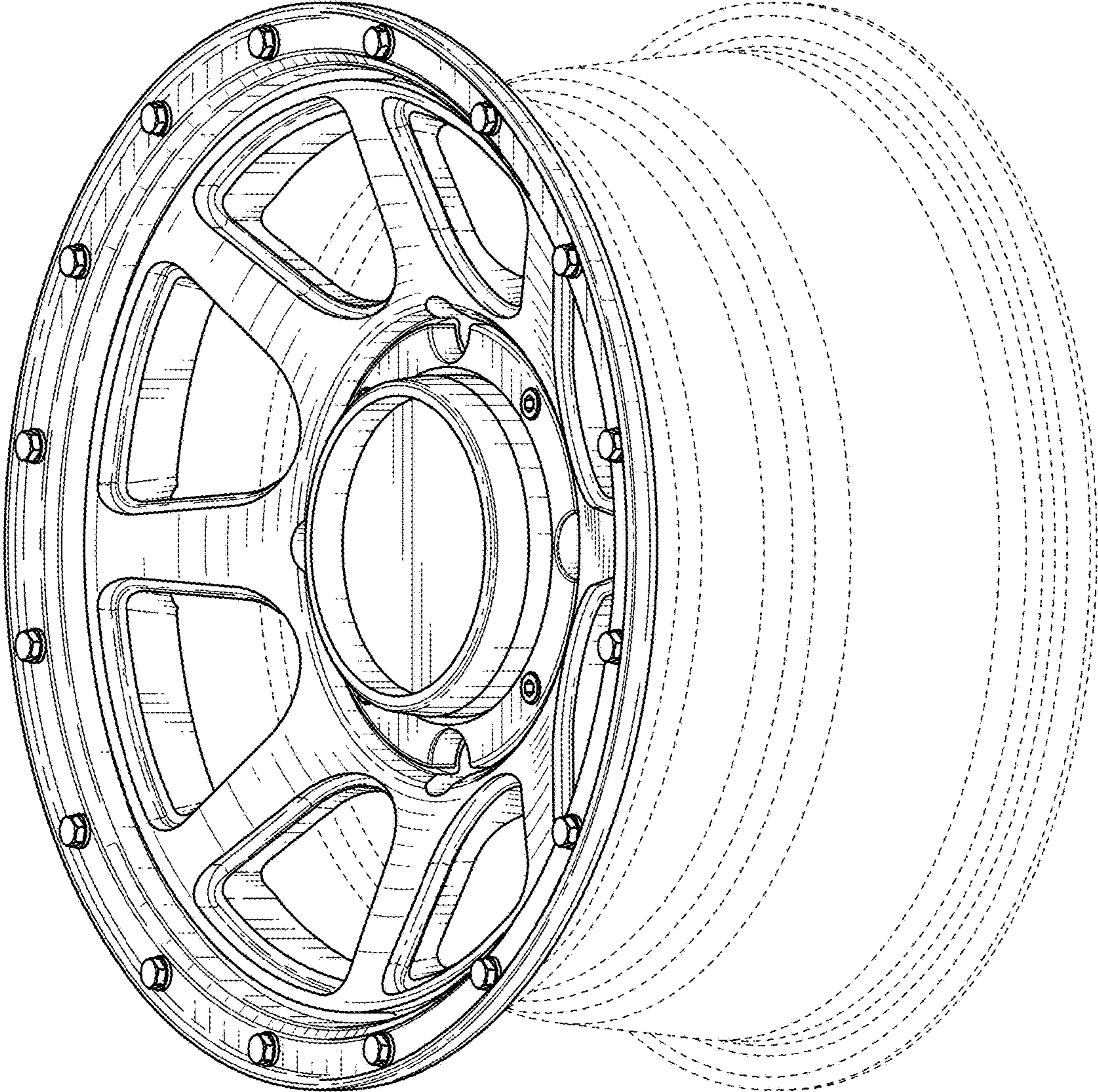


FIG. 1

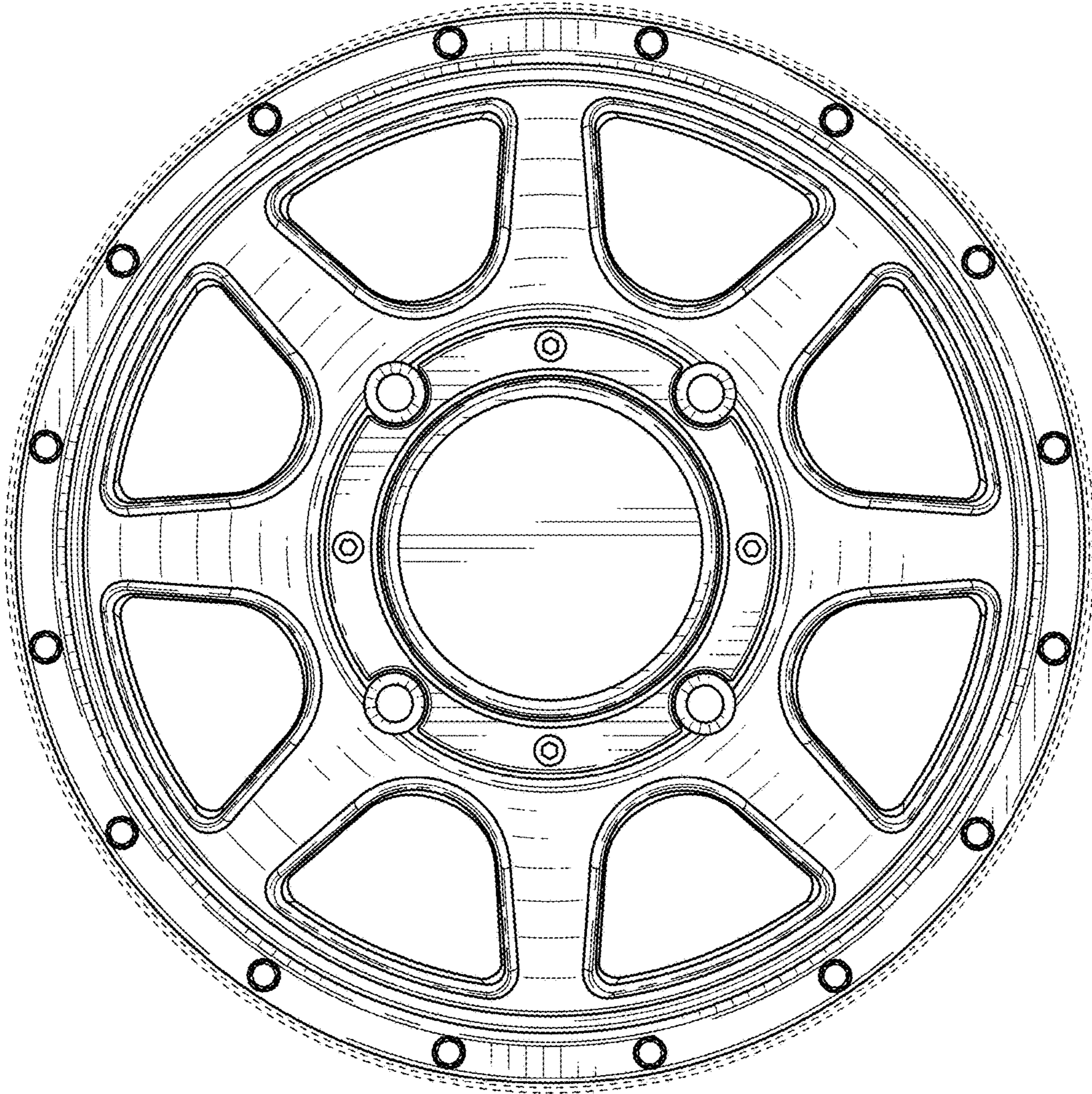


FIG. 2