



US00D821280S

(12) **United States Design Patent** (10) **Patent No.:** **US D821,280 S**  
**Szavits** (45) **Date of Patent:** **\*\* Jun. 26, 2018**

(54) **REAR FENDER FOR A VEHICLE**  
(71) Applicant: **Bayerische Motoren Werke Aktiengesellschaft, Munich (DE)**  
(72) Inventor: **Michael Szavits, Munich (DE)**  
(73) Assignee: **Bayerische Motoren Werke Aktiengesellschaft, Munich (DE)**  
(\*\*) Term: **15 Years**  
(21) Appl. No.: **29/581,554**  
(22) Filed: **Oct. 20, 2016**  
(30) **Foreign Application Priority Data**

Apr. 21, 2016 (DE) ..... 40 2016 100 513

(51) **LOC (11) Cl.** ..... **12-16**  
(52) **U.S. Cl.**  
USPC ..... **D12/196**  
(58) **Field of Classification Search**  
USPC ..... D12/163-165, 167, 169, 172, 181-184, D12/196, 400, 202, 190-191, 315, D12/317-318  
CPC .. B62D 33/0273; B62D 25/087; B62D 25/16; B62D 25/02; B62D 35/007; B62D 35/001; B60J 5/101; B60J 5/10; B60J 5/107; B60J 10/02; B60J 1/04; B60J 1/02  
See application file for complete search history.

(56) **References Cited**

**U.S. PATENT DOCUMENTS**

D615,012 S \* 5/2010 Ectors ..... D12/181  
D615,013 S \* 5/2010 Lamm ..... D12/181  
D626,044 S \* 10/2010 Yamazaki ..... D12/181  
D626,045 S \* 10/2010 Cogswell ..... D12/181  
D630,988 S 1/2011 Schneider  
D642,101 S \* 7/2011 Faghihzadeh ..... D12/181  
D686,125 S \* 7/2013 McCabe ..... D12/184

D699,644 S \* 2/2014 Futschik ..... D12/181  
D699,649 S \* 2/2014 Okue ..... D12/184  
D711,797 S \* 8/2014 Tsuchida ..... D12/184  
D741,761 S 10/2015 Mueller-Stolz  
9,278,716 B1 \* 3/2016 Joseph ..... B62D 25/18  
D756,278 S \* 5/2016 Ino ..... D12/184  
D762,151 S \* 7/2016 Luk ..... D12/184  
D763,753 S \* 8/2016 Hammoud ..... D12/184  
D764,362 S \* 8/2016 Pevovar ..... D12/184  
D764,988 S \* 8/2016 Faghihzadeh ..... D12/184  
D766,148 S \* 9/2016 Schneider ..... D12/184  
D766,149 S \* 9/2016 Kim ..... D12/184  
D767,460 S \* 9/2016 Kozub ..... D12/196  
D768,551 S \* 10/2016 Arroba ..... D12/196  
D769,162 S \* 10/2016 Rodriguez ..... D12/184  
D775,031 S \* 12/2016 Frascella ..... D12/184  
D780,081 S \* 2/2017 Lee ..... D12/184  
D781,192 S \* 3/2017 Kozub ..... D12/181  
9,669,876 B2 \* 6/2017 Iwano ..... B62D 25/02

(Continued)

**FOREIGN PATENT DOCUMENTS**

WO WO DM/072779 6/2010

*Primary Examiner* — Ruth McNroy  
(74) *Attorney, Agent, or Firm* — Crowell & Moring LLP

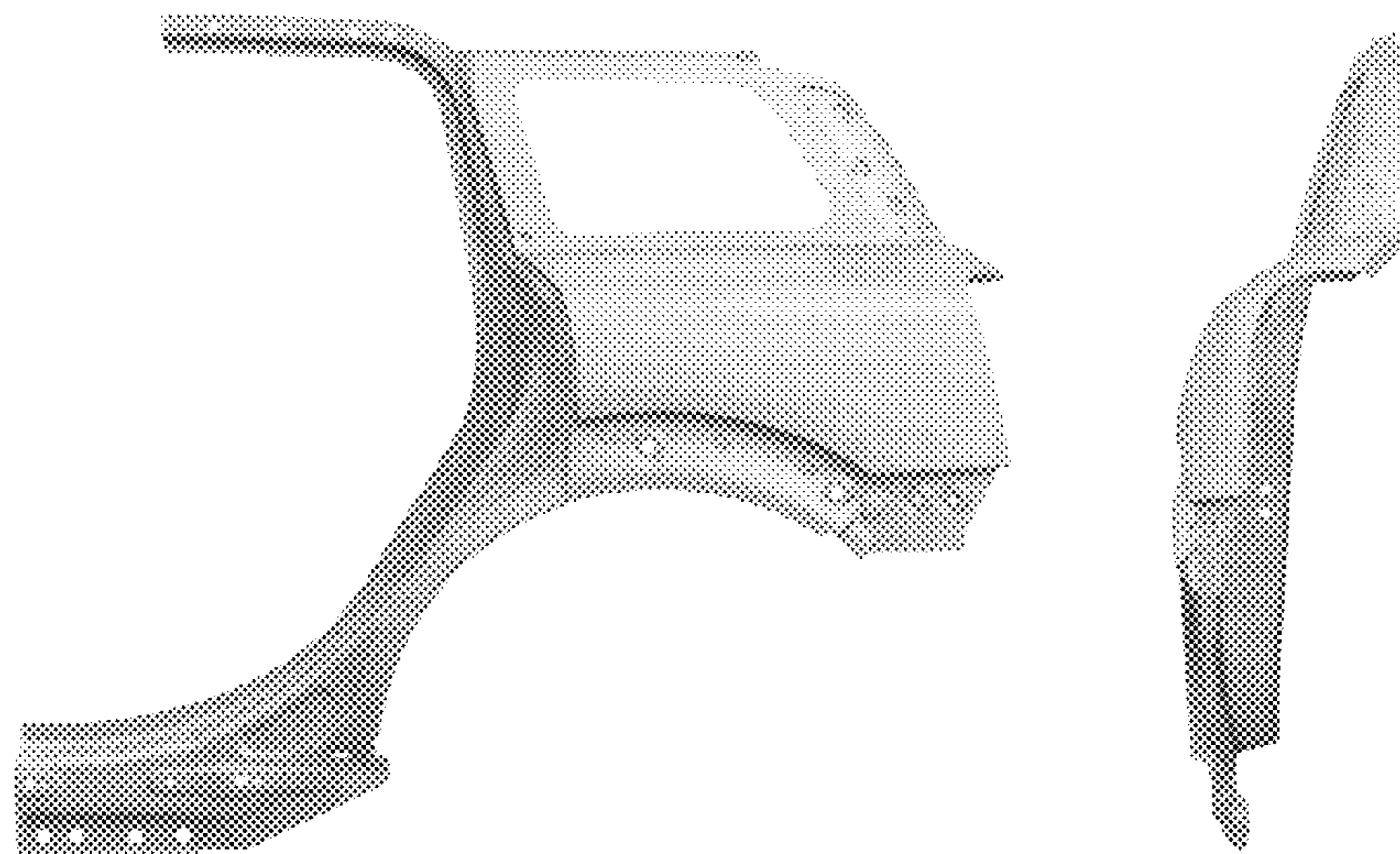
(57) **CLAIM**

The ornamental design for a rear fender for a vehicle, as shown and described.

**DESCRIPTION**

FIG. 1 is a front view of a rear fender for a vehicle showing my new design;  
FIG. 2 is a left, front perspective view thereof;  
FIG. 3 is a rear perspective view thereof;  
FIG. 4 is a left side view thereof;  
FIG. 5 is a right side view thereof;  
FIG. 6 is a top view thereof;  
FIG. 7 is a bottom view thereof; and,  
FIG. 8 is a rear view thereof.

**1 Claim, 8 Drawing Sheets**



(56)

**References Cited**

U.S. PATENT DOCUMENTS

D797,624 S \* 9/2017 Nakamura ..... D12/184  
D797,625 S \* 9/2017 Perkins ..... D12/184

\* cited by examiner

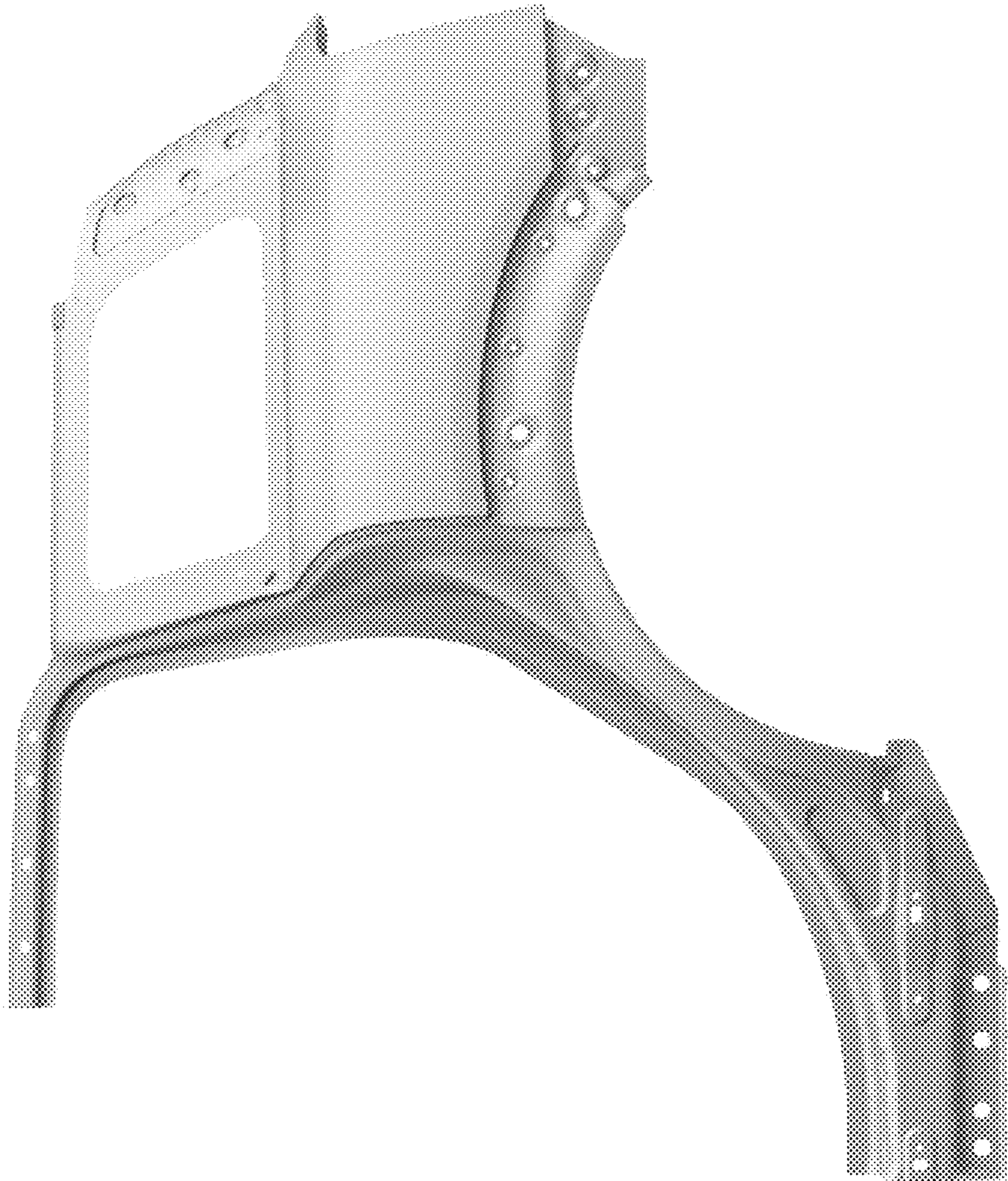


Fig. 1

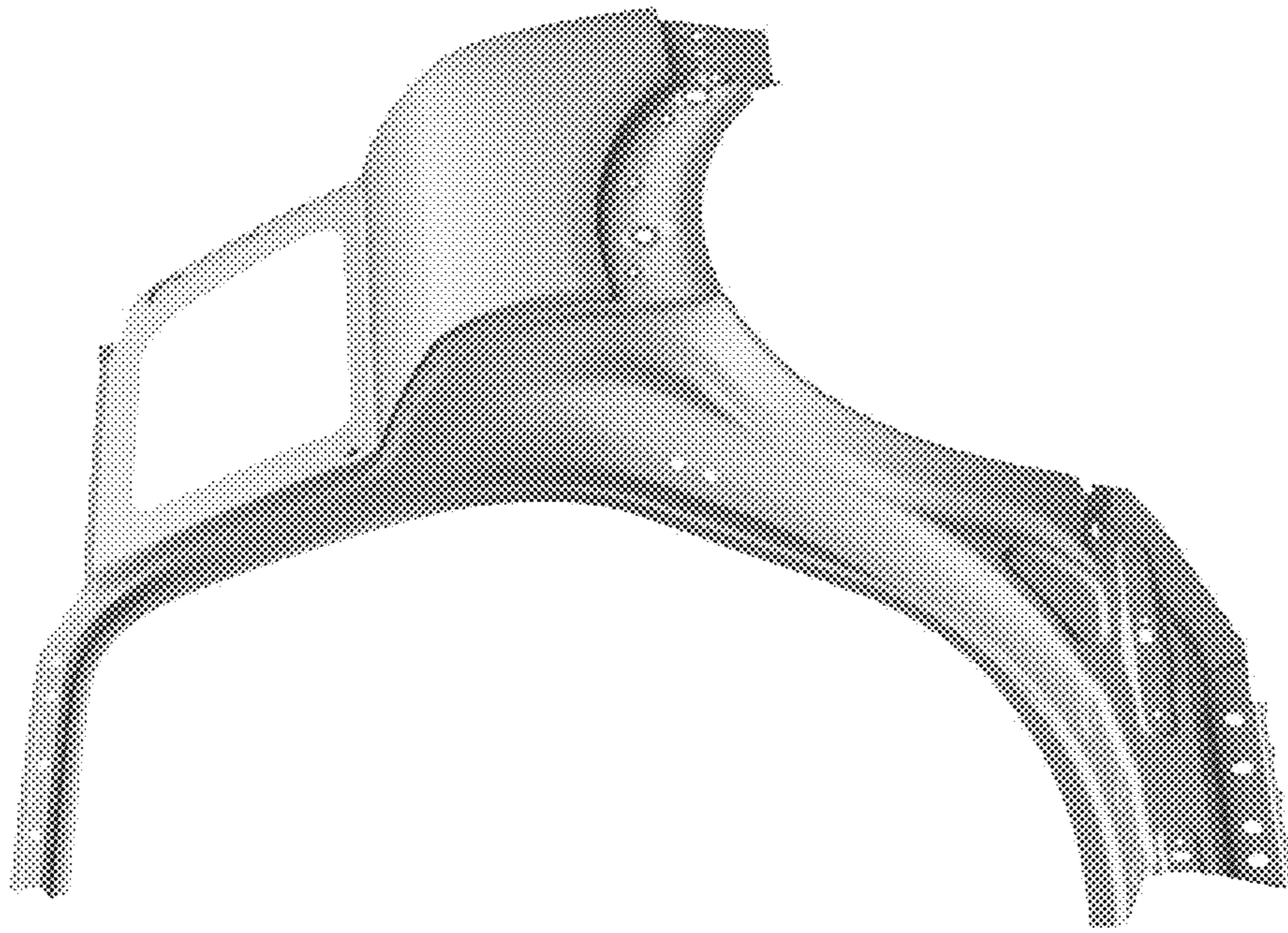


Fig. 2

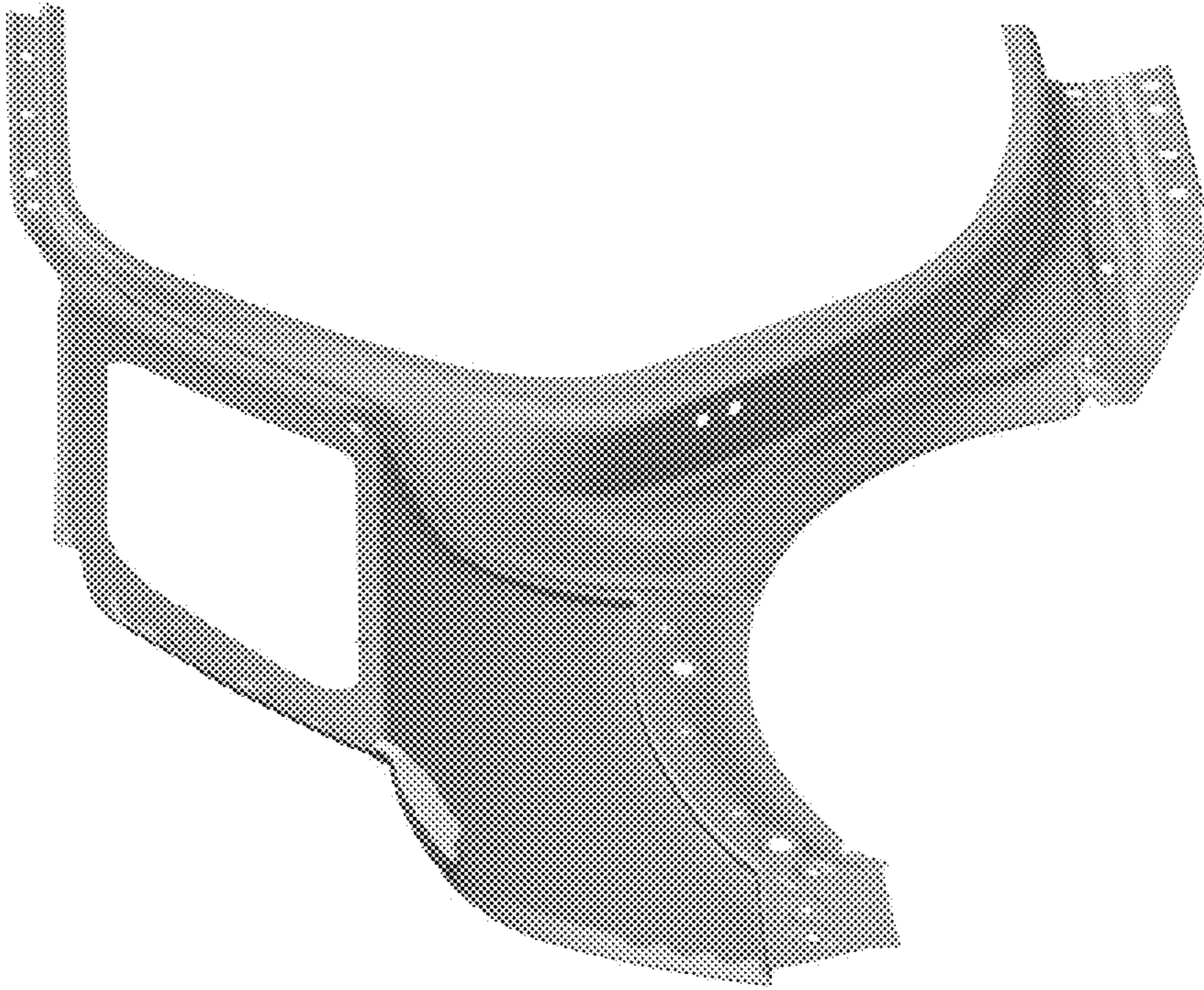


Fig. 3



Fig. 4

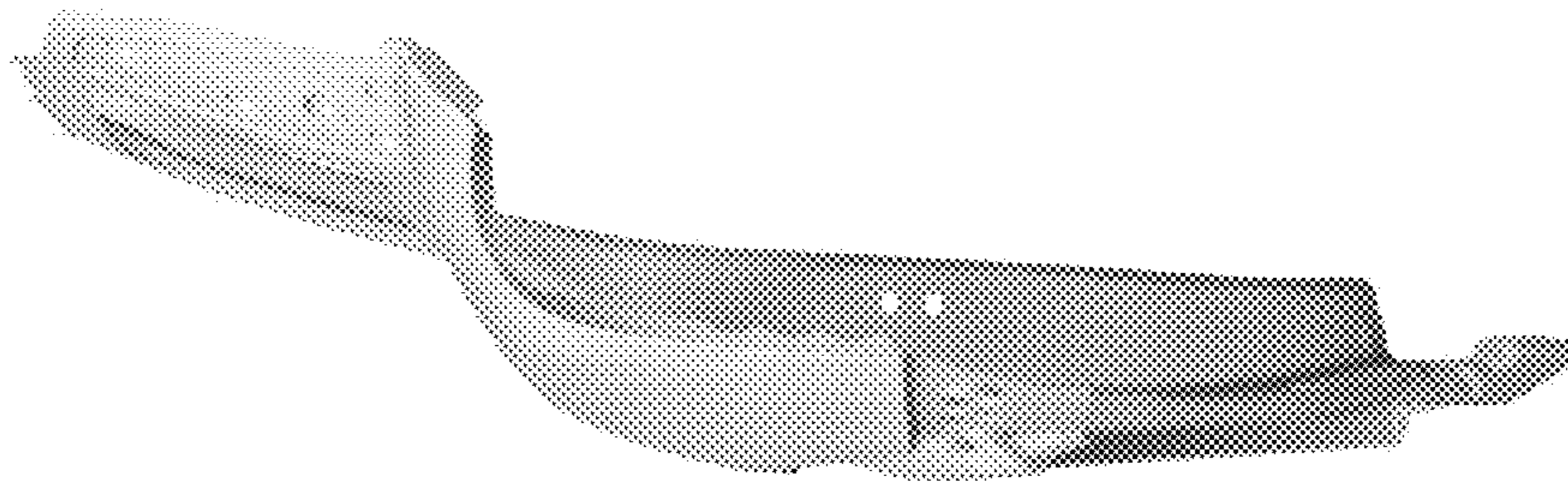


Fig. 5

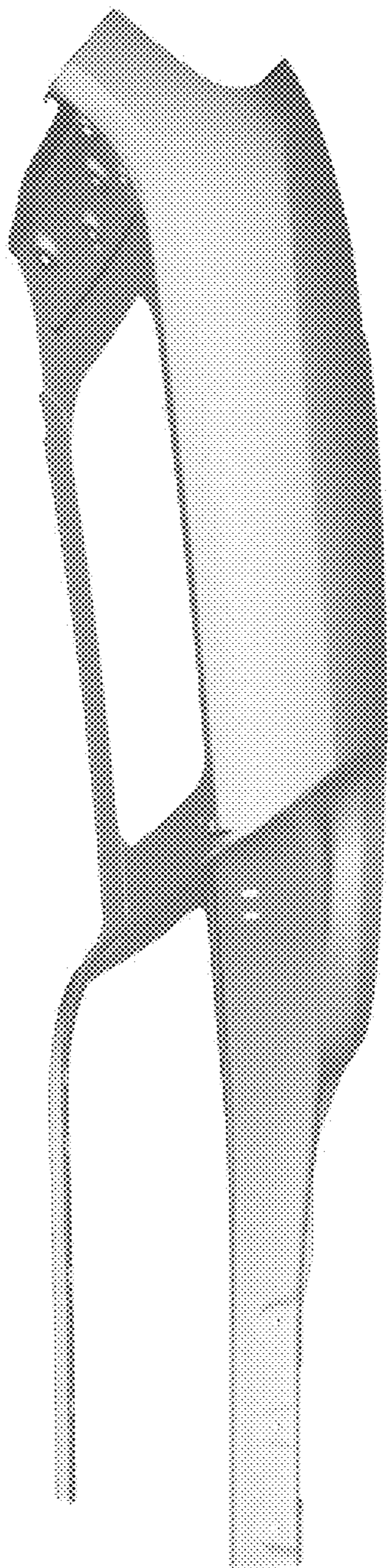


Fig. 6



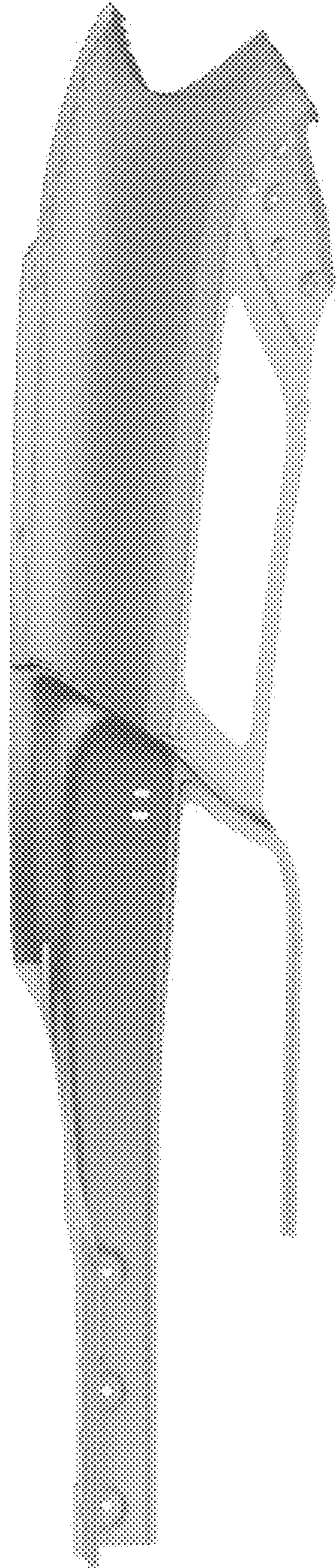


Fig. 7

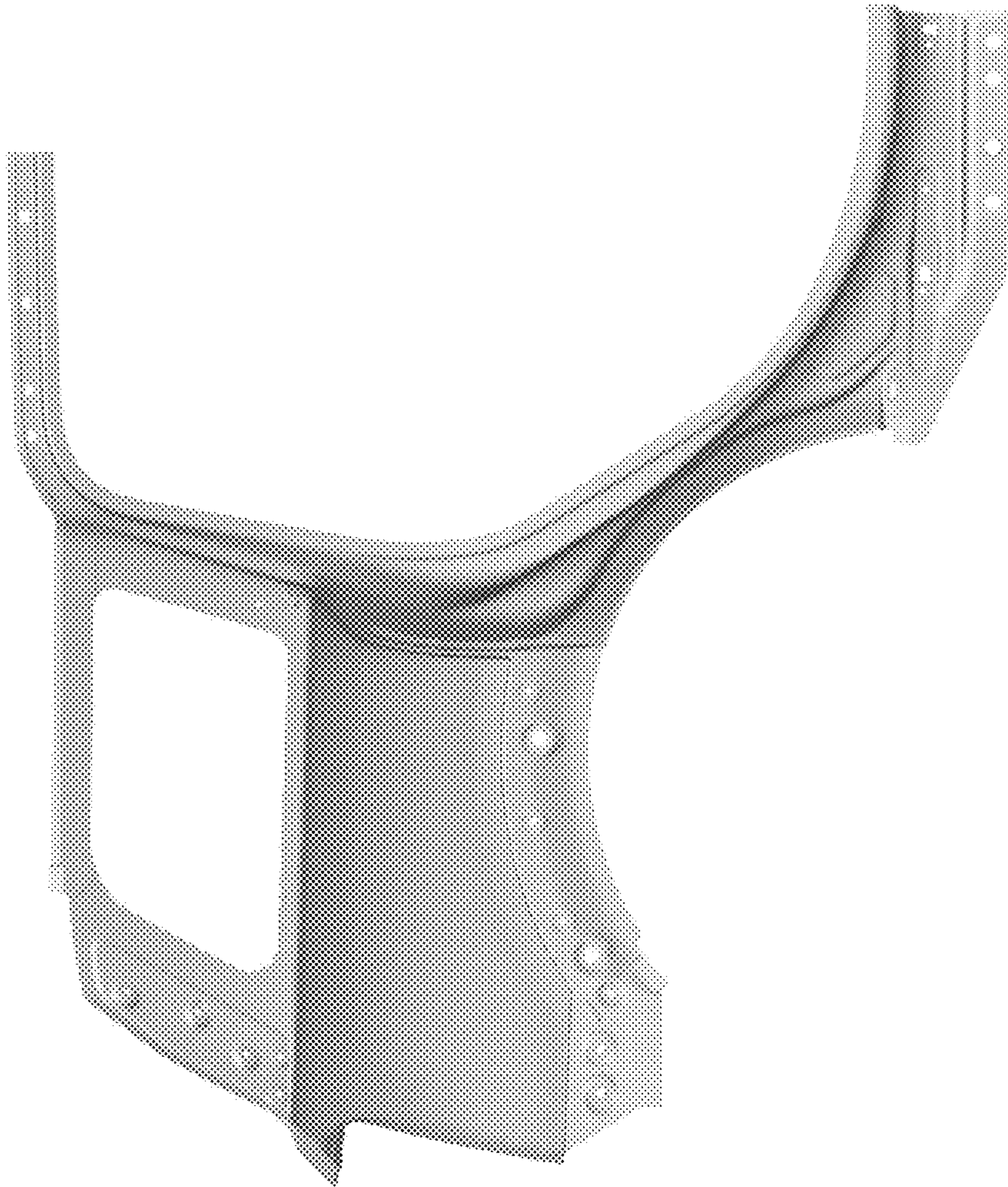


Fig. 8