



US00D821263S

(12) **United States Design Patent**
Goldy

(10) **Patent No.:** **US D821,263 S**

(45) **Date of Patent:** **** Jun. 26, 2018**

- (54) **UNMANNED AERIAL VEHICLE**
- (71) Applicant: **Trend Right Research and Development Corporation**, New York, NY (US)
- (72) Inventor: **Robert Goldy**, New York, NY (US)
- (73) Assignee: **Trend Right Research and Development Corporation**, New York, NY (US)

- D795,784 S * 8/2017 Guo D12/328
- D795,967 S * 8/2017 Haley D12/16.1
- 9,738,381 B1 * 8/2017 Loud B64C 39/024
- D796,586 S * 9/2017 Chen D12/16.1
- D797,602 S * 9/2017 Li D12/16.1
- 9,751,625 B2 * 9/2017 Phan B64C 39/024
- D798,961 S * 10/2017 Li D21/441
- D801,224 S * 10/2017 Li D12/16.1
- 9,783,294 B2 * 10/2017 Johannesson B64C 39/024

(Continued)

Primary Examiner — Robert M. Spear
Assistant Examiner — Marissa J Cash
 (74) *Attorney, Agent, or Firm* — Dinsmore & Shohl, LLP

(**) Term: **15 Years**

(21) Appl. No.: **29/576,024**

(22) Filed: **Aug. 31, 2016**

(51) **LOC (11) Cl.** **12-07**

(52) **U.S. Cl.**
USPC **D12/16.1**

(58) **Field of Classification Search**
 USPC D12/16.1, 319, 325, 326, 327, 328,
 D12/329–345; D21/436, 441, 442, 443,
 D21/444, 445–453
 CPC B64C 39/024; B64C 2201/141; B64C
 2201/00; B64C 2201/108
 See application file for complete search history.

(56) **References Cited**

U.S. PATENT DOCUMENTS

- D628,658 S * 12/2010 Wurm D21/442
- D691,514 S * 10/2013 Wang D12/16.1
- D710,452 S * 8/2014 Barajas D12/16.1
- 9,061,763 B1 * 6/2015 Christensen A63H 17/28
- D763,134 S * 8/2016 Wang D12/16.1
- D768,539 S * 10/2016 Lee D12/16.1
- D772,991 S * 11/2016 Caubel D12/16.1
- D782,365 S * 3/2017 Hung D12/16.1
- D782,366 S * 3/2017 Xiao D12/16.1
- D784,854 S * 4/2017 Huang D12/16.1
- D785,541 S * 5/2017 Du D12/328
- D795,743 S * 8/2017 Li D12/16.1

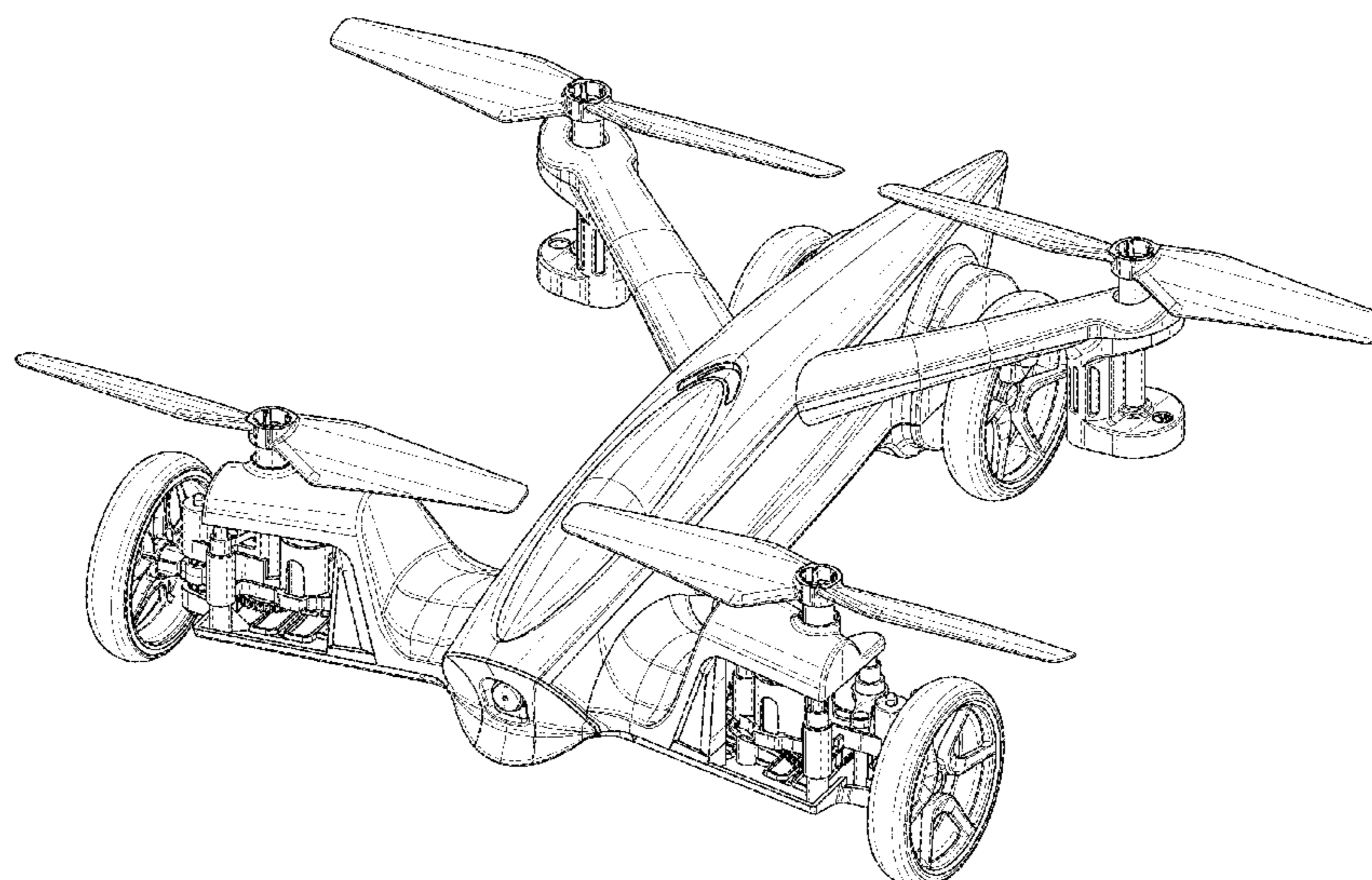
(57) **CLAIM**

The ornamental design for an unmanned aerial vehicle, as shown and described.

DESCRIPTION

FIG. 1 is an upper front perspective view of an unmanned aerial vehicle according to of the present design;
 FIG. 2 is a lower front perspective view of the unmanned aerial vehicle of FIG. 1;
 FIG. 3 is an upper rear perspective view of the unmanned aerial vehicle of FIG. 1;
 FIG. 4 is a lower rear perspective view of the unmanned aerial vehicle of FIG. 1;
 FIG. 5 is a rear elevation view of the unmanned aerial vehicle of FIG. 1;
 FIG. 6 is a front elevation view of the unmanned aerial vehicle of FIG. 1;
 FIG. 7 is a right elevation view of the unmanned aerial vehicle of FIG. 1;
 FIG. 8 is a left elevation view of the unmanned aerial vehicle of FIG. 1;
 FIG. 9 is a top view of the unmanned aerial vehicle of FIG. 1; and,
 FIG. 10 is a bottom view of the unmanned aerial vehicle of FIG. 1.

1 Claim, 10 Drawing Sheets



(56)

References Cited

U.S. PATENT DOCUMENTS

D803,098 S * 11/2017 Lee D12/16.1
D803,328 S * 11/2017 Lee D21/441
D806,606 S * 1/2018 Morrison D12/16.1
2015/0051755 A1* 2/2015 Erhart A63H 27/12
701/2
2015/0129711 A1* 5/2015 Caubel B64C 27/08
244/17.23
2015/0336670 A1* 11/2015 Zhang B64C 1/00
244/119
2016/0337562 A1* 11/2016 Kang H04N 5/2254
2016/0362173 A1* 12/2016 Marion B64C 39/024
2017/0001721 A1* 1/2017 Saika B64C 27/48
2017/0029106 A1* 2/2017 Chang B64C 25/56
2017/0134963 A1* 5/2017 Priest H04W 16/18
2017/0137127 A1* 5/2017 Cheng B64C 39/024
2017/0158328 A1* 6/2017 Foley B64C 27/08
2017/0166308 A1* 6/2017 Desrochers B64D 1/08
2017/0190260 A1* 7/2017 Wang B60L 11/1822
2017/0197718 A1* 7/2017 Buchmueller B64D 1/22
2017/0215086 A1* 7/2017 Priest H04W 16/18
2017/0221395 A1* 8/2017 Benatar G09F 13/0409
2017/0225792 A1* 8/2017 Wang B64D 17/70
2017/0240277 A1* 8/2017 Molnar B64C 39/022
2017/0247107 A1* 8/2017 Hauer B64C 39/024
2017/0267334 A1* 9/2017 Tsai B64C 25/10
2017/0283050 A1* 10/2017 Baek B64C 27/08
2017/0283090 A1* 10/2017 Miller B64F 1/36
2017/0327223 A1* 11/2017 Sekine B64C 39/024
2017/0334570 A1* 11/2017 Xiao H02P 5/74
2017/0340176 A1* 11/2017 Liao A47L 1/02
2017/0358212 A1* 12/2017 Godwin G08G 5/006

* cited by examiner

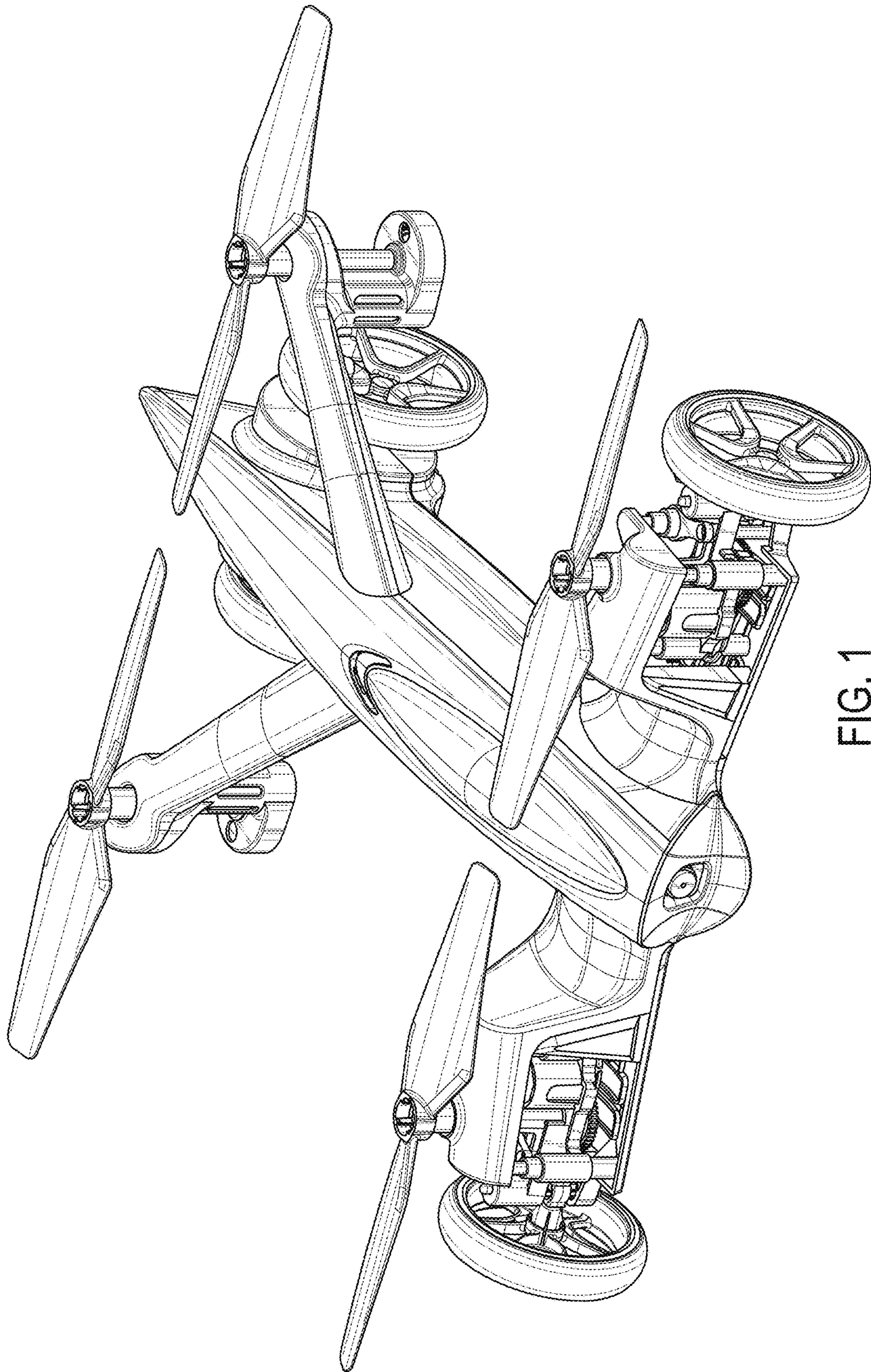


FIG. 1

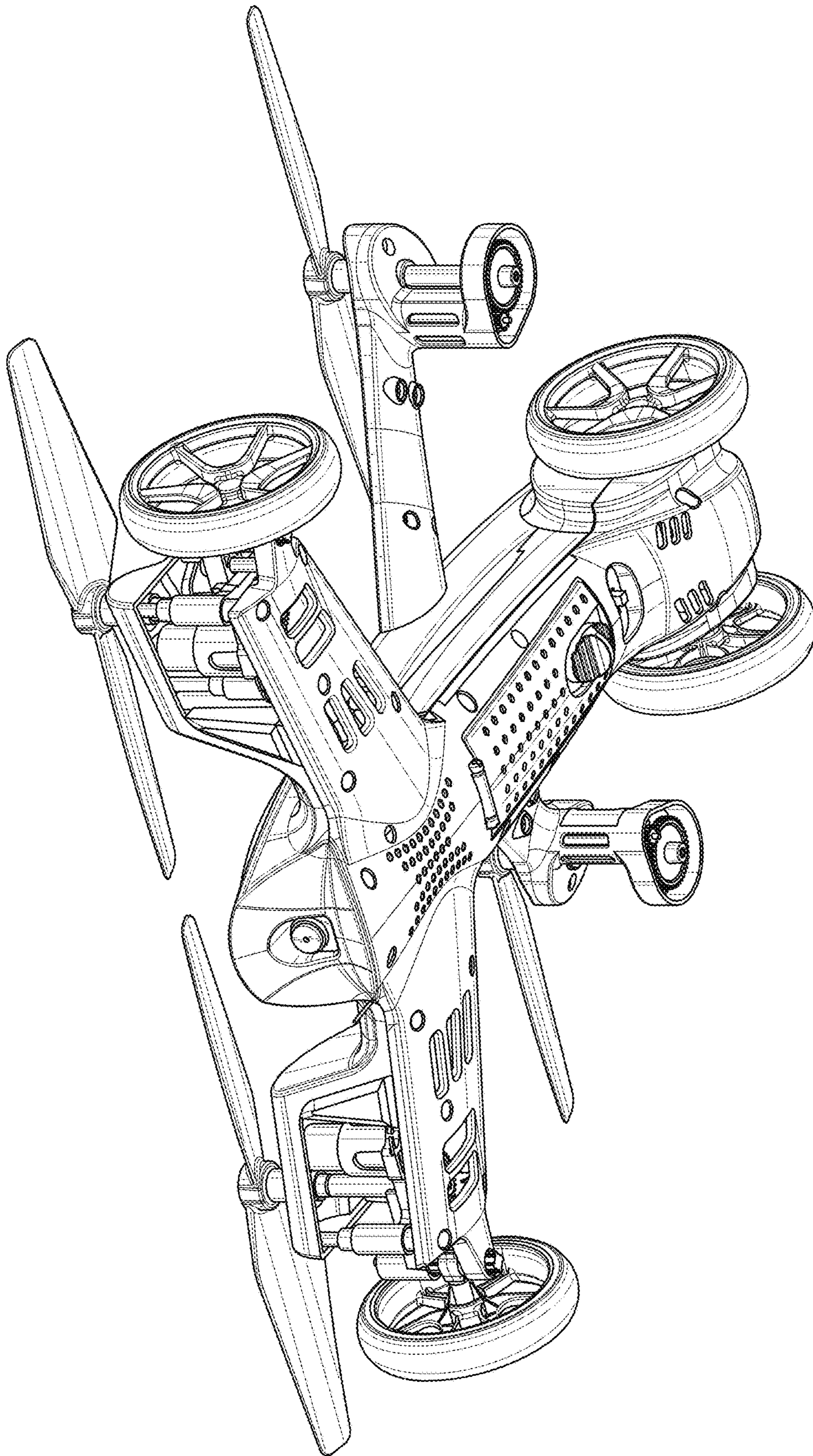


FIG. 2

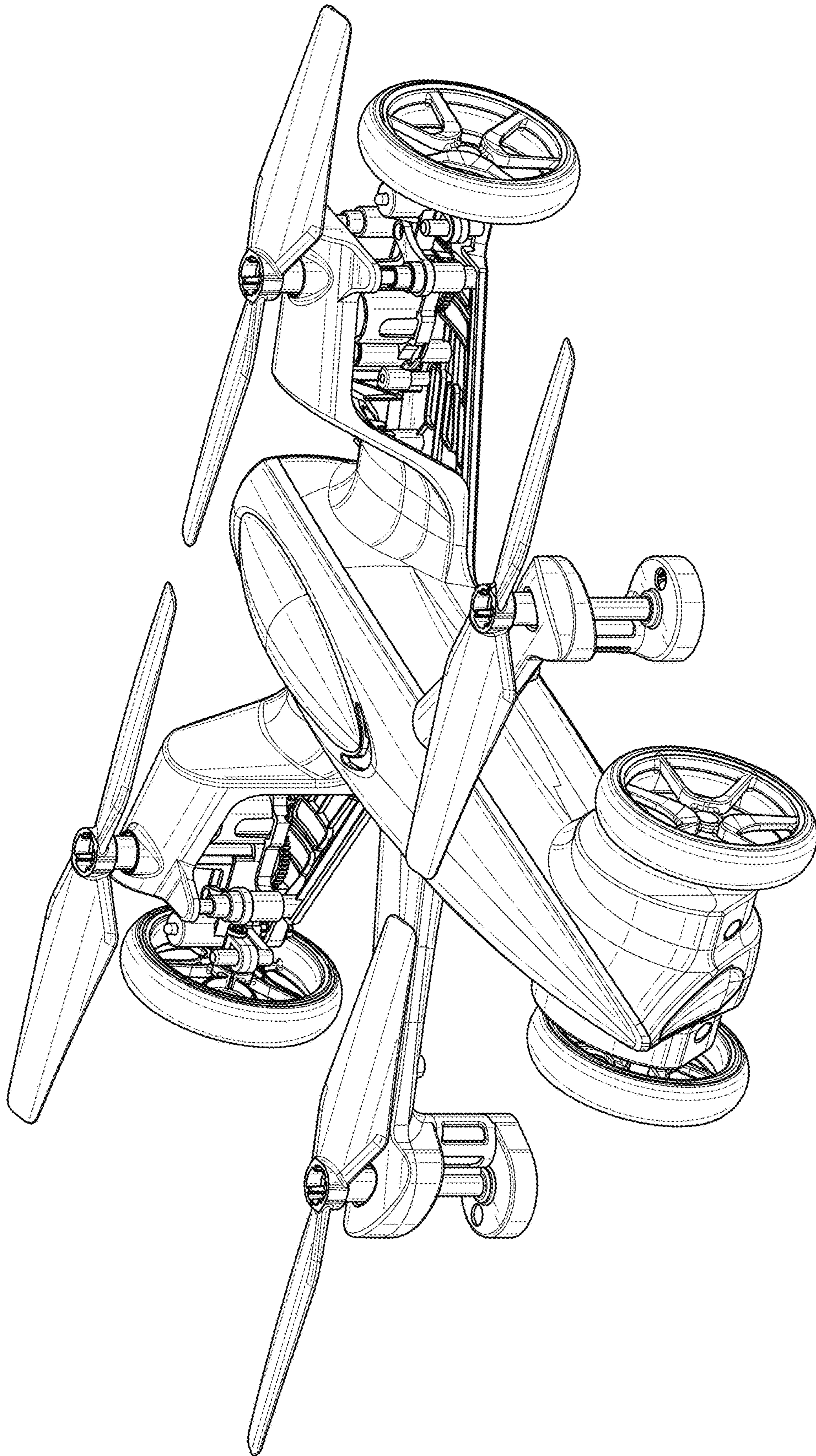


FIG. 3

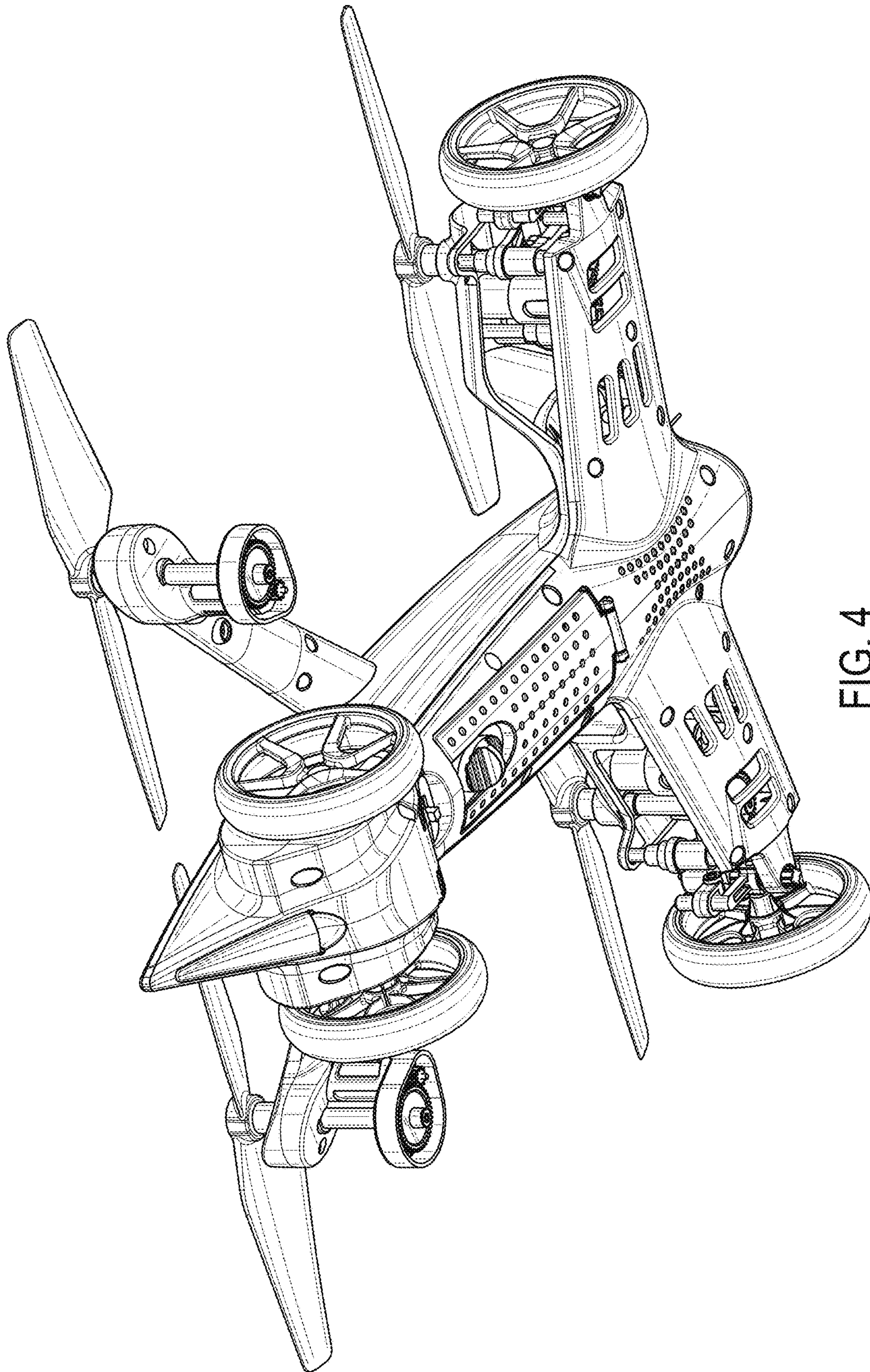


FIG. 4

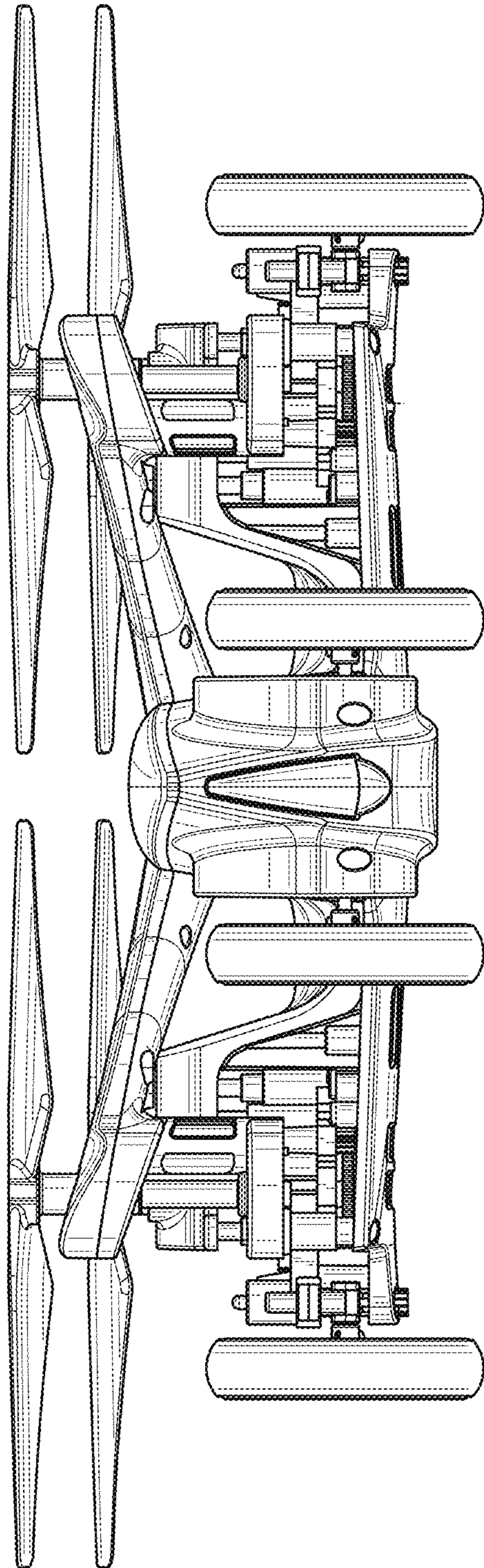


FIG. 5

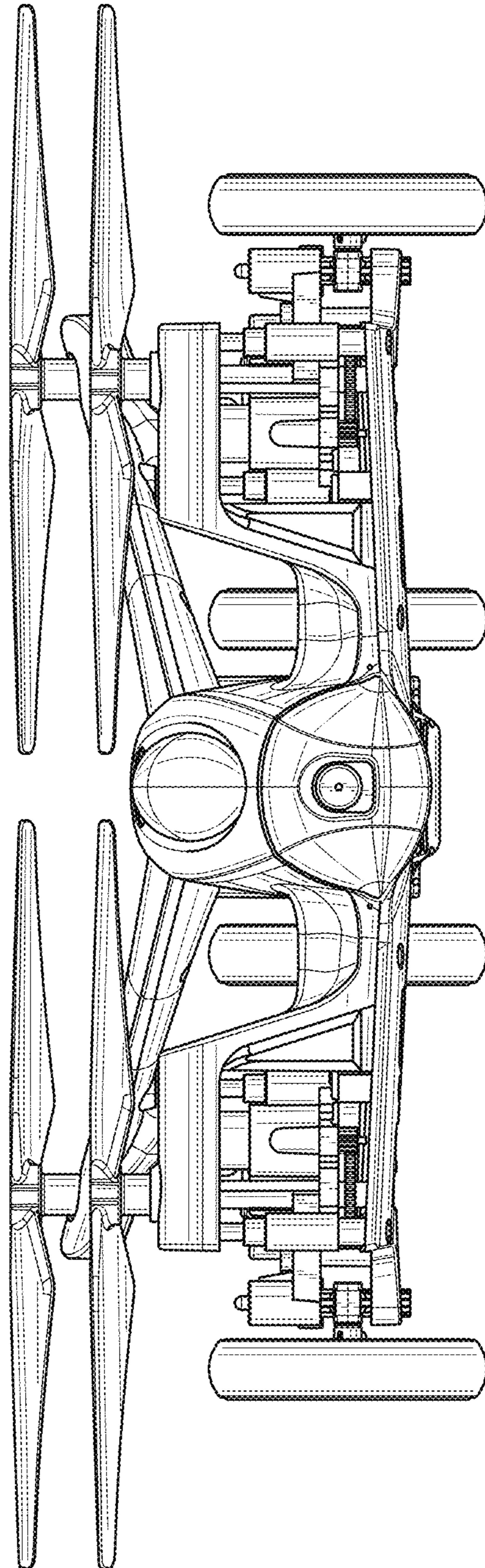


FIG. 6

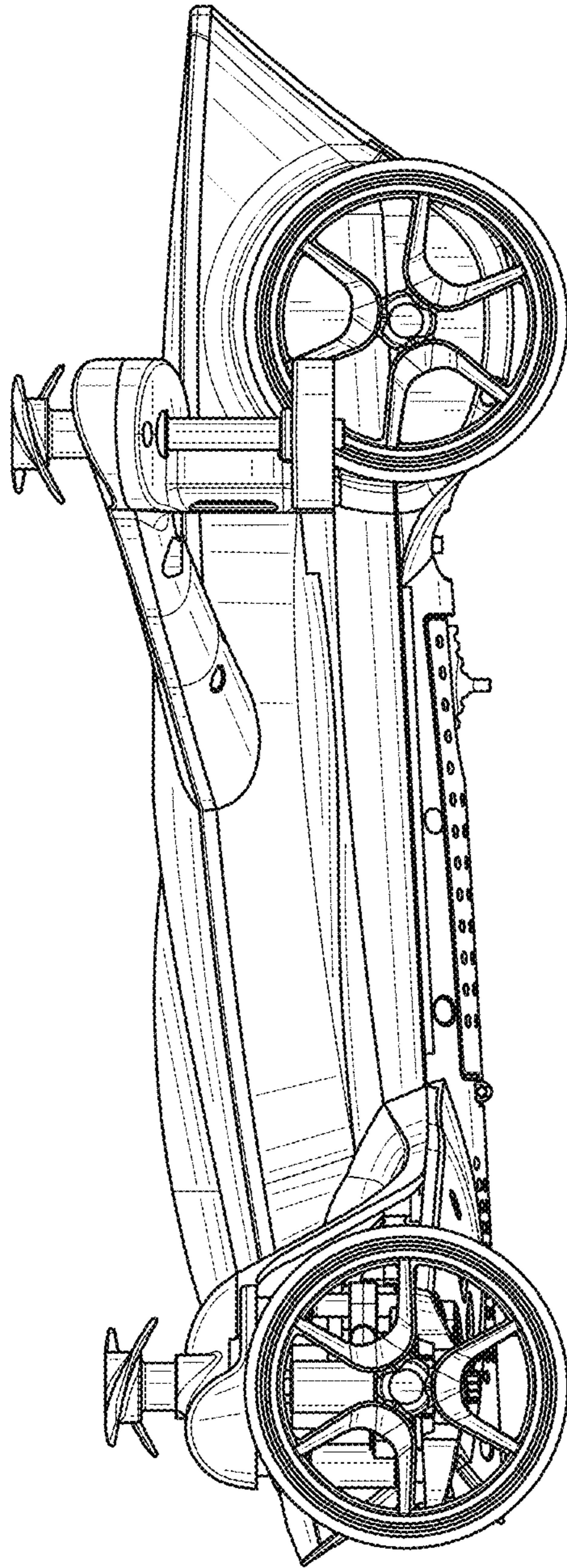


FIG. 7

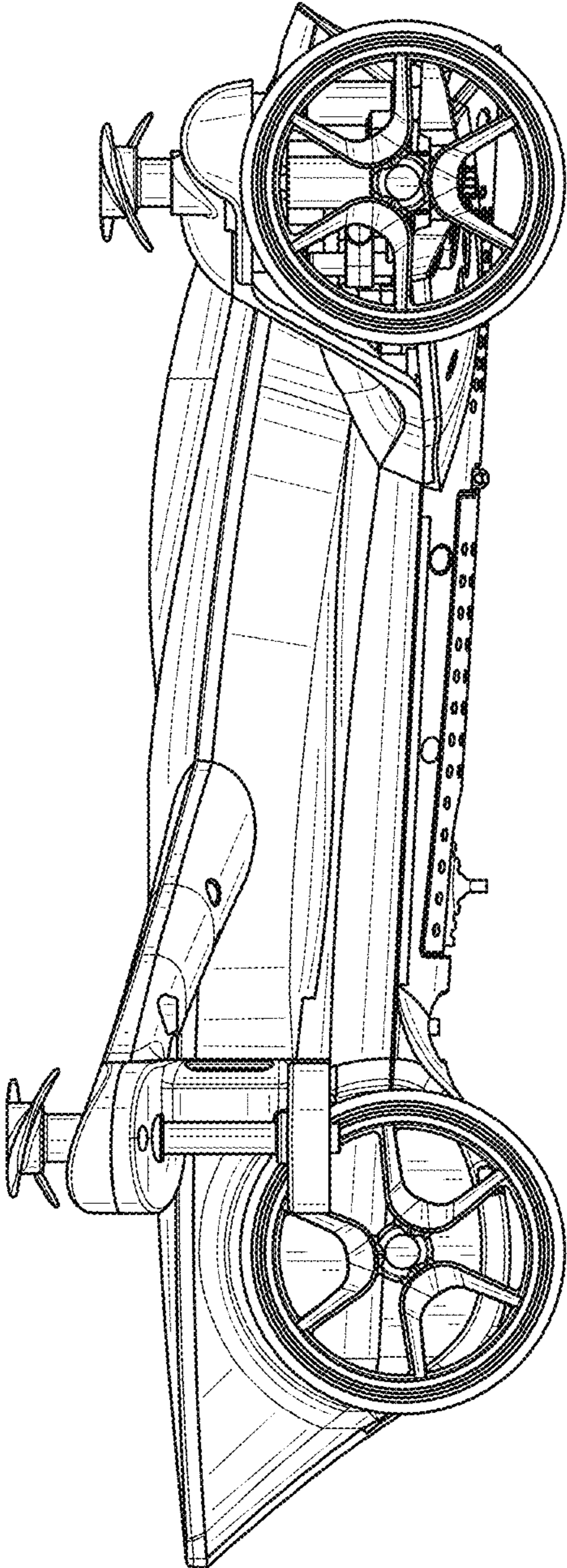


FIG. 8

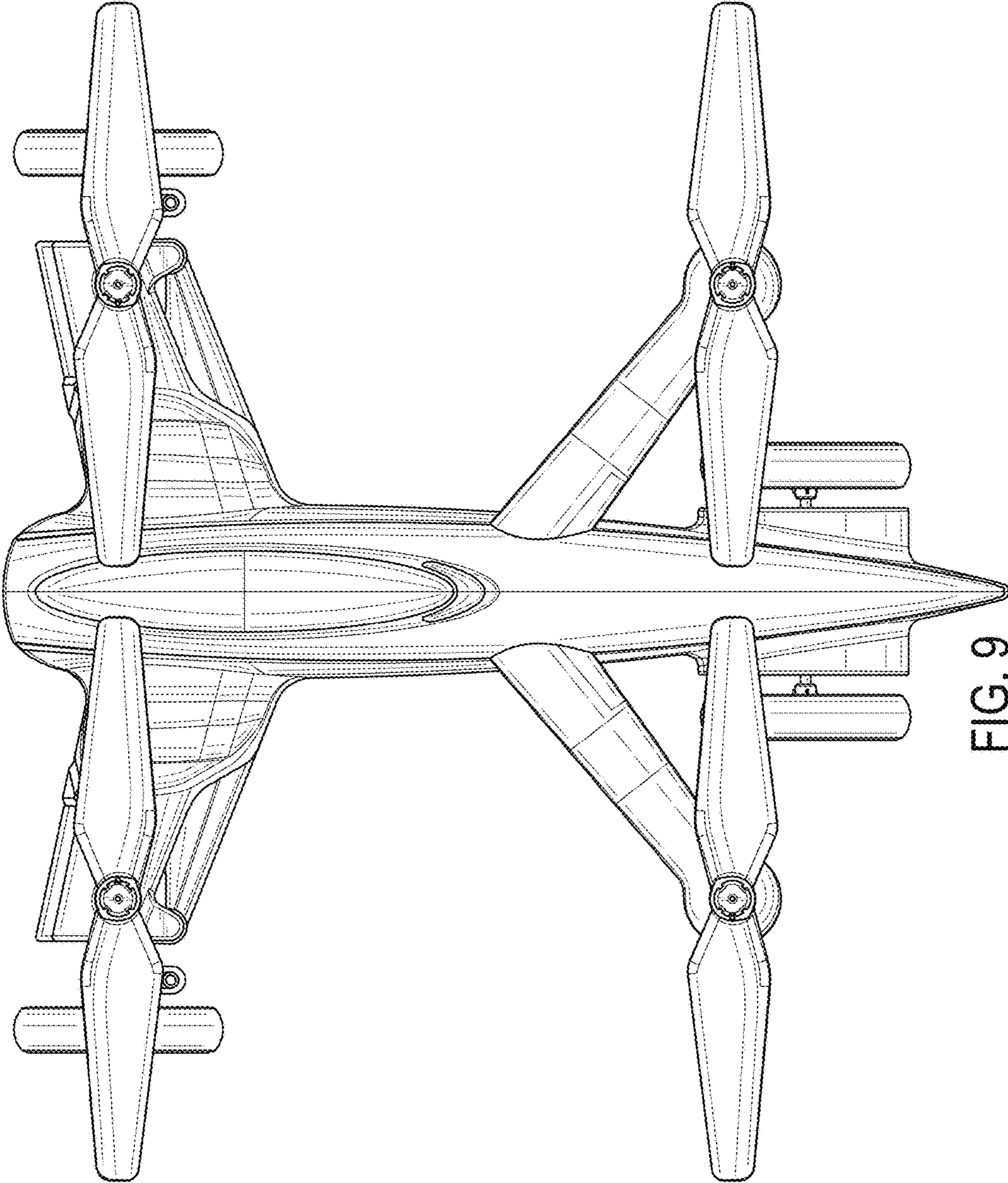


FIG. 9

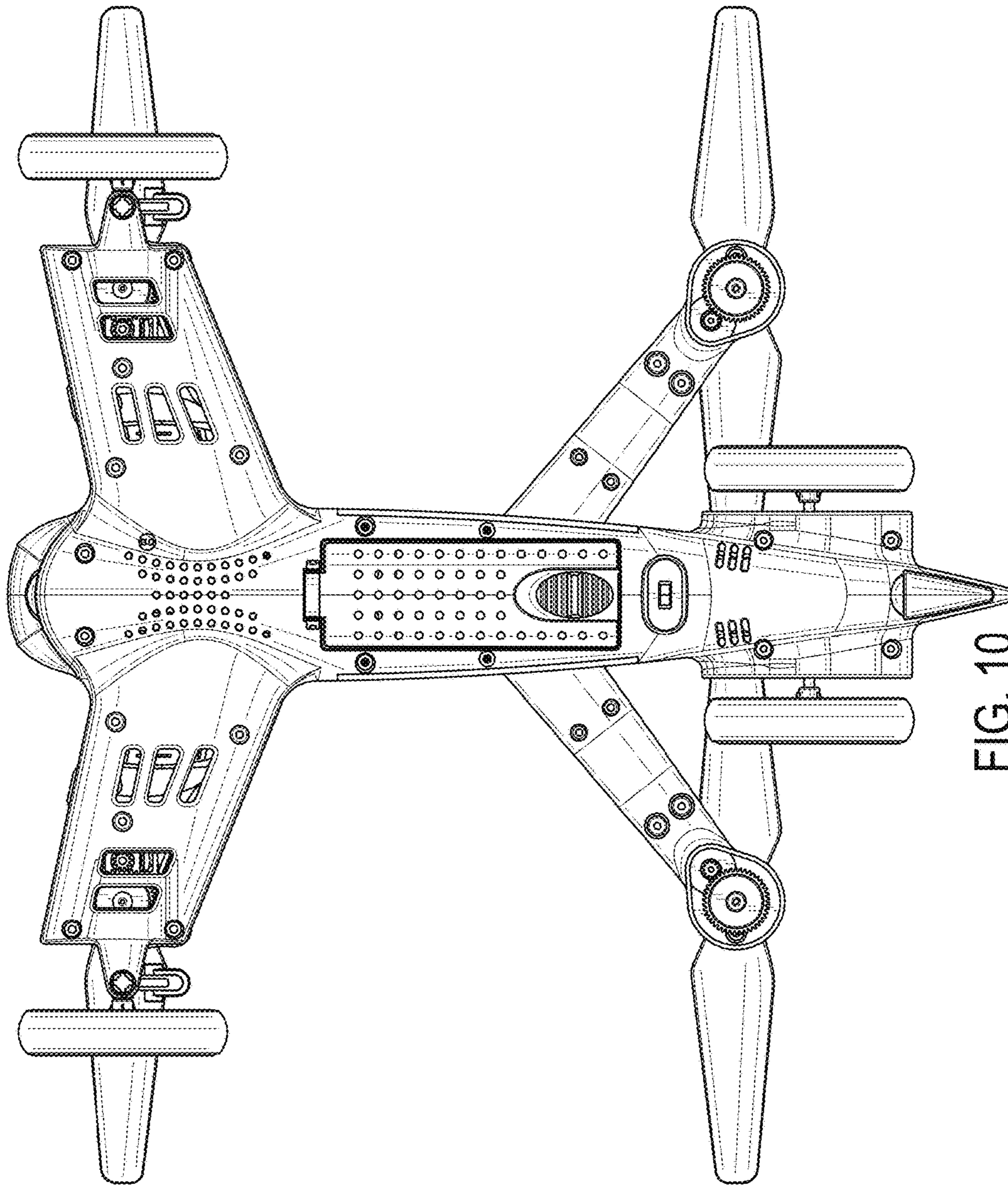


FIG. 10