



US00D821262S

(12) **United States Design Patent**
Strong et al.

(10) **Patent No.:** **US D821,262 S**
(45) **Date of Patent:** **** Jun. 26, 2018**

- (54) **DUMP TRUCK BODY**
- (71) Applicants: **Brooks Strong**, Houston, TX (US);
Joshua Cayne Fisher, Montgomery,
TX (US)
- (72) Inventors: **Brooks Strong**, Houston, TX (US);
Joshua Cayne Fisher, Montgomery,
TX (US)
- (**) Term: **15 Years**
- (21) Appl. No.: **29/585,371**
- (22) Filed: **Nov. 23, 2016**
- (51) **LOC (11) Cl.** **08-10**
- (52) **U.S. Cl.**
USPC **D12/15; D15/33**
- (58) **Field of Classification Search**
USPC D15/10, 25, 30, 33; D12/14, 15, 98, 93
CPC B60G 2200/10; B60P 1/16; B60P 1/283;
B60P 1/286; B60P 1/28; B60P 1/00;
B60P 1/04; B60Y 2200/142; B62D 33/02;
B62D 33/00
See application file for complete search history.

- 2011/0233986 A1* 9/2011 Obermeyer B60P 1/28
298/22 R
- 2016/0137404 A1* 5/2016 Steiner B60P 1/28
220/1.5
- 2017/0246974 A1* 8/2017 Lemaire B60P 1/16
- 2017/0305322 A1* 10/2017 Hofer B60P 1/16

* cited by examiner

Primary Examiner — T. Chase Nelson
Assistant Examiner — Ania Aman
(74) *Attorney, Agent, or Firm* — Ronald L. Phillips

(57) **CLAIM**

The ornamental design for a dump truck body, as shown and described.

DESCRIPTION

FIG. 1 is a left-side elevation view of our ornamental design for a dump truck body with the right-side elevation view being a mirror image thereof and wherein a tail gate of some form for the dump truck body is not shown as it forms no part of our ornamental dump truck body design.

FIG. 2 is a top view of the dump truck body.

FIG. 3 is a front elevation view of the dump truck body.

FIG. 4 is a rear elevation view of the dump truck body.

FIG. 5 is a bottom view of the dump truck body.

FIG. 6 is a rear overhead isometric view of the dump truck body.

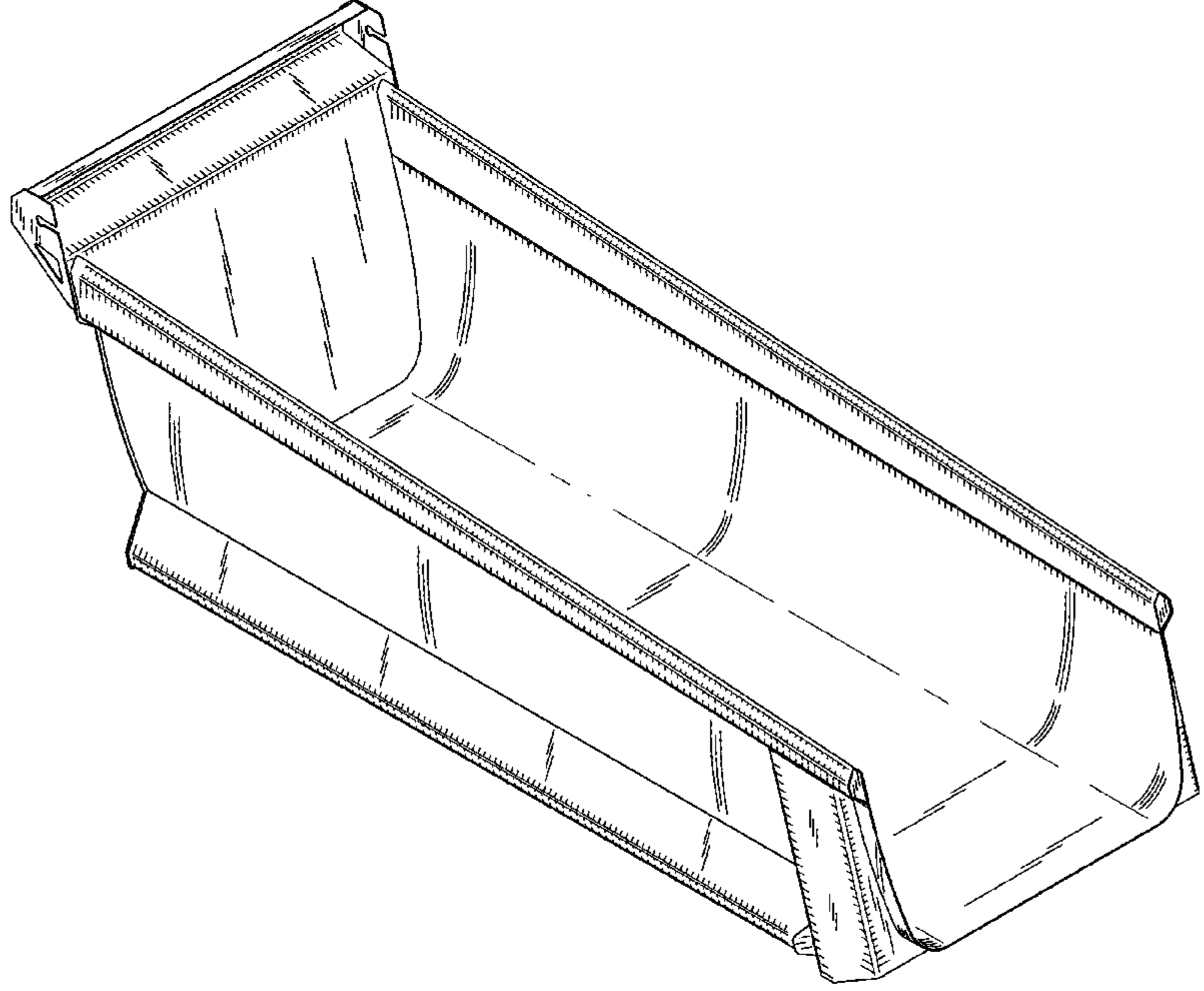
FIG. 7 is a front overhead isometric view of the dump truck body.

FIG. 8 is a front underside isometric view of the dump truck body; and,

FIG. 9 is a rear underside isometric view of the dump truck body.

- (56) **References Cited**
U.S. PATENT DOCUMENTS
- 6,637,808 B1* 10/2003 Ling B60P 1/26
296/183.2
- D678,123 S * 3/2013 Werner D12/15
- D721,988 S * 2/2015 Graber D12/15
- D805,430 S * 12/2017 Strong D12/15
- 2002/0122694 A1* 9/2002 Obermeyer B60P 1/283
404/101
- 2006/0202509 A1* 9/2006 Westner B60P 1/286
296/183.2

1 Claim, 6 Drawing Sheets



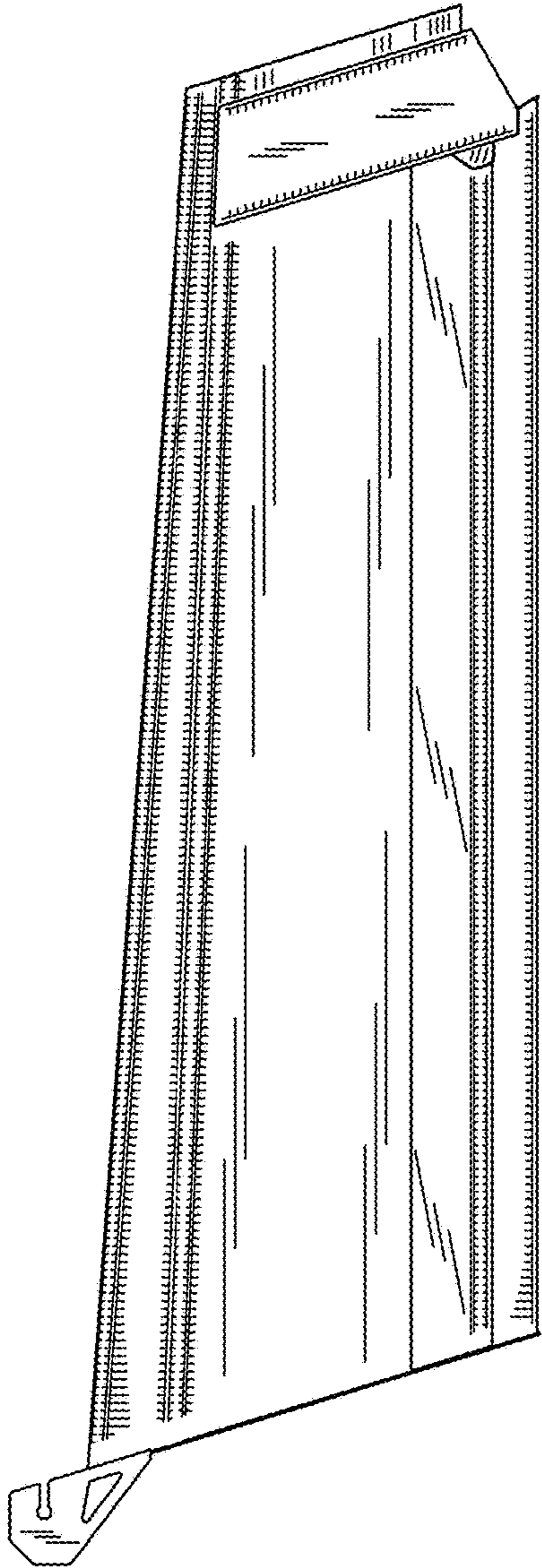


Fig. 1

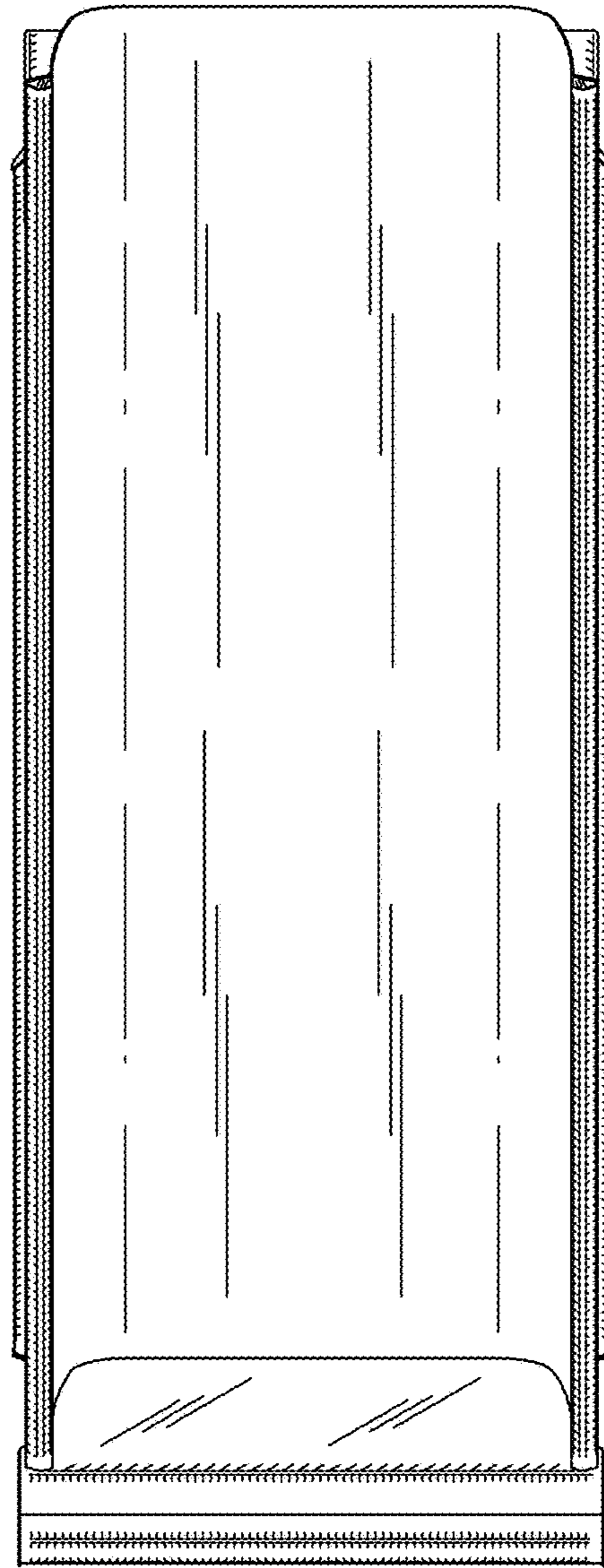


Fig. 2

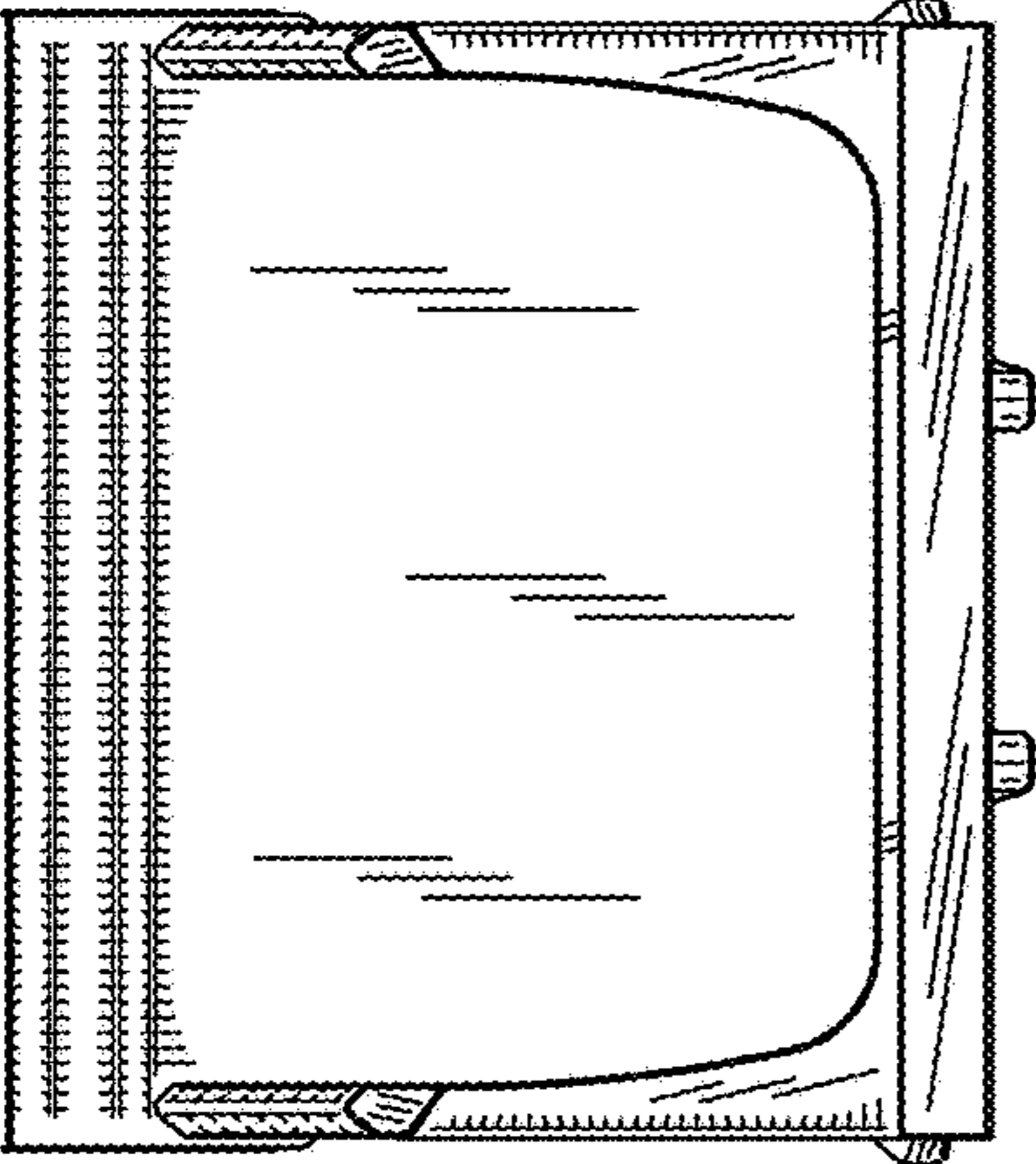


Fig. 3

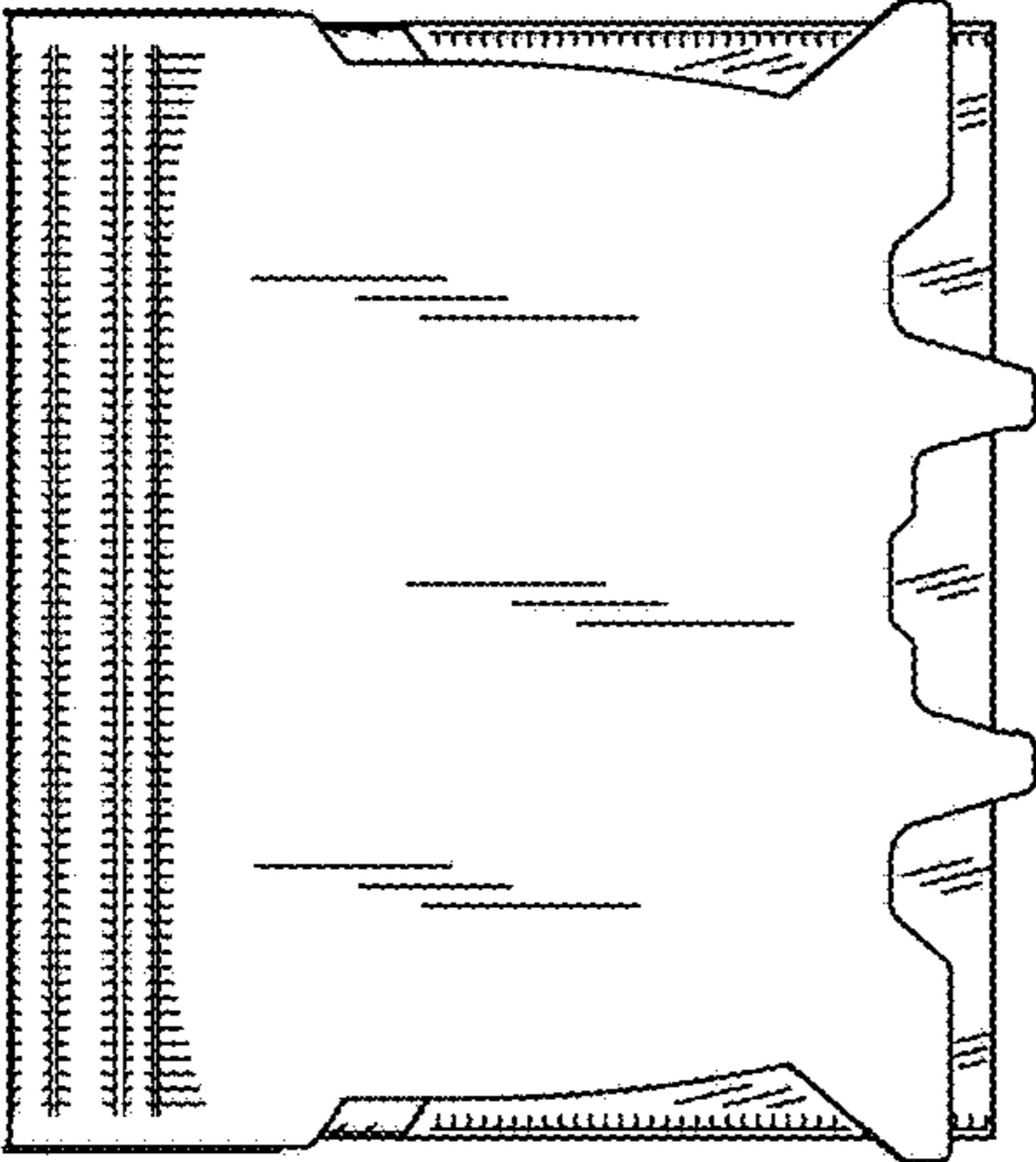


Fig. 4

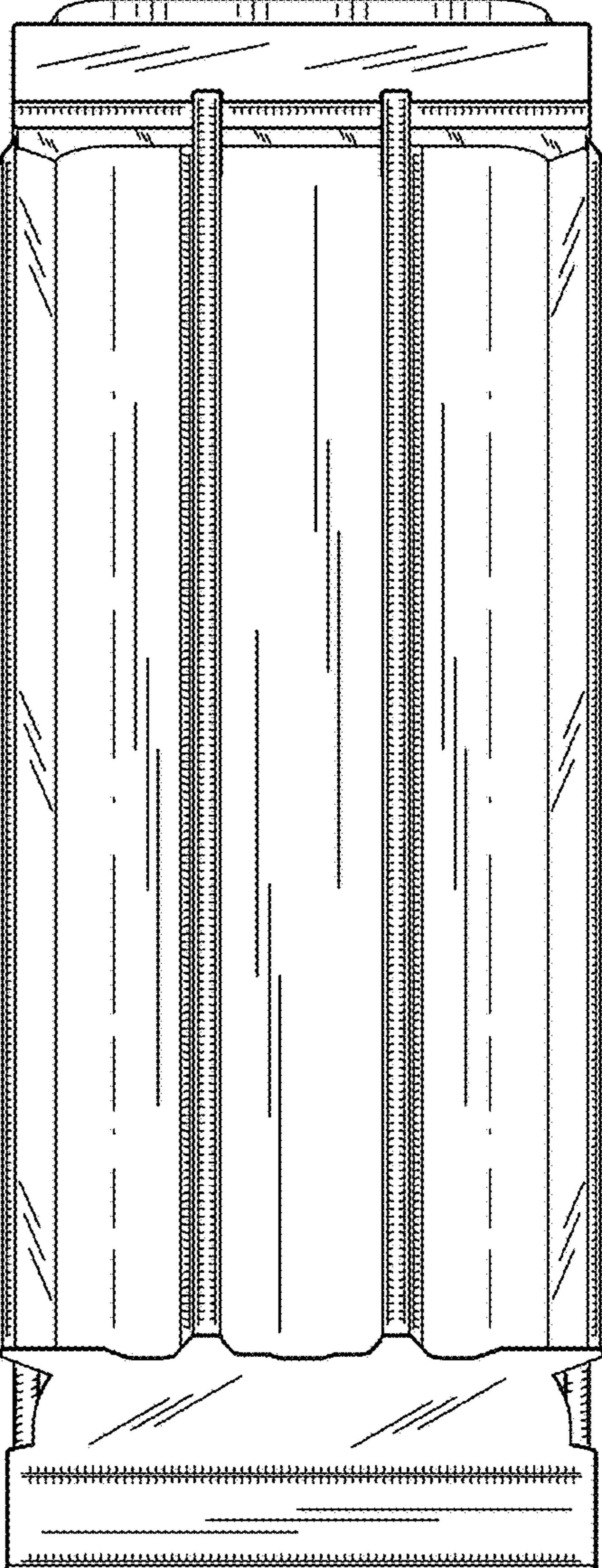


Fig. 5

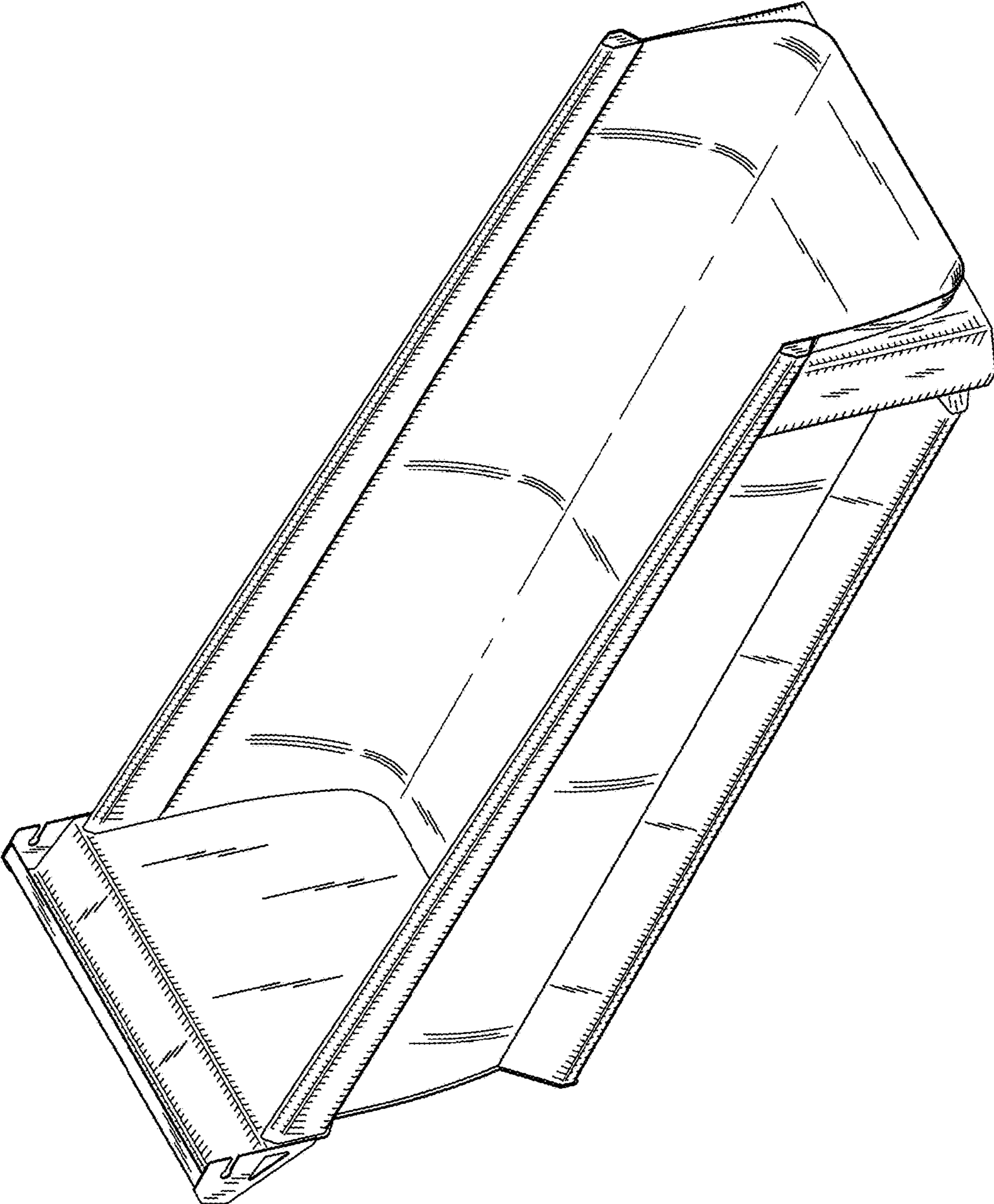


Fig. 6

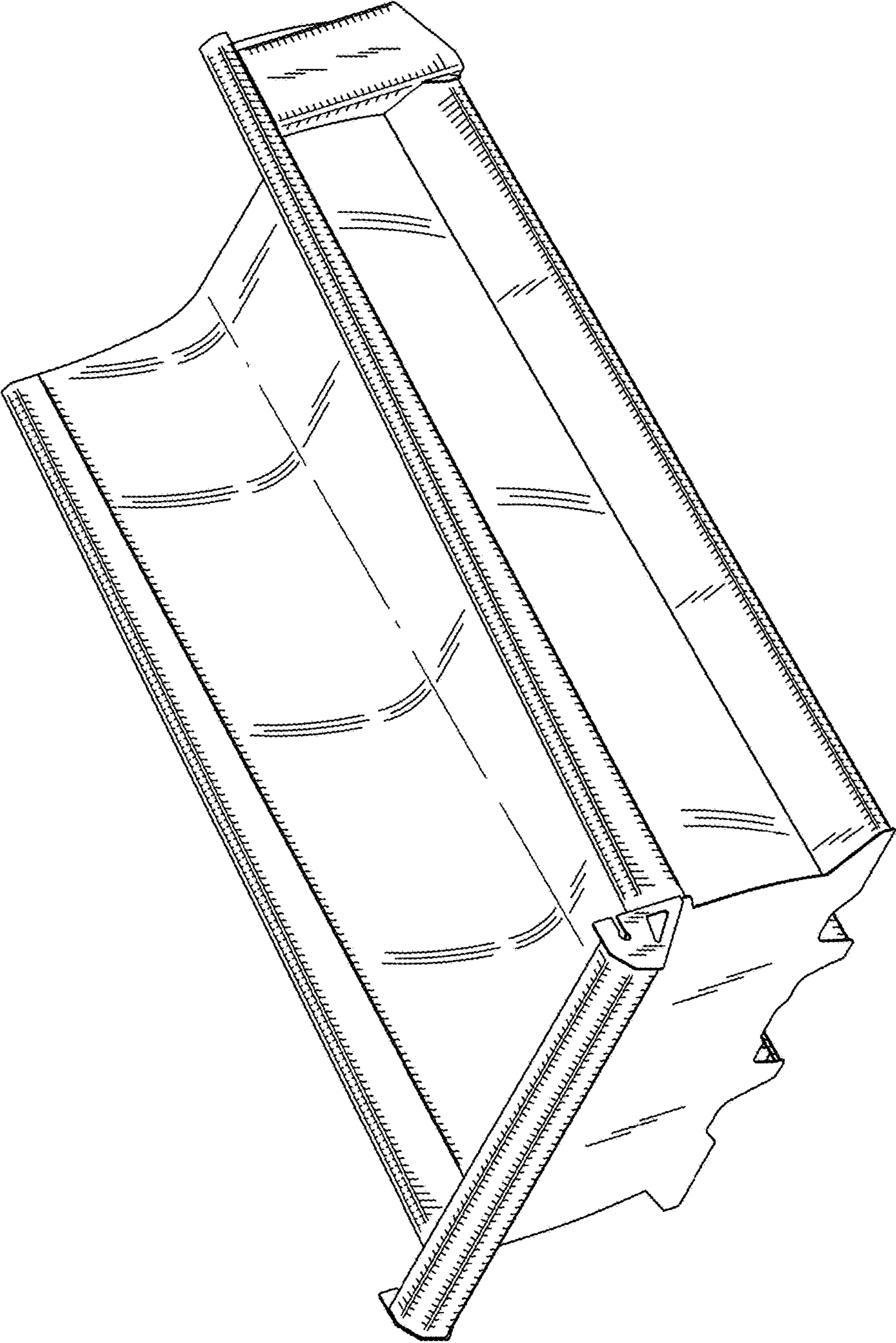


Fig. 7

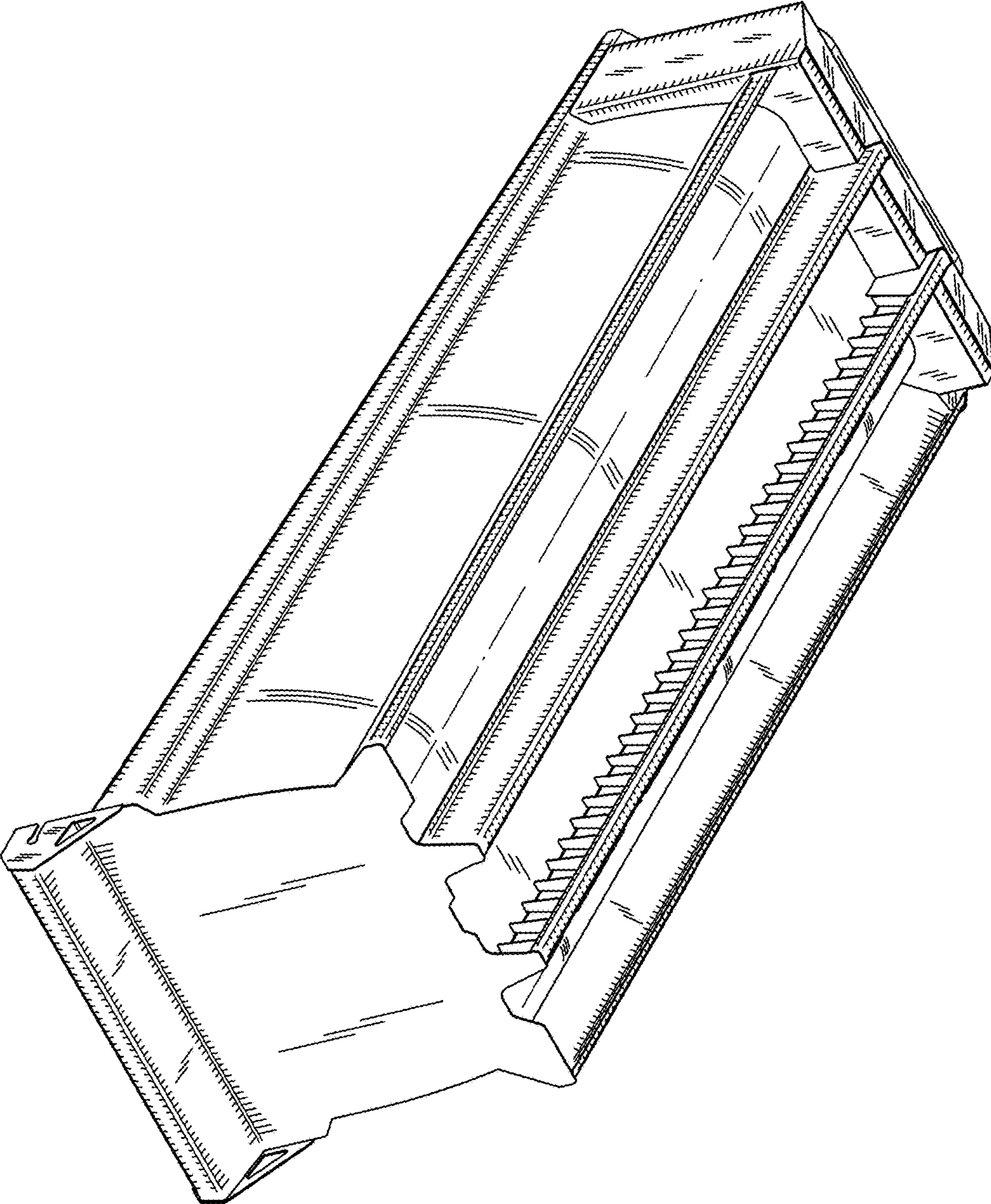


Fig. 8

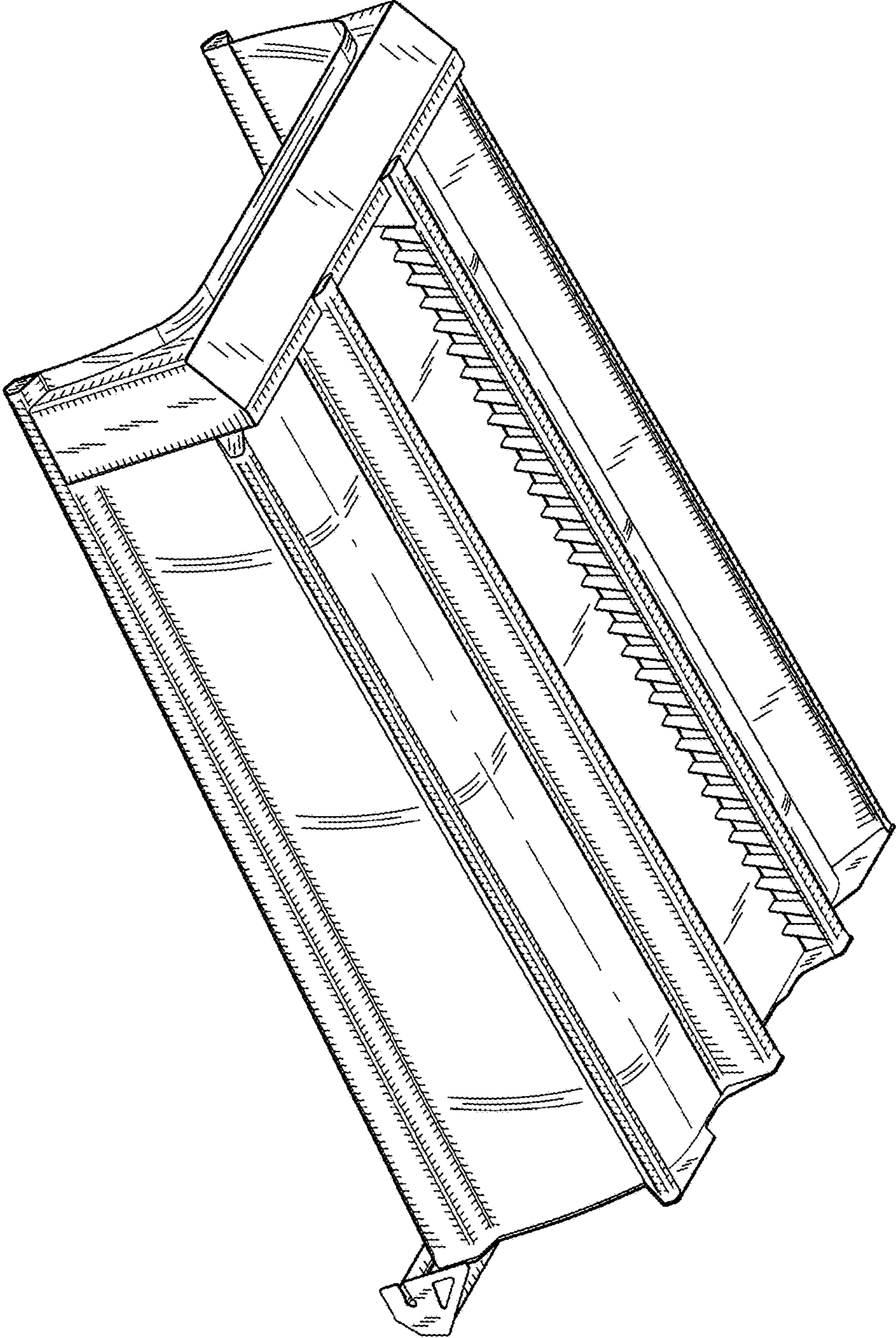


Fig. 9