



US00D821261S

(12) **United States Design Patent**  
**Alvarez**

(10) **Patent No.:** **US D821,261 S**  
(45) **Date of Patent:** **\*\* Jun. 26, 2018**

- (54) **ZIPPER ASSIST DEVICE**
- (71) Applicant: **Aisha A. Alvarez**, Covington, GA (US)
- (72) Inventor: **Aisha A. Alvarez**, Covington, GA (US)
- (\*\*) Term: **15 Years**
- (21) Appl. No.: **29/595,462**
- (22) Filed: **Feb. 28, 2017**
- (51) **LOC (11) Cl.** ..... **02-07**
- (52) **U.S. Cl.**  
USPC ..... **D11/221**
- (58) **Field of Classification Search**  
USPC ..... D11/200, 201, 221; 24/381–383,  
24/385–387, 414–417, 421–422, 427–431,  
24/433; 2/265; D2/641, 642; 294/3.6;  
223/118; D8/33, 34, 40  
CPC ..... A44B 19/00; A44B 19/02; A44B 19/04;  
A44B 19/10; A44B 19/26; A44B 19/30;  
A44B 19/06; G02C 3/003  
See application file for complete search history.

(56) **References Cited**

**U.S. PATENT DOCUMENTS**

D100,841 S *	8/1936	Barrett	.....	D11/221
2,908,057 A *	10/1959	Blanco	.....	A47G 25/902
				223/111
3,599,274 A *	8/1971	Donovan	.....	A47G 25/902
				16/442
D227,421 S *	6/1973	Dupon	.....	D11/221
D296,882 S *	7/1988	Lopez	.....	D11/221
D362,830 S *	10/1995	Maggard	.....	D11/221

D420,938 S *	2/2000	Colicher	.....	D11/221
D578,430 S *	10/2008	Ball	.....	D11/221
D602,811 S *	10/2009	Batista	.....	D11/221
D631,788 S *	2/2011	Dawson	.....	D11/221
D651,131 S *	12/2011	Pontaoe	.....	D11/221
D672,283 S *	12/2012	Spruill	.....	D11/1
D692,796 S *	11/2013	Medsker	.....	D11/221
D696,155 S *	12/2013	Coratola	.....	D11/221
D710,749 S *	8/2014	Taitt	.....	D11/221
D727,206 S *	4/2015	Chapple	.....	D11/221
D735,607 S *	8/2015	Oberwelz	.....	D11/221

\* cited by examiner

*Primary Examiner* — Ralf Seifert

(74) *Attorney, Agent, or Firm* — Grant Attorneys at Law PLLC; Kristin A. Grant

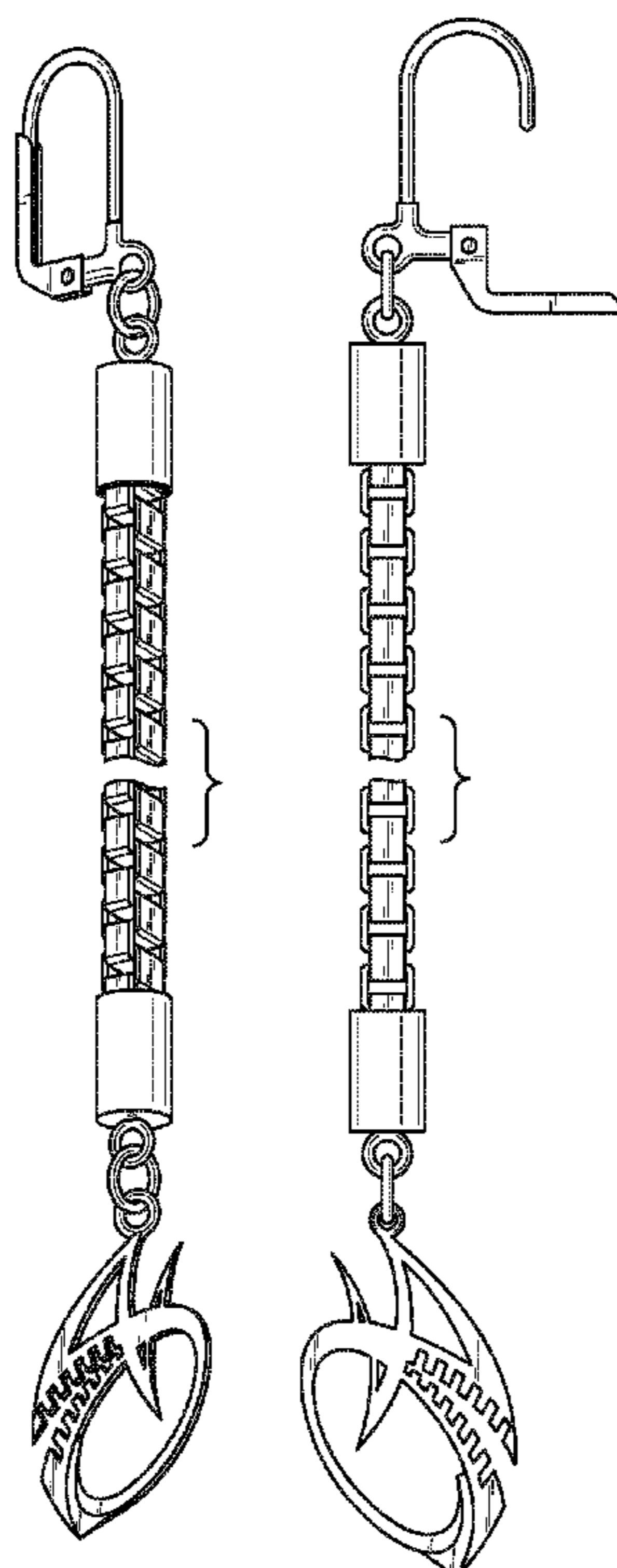
(57) **CLAIM**

The ornamental design for a zipper assist device, as shown and described.

**DESCRIPTION**

FIG. 1 is a perspective view of a zipper assist device showing my new design;  
 FIG. 2 is a front elevational view thereof;  
 FIG. 3 is a rear elevational view thereof;  
 FIG. 4 is a left elevational view thereof;  
 FIG. 5 is a right elevational view thereof;  
 FIG. 6 is a perspective view shown with the attachment fitting in an open position;  
 FIG. 7 is a front elevational view of FIG. 6;  
 FIG. 8 is a rear elevational view of FIG. 6;  
 FIG. 9 is a left elevational view of FIG. 6; and,  
 FIG. 10 is a right elevational view of FIG. 6.

**1 Claim, 6 Drawing Sheets**



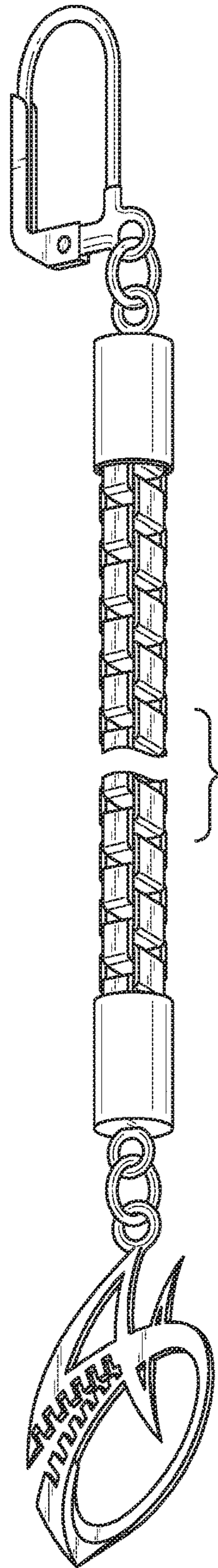


FIG. 1

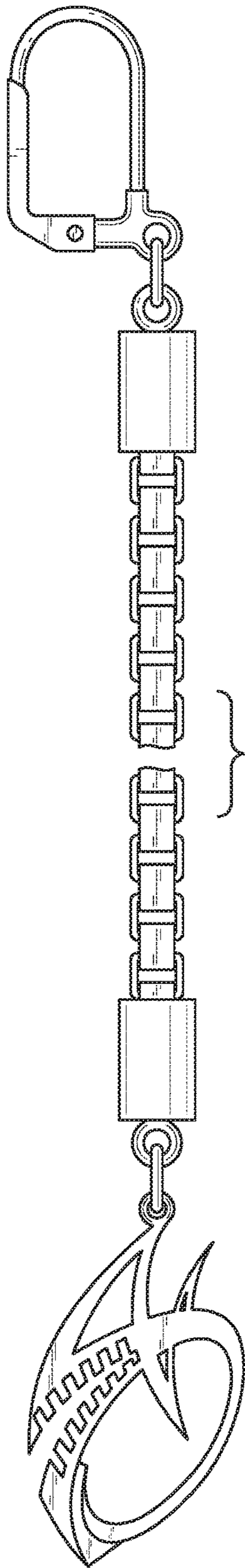


FIG. 2

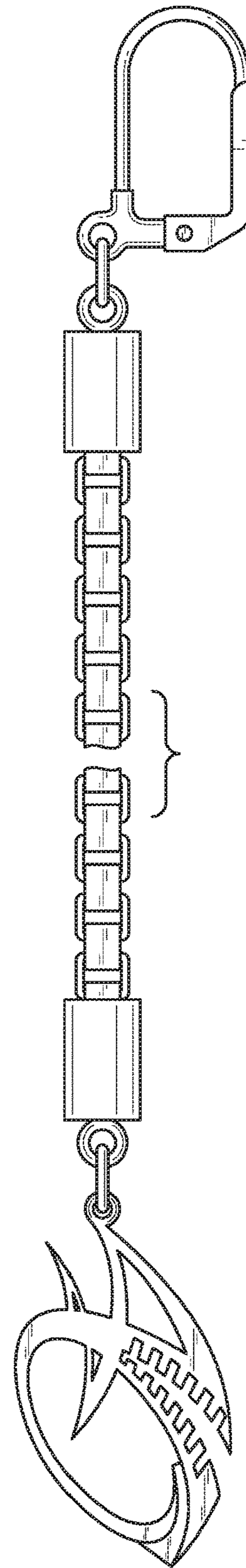


FIG. 3

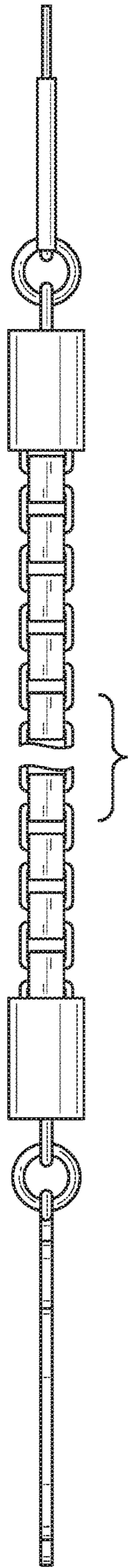


FIG. 4

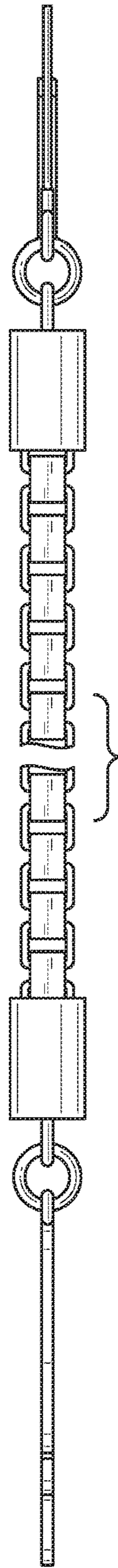


FIG. 5

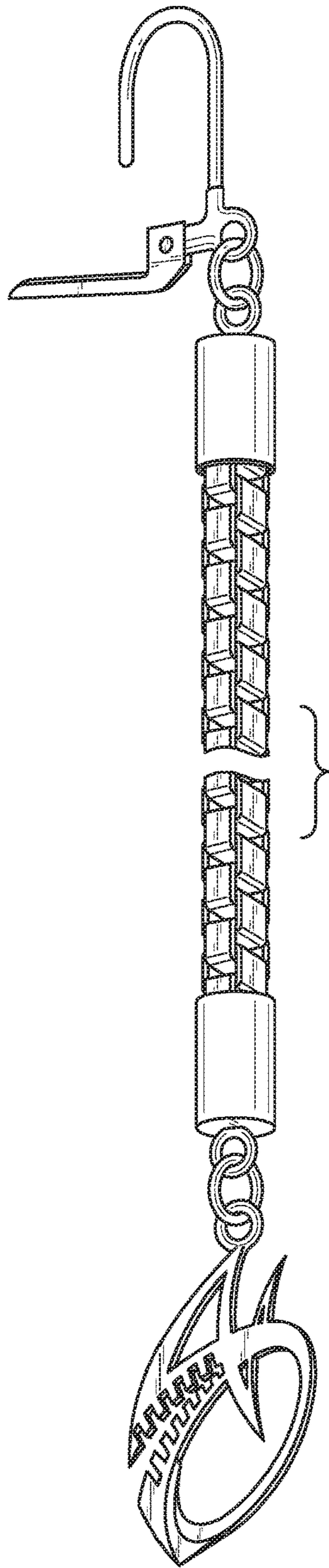


FIG. 6

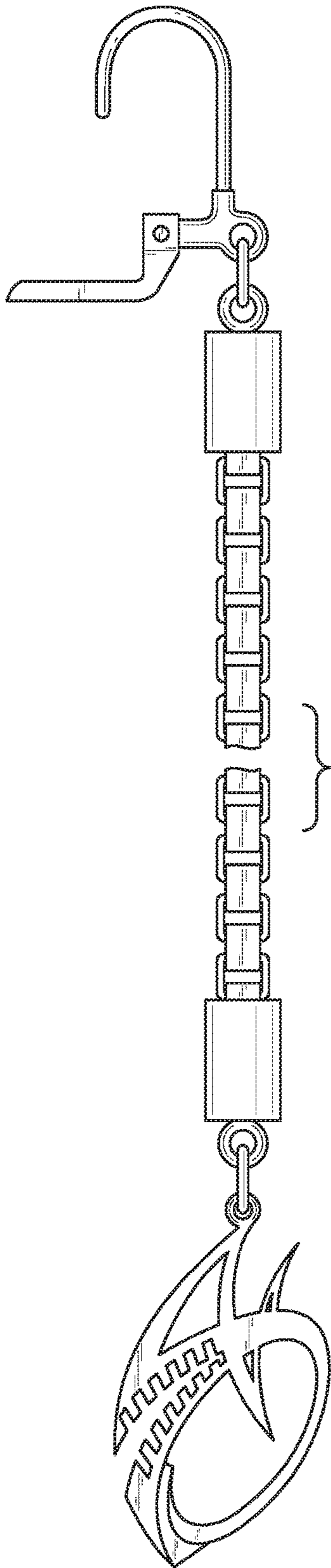


FIG. 7

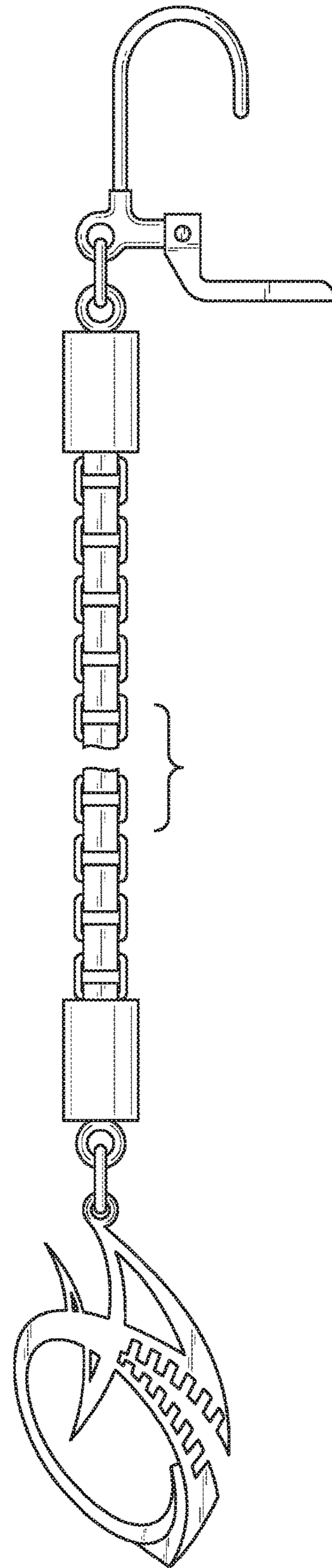


FIG. 8

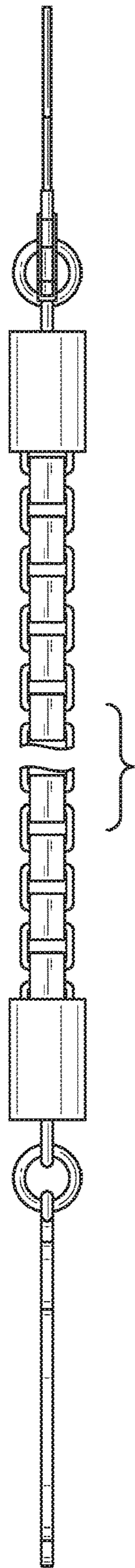


FIG. 9

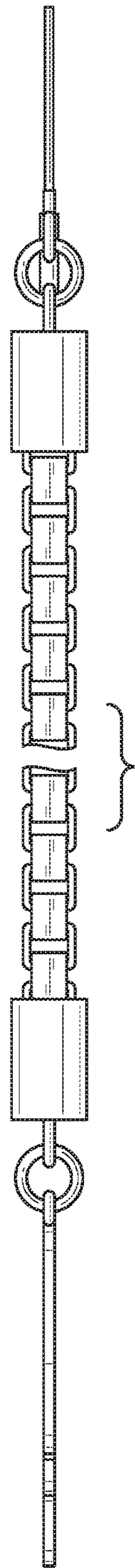


FIG. 10