



(12) **United States Design Patent**
Gates

(10) **Patent No.:** **US D821,260 S**
(45) **Date of Patent:** **** Jun. 26, 2018**

- (54) **ZIPPER SLIDER**
- (71) Applicant: **Eric Gates**, Long Beach, CA (US)
- (72) Inventor: **Eric Gates**, Long Beach, CA (US)
- (**) Term: **15 Years**
- (21) Appl. No.: **29/577,691**
- (22) Filed: **Sep. 14, 2016**
- (51) **LOC (11) Cl.** **15-07**
- (52) **U.S. Cl.**
USPC **D11/221**
- (58) **Field of Classification Search**
USPC D11/200–201, 221; 24/381–383,
24/385–387, 414–431, 4, 412; D2/641;
294/3.6
CPC A44B 19/00; A44B 19/02; A44B 19/04;
A44B 19/10; A44B 19/24; A44B 19/26;
A44B 19/30; A44B 19/06
See application file for complete search history.

- 3,872,551 A * 3/1975 Moertel A44B 19/382
24/386
 - 3,952,379 A * 4/1976 Fukuroi A44B 19/306
24/425
 - D265,606 S 8/1982 Kasai
 - D284,330 S 6/1986 Yoshikawa et al.
- (Continued)

FOREIGN PATENT DOCUMENTS

EP 506631 A1 9/1992

OTHER PUBLICATIONS

YKK Zipper Slider #10 Vision White Metal Single NonLocking Pull, Sailrite.com, [online], [site visited Sep. 14, 2017]. <URL: <http://www.sailrite.com/YKK-Slider-Single-Pull-Non-Locking-White-Vislon-Metal-10>>.*

(Continued)

Primary Examiner — T. Chase Nelson
Assistant Examiner — Jonathan J. Han
(74) *Attorney, Agent, or Firm* — Fulwider Patton LLP

(56) **References Cited**

U.S. PATENT DOCUMENTS

- 2,404,977 A * 7/1946 Meitner A44B 19/30
24/420
- 2,540,485 A * 2/1951 Kellum A44B 19/308
24/424
- 2,599,536 A * 6/1952 Backer A44B 19/306
24/421
- 2,683,911 A * 7/1954 Backer A44B 19/306
24/421
- 2,807,853 A * 10/1957 Chery A44B 19/28
24/416
- 2,978,772 A * 4/1961 Brown A44B 19/306
24/425
- 3,099,059 A * 7/1963 Huelster A44B 19/306
24/421
- 3,262,172 A * 7/1966 Scheuerman A44B 19/306
24/421
- 3,793,684 A * 2/1974 Moertel A44B 19/26
24/421

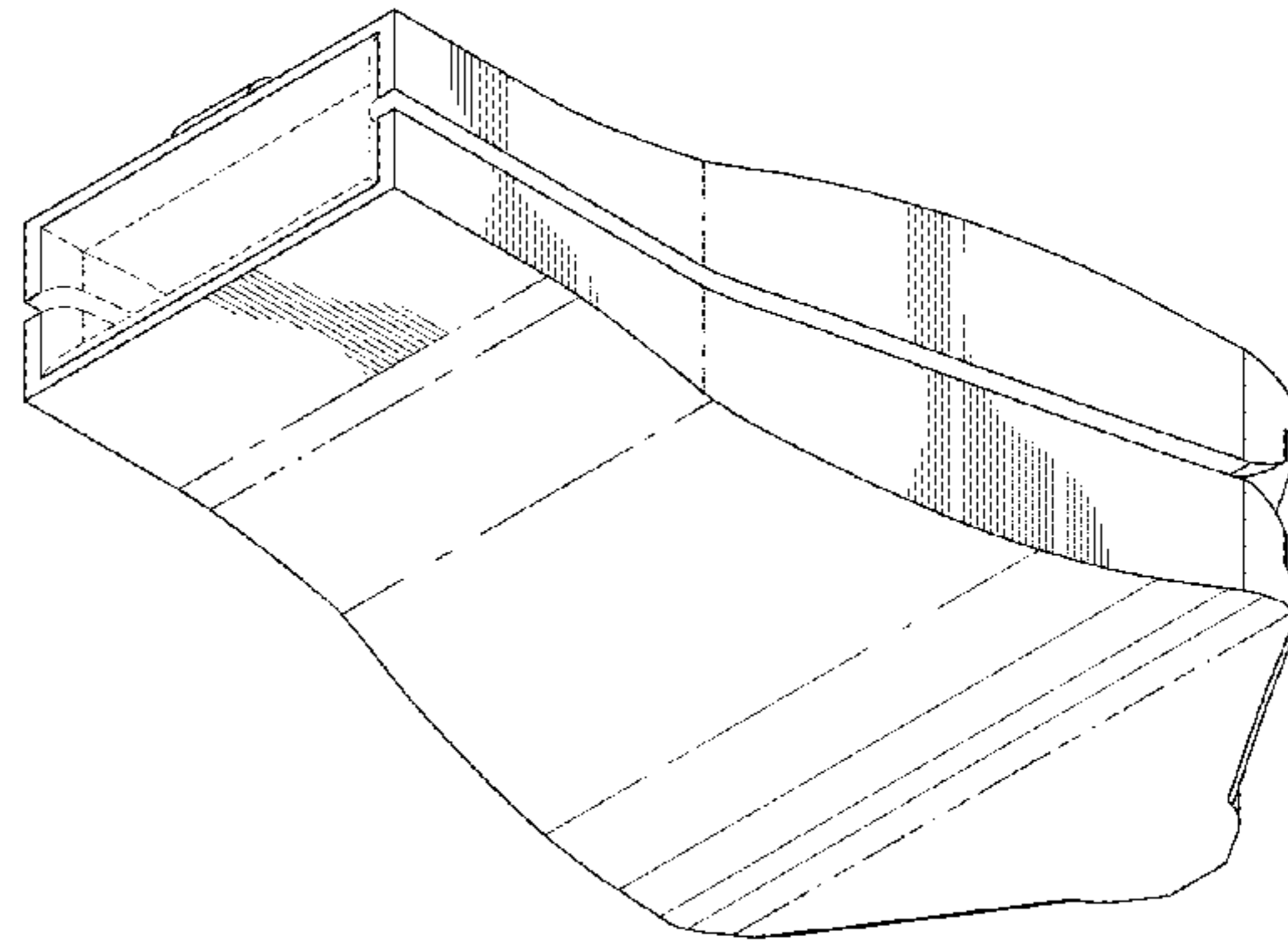
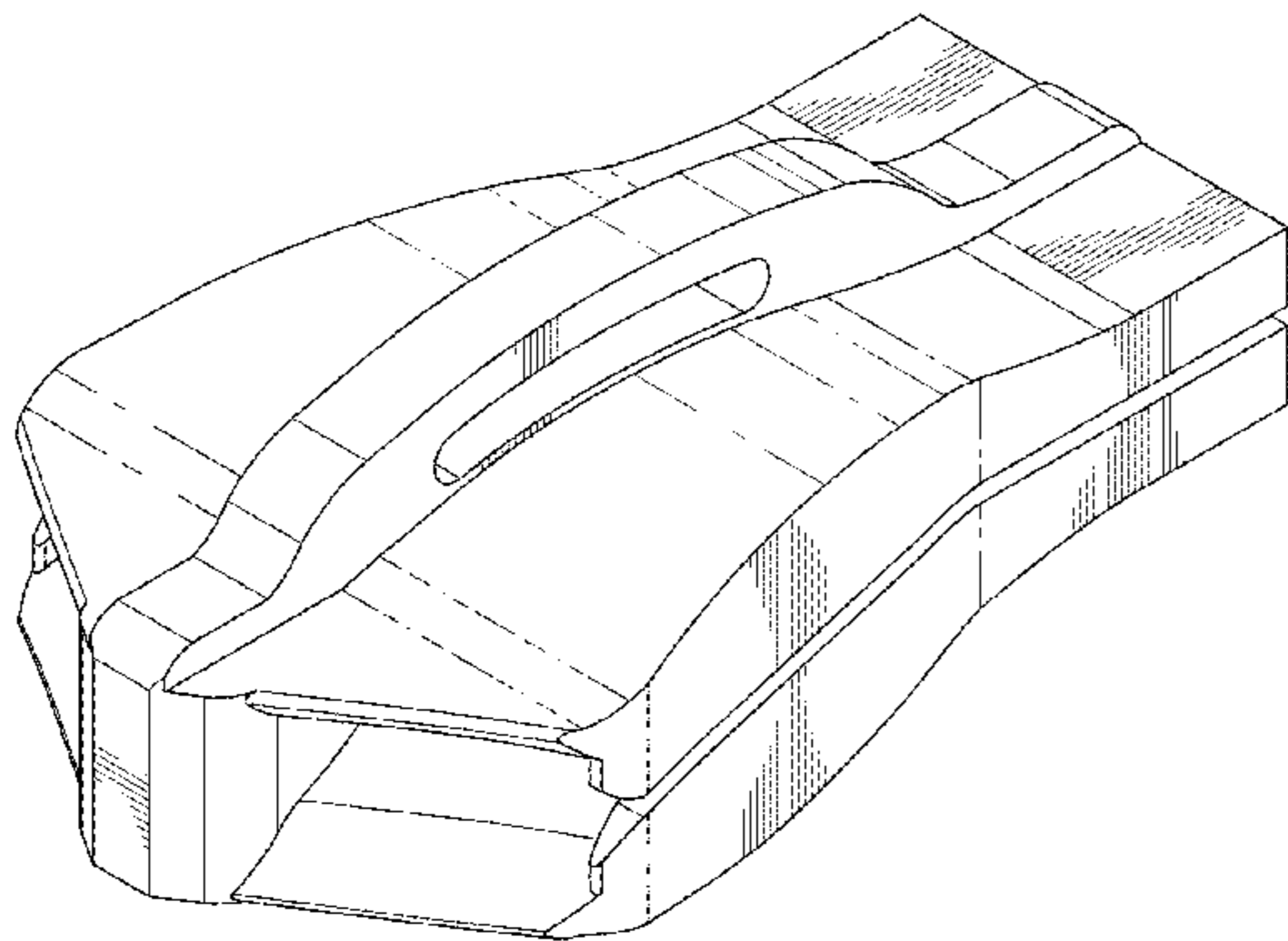
(57) **CLAIM**

The ornamental design for a zipper slider, as shown and described.

DESCRIPTION

FIG. 1 is a top perspective view thereof;
FIG. 2 is a bottom perspective view thereof;
FIG. 3 is a right hand side view thereof;
FIG. 4 is a left hand side view thereof;
FIG. 5 is a back view thereof;
FIG. 6 is a back view thereof;
FIG. 7 is top view thereof; and,
FIG. 8 is a bottom view thereof.
The broken lines are used in FIGS. 2 through 6 to illustrate unclaimed interior parts and form no part of the claimed design.

1 Claim, 5 Drawing Sheets



(56)

References Cited

U.S. PATENT DOCUMENTS

D293,225 S 12/1987 Hasegawa
 D326,433 S 5/1992 Takizawa et al.
 D334,901 S 4/1993 Bichi
 D334,902 S 4/1993 Bichi
 D392,217 S * 3/1998 Yuki D11/221
 D398,560 S * 9/1998 Oda D11/221
 5,836,058 A 11/1998 Cullum
 6,588,072 B1 * 7/2003 Lin A44B 19/265
 24/416
 D570,502 S 6/2008 Silvestrin
 D607,775 S * 1/2010 Miyazaki D11/221
 D646,196 S * 10/2011 Yamagishi D11/221
 8,539,651 B1 * 9/2013 Williams A44B 19/28
 24/415
 D731,359 S 6/2015 Xie
 2002/0050030 A1 * 5/2002 Takasawa A44B 19/26
 24/415
 2003/0101548 A1 * 6/2003 Tang A44B 19/262
 24/429
 2003/0182775 A1 * 10/2003 Lin A44B 19/306
 24/436
 2005/0022346 A1 * 2/2005 Wang A44B 19/262
 24/429
 2005/0076481 A1 * 4/2005 Lin A44B 19/306
 24/421
 2008/0007940 A1 * 1/2008 Cheng A44B 19/00
 362/103
 2008/0066270 A1 * 3/2008 Takazawa A44B 19/26
 24/439

2008/0289156 A1 * 11/2008 Lewis A44B 19/346
 24/381
 2009/0113676 A1 * 5/2009 Chung A44B 19/06
 24/406
 2009/0313793 A1 * 12/2009 Lin A44B 19/26
 24/429
 2011/0005043 A1 * 1/2011 Kovach A44B 19/262
 24/429
 2011/0197403 A1 * 8/2011 Keyaki A44B 19/306
 24/418
 2012/0124788 A1 * 5/2012 Keyaki A44B 19/382
 24/386

OTHER PUBLICATIONS

Slider for EXCELLA size 3, YKKfastening.com, [online], [site visited Sep. 14, 2017]. <URL: http://www.ykkfastening.com/products/zipper/slider/zipper_type/metal_zipper/3sg/3sg_da2ddhl.html>.*
 #3 Nylon Coil Zipper Sliders—2 Pack, Wawak.com, [online], [site visited Sep. 14, 2017]. <URL: <http://www.wawak.com/3-Nylon-Coil-Zipper-Sliders-2-Pack>>.*
 Slider for Conceal size 5, YKKfastening.com, [online], [site visited Sep. 14, 2017]. <URL: http://www.ykkfastening.com/products/zipper/slider/zipper_type/coil_zipper/5cc/5cc_da5.html>.*
 24 Diamonds.com, “Men’s Miami Cuban Link Gold Chains,” Screen capture of <http://www.24diamonds.com/miami-cuban-chains/?id_category=47468&n=150> dated Sep. 13, 2016.

* cited by examiner

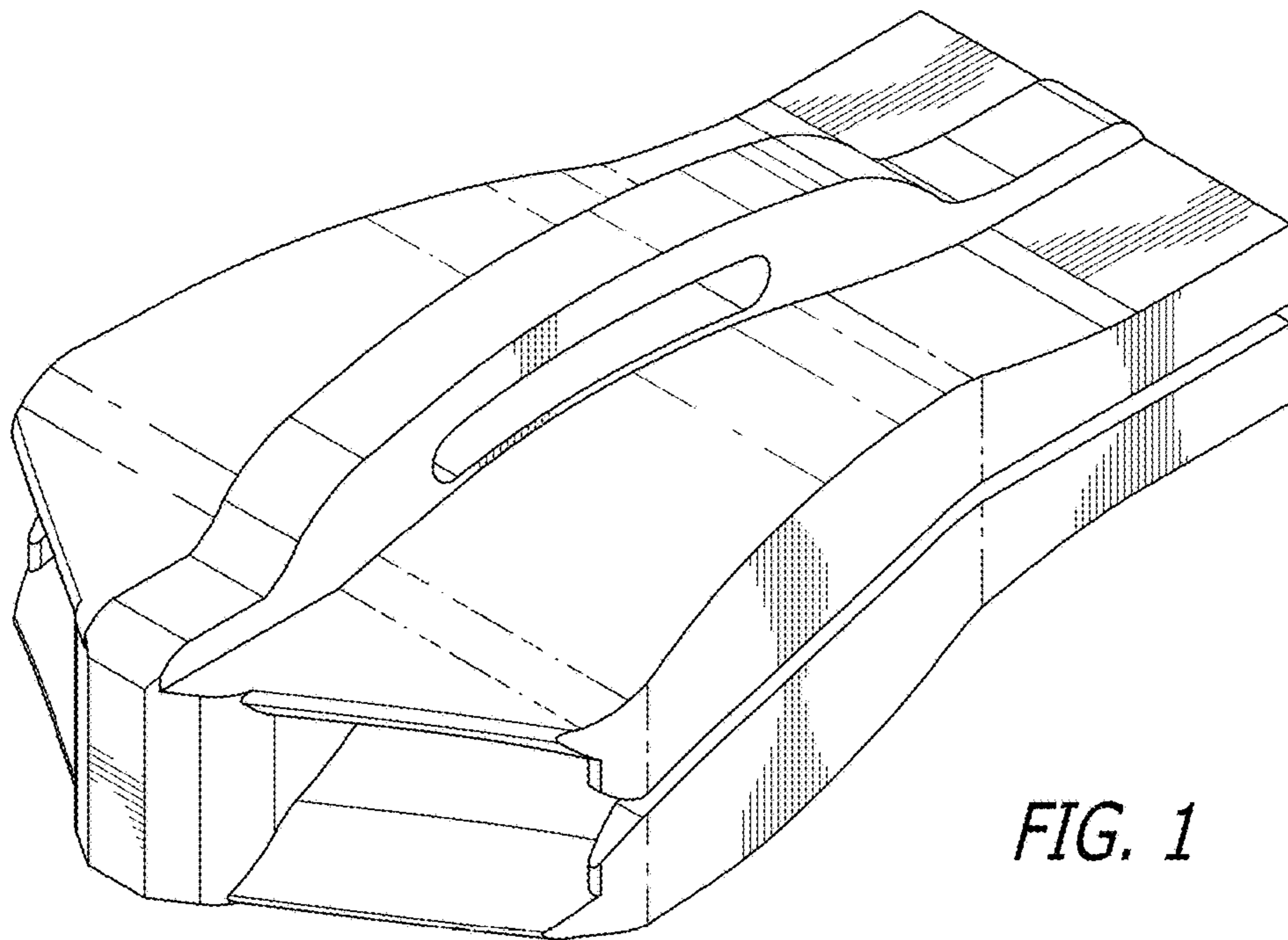


FIG. 1

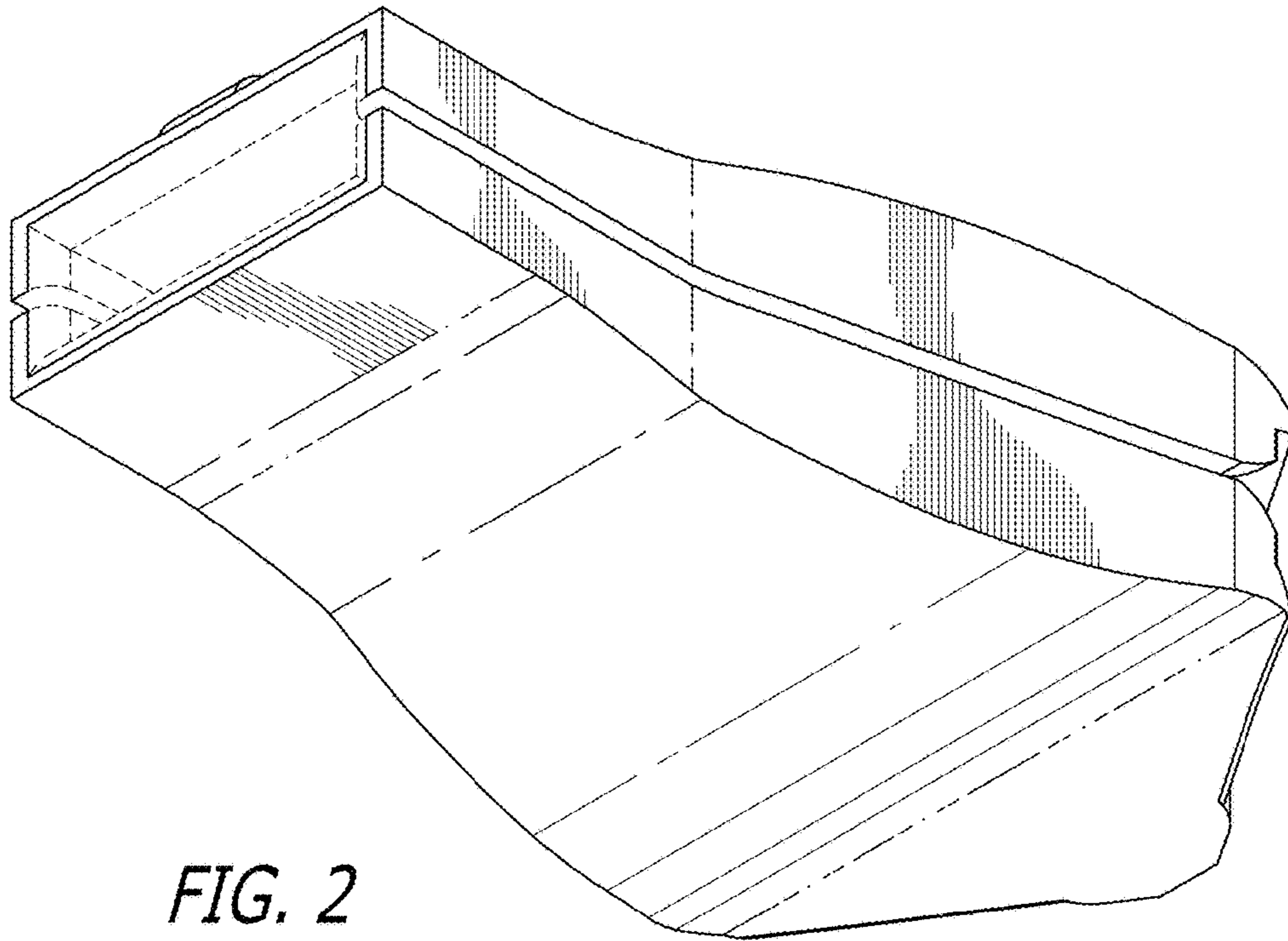


FIG. 2

FIG. 3

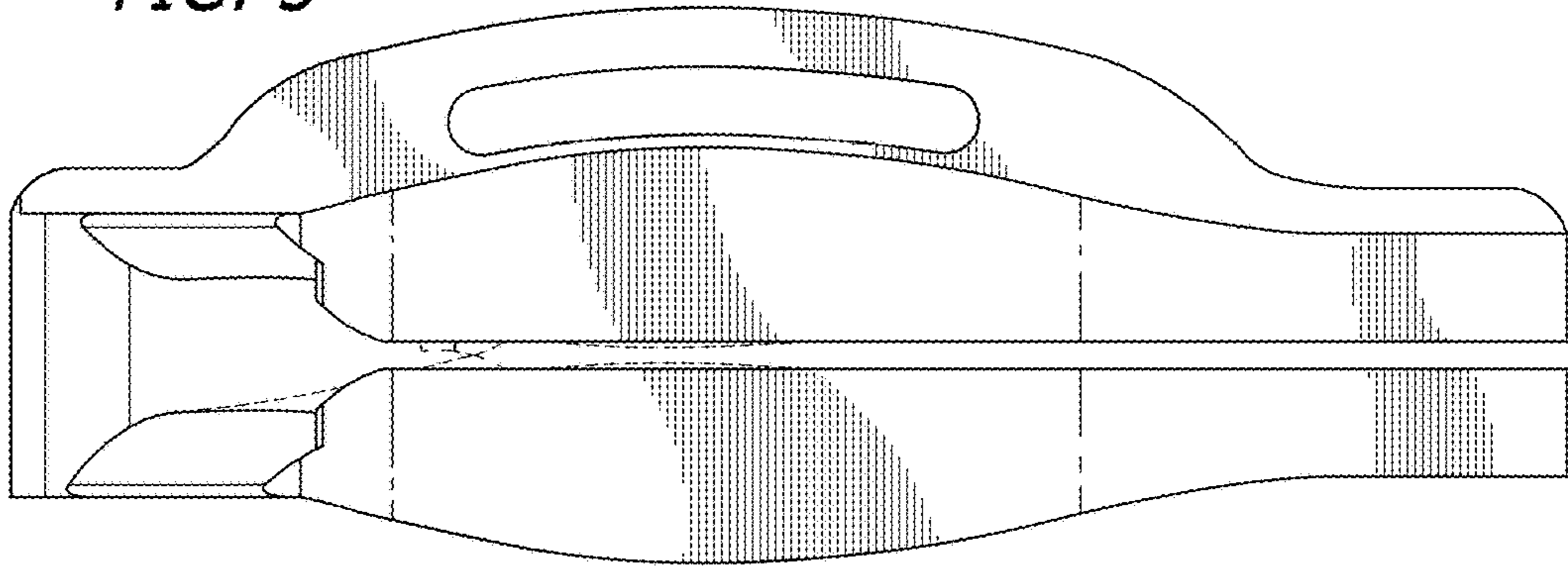


FIG. 4

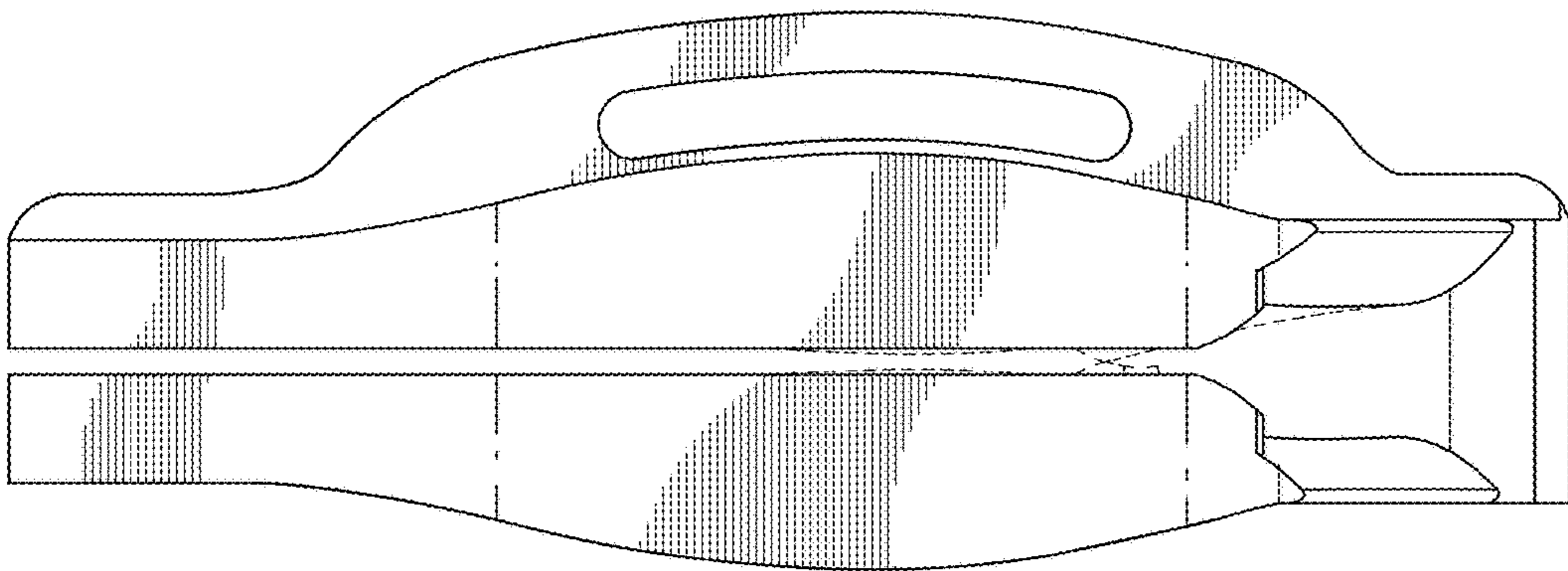


FIG. 5

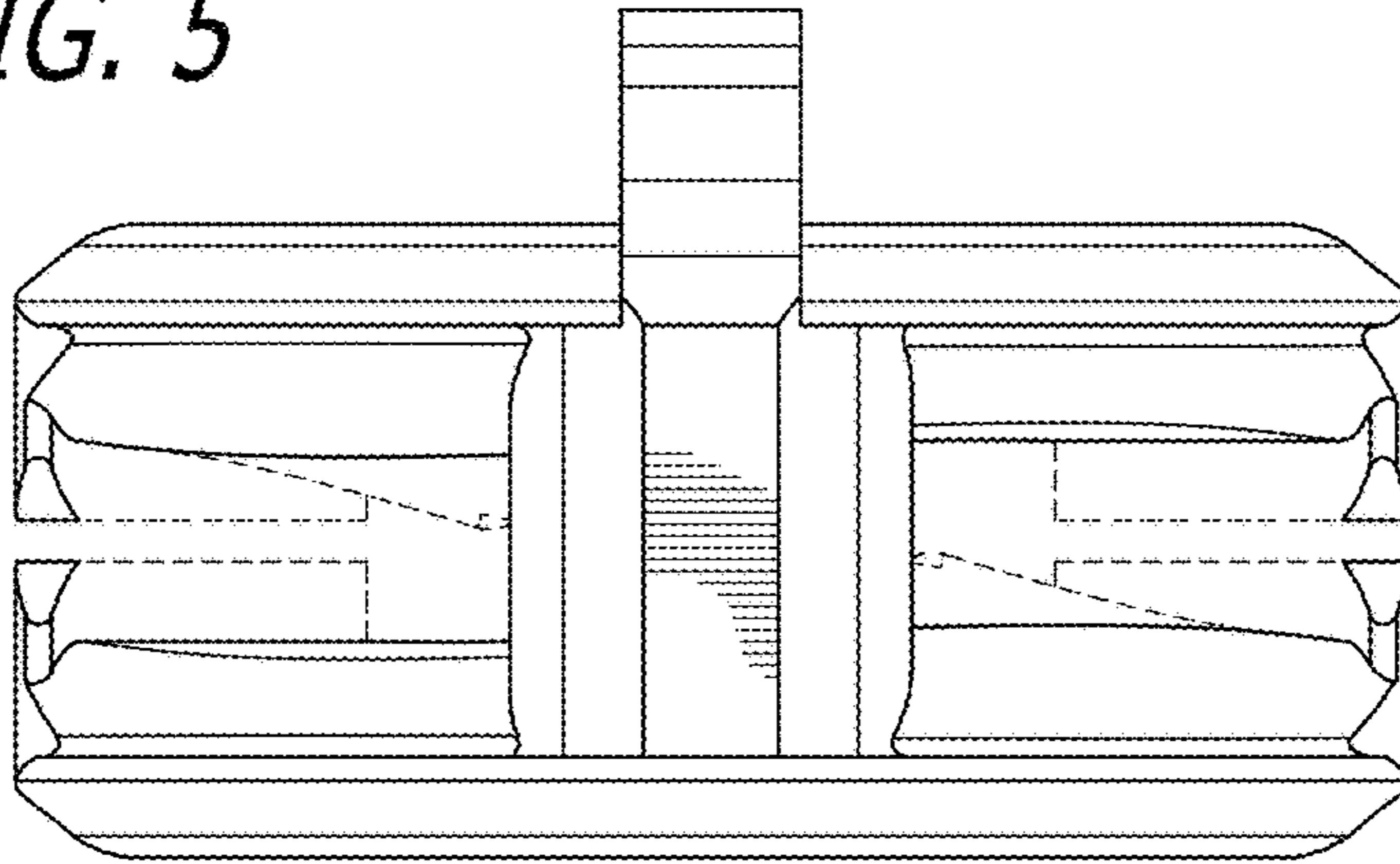


FIG. 6

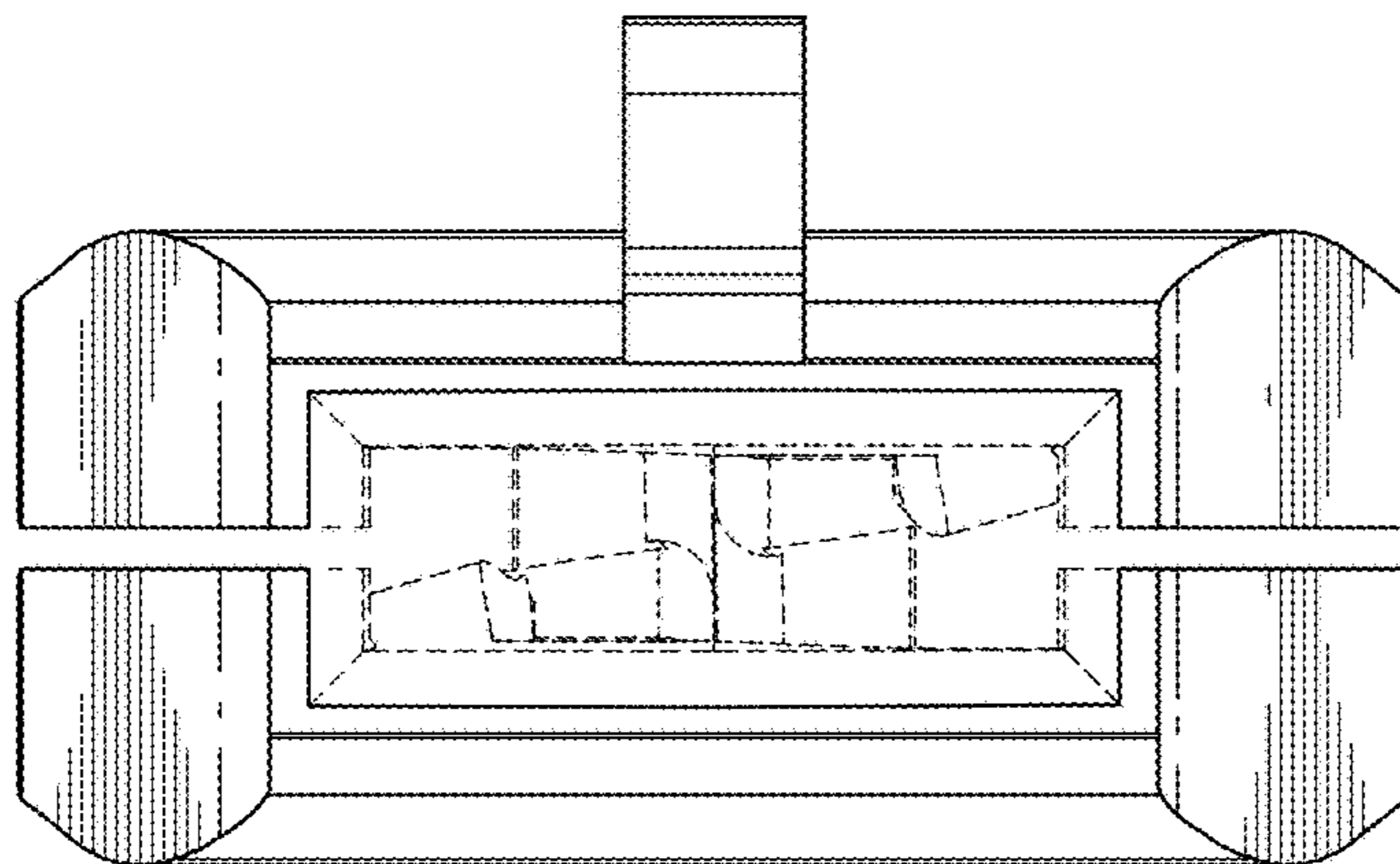


FIG. 7

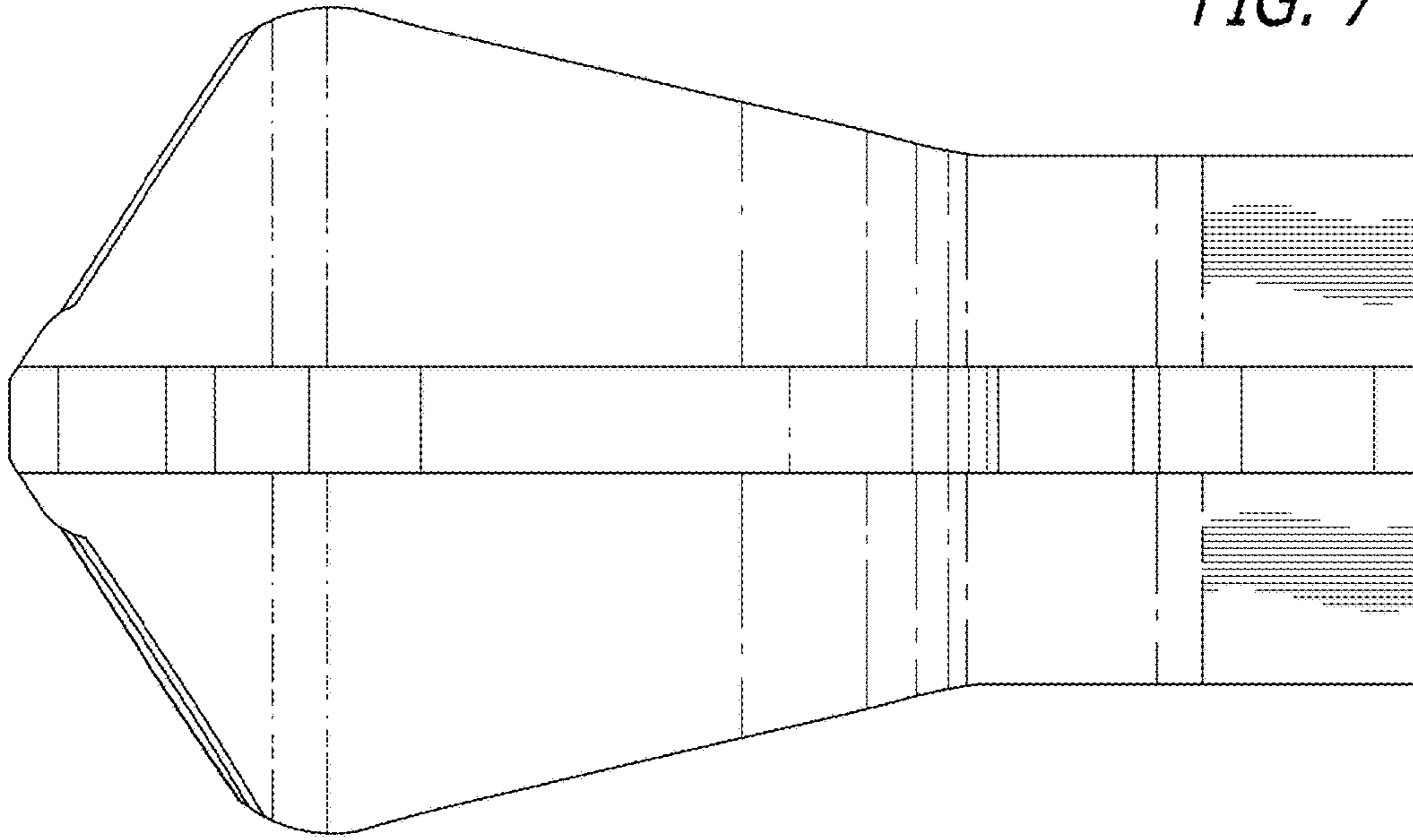


FIG. 8

