



US00D821258S

(12) **United States Design Patent**  
**Tao**

(10) **Patent No.:** **US D821,258 S**  
(45) **Date of Patent:** **\*\* Jun. 26, 2018**

(54) **RAILING SUPPORTED ELONGATED PLANTER**

(71) Applicant: **Almi International Plastic Industries, S.A.**, Hollywood, FL (US)

(72) Inventor: **Andrew Tao**, Zhejiang (CN)

(73) Assignee: **Almi International Plastic Industries S.A.**, Hollywood, FL (US)

(\*\*) Term: **15 Years**

(21) Appl. No.: **29/573,847**

(22) Filed: **Aug. 10, 2016**

(51) **LOC (11) Cl.** ..... **11-02**

(52) **U.S. Cl.**  
USPC ..... **D11/152**

(58) **Field of Classification Search**  
USPC ..... D11/143-156; D6/556, 525; D7/533, D7/620  
CPC ..... A01G 27/04; A01G 9/02; A01G 9/022; A47G 7/041; A47G 7/06; A47H 27/00  
See application file for complete search history.

(56) **References Cited**

**U.S. PATENT DOCUMENTS**

D296,088 S *	6/1988	Pouliot	.....	D11/143
D296,089 S *	6/1988	Pouliot	.....	D11/143
D312,983 S *	12/1990	Powell	.....	D11/143
D367,243 S *	2/1996	McAllister	.....	D11/152
D385,213 S *	10/1997	McAllister	.....	D11/156
D439,545 S *	3/2001	Grosfillex	.....	D11/152

8,312,674 B2 *	11/2012	Adams	.....	A01G 27/04 47/66.7
D706,671 S *	6/2014	Thuma	.....	D11/152
D710,245 S *	8/2014	Mast	.....	D11/155
2011/0258928 A1 *	10/2011	Adams	.....	A01G 9/02 47/79
2015/0000189 A1 *	1/2015	Greis-Avnon	.....	A01G 9/02 47/66.5

\* cited by examiner

*Primary Examiner* — Sheryl Lane

(74) *Attorney, Agent, or Firm* — Howard Natter; Natter & Natter

(57) **CLAIM**

The ornamental design for a railing supported elongated planter, as shown and described.

**DESCRIPTION**

FIG. 1 is a top front right side perspective view of a railing supported elongated planter showing my new design; FIG. 2 is a top plan view thereof; FIG. 3 is a front side elevational view thereof; the rear side elevational view being a mirror image thereof; FIG. 4 is a left side elevational view thereof; the right side elevational view being a mirror image thereof; and, FIG. 5 is a bottom plan view thereof. The broken lines in FIG. 3 represent environment and form no part of the claimed design. The broken lines in FIGS. 4 and 5 represent portions of the planter and form no part of the claimed design.

**1 Claim, 3 Drawing Sheets**

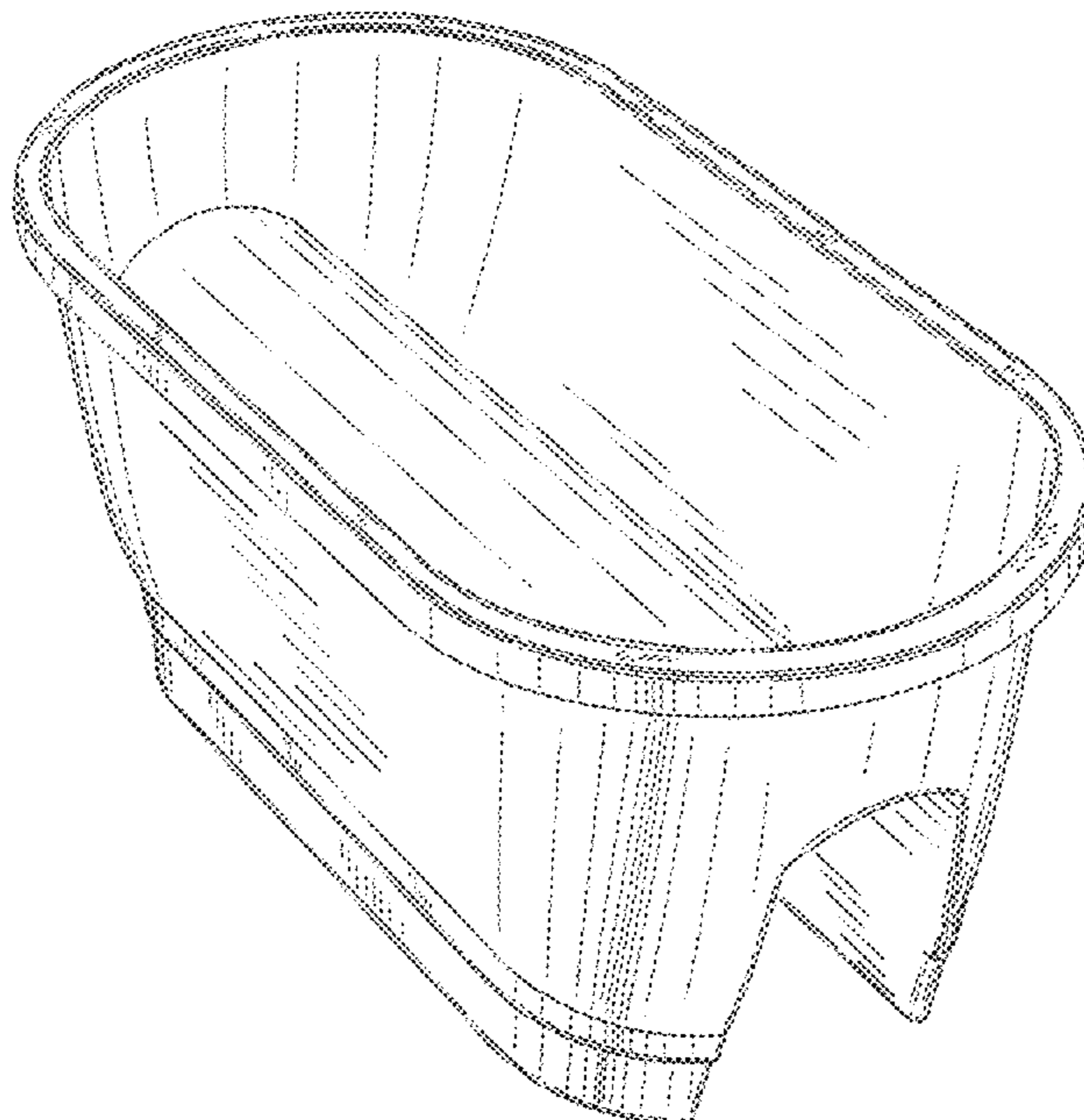
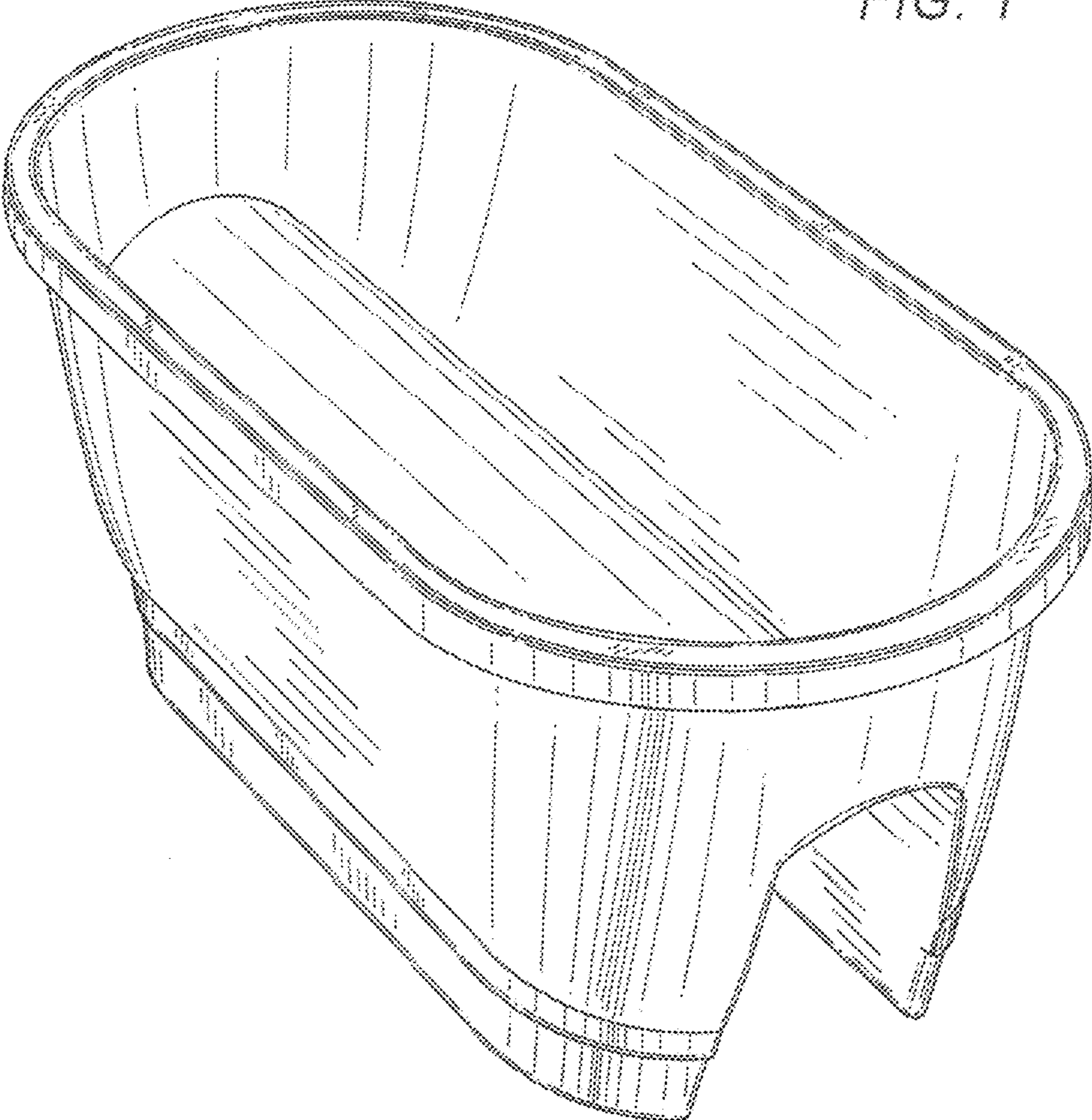


FIG. 1



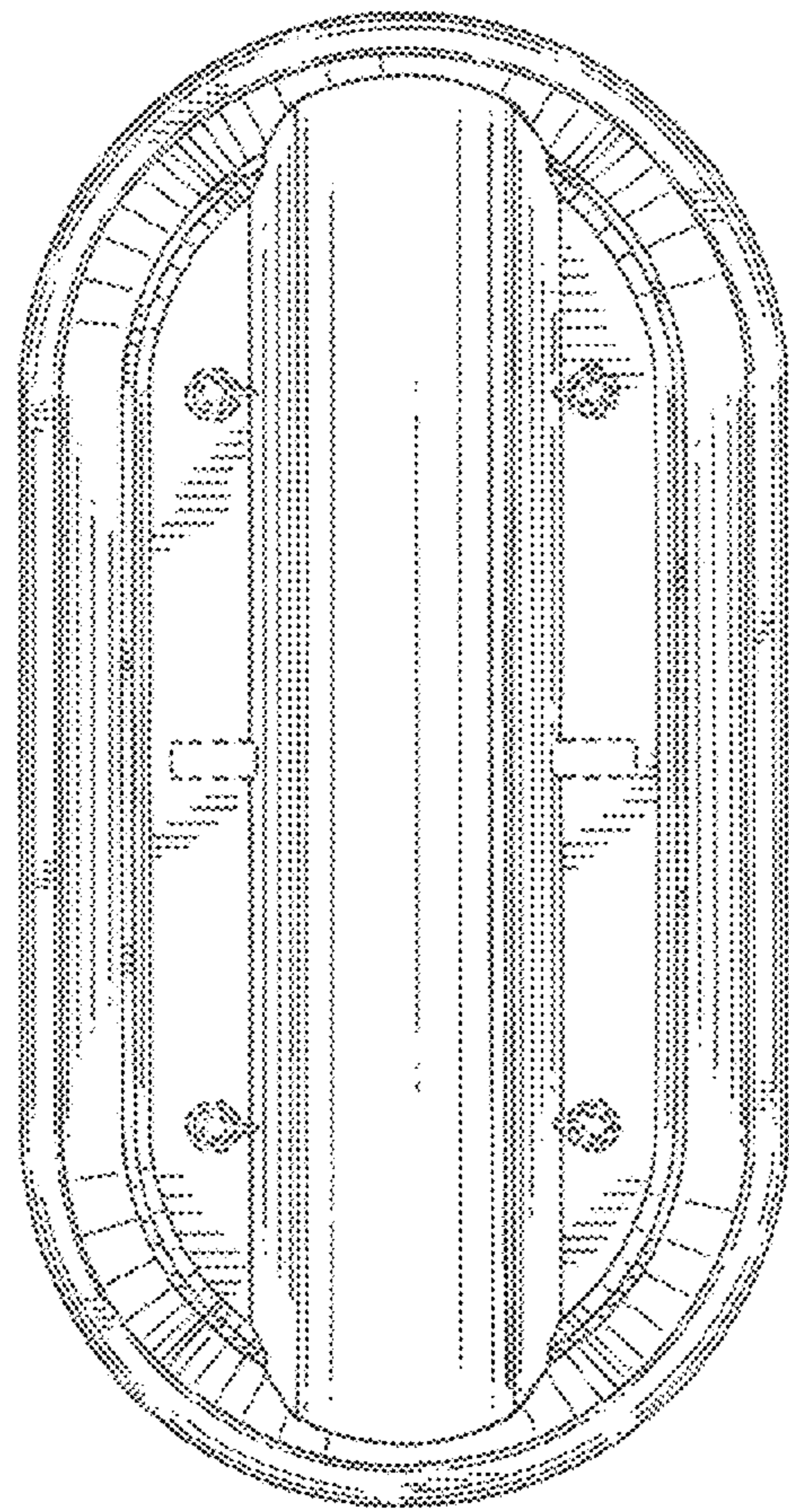


FIG. 2

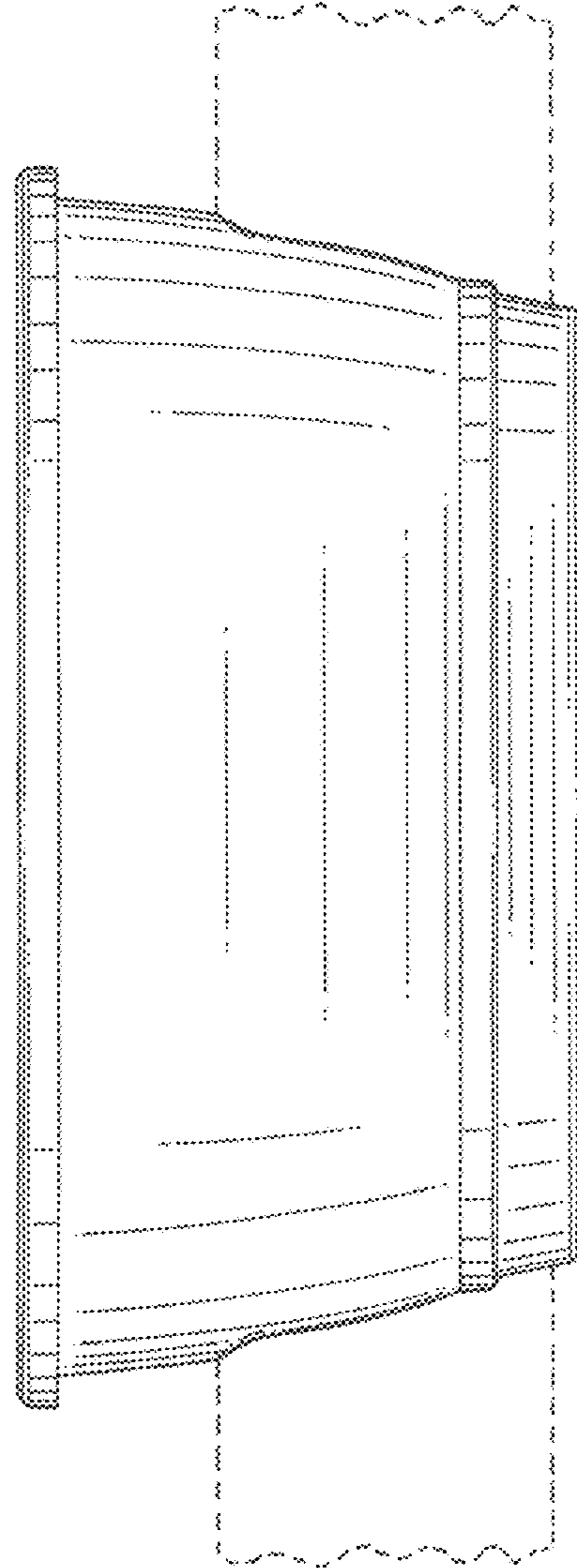


FIG. 3

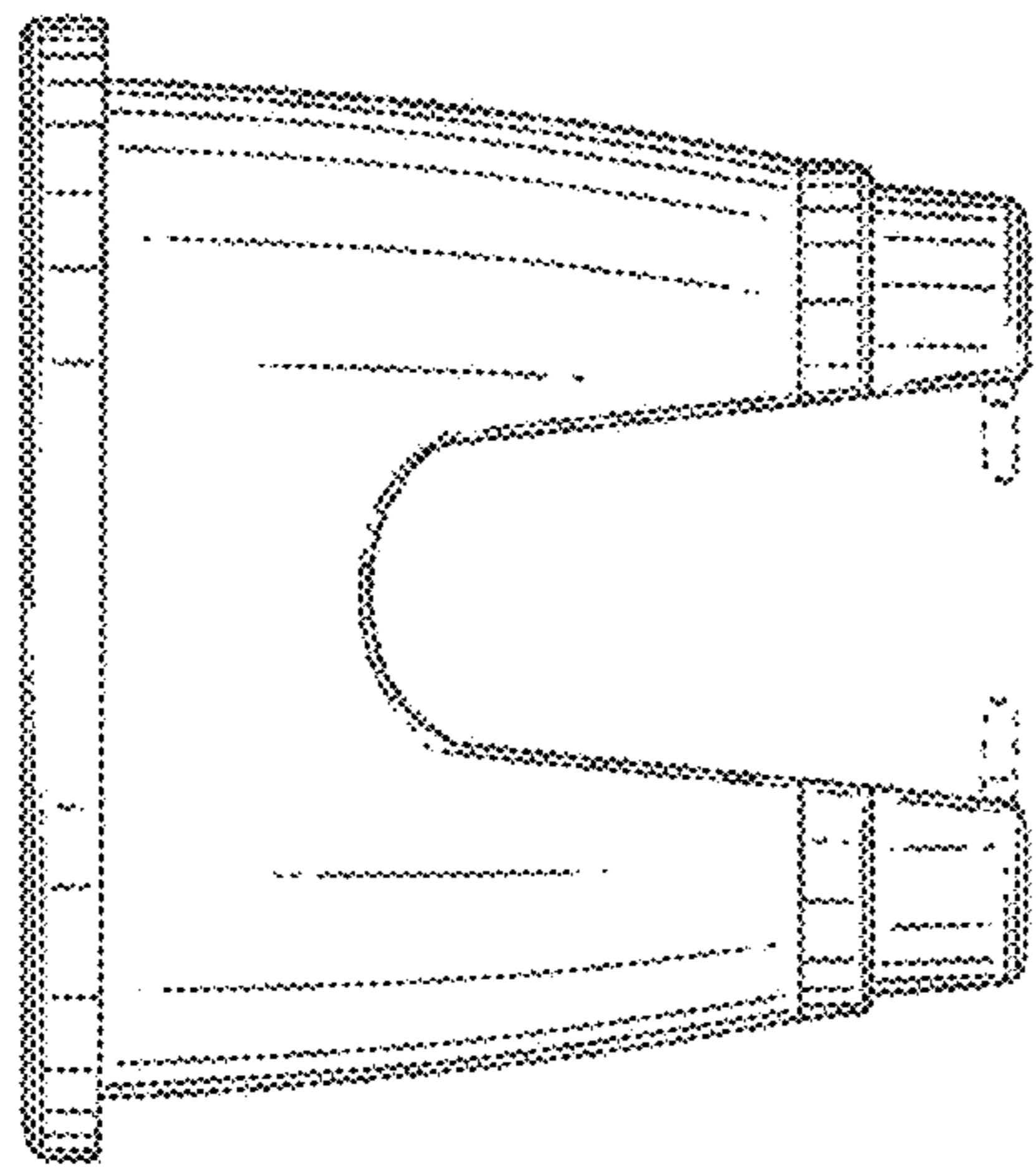


FIG. 4

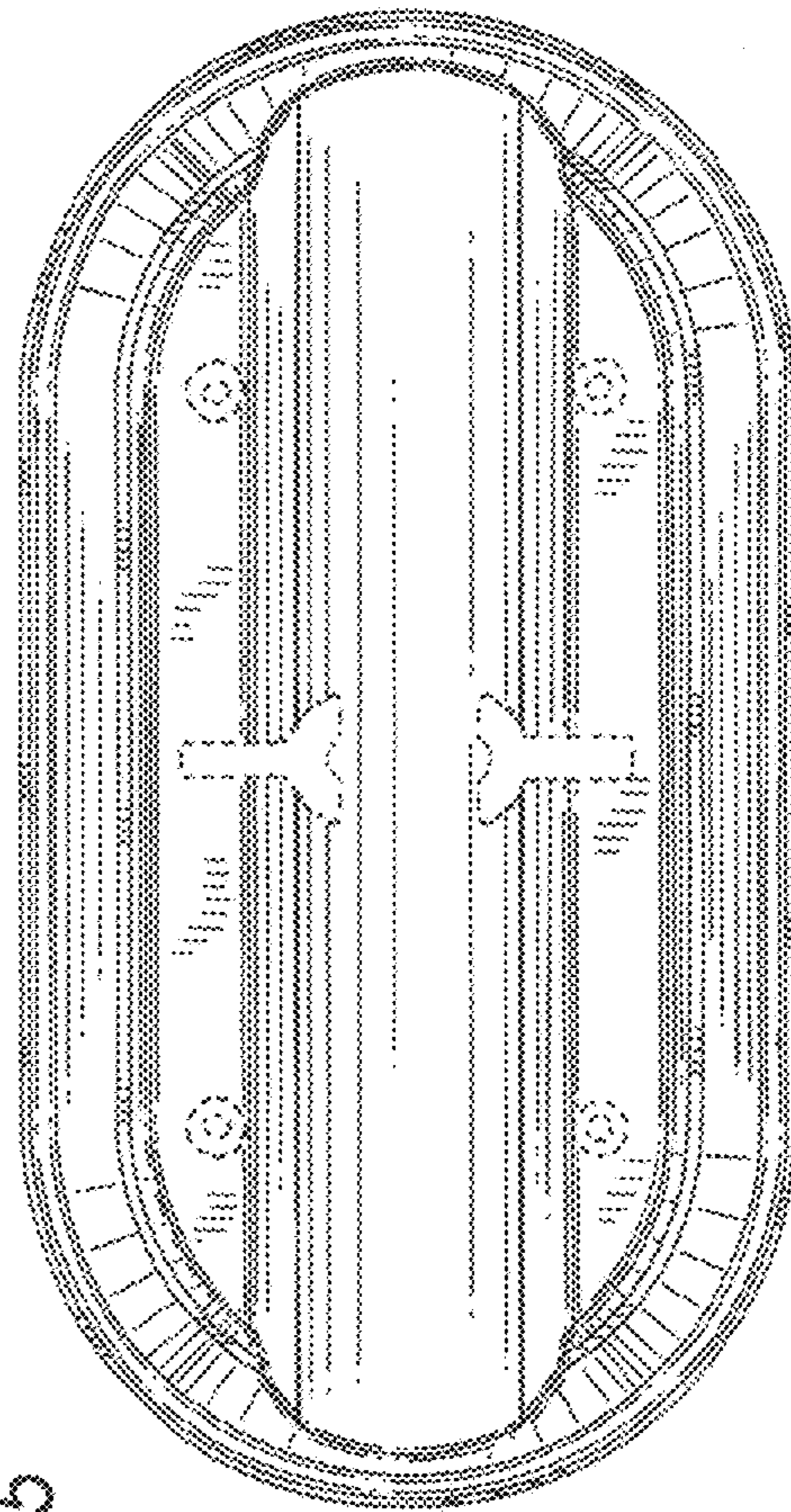


FIG. 5