



US00D821254S

(12) **United States Design Patent**
McKean

(10) **Patent No.:** **US D821,254 S**
(45) **Date of Patent:** **** Jun. 26, 2018**

(54) **LOCKET**

(71) Applicant: **Minkaa Daisy Lockets & More, LLC**,
New Oxford, PA (US)

(72) Inventor: **Dawn McKean**, New Oxford, PA (US)

(73) Assignee: **Minkaa Daisy Lockets & More, LLC**,
New Oxford, PA (US)

(**) Term: **15 Years**

(21) Appl. No.: **29/585,080**

(22) Filed: **Nov. 21, 2016**

(51) **LOC (11) Cl.** **11-01**

(52) **U.S. Cl.**
USPC **D11/80**

(58) **Field of Classification Search**
USPC D10/30, 31, 37; D11/1, 2, 40, 41, 43,
D11/46, 79-81, 86, 97
CPC A44C 25/00; A44C 25/001; A44C 25/002;
A44C 25/004; A44C 25/005; A44C
25/007; A44C 17/0225; A44C 13/00;
A47G 1/12
See application file for complete search history.

(56) **References Cited**

U.S. PATENT DOCUMENTS

D276,506 S * 11/1984 Henkels D10/23
D314,525 S * 2/1991 Alward D11/2
D505,636 S * 5/2005 Bisceglie D11/79
D538,196 S * 3/2007 Lee D11/79
8,166,689 B1 * 5/2012 Emshoff A47G 33/08
206/476

D678,109 S * 3/2013 Phillips D11/79
D722,279 S * 2/2015 Kirkham D11/43
9,826,804 B1 * 11/2017 Percival A44C 25/002
D813,712 S * 3/2018 McKean D11/86
D813,717 S * 3/2018 Shah D11/91
2007/0209247 A1 * 9/2007 Raisner A44B 15/005
40/323
2007/0234756 A1 * 10/2007 Katz A44C 25/002
63/1.14
2010/0024480 A1 * 2/2010 Emer A44C 5/003
63/1.14

* cited by examiner

Primary Examiner — Kevin K Rudzinski

Assistant Examiner — Richard Kearney

(74) *Attorney, Agent, or Firm* — William C. Schrot;
AuerbachSchrot LLC

(57) **CLAIM**

The ornamental design for a locket, as shown and described.

DESCRIPTION

FIG. 1 is a front perspective view of a locket according to the invention;

FIG. 2 is a rear perspective view of the locket of FIG. 1;

FIG. 3 is a front view of the locket of FIG. 1;

FIG. 4 is a rear view of the locket of FIG. 1;

FIG. 5 is a top view of the locket of FIG. 1;

FIG. 6 is a bottom view of the locket of FIG. 1;

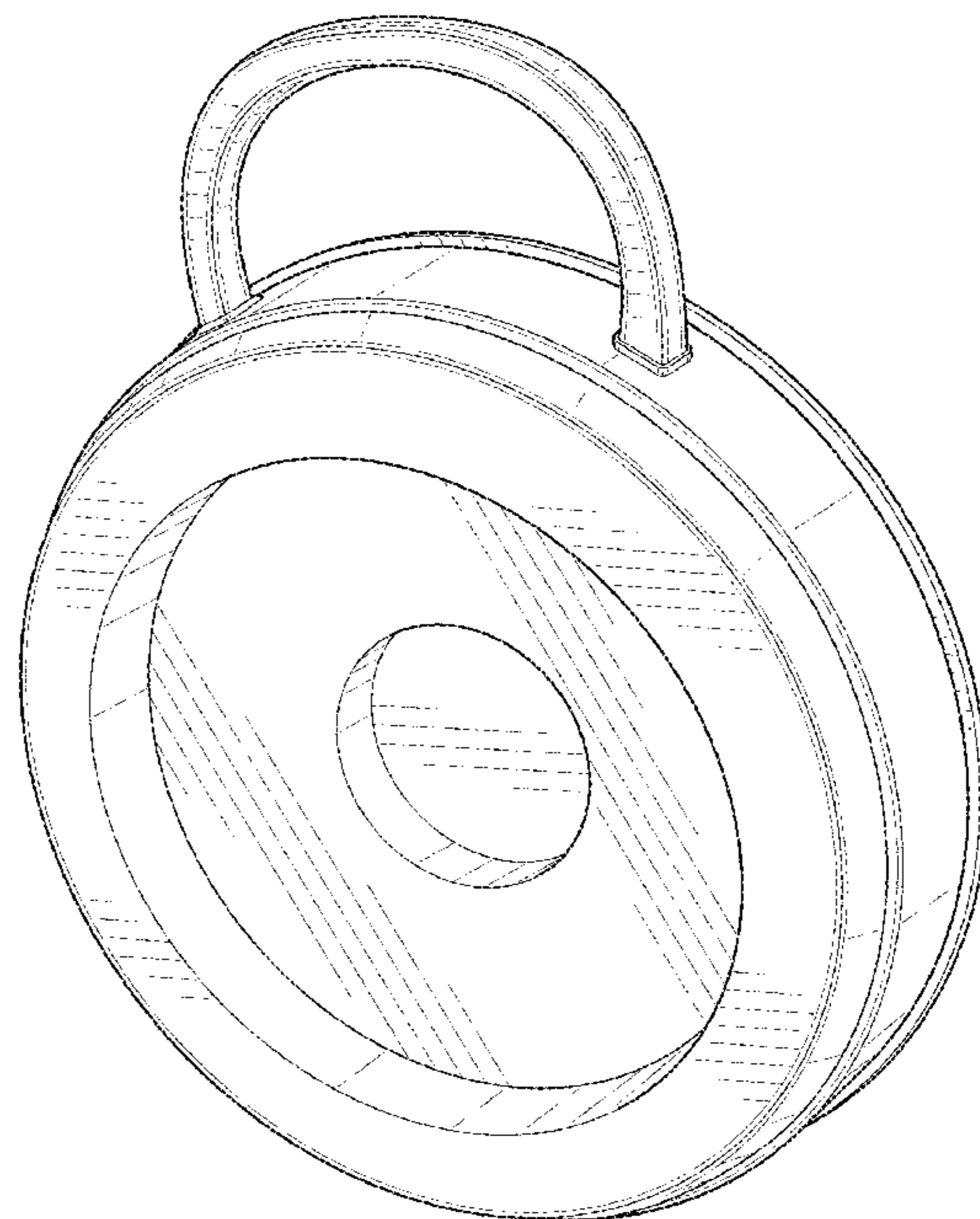
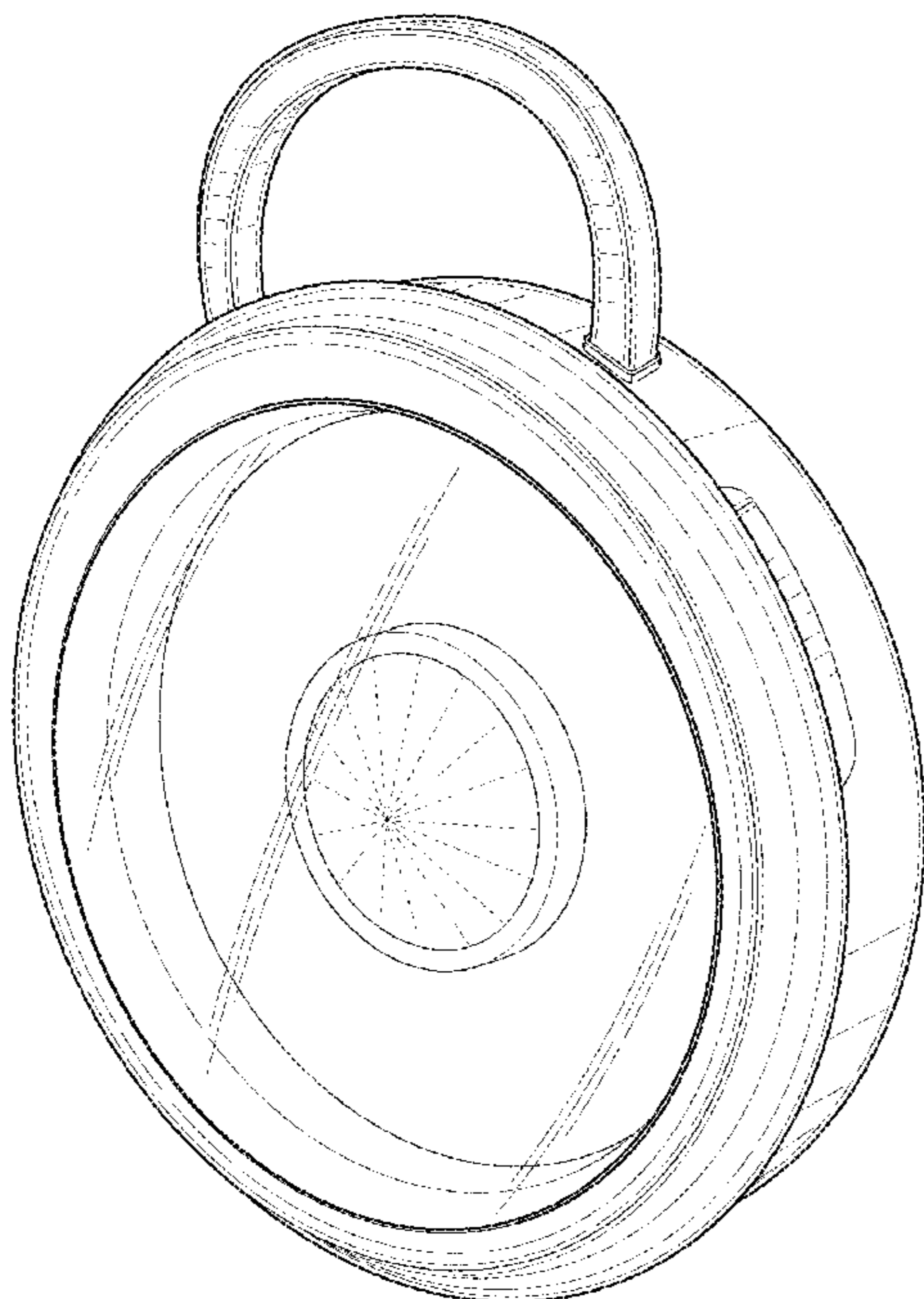
FIG. 7 is a right side view of the locket of FIG. 1;

FIG. 8 is a left side view of the locket of FIG. 1; and,

FIG. 9 is a front perspective view of the locket of FIG. 1 attached to an exemplary jewelry component.

The broken lines shown in the drawings illustrate environmental structure that forms no part of the claimed design.

1 Claim, 7 Drawing Sheets



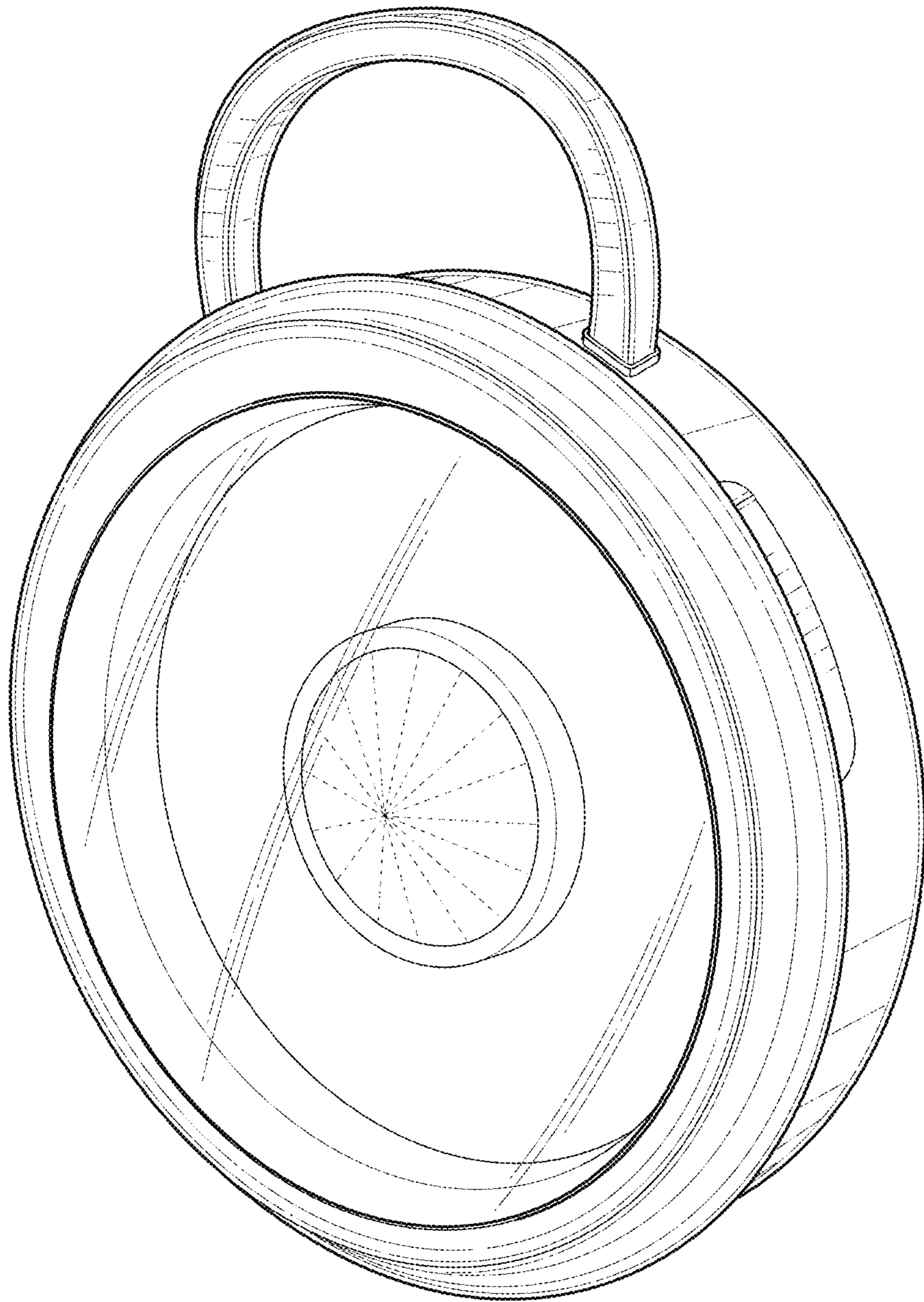


FIG. 1

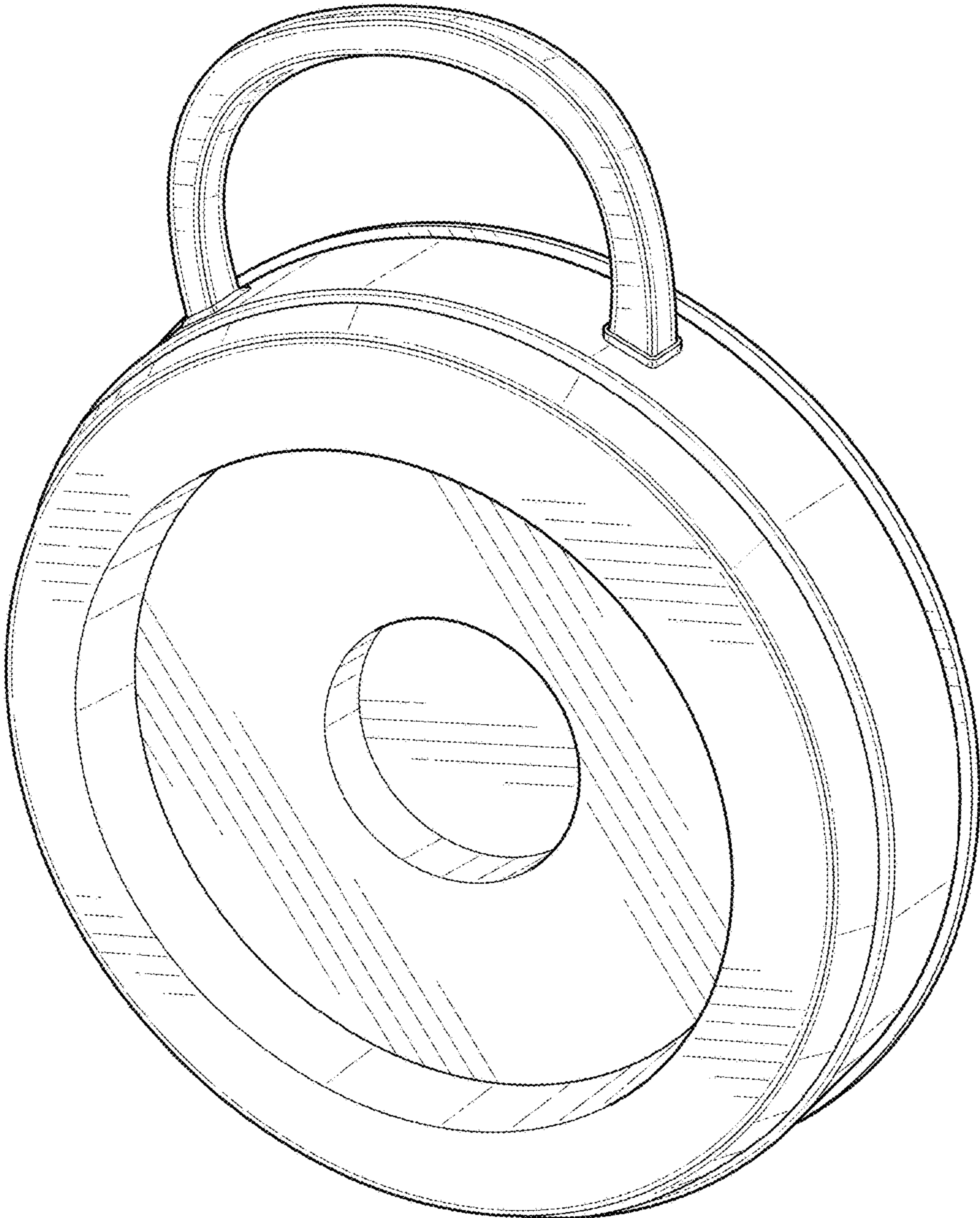


FIG. 2

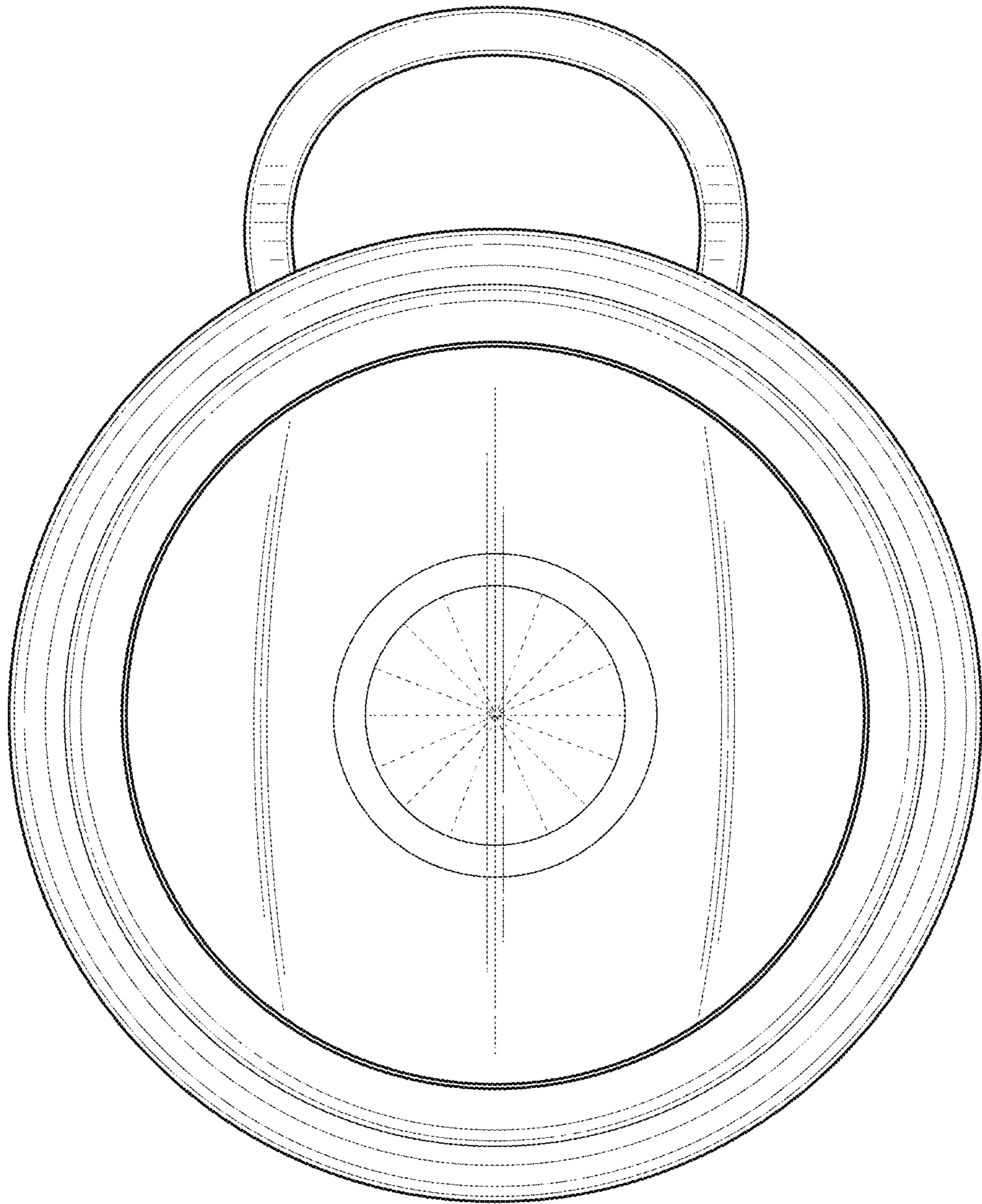


FIG. 3

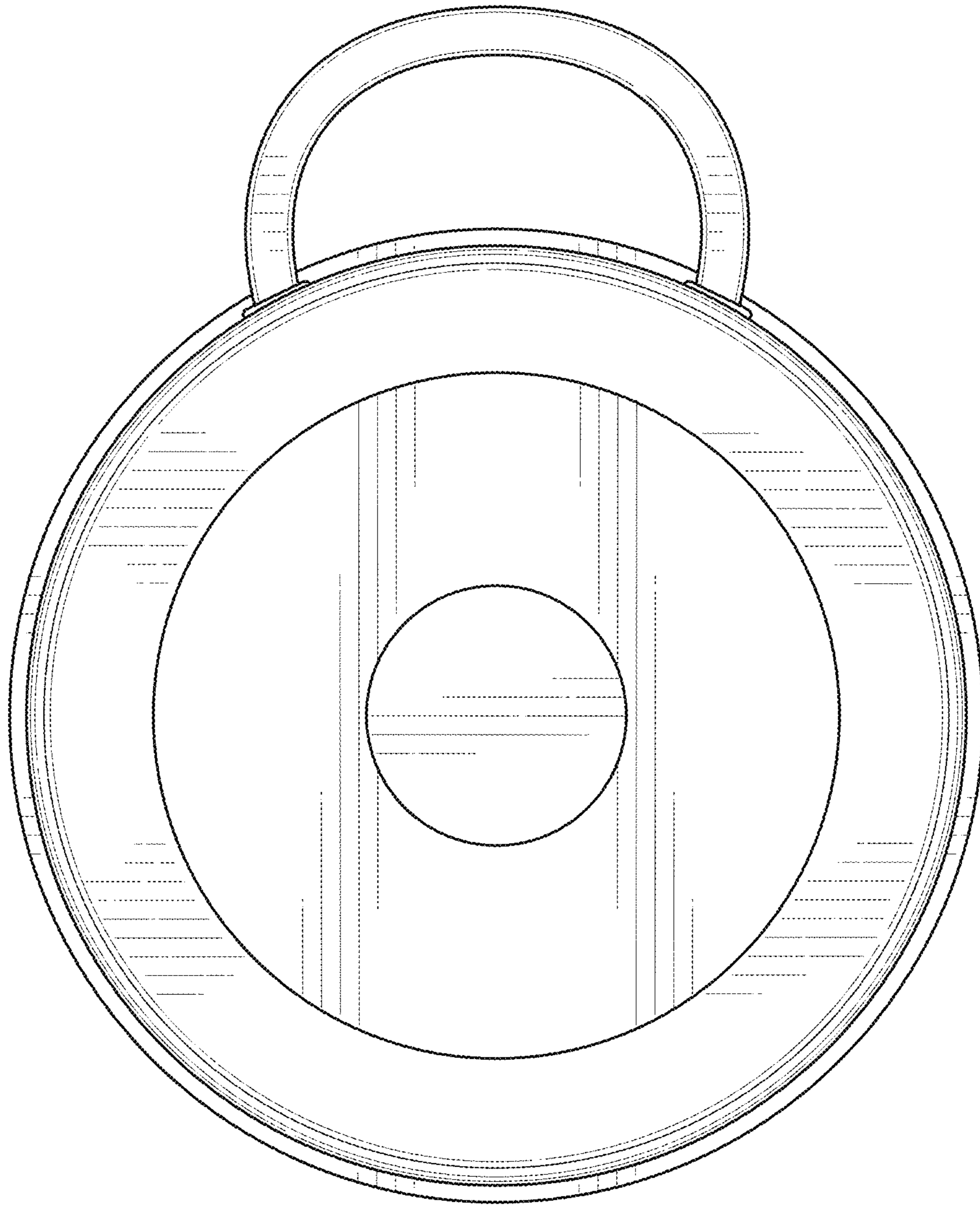


FIG. 4

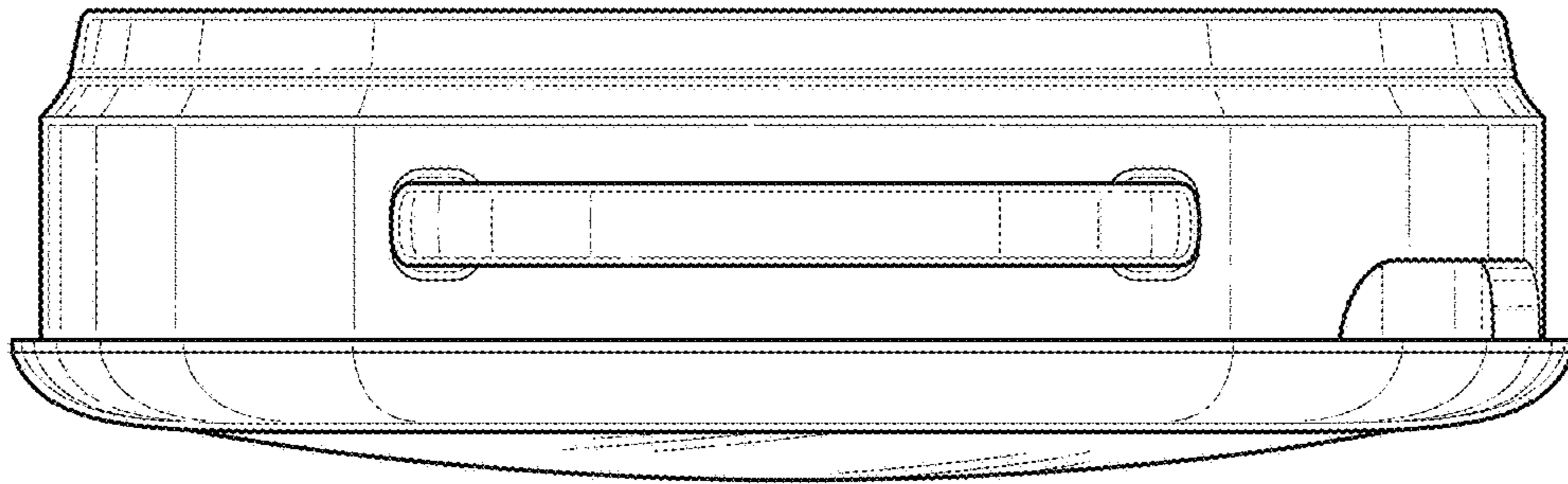


FIG. 5

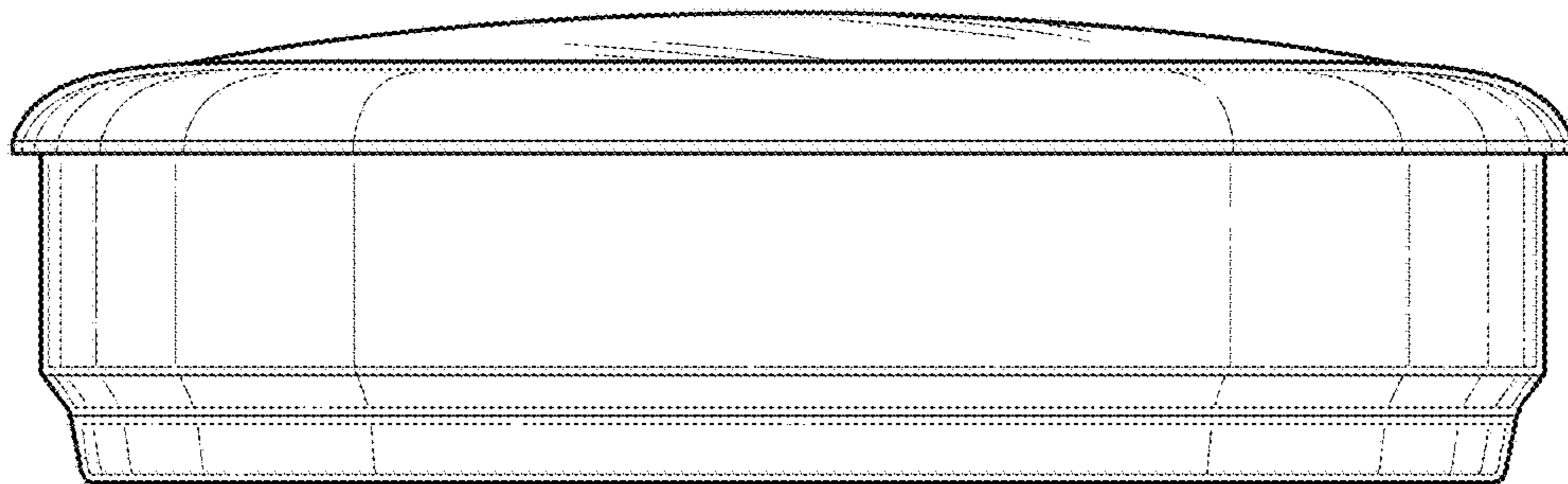


FIG. 6

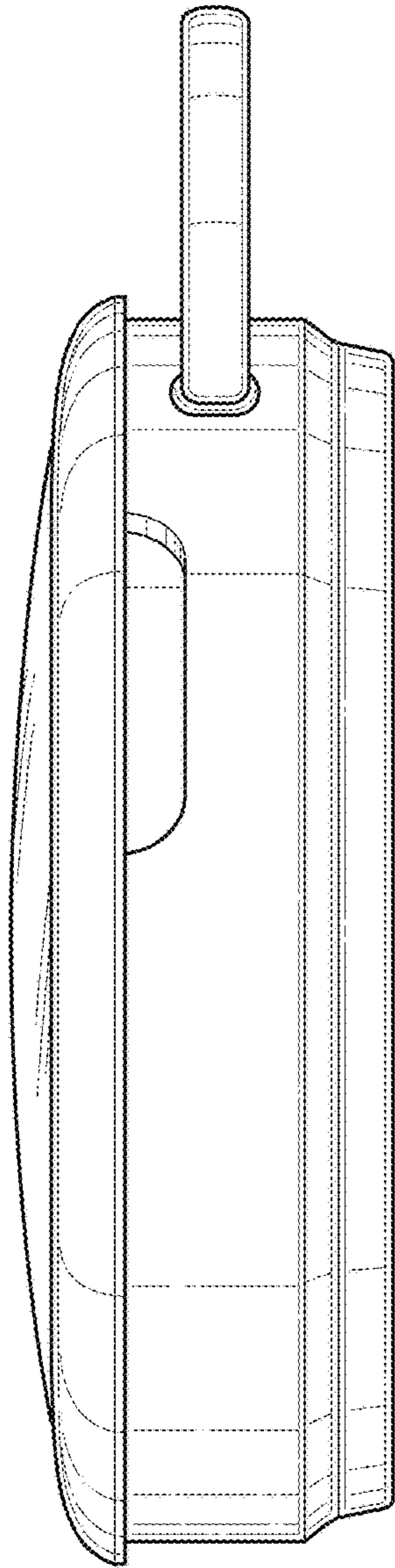


FIG. 7

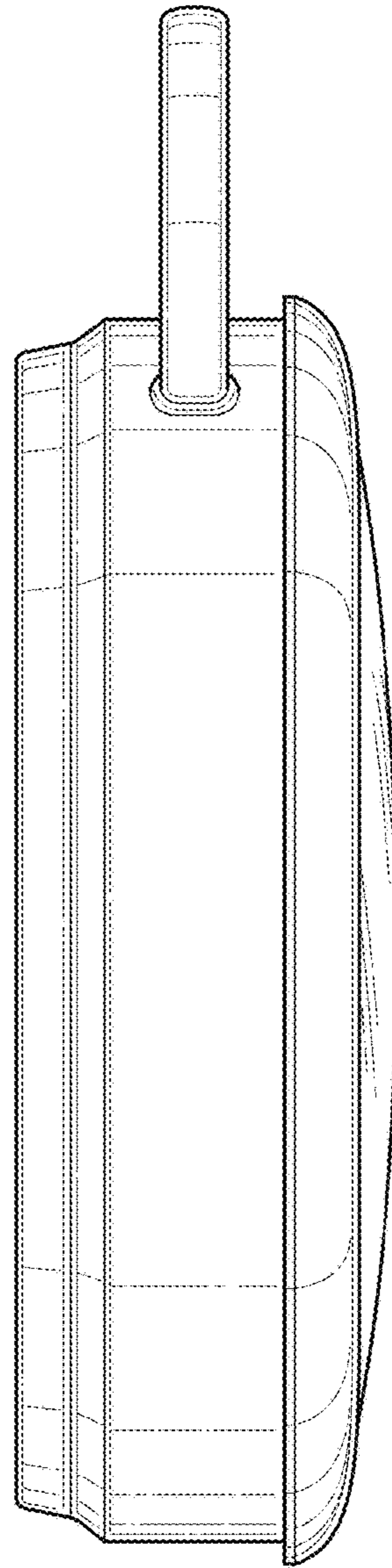


FIG. 8

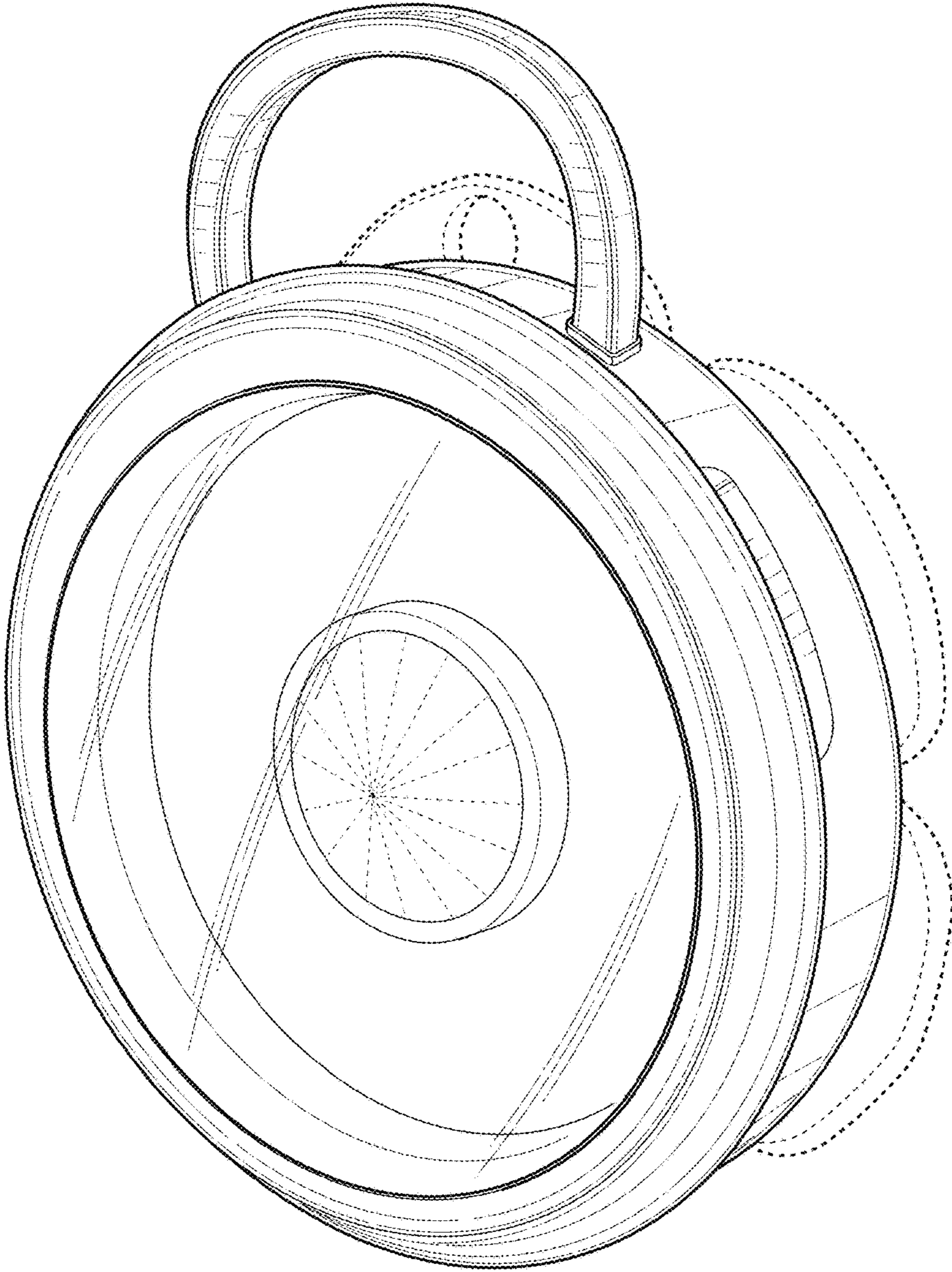


FIG. 9