



US00D821253S

(12) **United States Design Patent**
Faria

(10) **Patent No.:** **US D821,253 S**
(45) **Date of Patent:** **** Jun. 26, 2018**

(54) **NECKLACE PENDANT**
(71) Applicant: **Marlene Faria**, Malden, MA (US)
(72) Inventor: **Marlene Faria**, Malden, MA (US)
(**) Term: **15 Years**
(21) Appl. No.: **29/585,756**
(22) Filed: **Nov. 29, 2016**
(51) **LOC (11) Cl.** **11-01**
(52) **U.S. Cl.**
USPC **D11/79; D11/8**
(58) **Field of Classification Search**
USPC D11/1, 2, 7, 8, 11, 16, 17, 24, 27, 40,
D11/41-44, 56, 66, 70, 75, 76, 79, 86,
D11/89, 103, 108, 121, 184, 202, 212,
D11/228
CPC . A44C 13/00; A44C 17/0225; A44C 17/0241;
A44C 25/00
See application file for complete search history.

D475,316 S * 6/2003 Skiles D10/32
6,729,159 B2 * 5/2004 Rose A44C 17/0208
24/574.1
D499,046 S * 11/2004 Pinto D11/79
D515,451 S * 2/2006 Pinto D11/7
D516,741 S * 3/2006 Schuyler D26/154
7,036,339 B1 * 5/2006 Chia A44C 11/007
29/10
D597,881 S * 8/2009 Hou D11/3
D676,780 S * 2/2013 Papadimitriou D11/43
D785,493 S * 5/2017 Bhansali D11/90
(Continued)

(56) **References Cited**
U.S. PATENT DOCUMENTS
292,810 A * 2/1884 Hartmann A44C 7/00
24/705
1,560,414 A * 11/1925 De Haan A44C 17/005
63/32
4,763,489 A * 8/1988 Strong A44C 13/00
24/698.3
D386,439 S * 11/1997 Itzkowitz D11/41
D394,824 S * 6/1998 Itzkowitz D11/79
D423,980 S * 5/2000 Chan D11/7
D452,183 S * 12/2001 Pinto D11/91
D460,014 S * 7/2002 Williams D11/1
D460,714 S * 7/2002 Steinberg D11/91
6,484,537 B2 * 11/2002 Takessian A44C 17/0208
63/26
D471,129 S * 3/2003 Chia D11/93
6,553,785 B2 * 4/2003 Mount A44C 15/005
63/1.11

OTHER PUBLICATIONS

3-stone-diamond-necklace (available online) Retrieved from the internet Nov. 6, 2017, retrieved from URL: <https://sep.yimg.com/ay/yhst-14943370375364/3-stone-diamond-necklace-1-50cttw-18.jpg>.
(Continued)

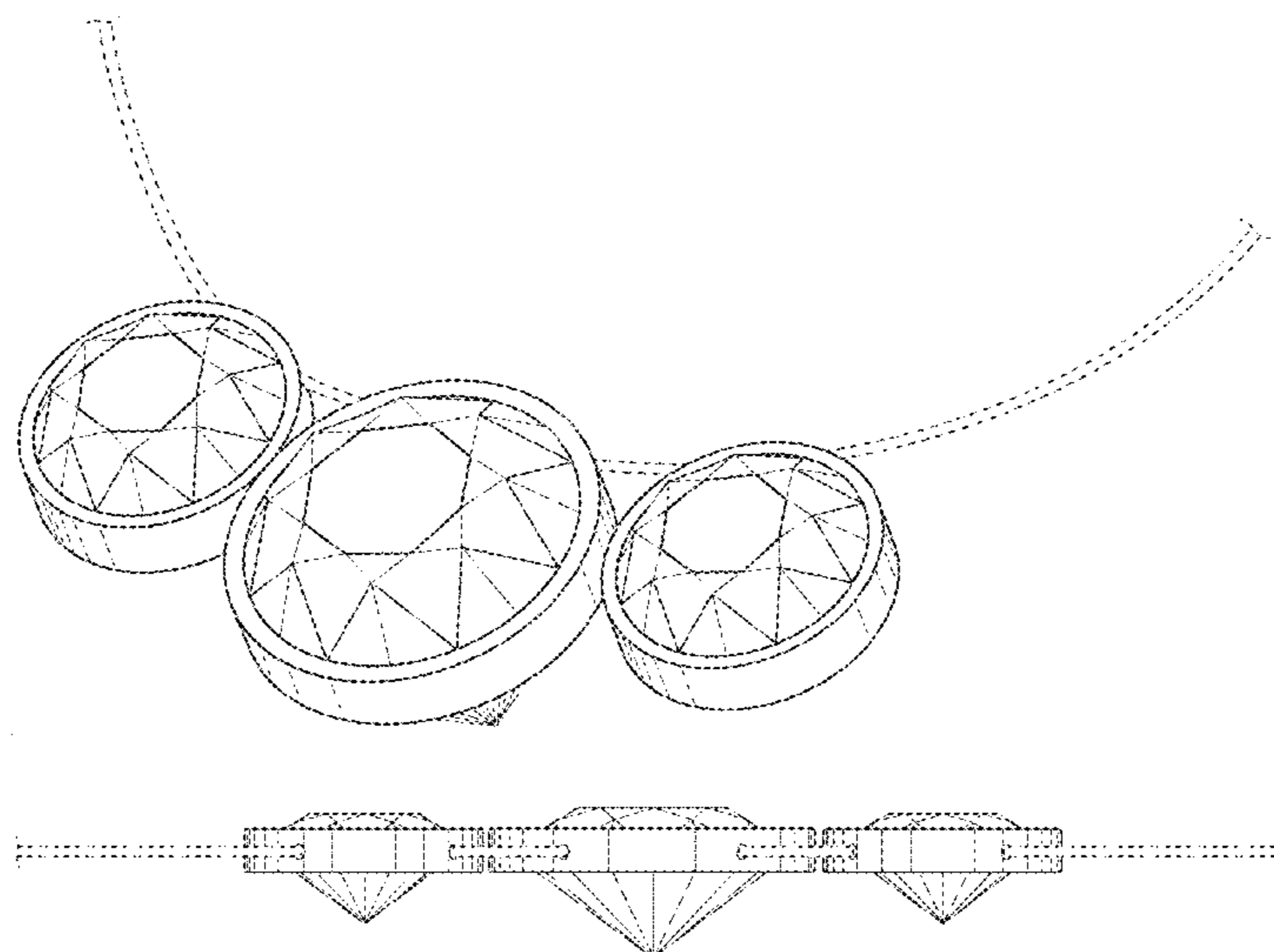
Primary Examiner — Garth Rademaker
Assistant Examiner — Richard Kearney
(74) *Attorney, Agent, or Firm* — Daniel N. Smith

(57) **CLAIM**
The ornamental design for a necklace pendant, as shown and described.

DESCRIPTION

FIG. 1 illustrates a front perspective view of a necklace pendant showing my new design;
FIG. 2 illustrates a right side view thereof;
FIG. 3 illustrates a left side view thereof;
FIG. 4 illustrates a front view thereof;
FIG. 5 illustrates a rear view thereof;
FIG. 6 illustrates a top view thereof; and,
FIG. 7 illustrates a bottom view thereof.
The broken line in the drawings represent unclaimed environmental subject matter and form no part of the claim.

1 Claim, 7 Drawing Sheets



(56)

References Cited

U.S. PATENT DOCUMENTS

2001/0045105 A1* 11/2001 Takessian A44C 25/00
63/29.1
2002/0134107 A1* 9/2002 Meguro A44C 25/00
63/26

OTHER PUBLICATIONS

3 Stone Diamond Necklace Pendant (available online) Retrieved from the internet Nov. 6, 2017, retrieved from URL: <https://www.fascinatingdiamonds.com/jewelry/diamond-necklace-with-white-diamond-in-14k-yellow-gold/3-stone-gold-diamond-necklace-for-women/26%E2%80%A6>.*

Round Cut 3 Stone Diamond Necklace (available online) Retrieved from the internet Nov. 6, 2017, retrieved from URL: <https://www.fashionislandjewelers.com/shop/necklaces/round-cut-3-stone-diamond-necklace>.*

Three Stone Bezel Set Diamond Pendant Necklace (available online) Retrieved from the internet Nov. 6, 2017, retrieved from URL: <https://www.allurez.com/necklaces-and-pendants/diamond-necklaces-and-pendants/three-stone-bezel-set-diamond-pendant-necklace-14k-white-gold-%E2%80%A61/4>.*

* cited by examiner

Fig. 1

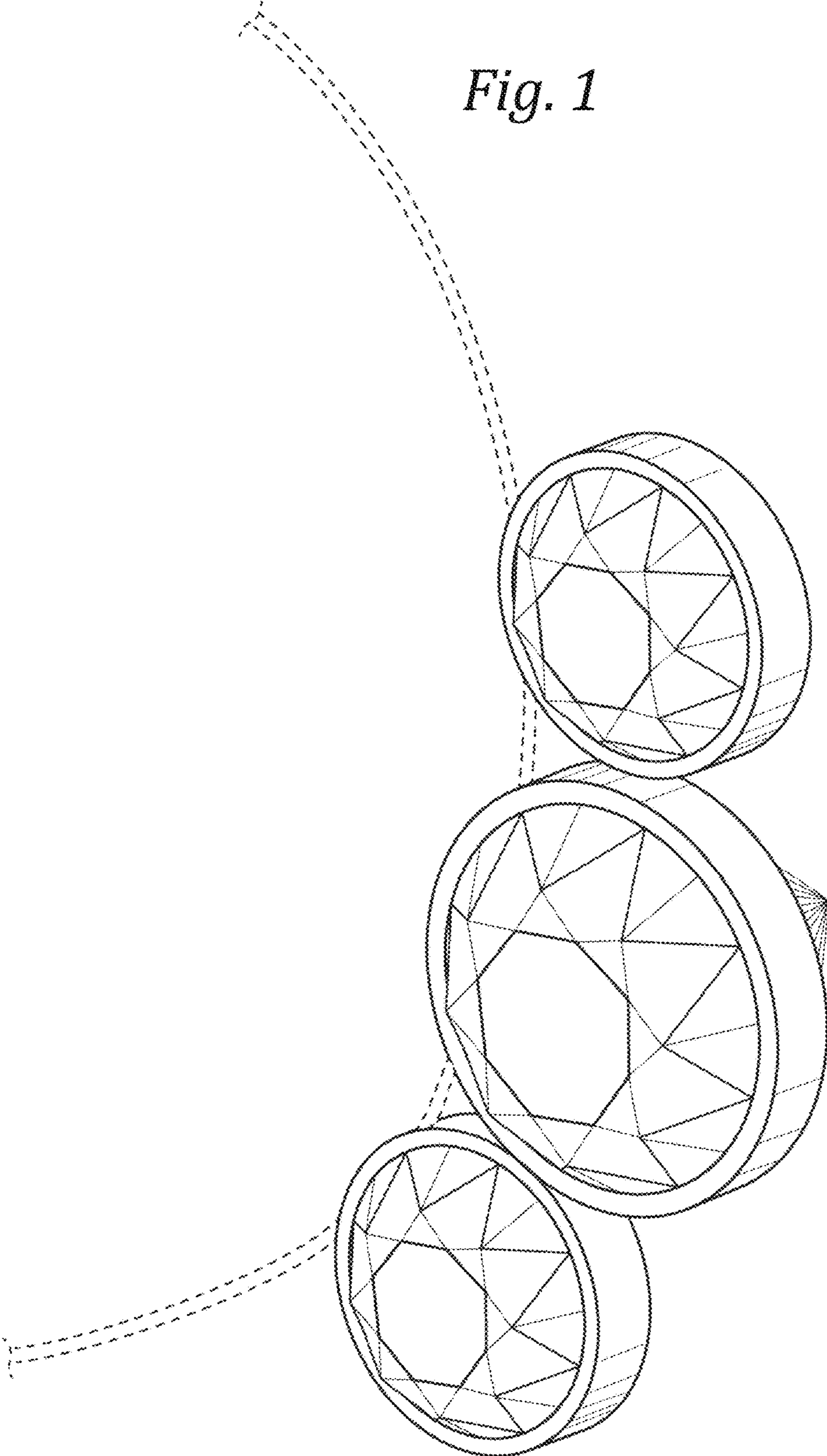


Fig. 2

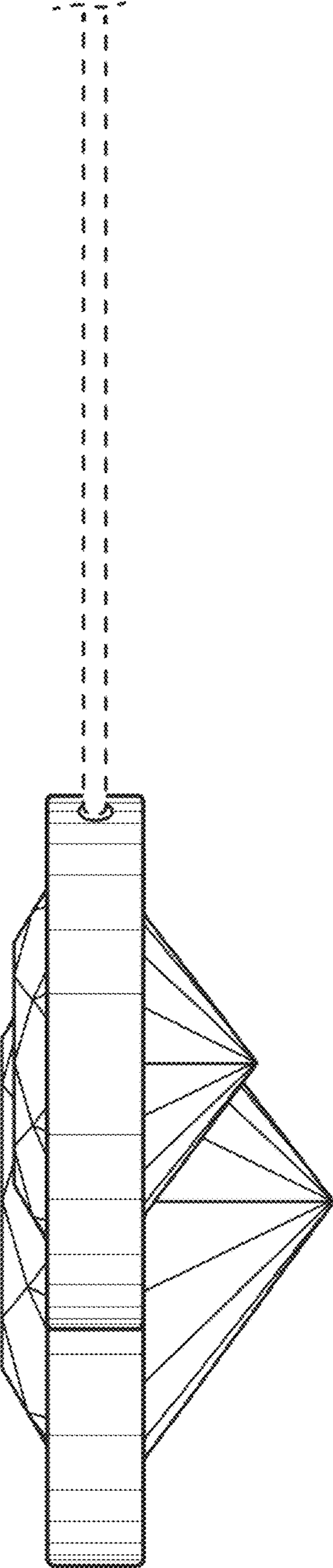


Fig. 3

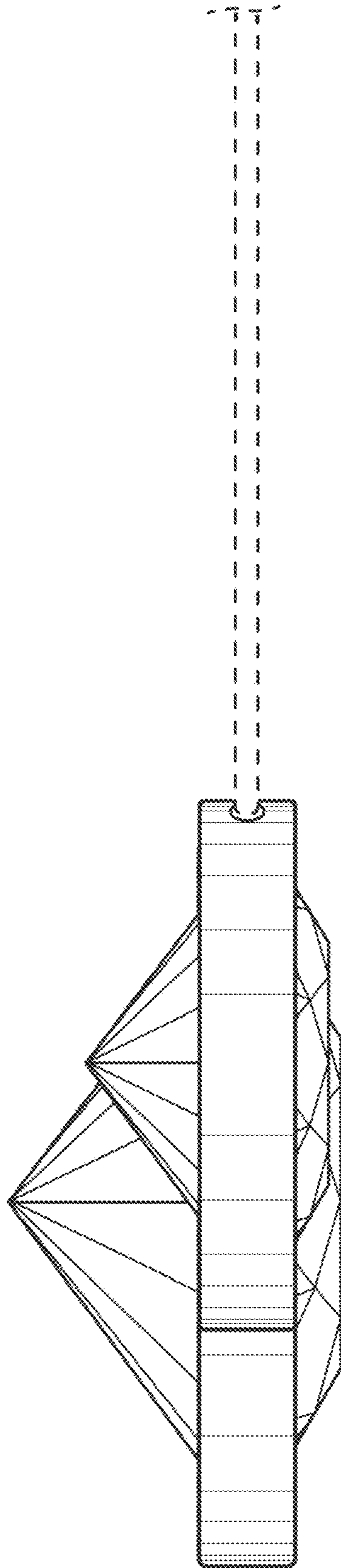


Fig. 4

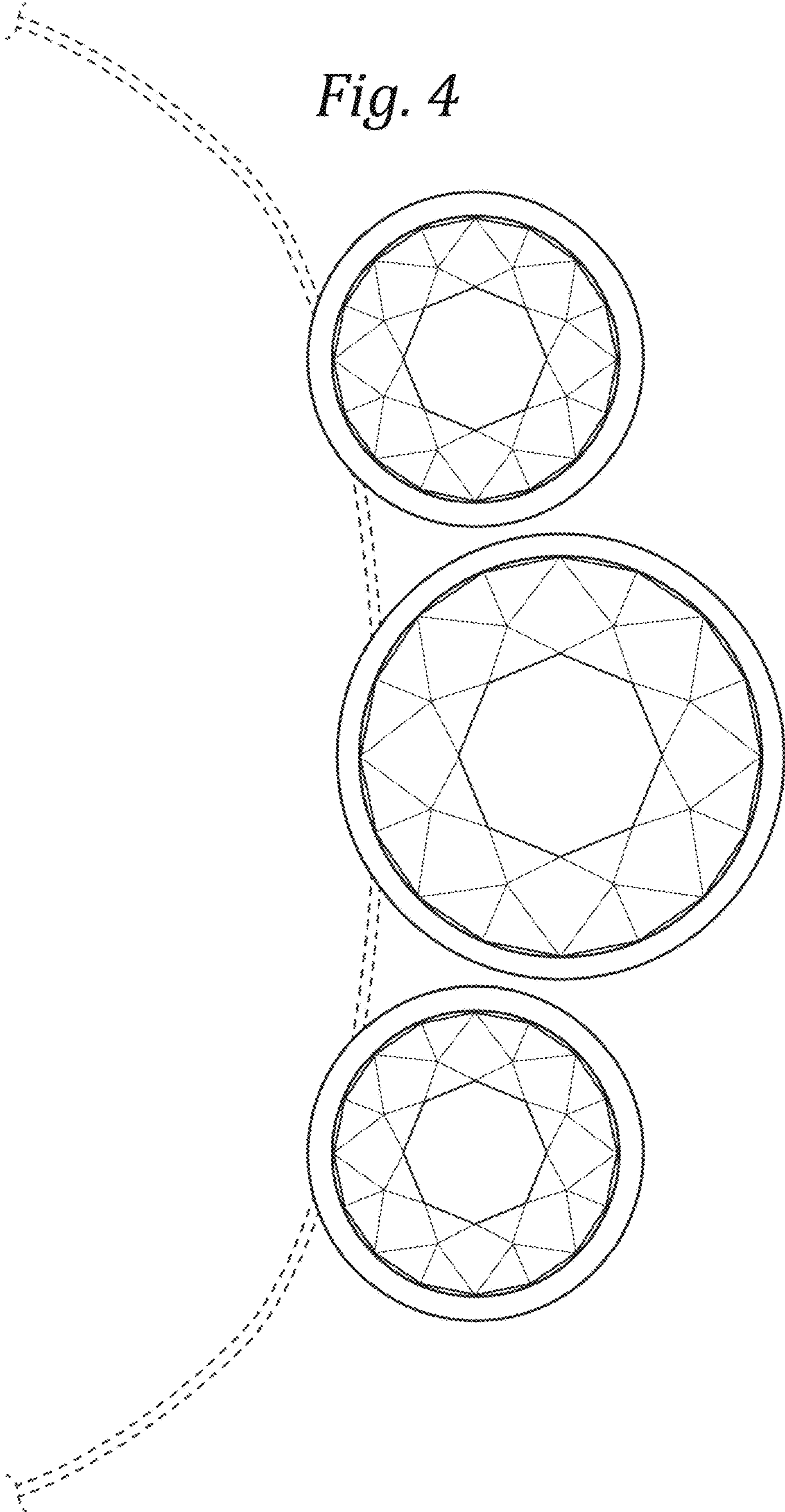


Fig. 5

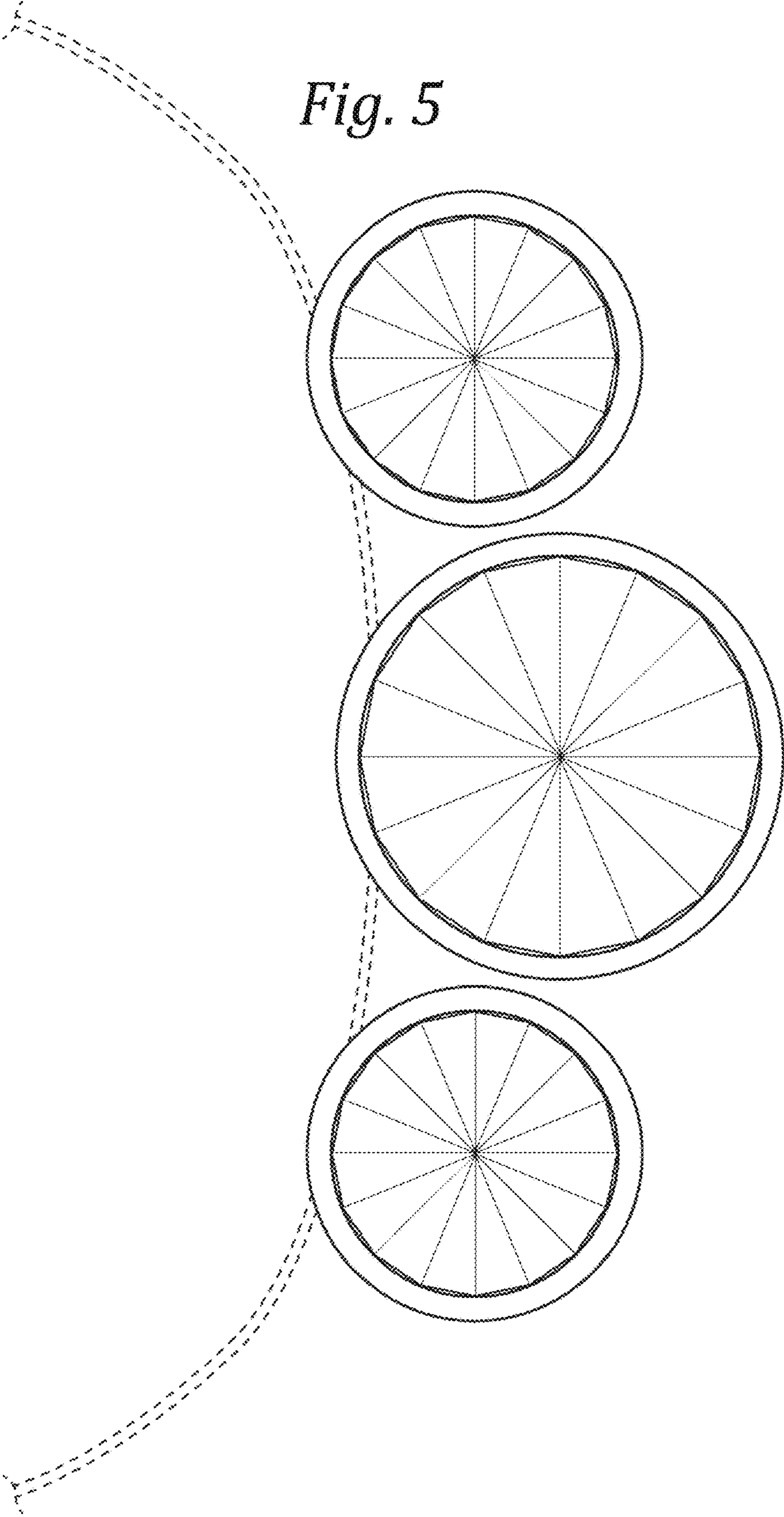


Fig. 6

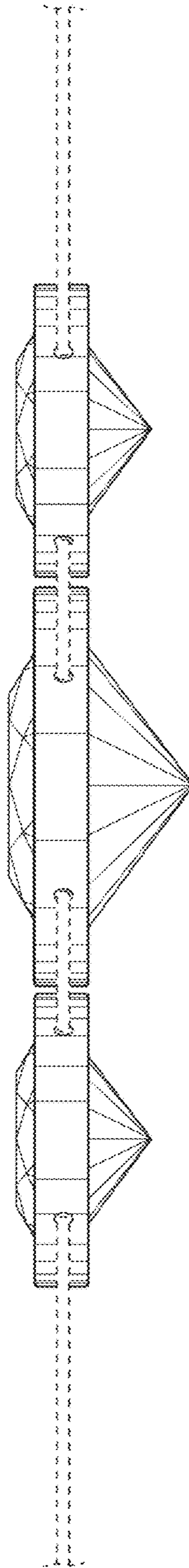


Fig. 7

